

(12) INTERNATIONAL APPLICATION PUBLISHED UNDER THE PATENT COOPERATION TREATY (PCT)

(19) World Intellectual Property Organization  
International Bureau



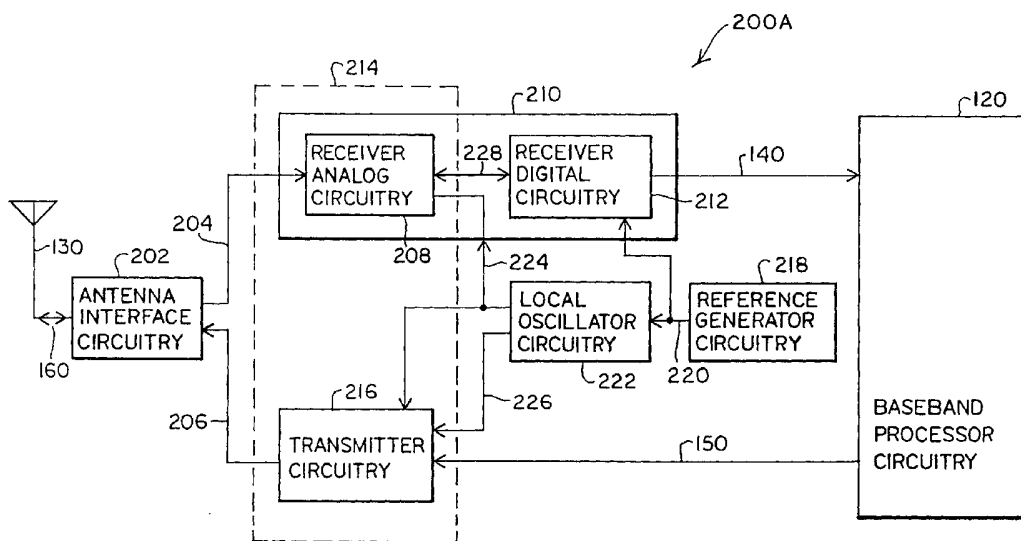
(43) International Publication Date  
18 July 2002 (18.07.2002)

PCT

(10) International Publication Number  
WO 02/056487 A3

- (51) International Patent Classification<sup>7</sup>: H04B 1/16, 1/40, 1/28, 15/04
- (74) Agent: PETERSON, Maximilian, R.; O'KEEFE, EGAN & PETERMAN, LLP, 1101 Capital of Tex. Hwy. So., Suite C-200, Austin, TX 78746 (US).
- (21) International Application Number: PCT/US02/00896
- (81) Designated States (national): AE, AG, AL, AM, AT, AU, AZ, BA, BB, BG, BR, BY, BZ, CA, CH, CN, CO, CR, CU, CZ, DE, DK, DM, DZ, EC, EE, ES, FI, GB, GD, GE, GH, GM, HR, HU, ID, IL, IN, IS, JP, KE, KG, KP, KR, KZ, LC, LK, LR, LS, LT, LU, LV, MA, MD, MG, MK, MN, MW, MX, MZ, NO, NZ, OM, PH, PL, PT, RO, RU, SD, SE, SG, SI, SK, SL, TJ, TM, TN, TR, TT, TZ, UA, UG, UZ, VN, YU, ZA, ZM, ZW.
- (22) International Filing Date: 10 January 2002 (10.01.2002)
- (25) Filing Language: English
- (26) Publication Language: English
- (30) Priority Data:  
60/261,506 12 January 2001 (12.01.2001) US  
60/273,119 2 March 2001 (02.03.2001) US  
09/821,342 29 March 2001 (29.03.2001) US  
09/821,340 29 March 2001 (29.03.2001) US
- (84) Designated States (regional): ARIPO patent (GH, GM, KE, LS, MW, MZ, SD, SL, SZ, TZ, UG, ZM, ZW), Eurasian patent (AM, AZ, BY, KG, KZ, MD, RU, TJ, TM), European patent (AT, BE, CH, CY, DE, DK, ES, FI, FR, GB, GR, IE, IT, LU, MC, NL, PT, SE, TR), OAPI patent (BF, BJ, CF, CG, CI, CM, GA, GN, GQ, GW, ML, MR, NE, SN, TD, TG).
- (71) Applicant: SILICON LABORATORIES INC. [US/US]; 4635 Boston Lane, Austin, TX 78735 (US).
- (72) Inventors: KERTH, Donald, A.; 1002 Elm Street, Austin, TX 78701 (US). BEHRENS, Richard, T.; 2477 Ginny Way, Lafayette, CO 80026 (US). SCOTT, Jeffrey, W.; 10904 Beacham Court, Austin, TX 78739 (US). VISHAKHADATTA, G., Diwakar; 3903 Idlewild Road, Austin, TX 78731 (US). TUTTLE, G., Tyson; 4305 Avenue D, Austin, TX 78751 (US). SRINIVASAN, Vishnu, Shankar; 5356 Magdalena Drive, Austin, TX 78735 (US).
- Published:  
— with international search report
- (88) Date of publication of the international search report: 6 March 2003
- For two-letter codes and other abbreviations, refer to the "Guidance Notes on Codes and Abbreviations" appearing at the beginning of each regular issue of the PCT Gazette.

(54) Title: PARTITIONED RADIO-FREQUENCY APPARATUS AND ASSOCIATED METHODS



(57) Abstract: Radio-frequency (RF) apparatus includes receiver analog circuitry that receives an RF signal and provides at least one digital signal to receiver digital circuitry that functions in cooperation with the receiver analog circuitry. The receiver analog circuitry and the receiver digital circuitry are partitioned so that interference effects between the receiver analog circuitry and the receiver digital circuitry tend to be reduced.

WO 02/056487 A3

INTERNATIONAL SEARCH REPORT

International Application No  
PCT/US 02/00896

A. CLASSIFICATION OF SUBJECT MATTER  
IPC 7 H04B1/16 H04B1/40 H04B1/28 H04B15/04

According to International Patent Classification (IPC) or to both national classification and IPC

B. FIELDS SEARCHED

Minimum documentation searched (classification system followed by classification symbols)  
IPC 7 H04B

Documentation searched other than minimum documentation to the extent that such documents are included in the fields searched

Electronic data base consulted during the international search (name of data base and, where practical, search terms used)  
EPO-Internal, WPI Data, PAJ

C. DOCUMENTS CONSIDERED TO BE RELEVANT

Category °	Citation of document, with indication, where appropriate, of the relevant passages	Relevant to claim No.
X	US 5 859 878 A (DIRNDORFER WALTER M ET AL) 12 January 1999 (1999-01-12)	1-9, 11, 12, 18-20, 28, 29, 36
Y	column 4, line 60 -column 6, line 15	13, 14, 16, 17
A	column 13, line 36 -column 18, line 54; figures 1, 4A, 4B	10, 15, 21-27, 30-35, 37-54
	-/--	

Further documents are listed in the continuation of box C.

Patent family members are listed in annex.

° Special categories of cited documents:

- \*A\* document defining the general state of the art which is not considered to be of particular relevance
- \*E\* earlier document but published on or after the international filing date
- \*L\* document which may throw doubts on priority claim(s) or which is cited to establish the publication date of another citation or other special reason (as specified)
- \*O\* document referring to an oral disclosure, use, exhibition or other means
- \*P\* document published prior to the international filing date but later than the priority date claimed

- \*T\* later document published after the international filing date or priority date and not in conflict with the application but cited to understand the principle or theory underlying the invention
- \*X\* document of particular relevance; the claimed invention cannot be considered novel or cannot be considered to involve an inventive step when the document is taken alone
- \*Y\* document of particular relevance; the claimed invention cannot be considered to involve an inventive step when the document is combined with one or more other such documents, such combination being obvious to a person skilled in the art.
- \* & \* document member of the same patent family

Date of the actual completion of the international search

26 September 2002

Date of mailing of the international search report

04/10/2002

Name and mailing address of the ISA

European Patent Office, P.B. 5818 Patentlaan 2  
NL - 2280 HV Rijswijk  
Tel. (+31-70) 340-2040, Tx. 31 651 epo nl,  
Fax: (+31-70) 340-3016

Authorized officer

Andersen, J.G.



# INTERNATIONAL SEARCH REPORT

Information on patent family members

International Application No

PCT/US 02/00896

Patent document cited in search report	Publication date	Patent family member(s)	Publication date
US 5859878	A	12-01-1999	AU 714567 B2 06-01-2000
			AU 6913896 A 19-03-1997
			CA 2230560 A1 06-03-1997
			EP 0847631 A1 17-06-1998
			WO 9708843 A2 06-03-1997

---