



US00D726302S

(12) **United States Design Patent**
Hanna

(10) **Patent No.:** **US D726,302 S**

(45) **Date of Patent:** **** Apr. 7, 2015**

(54) **SUCTION CONSOLE**

(75) Inventor: **Stephen Hanna**, Norwalk, OH (US)

(73) Assignee: **Gyrus ACMI, Inc.**, Southborough, MA (US)

(**) Term: **14 Years**

(21) Appl. No.: **29/430,647**

(22) Filed: **Aug. 28, 2012**

(51) **LOC (10) Cl.** **24-01**

(52) **U.S. Cl.**
USPC **D24/108; D24/107**

(58) **Field of Classification Search**
USPC D24/107, 108, 110, 110.5, 111, 185,
D24/232; 604/19, 27, 35, 131
See application file for complete search history.

(56) **References Cited**

U.S. PATENT DOCUMENTS

D277,603 S *	2/1985	D'Alo et al.	D24/111
D281,902 S *	12/1985	Loving et al.	D24/186
4,718,896 A *	1/1988	Arndt et al.	604/253
D306,758 S *	3/1990	Stanley	D24/111
D353,667 S *	12/1994	Tsubota et al.	D24/111

D380,546 S *	7/1997	Clegg et al.	D24/111
D669,575 S *	10/2012	Ebert et al.	D24/108
D705,424 S *	5/2014	Yarbrough	D24/144

* cited by examiner

Primary Examiner — Barbara Fox

Assistant Examiner — Lilyana Bekic

(74) *Attorney, Agent, or Firm* — Vivacqua Law, PLLC; Eric Kurtycz

(57) **CLAIM**

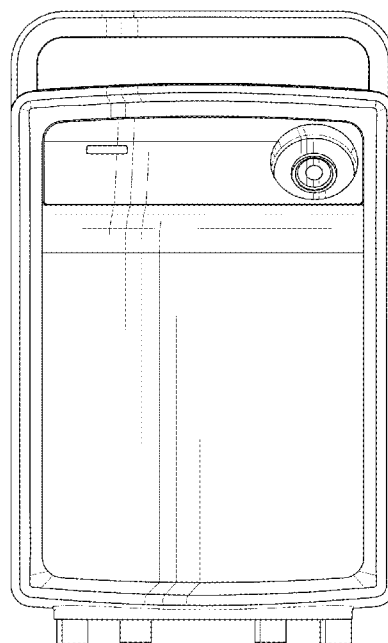
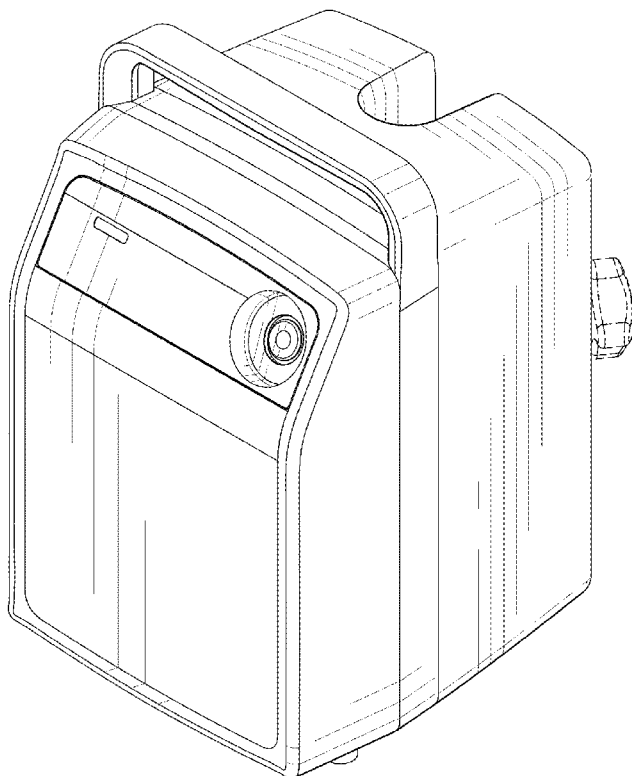
The ornamental design for a suction console, as shown and described.

DESCRIPTION

FIG. 1 is a side perspective view of the suction console, showing my new design; FIG. 2 is a front view thereof; FIG. 3 is a rear view thereof; FIG. 4 is a top view thereof; FIG. 5 is a bottom view thereof; FIG. 6 is a left side view thereof; and, FIG. 7 is a right side view thereof.

The broken lines are included for the purpose of illustrating environmental structure and form no part of the claimed design.

1 Claim, 5 Drawing Sheets



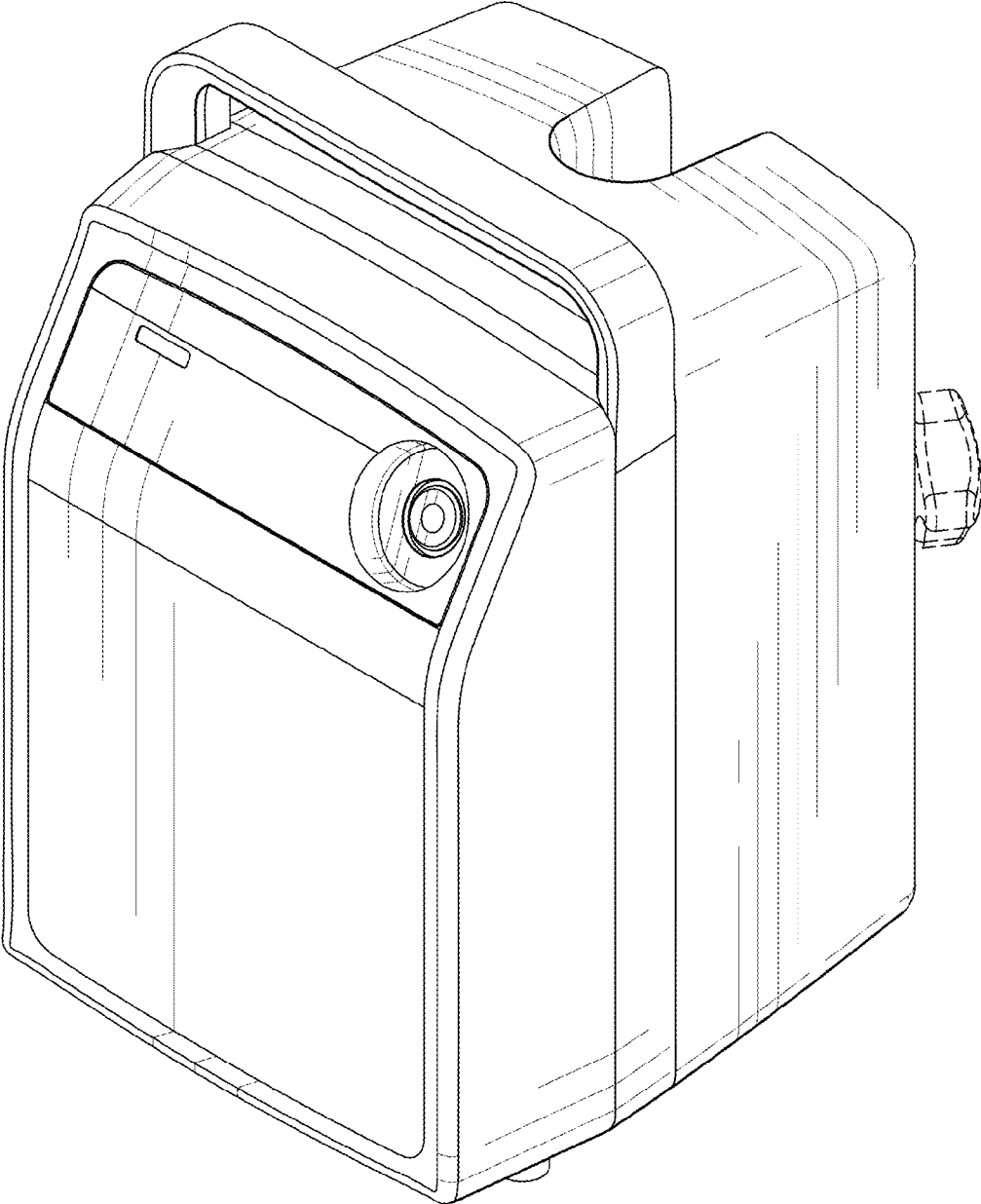


Fig-1

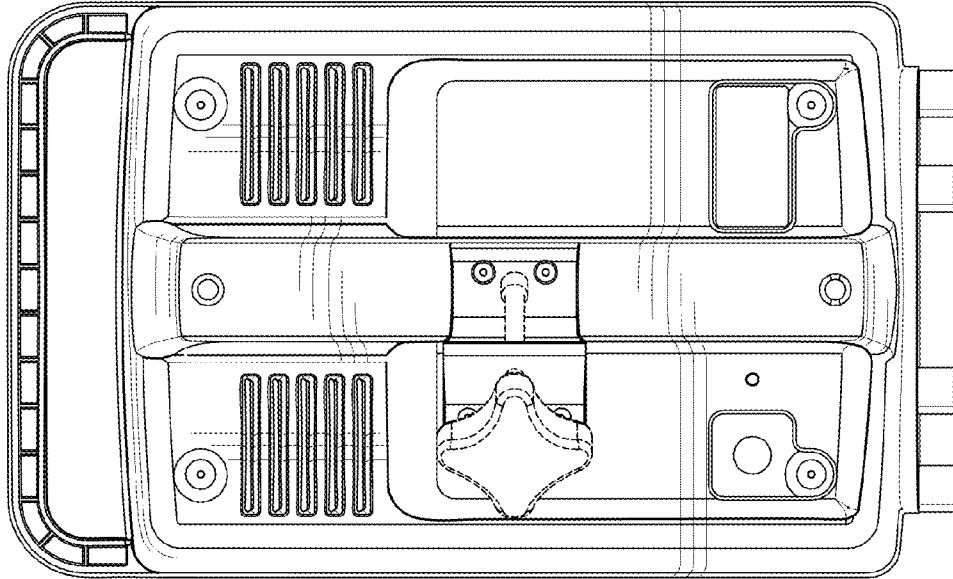


Fig-3

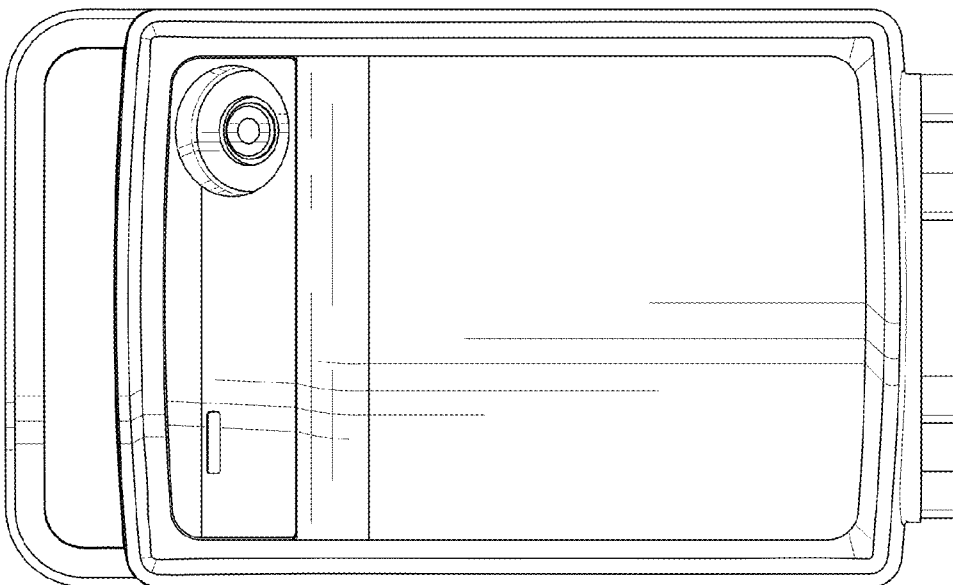


Fig-2

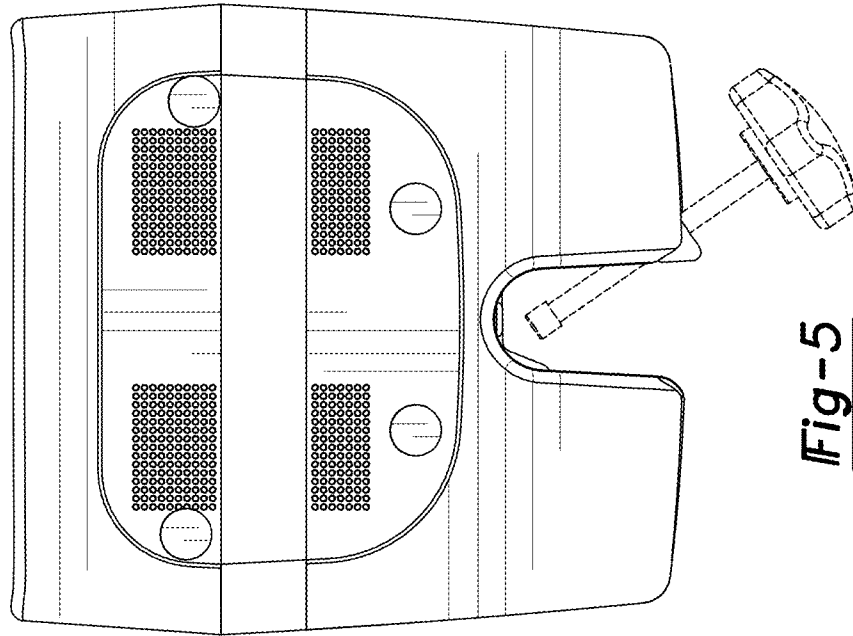


Fig-5

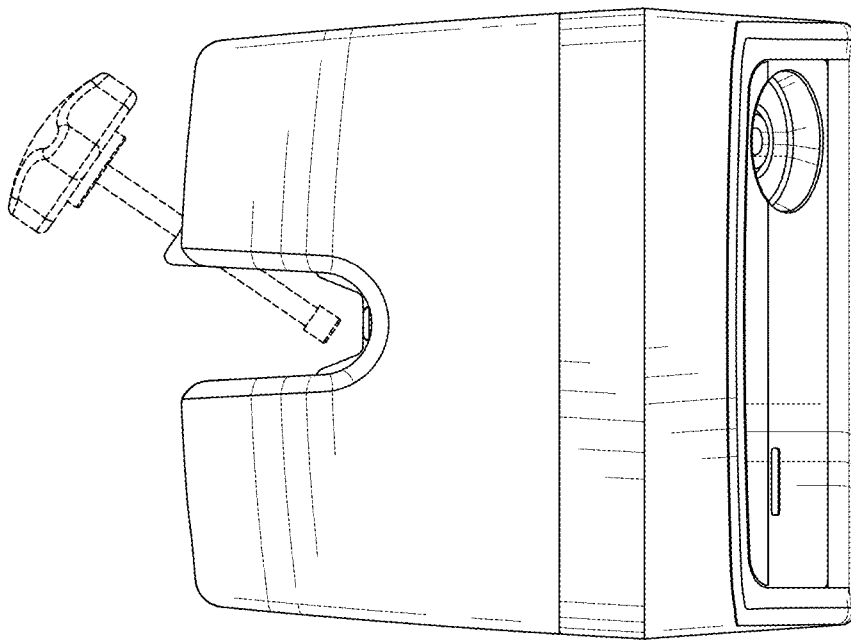


Fig-4

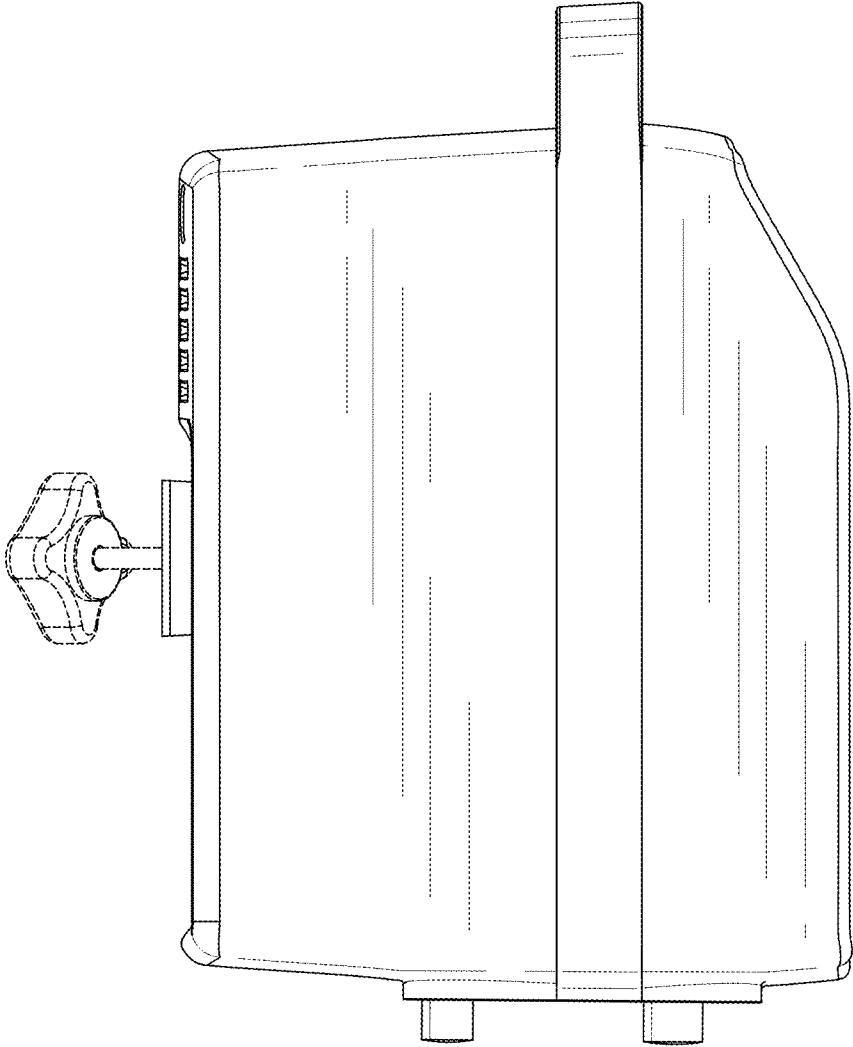


Fig-6

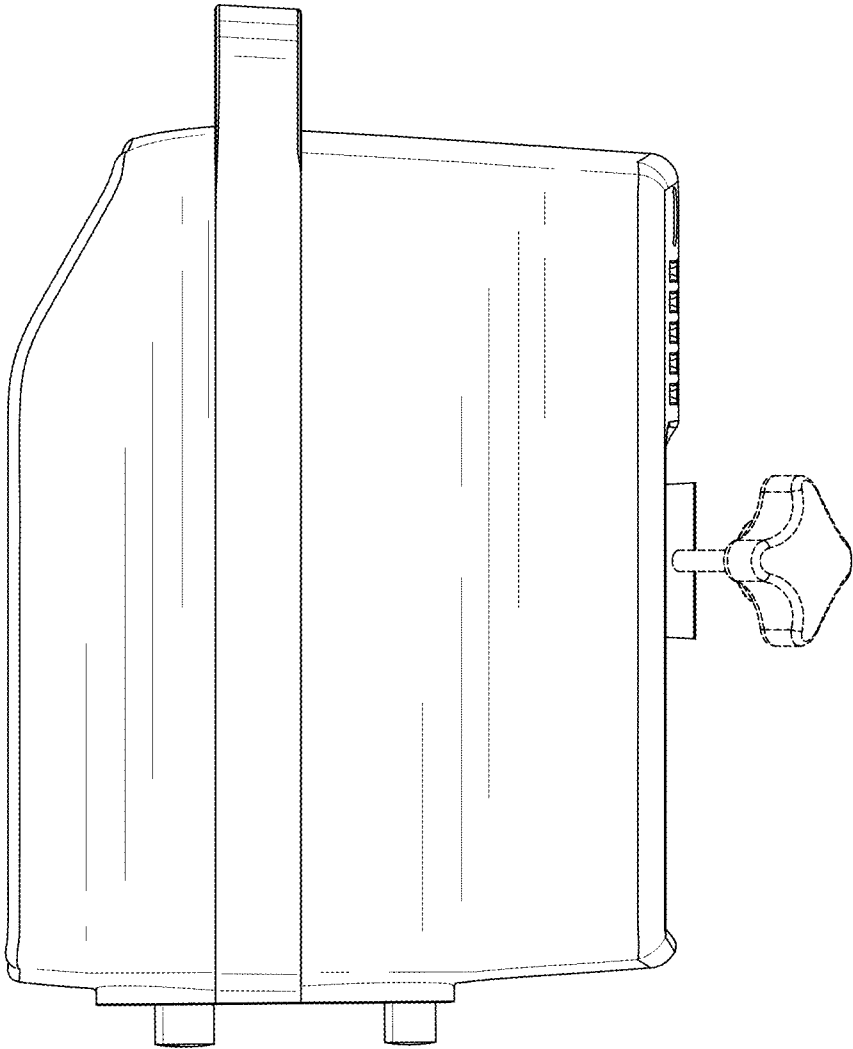


Fig-7