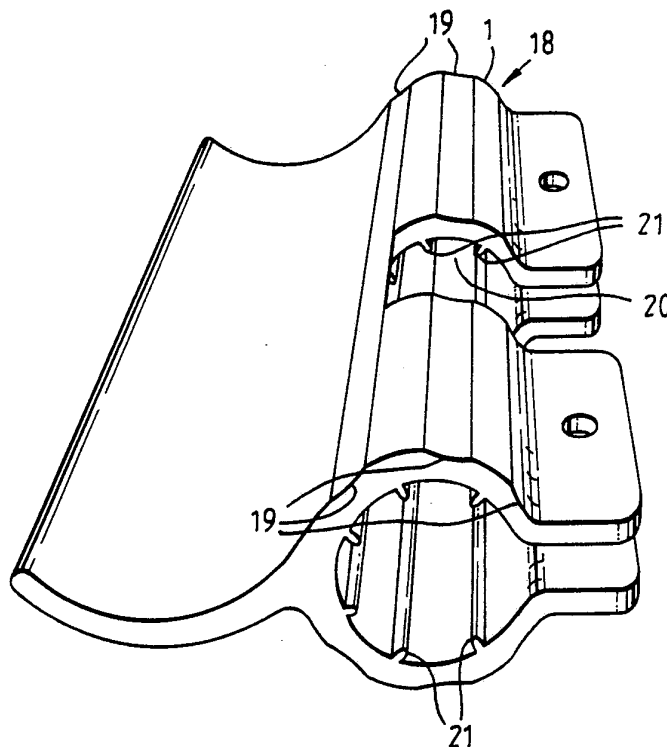




INTERNATIONAL APPLICATION PUBLISHED UNDER THE PATENT COOPERATION TREATY (PCT)

<p>(51) International Patent Classification ⁵ : A01K 87/08</p>	<p>A1</p>	<p>(11) International Publication Number: WO 91/09518 (43) International Publication Date: 11 July 1991 (11.07.91)</p>
<p>(21) International Application Number: PCT/GB91/00016 (22) International Filing Date: 4 January 1991 (04.01.91) (30) Priority data: 9000141.3 4 January 1990 (04.01.90) GB 9021050.1 27 September 1990 (27.09.90) GB (71)(72) Applicant and Inventor: ASHMAN, Austin, Howard [GB/GB]; Flat D, 369 Hurst Road, West Molesey, Surrey KT8 9QW (GB). (81) Designated States: AT (European patent), AU, BE (European patent), CA, CH (European patent), DE (European patent), DK (European patent), ES (European patent), FR (European patent), GB, GB (European patent), GR (European patent), IT (European patent), JP, LU (European patent), NL (European patent), NO, SE (European patent), US.</p>		<p>Published <i>With international search report. Before the expiration of the time limit for amending the claims and to be republished in the event of the receipt of amendments.</i></p>

(54) Title: FISHING ROD AND/OR ATTACHEMENT FOR A FISHING ROD



(57) Abstract

In a fishing rod the butt includes a generally tubular portion (10) with a longitudinal flange (12) extending substantially radially therefrom, said flange (12) having a curvature about an axis substantially parallel to the axis of said tubular portion (10) the tubular portion (10) having a substantially greater length than diameter and the flange (12) having a substantially greater longitudinal than transverse dimension, whereby, in use of the fishing rod, the flange (12) engages the forearm of the angler. Preferably, the tubular portion (10) and flange (12) form an attachment that can be fitted to the butt of an existing fishing rod.

FOR THE PURPOSES OF INFORMATION ONLY

Codes used to identify States party to the PCT on the front pages of pamphlets publishing international applications under the PCT.

AT	Austria	ES	Spain	MG	Madagascar
AU	Australia	FI	Finland	ML	Mali
BB	Barbados	FR	France	MN	Mongolia
BE	Belgium	GA	Gabon	MR	Mauritania
BF	Burkina Faso	GB	United Kingdom	MW	Malawi
BG	Bulgaria	GN	Guinea	NL	Netherlands
BJ	Benin	GR	Greece	NO	Norway
BR	Brazil	HU	Hungary	PL	Poland
CA	Canada	IT	Italy	RO	Romania
CF	Central African Republic	JP	Japan	SD	Sudan
CG	Congo	KP	Democratic People's Republic of Korea	SE	Sweden
CH	Switzerland	KR	Republic of Korea	SN	Senegal
CI	Côte d'Ivoire	LI	Liechtenstein	SU	Soviet Union
CM	Cameroon	LK	Sri Lanka	TD	Chad
CS	Czechoslovakia	LU	Luxembourg	TG	Togo
DE	Germany	MC	Monaco	US	United States of America
DK	Denmark				

FISHING ROD AND/OR ATTACHMENT FOR A FISHING ROD

This invention relates to a fishing rod and/or an attachment that can be fitted to the butt of a fishing rod in order to support the forearm of the angler.

According to the invention the butt of a fishing rod includes a generally tubular portion with a flange extending substantially radially, therefrom, said flange having a curvature about an axis substantially parallel to the axis of said tubular portion.

The tubular portion may be formed as an integral part of a single piece butt of the fishing rod or for ease of fabrication may comprise one section of a multipiece butt. Preferably, however, it is formed as a separate attachment to be fitted to the butt of an existing fishing rod.

When formed as a separate attachment, the tubular portion may be a push fit over the butt of the fishing rod but preferably it is provided with means for allowing it to be tightly clamped to the butt. The tubular portion, for example, may have a longitudinal slot and be provided with means, such as pinch bolts or the like, to close the slot to tighten the tubular portion around the butt.

Preferably, the tubular portion has longitudinal score lines on one, and preferably both of its inner and outer surfaces to provide added flexibility and to enable it to fit more closely to fishing rod butts of a range of diameter and also to conform to butts that are not of circular section or are not of constant diameter along their length.

The tubular portion may be lined with resilient material such

as rubber or a plastics foam material to prevent the tubular portion from damaging the butt of the fishing rod.

The major advantage of providing a separate attachment is that it allows the angler to fish with either arm since the attachment can be attached to the rod with the flange extending on either side of the butt.

The flange portion provides a rest for the forearm of the angler and will be suitably curved and dimensioned to achieve this aim.

Use of the device of the invention on a fishing rod provides added control of the rod since it reduces the chance of relative movement between the rod and the arm of the angler, allows a more positive feel and balance and allows a more solid strike and hold on heavy fish because the weight of the fish at the tip of the rod is more controlled because the arm movements of the angler are transmitted to a rod at two spaced apart points, the point where the angler grips the rod with his hand and the point where his forearm rests on the flanged portion of the attachment.

The invention will now be described in greater detail by way of example with reference to the drawings, in which:-

Fig. 1 is a perspective view of one form of attachment according to the invention;

Fig. 2 is a section on line 2-2 on Fig. 1

Fig.3 shows the attachment in use;

Fig. 4 is a section of a second form of attachment; and Fig. 5

is a perspective view of a third form of attachment.

Referring to Figs. 1 and 2 the attachment of the invention comprises a generally tubular portion 10 having a longitudinal slot 15. Extending from the edges of slot 15 on each side thereof are flanges 11 that are drilled to receive pinch bolts 14 allowing the edges of the slot to be drawn together to adjust the internal diameter of the tubular portion 10 so as to clamp the tubular section to the butt of a fishing rod. As shown in Figs. 1 and 2 an arcuate central portion of the tubular portion 10 has been removed to allow differential adjustment of the internal dimensions of the tubular portion on tightening of pinch bolts 14 on either side of the segment to accommodate a fishing rod butt that is not of constant dimensions along its length. Tubular portion 10 has a lining 13 of resilient material.

Extending substantially radially of tubular portion 10 is a flange 12 extending the whole length of tubular portion 10. The flange 12 is curved about an axis parallel to the axis of the tubular portion 10 to accommodate the forearm of an angler as shown in Fig.3.

As shown in Fig.4, the tubular portion 10 may be formed with longitudinal score lines or notches 17, preferably on both its inner and outer surfaces, to provide added flexibility of the tubular portion. This also allows the tubular portion 10 to be tightened to different diameters at different points adjacent length without having to provide a cut-out central portion 16 thus making the attachment easier to manufacture.

As shown in Fig. 5 the outer surface 18 of the tubular portion 10 is formed with a plurality of spaced shallow longitudinal grooves 19. On the internal surface 20 of tubular portion 10

are a plurality of longitudinal ribs 21, the ribs 21 being positioned centrally between adjacent grooves 19.

The attachment may be made of any desired material but is preferably made of aluminium or an aluminium alloy or a suitable plastics material, especially polypropylene. The attachment may be formed as a continuous extrusion and cut to length and machined as necessary.

Suitable dimensions for the attachment of the invention that allow the attachment to be used with a variety of commercial makes of fishing rod and suit the majority of anglers are

Length of tubular portion 10 and flange 12	90mm
Width of flange 12	50mm
Relaxed internal diameter of tubular portion 10	38mm

Similar dimensions are appropriate when the invention is built into a fishing rod butt.

CLAIMS

1. A fishing rod wherein the butt includes a generally tubular portion with a longitudinal flange extending substantially radially, therefrom, said flange having a curvature about an axis substantially parallel to the axis of said tubular portion the tubular portion having a substantially greater length than diameter and the flange having a substantially greater longitudinal than transverse dimension, whereby, in use of the fishing rod, the flange engages the forearm of the angler.
2. A fishing rod according to claim 1, wherein the tubular portion is formed as an integral part of a single piece butt.
3. A fishing rod according to claim 1, wherein the tubular portion comprises one section of a multipiece butt.
4. A fishing rod according to claim 1, wherein the tubular portion forms part of a separate attachment to be fitted to the butt of an existing fishing rod.
5. A fishing rod according to claim 4, wherein the tubular portion is provided with means for allowing it to be tightly clamped to the butt.
6. A fishing rod according to claim 5, wherein the tubular portion has a longitudinal slot and is provided with means, such as pinch bolts or the like, to close the slot to tighten the tubular portion around the butt.
7. A fishing rod according to claim 5 or claim 6, wherein the tubular portion has longitudinal score lines on one, and preferably both, of its inner and outer surfaces.

8. A fishing rod according to claim 5 or claim 6, wherein the tubular portion has a plurality of spaced shallow longitudinal grooves on its outer surface and a plurality of spaced longitudinal ribs on its inner surface.

9. A fishing rod according to anyone of claims 4 to 8, wherein the tubular portion is lined with resilient material to prevent the tubular portion from damaging the butt of the fishing rod.

10. An attachment for a fishing rod comprising a generally tubular portion arranged to be fitted to the butt of the fishing rod, the tubular portion having a longitudinal flange extending generally radially of the rod, said flange having a curvature about an axis substantially parallel to the axis of the tubular portion, which flange in use, engages with the forearm of an angler.

1/2

Fig. 1

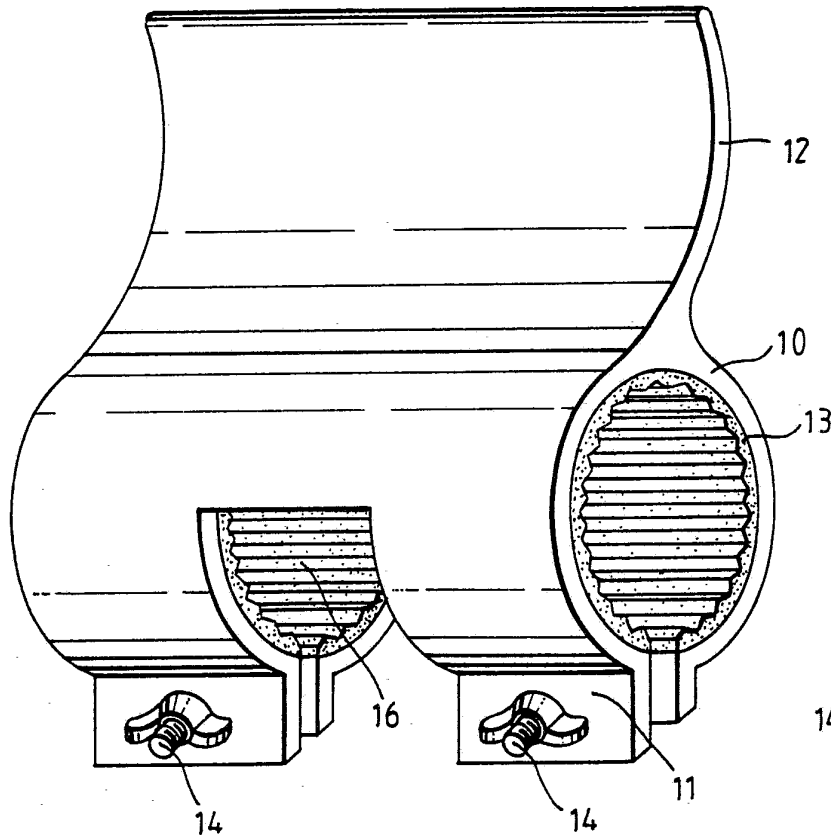


Fig. 2

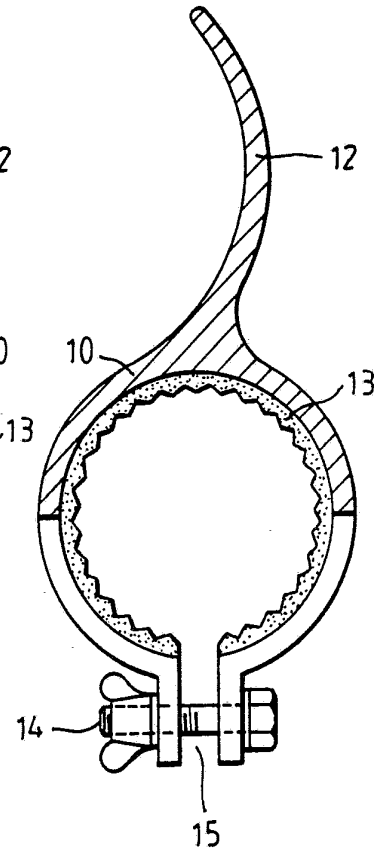
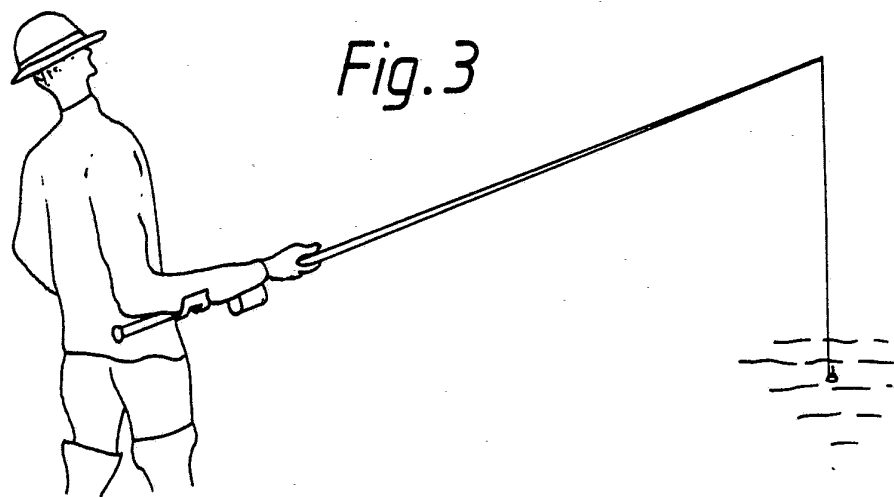
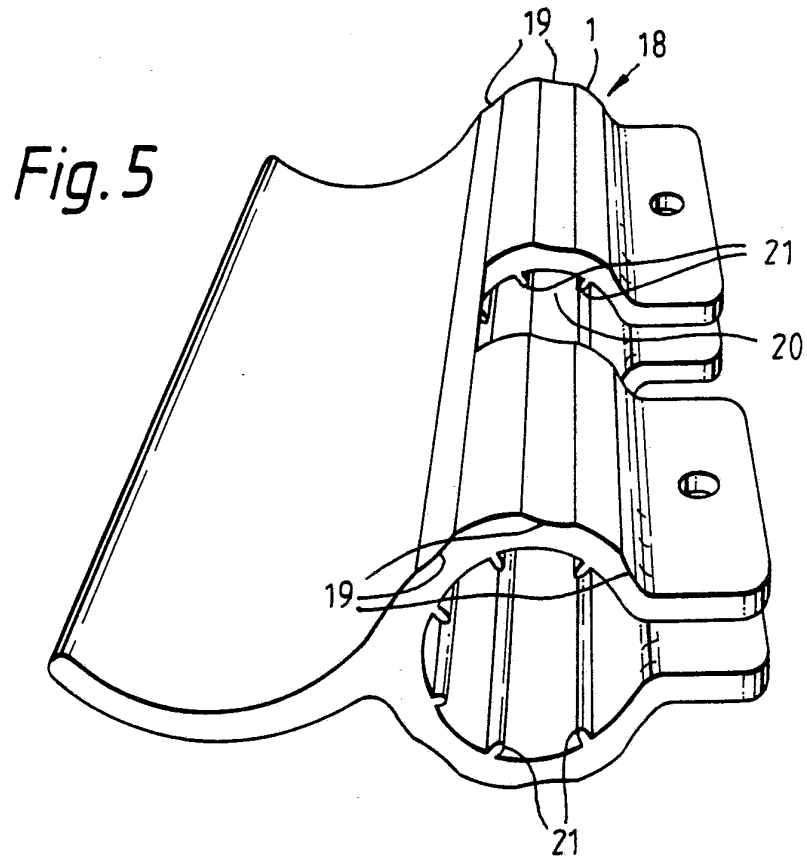
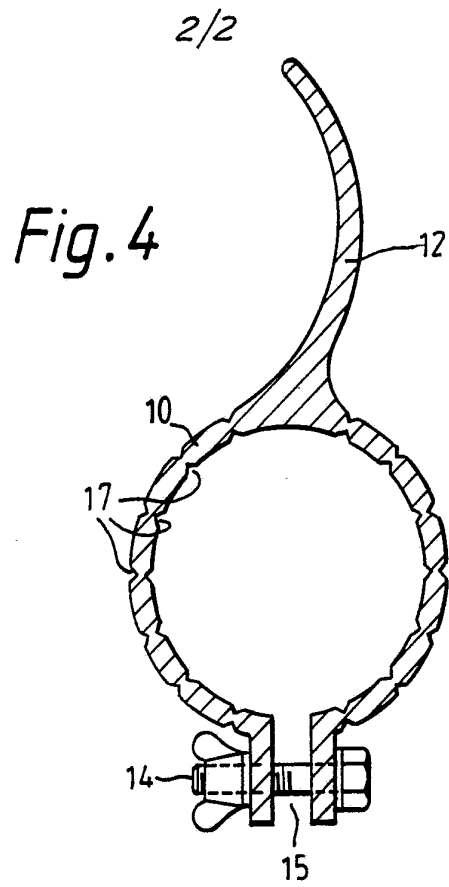


Fig. 3

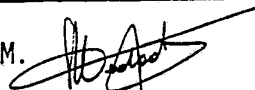




INTERNATIONAL SEARCH REPORT

International Application No

PCT/GB 91/00016

I. CLASSIFICATION OF SUBJECT MATTER (if several classification symbols apply, indicate all) ⁶		
According to International Patent Classification (IPC) or to both National Classification and IPC		
Int.Cl. 5	A01K87/08	
II. FIELDS SEARCHED		
Minimum Documentation Searched ⁷		
Classification System	Classification Symbols	
Int.Cl. 5	A01K	
Documentation Searched other than Minimum Documentation to the Extent that such Documents are Included in the Fields Searched ⁸		
III. DOCUMENTS CONSIDERED TO BE RELEVANT⁹		
Category ^o	Citation of Document, ¹¹ with indication, where appropriate, of the relevant passages ¹²	Relevant to Claim No. ¹³
X	US,A,4 014 129 (CAPRA) March 29, 1977 see the whole document ---	1-6,10
X	US,A,4 190 977 (CASPER) March 4, 1980 see the whole document ---	1,4,5,6, 10
X	FR,A,1 553 055 (SERRA) January 10, 1969 see the whole document ---	1,4,5,6, 10
X	US,A,3 367 056 (JOHNSON) February 6, 1968 see the whole document ---	1,4,5,6, 10
X	US,A,2 244 408 (THOMPSON) June 3, 1941 see the whole document ---	1,4,5,6, 10
	-/--	
<p>^o Special categories of cited documents : ¹⁰</p> <p>"A" document defining the general state of the art which is not considered to be of particular relevance</p> <p>"E" earlier document but published on or after the international filing date</p> <p>"L" document which may throw doubts on priority claim(s) or which is cited to establish the publication date of another citation or other special reason (as specified)</p> <p>"O" document referring to an oral disclosure, use, exhibition or other means</p> <p>"P" document published prior to the international filing date but later than the priority date claimed</p> <p>"T" later document published after the international filing date or priority date and not in conflict with the application but cited to understand the principle or theory underlying the invention</p> <p>"X" document of particular relevance; the claimed invention cannot be considered novel or cannot be considered to involve an inventive step</p> <p>"Y" document of particular relevance; the claimed invention cannot be considered to involve an inventive step when the document is combined with one or more other such documents, such combination being obvious to a person skilled in the art.</p> <p>"&" document member of the same patent family</p>		
IV. CERTIFICATION		
Date of the Actual Completion of the International Search	Date of Mailing of this International Search Report	
15 APRIL 1991	17.05.91	
International Searching Authority	Signature of Authorized Officer	
EUROPEAN PATENT OFFICE	VERDOODT S.J.M. 	

III. DOCUMENTS CONSIDERED TO BE RELEVANT (CONTINUED FROM THE SECOND SHEET)		
Category °	Citation of Document, with indication, where appropriate, of the relevant passages	Relevant to Claim No.
A	US,A,2 149 837 (BROWNE) March 7, 1939 ---	
A	US,A,3 372 510 (ARSENAULT) March 12, 1968 ---	
A	US,A,3 372 509 (ARSENAULT) March 12, 1968 ---	

**ANNEX TO THE INTERNATIONAL SEARCH REPORT
ON INTERNATIONAL PATENT APPLICATION NO.**

GB 9100016

SA 43646

This annex lists the patent family members relating to the patent documents cited in the above-mentioned international search report.
The members are as contained in the European Patent Office EDP file on
The European Patent Office is in no way liable for these particulars which are merely given for the purpose of information. 15/04/91

Patent document cited in search report	Publication date	Patent family member(s)	Publication date
US-A-4014129	29-03-77	None	
US-A-4190977	04-03-80	None	
FR-A-1553055	10-01-69	None	
US-A-3367056		None	
US-A-2244408		None	
US-A-2149837		None	
US-A-3372510		None	
US-A-3372509		None	