



US0D1023930S

(12) **United States Design Patent**
Chen

(10) **Patent No.:** **US D1,023,930 S**

(45) **Date of Patent:** **** Apr. 23, 2024**

(54) **WIRELESS CHARGING BRACKET**

(71) Applicant: **HaiWen Chen**, Guangdong (CN)

(72) Inventor: **HaiWen Chen**, Guangdong (CN)

(73) Assignee: **Shenzhen south China yingcal technology co. LTD**, Shenzhen (CN)

(**) Term: **15 Years**

(21) Appl. No.: **29/816,868**

(22) Filed: **Nov. 25, 2021**

(51) **LOC (14) Cl.** **13-02**

(52) **U.S. Cl.**
USPC **D13/108**

(58) **Field of Classification Search**
USPC D13/103, 107, 108, 118, 119, 183,
D14/251, 252, 253, 432, 433, 434, 439,
D14/447
CPC H02J 7/0044; H02J 7/0045; H04B 1/3877
See application file for complete search history.

(56) **References Cited**

U.S. PATENT DOCUMENTS

D409,170	S	*	5/1999	Ota	D13/107
D442,141	S	*	5/2001	Ikenaga	D13/107
D610,084	S	*	2/2010	Christopher	D13/107
D685,322	S	*	7/2013	Szymanski	D13/108
D772,812	S	*	11/2016	Choe	D13/108
10,296,040	B2	*	5/2019	Park	H04R 3/00
D897,947	S	*	10/2020	Gong	D13/107
D905,633	S	*	12/2020	Yoon	D13/108
D946,515	S	*	3/2022	Zhang	D14/447
D953,976	S	*	6/2022	Su	D13/108
2013/0027871	A1	*	1/2013	Cheng	G06F 1/1632 361/679.41
2014/0097793	A1	*	4/2014	Wurtz	H02J 7/0044 320/108
2016/0064987	A1	*	3/2016	Sheu	H02J 7/0042 320/108

OTHER PUBLICATIONS

“Exuma Wireless Charger Stand”. Found online Apr. 18, 2023 at walmart.com. Reference dated Oct. 21, 2022. Retrieved from https://tineye.com/search/50c229e1b7e6189701f5ce8f1dc657a3e1537289?sort=score&order=desc&page=1. (Year: 2022).*

(Continued)

Primary Examiner — Kendra Leslie Hamilton
Assistant Examiner — Amanda Christensen

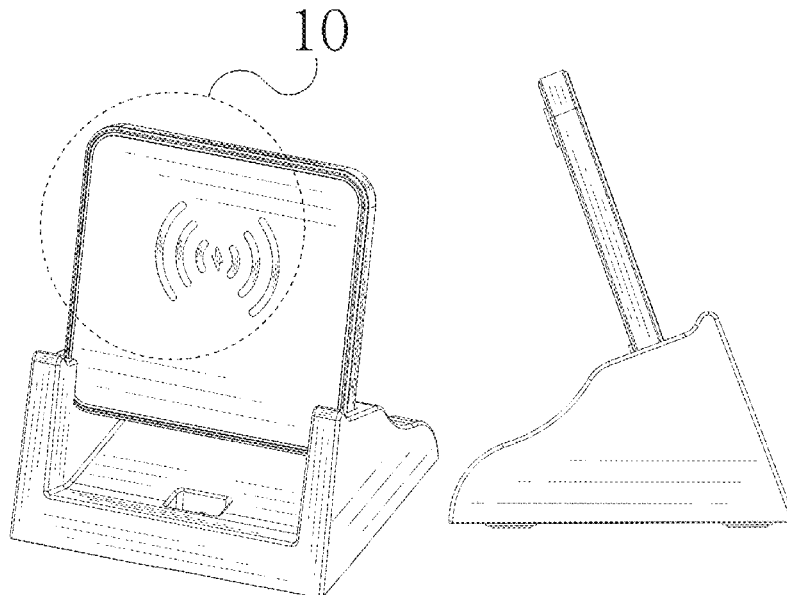
(57) **CLAIM**

The ornamental design for a wireless charging bracket, as shown and described.

DESCRIPTION

FIG. 1 is a perspective view of a wireless charging bracket showing my new design;
FIG. 2 is a front view thereof;
FIG. 3 is a rear view thereof;
FIG. 4 is a left side view thereof;
FIG. 5 is a right side view thereof;
FIG. 6 is a top view thereof;
FIG. 7 is a bottom view thereof;
FIG. 8 is a bottom side perspective view thereof;
FIG. 9 is a rear side perspective view thereof;
FIG. 10 is an enlarged detail view of area 10 shown in FIG. 1;
FIG. 11 is an enlarged detail view of area 11 shown in FIG. 8; and,
FIG. 12 is an enlarged detail view of area 12 shown in FIG. 9.
The broken lines in the drawings depict portions of the wireless charging bracket that form no part of the claimed design.

1 Claim, 12 Drawing Sheets



(56)

References Cited

OTHER PUBLICATIONS

“BoYata Case for MagSafe Charger”. Found online Jun. 14, 2022 at amazon.com. Reference dated Jan. 6, 2021. Retrieved from <https://www.amazon.com/Compatible-MagSafe-Designed-Magnetic-Wireless/dp/B08S6QCY54>. (Year: 2021).*

“FNSHIP Cell Phone Dock Stand Station”. Found online Apr. 6, 2021 at amazon.com. Reference dated Nov. 2, 2018. Retrieved from https://www.amazon.com/FNSHIP-Station-Desktop-Samsung-Eclipse/dp/B07K573RBR/ref=psdc_2407761011_t1_B07FM2DZGV. (Year: 2018).*

* cited by examiner

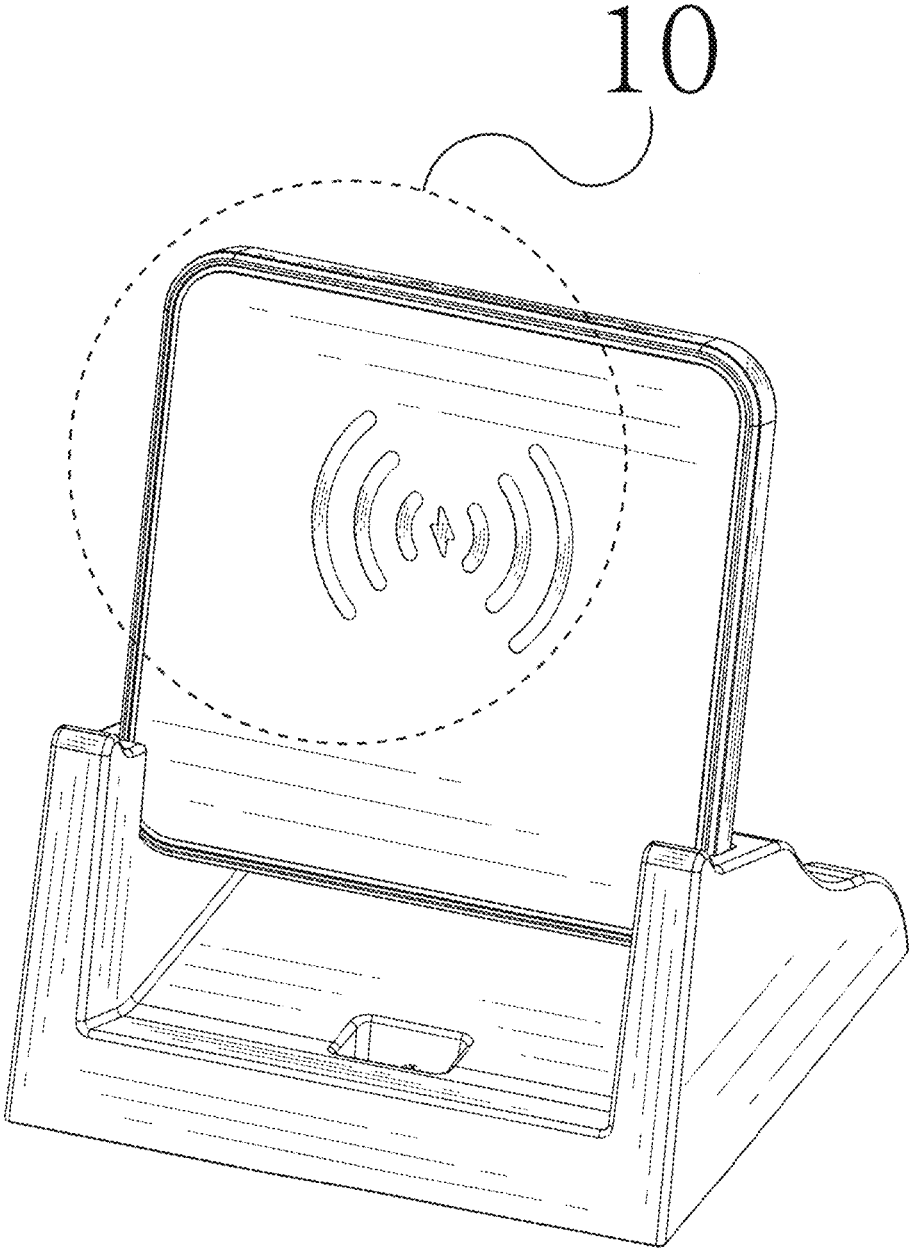


FIG.1

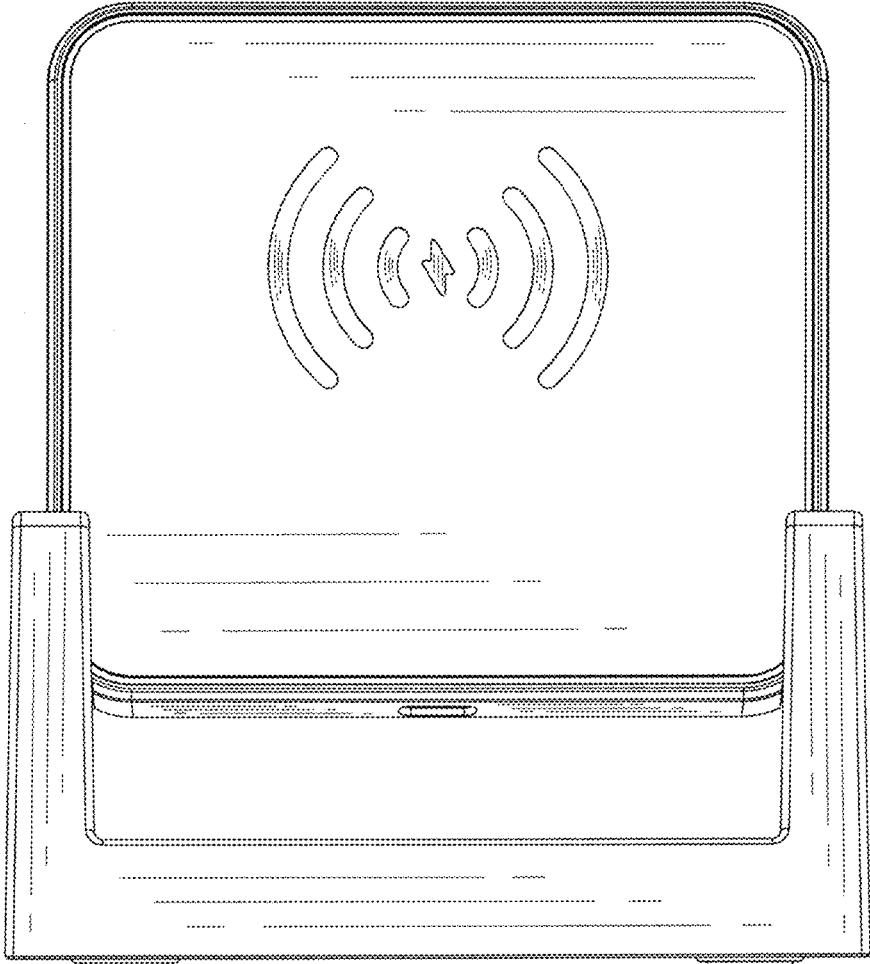


FIG.2

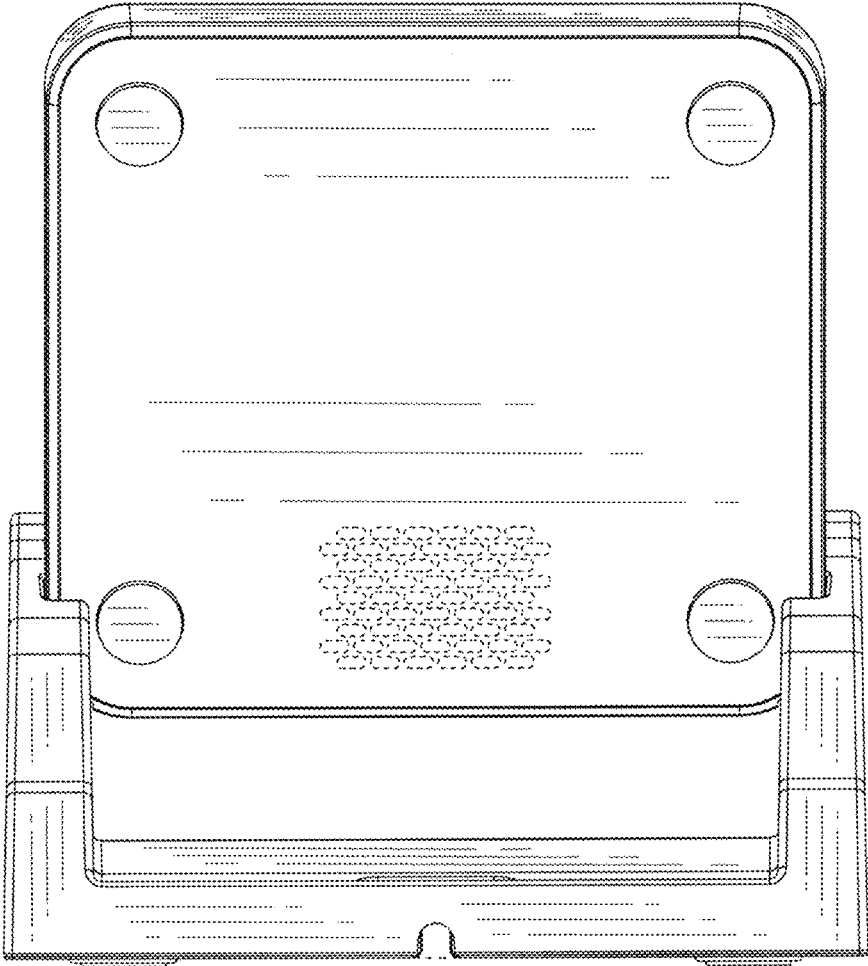


FIG.3

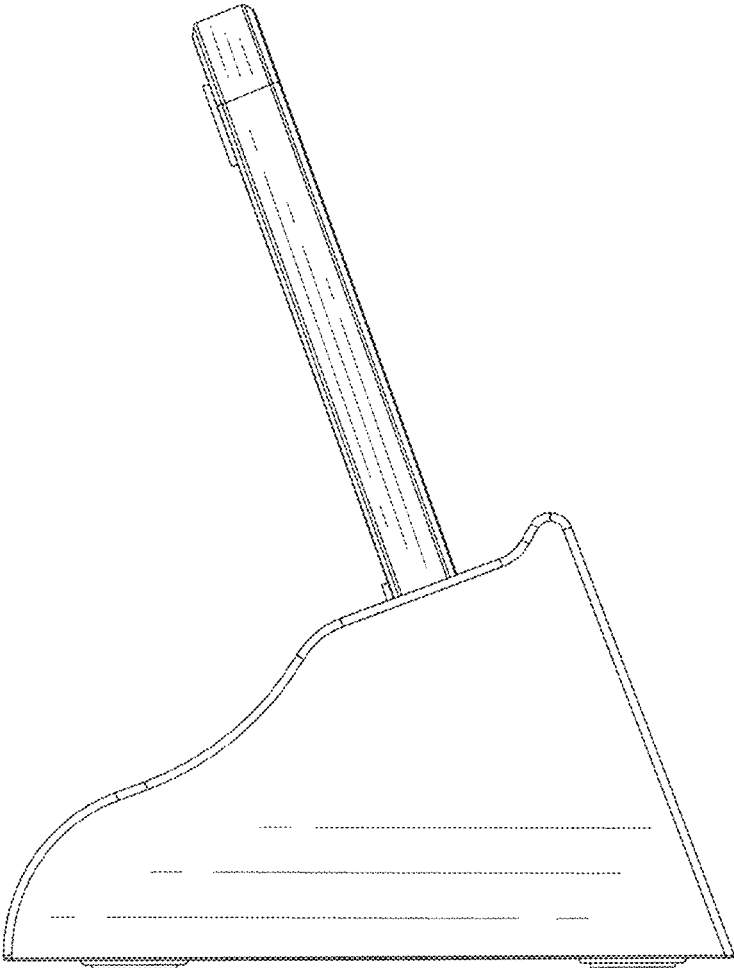


FIG.4

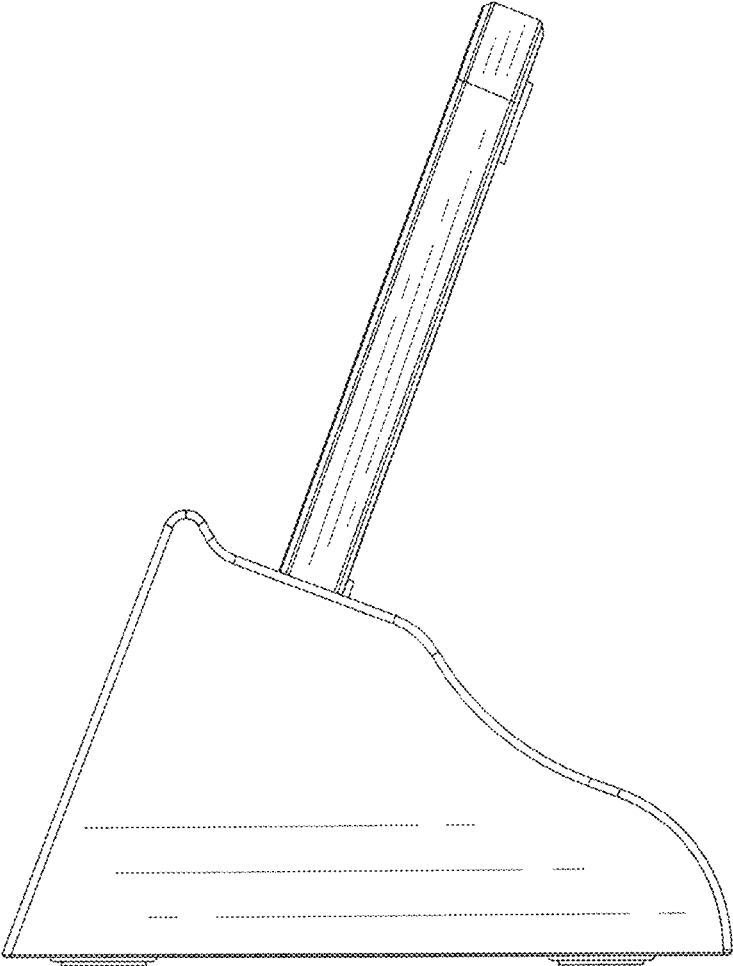


FIG.5

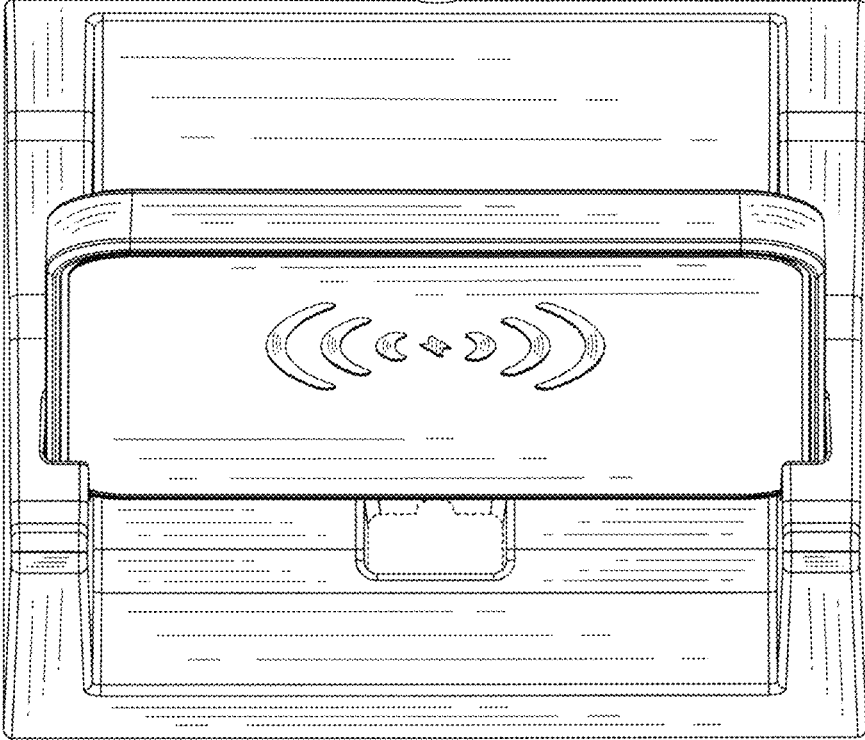


FIG.6

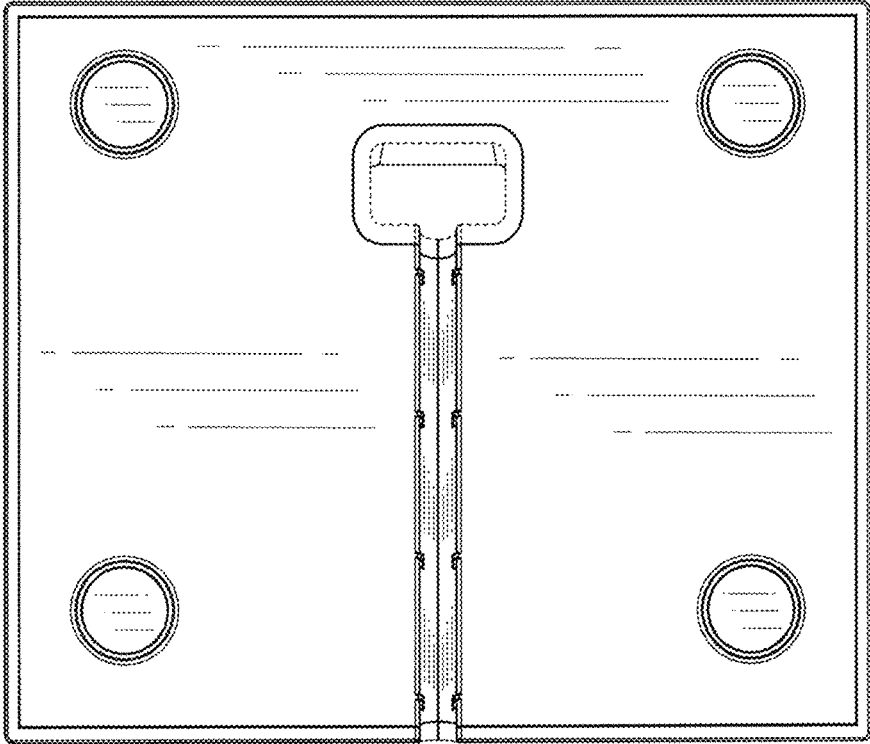


FIG.7

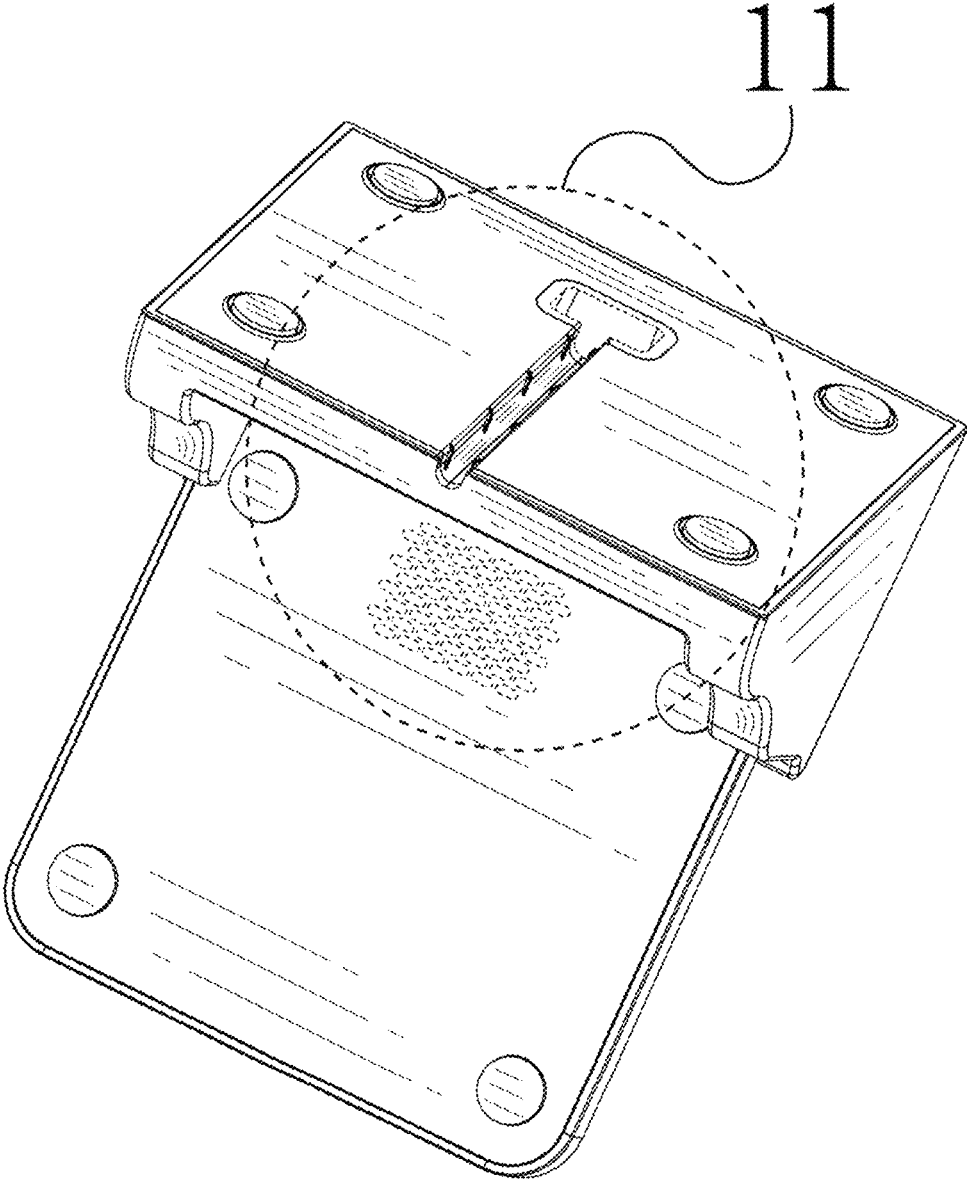


FIG.8

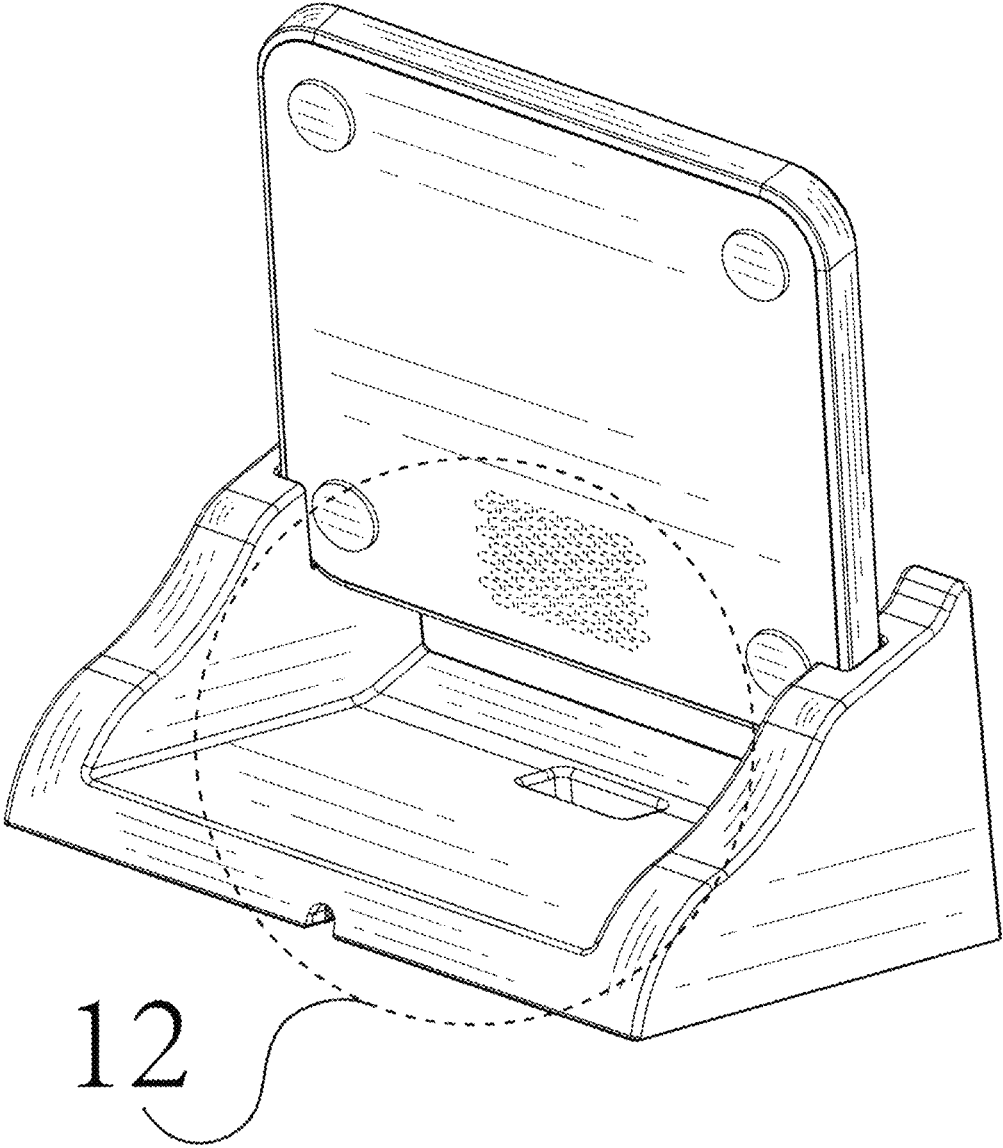


FIG.9

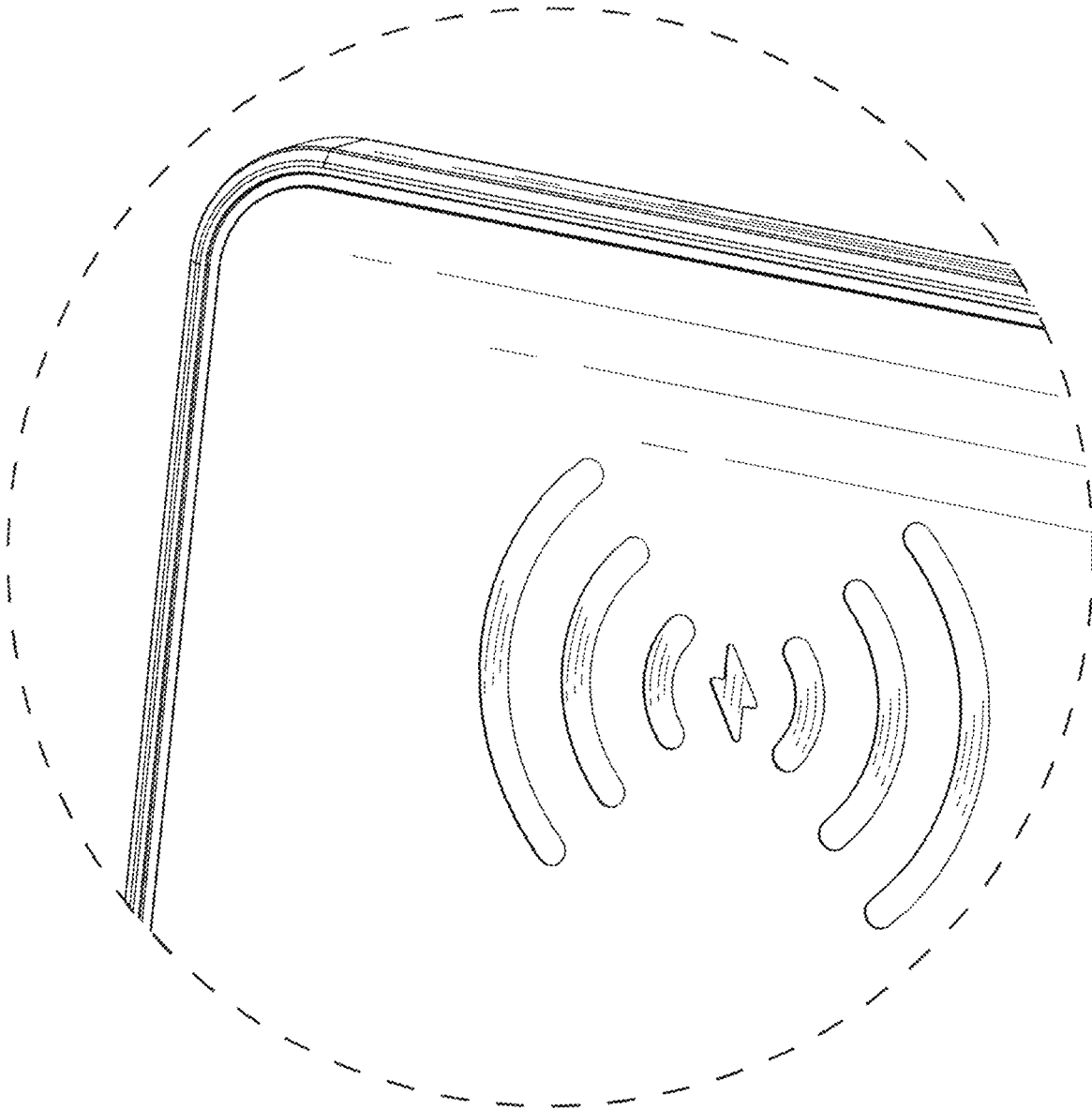


FIG.10

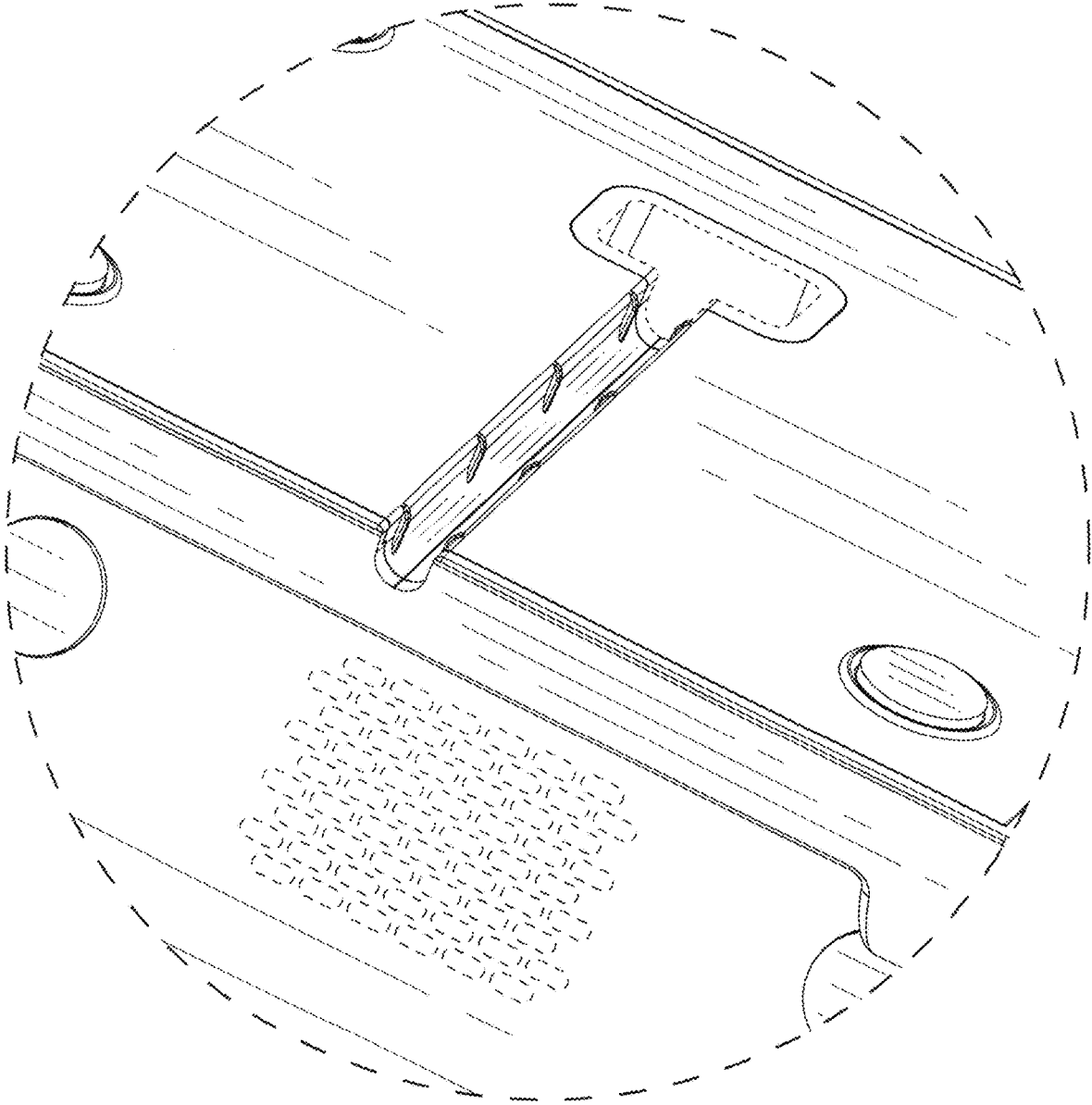


FIG. 11

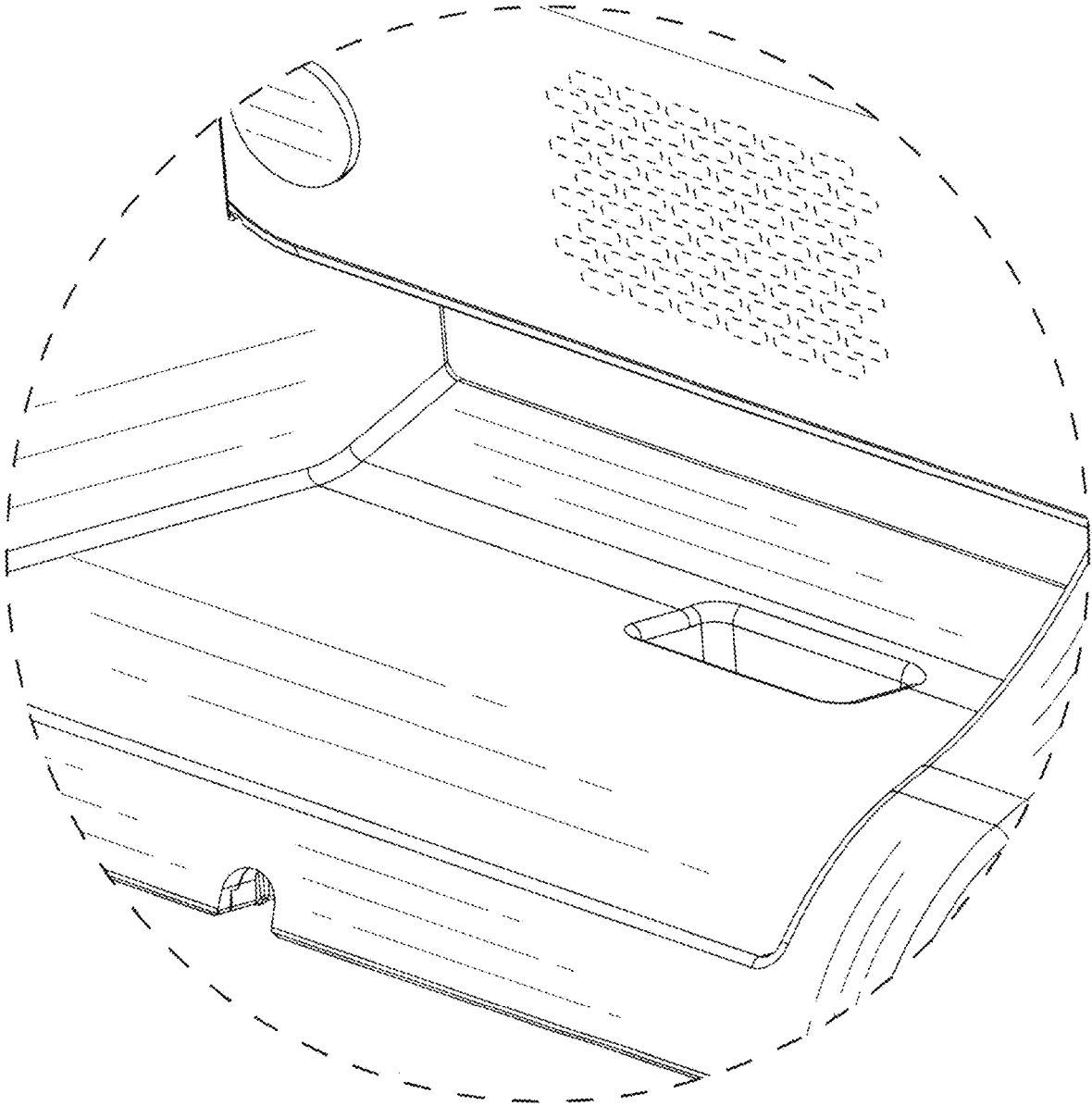


FIG.12