



US00D600763S

(12) **United States Design Patent**
Cameron

(10) **Patent No.:** **US D600,763 S**

(45) **Date of Patent:** **** Sep. 22, 2009**

(54) **PUTTER**

(75) Inventor: **Don T. Cameron**, Carlsbad, CA (US)

(73) Assignee: **Acushnet Golf**, Fairhaven, MA (US)

(**) Term: **14 Years**

(21) Appl. No.: **29/317,034**

(22) Filed: **Apr. 22, 2008**

(51) **LOC (9) Cl.** **21-02**

(52) **U.S. Cl.** **D21/759**

(58) **Field of Classification Search** D21/736-746,
D21/759; 473/324-331, 340-31

See application file for complete search history.

(56) **References Cited**

U.S. PATENT DOCUMENTS

922,444	A	*	5/1909	Youds	473/342
RE19,178	E	*	5/1934	Spiker	473/340
D364,666	S	*	11/1995	Nagy	D21/743
D385,609	S	*	10/1997	Cameron	D21/753
D389,207	S	*	1/1998	Cameron	D21/742
5,839,974	A	*	11/1998	McAllister	473/340
D437,374	S	*	2/2001	Cameron	D21/759
D512,116	S	*	11/2005	Miraflor et al.	D21/759
D543,601	S	*	5/2007	Kawami	D21/759
D555,219	S	*	11/2007	Lin	D21/759

D562,927	S	*	2/2008	Lin	D21/759
D576,698	S	*	9/2008	Cameron	D21/759
D583,886	S	*	12/2008	Cameron	D21/743

* cited by examiner

Primary Examiner—Mitchell I Siegel

(74) *Attorney, Agent, or Firm*—Kristin D. Wheeler

(57) **CLAIM**

The ornamental design for a putter, as shown and described.

DESCRIPTION

FIG. 1 is a toe side perspective view of a new putter having concave surfaces;

FIG. 2 is a back view thereof;

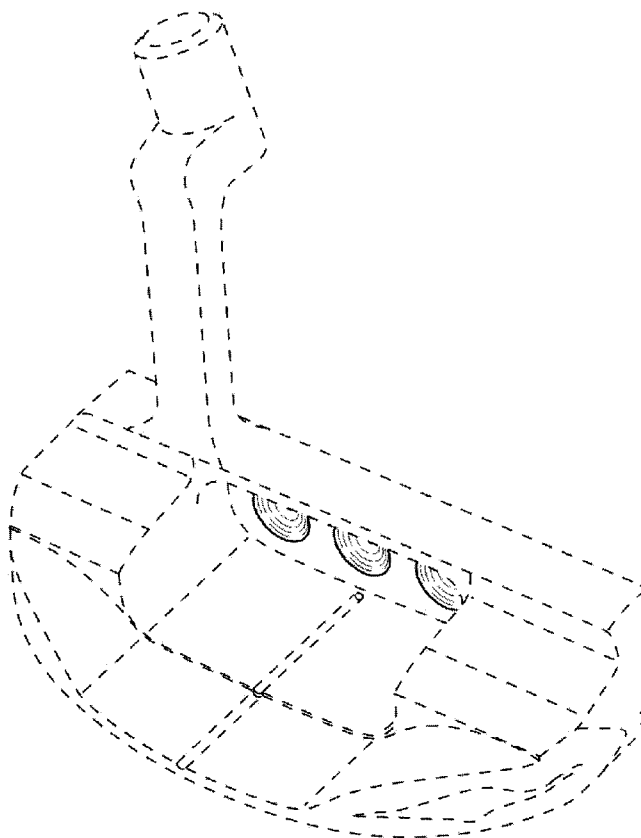
FIG. 3 is a cross-sectional of the putter of FIG. 2 taken along line 3—3 thereof illustrating a concave surface;

FIG. 4 is a toe side perspective view of another embodiment of the putter having concave surfaces being red; and,

FIG. 5 is a back view of the embodiment of FIG. 4.

The portion of the club head shown in phantom is for illustrative purposes only and does not form any portion of the claimed design. The vertical lines on the concave surfaces on the putter indicate the color red.

1 Claim, 2 Drawing Sheets



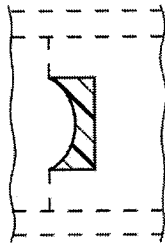


FIG. 3

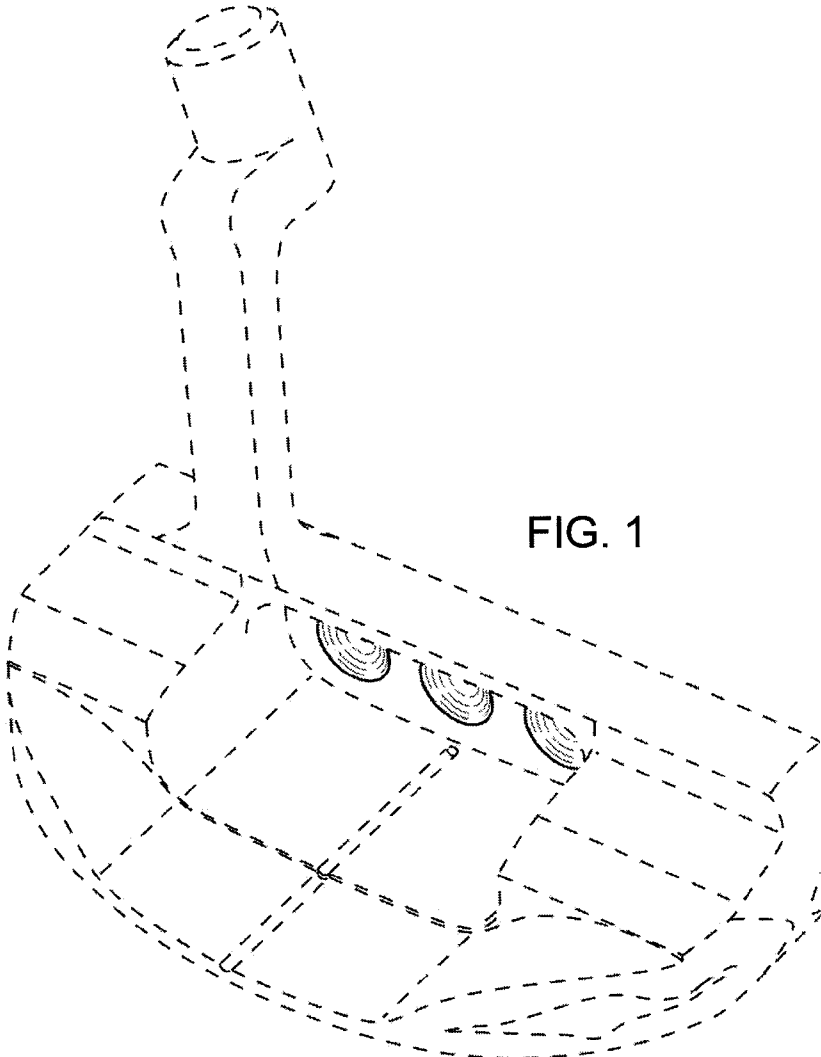


FIG. 1

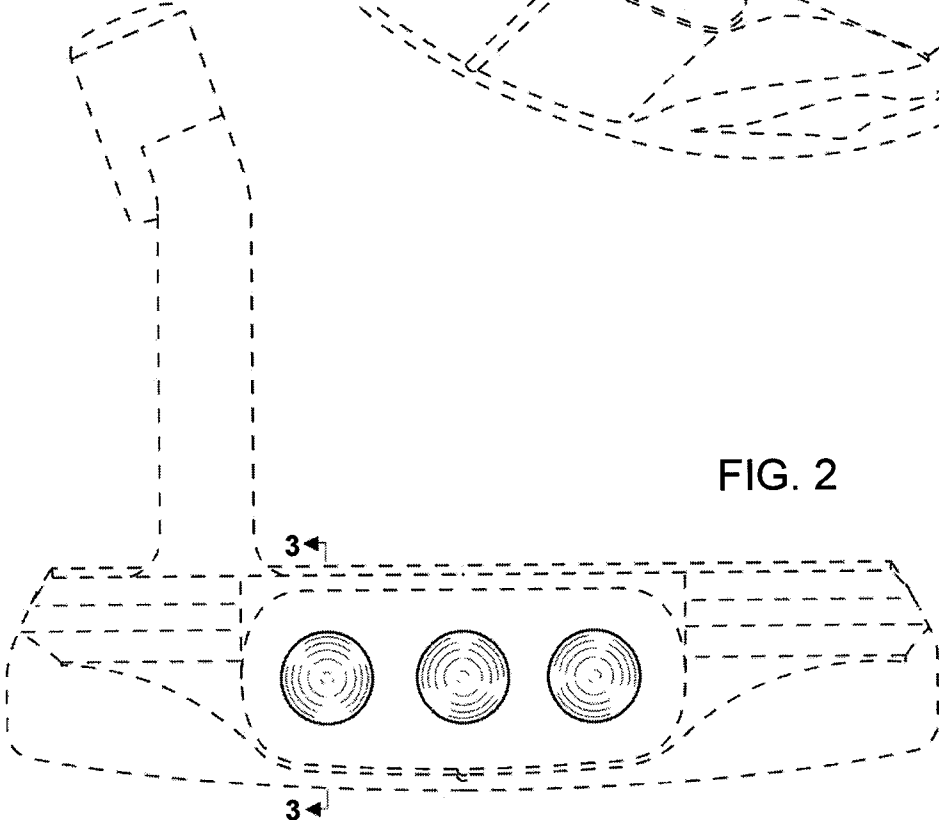


FIG. 2

FIG. 4

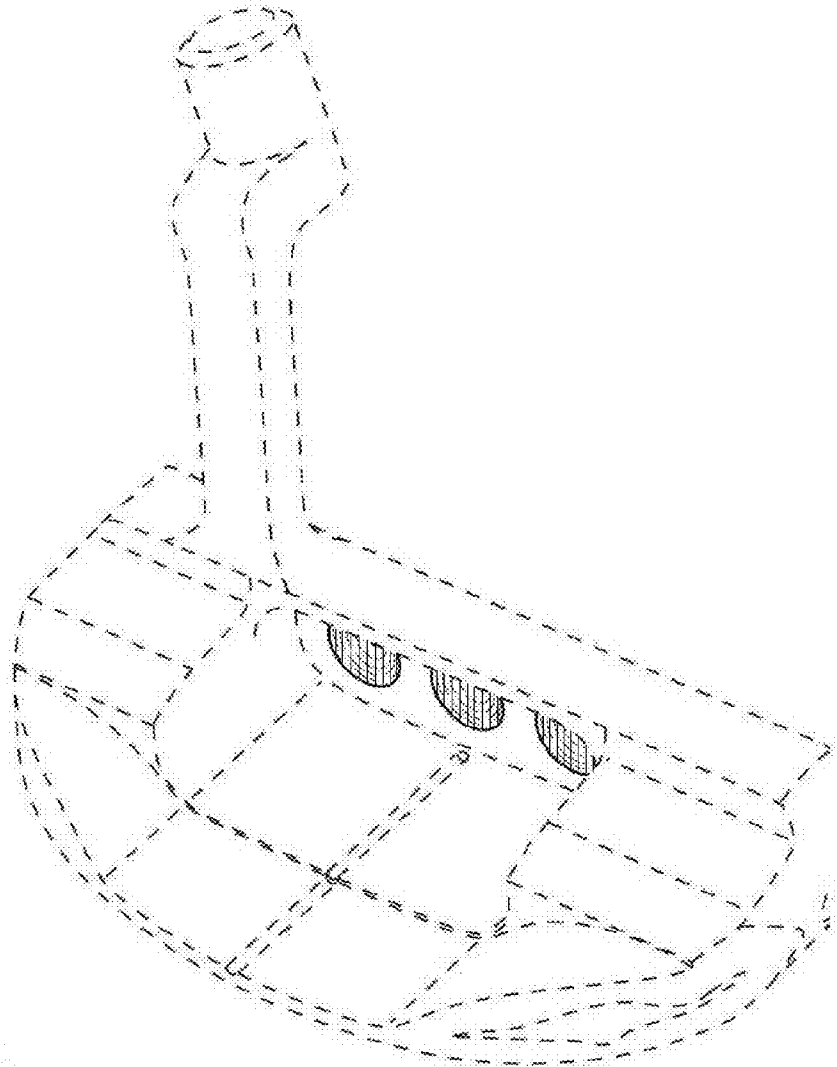


FIG. 5

