



US00D715430S

(12) **United States Design Patent**
Yu et al.

(10) **Patent No.:** **US D715,430 S**

(45) **Date of Patent:** **** Oct. 14, 2014**

(54) **CONTROL HANDLE FOR A MEDICAL DEVICE**

(75) Inventors: **Alex Yu**, Minneapolis, MN (US);
Stephen W. Evans, Plymouth, MN (US)

(73) Assignee: **St. Jude Medical, Atrial Fibrillation Division, Inc.**, St. Paul, MN (US)

(**) Term: **14 Years**

(21) Appl. No.: **29/424,447**

(22) Filed: **Jun. 12, 2012**

Related U.S. Application Data

(63) Continuation-in-part of application No. 29/420,271, filed on May 7, 2012.

(51) **LOC (10) Cl.** **24-02**

(52) **U.S. Cl.**

USPC **D24/130**

(58) **Field of Classification Search**

USPC D24/127-128, 130, 112, 189, 4, 140,
D24/135, 133; 600/391-392; 604/179-180,
604/187, 227; 128/DIG. 26, 206.14, 206.18,
128/206.28, 207.13, 207.15; 602/58-59;
606/191-199; D29/108; D28/4

See application file for complete search history.

(56) **References Cited**

U.S. PATENT DOCUMENTS

D351,652 S * 10/1994 Thompson et al. D24/138
7,606,609 B2 * 10/2009 Muranushi et al. 600/374
D612,044 S * 3/2010 Scheibe D24/130
D655,406 S * 3/2012 Ma et al. D24/112

OTHER PUBLICATIONS

Therapy 4mm, Bi-directional Catheter Deflection, Ordering Information and Accessories, St. Jude Medical, pp. 1-2 (2010).
Safire BLU Duo Bi-directional Ablation Catheter Irrigated 4mm Tip Thermocouple Quadripolar, St. Jude Medical, pp. 169 (2010).

* cited by examiner

Primary Examiner — Robert Delehanty

(74) *Attorney, Agent, or Firm* — Dykema Gossett PLLC

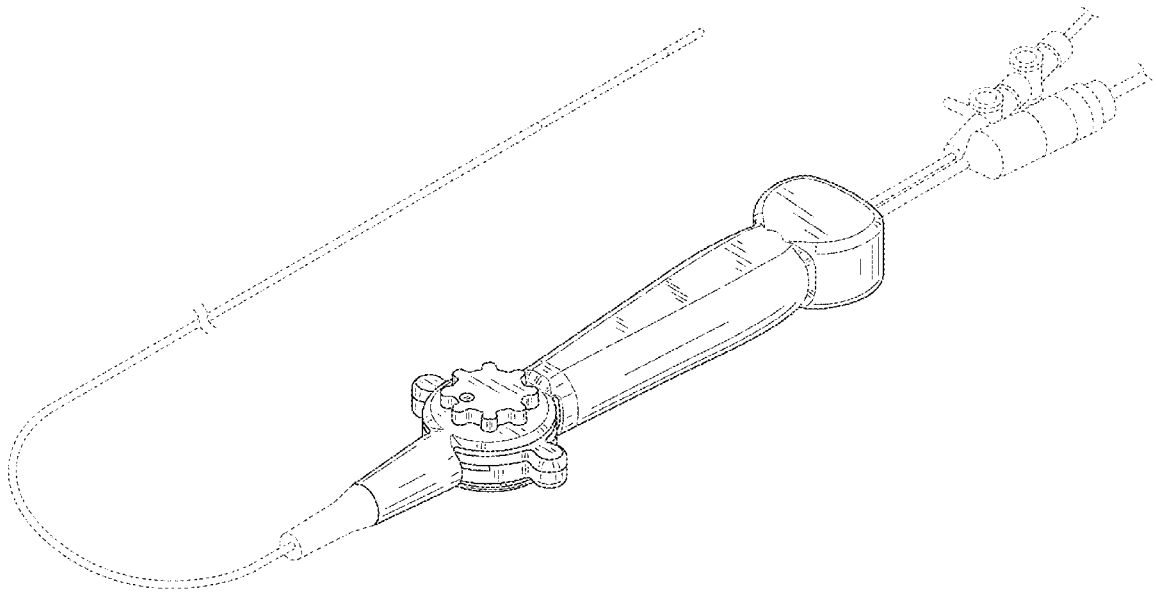
(57) **CLAIM**

The ornamental design for a control handle for a medical device, as shown and described.

DESCRIPTION

FIG. 1 is a perspective view of an embodiment of a control handle for a medical device showing a new design;
FIG. 2 is a front view thereof;
FIG. 3 is a back view thereof;
FIG. 4 is a right view thereof;
FIG. 5 is a left view thereof;
FIG. 6 is a top side view thereof; and,
FIG. 7 is a bottom side view thereof.
The broken lines are for purposes of illustration only and form no part of the claimed design.

1 Claim, 6 Drawing Sheets



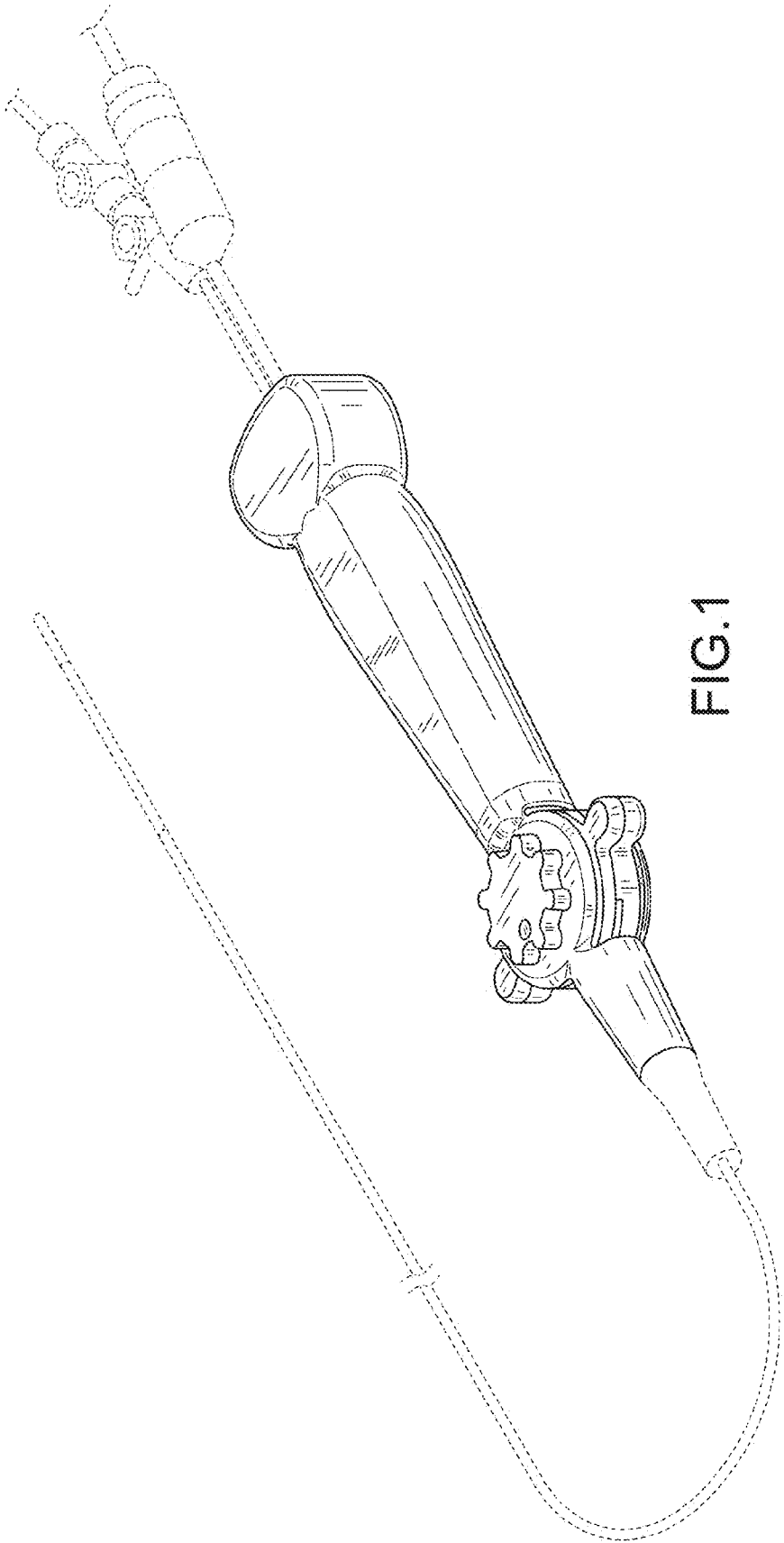


FIG.1

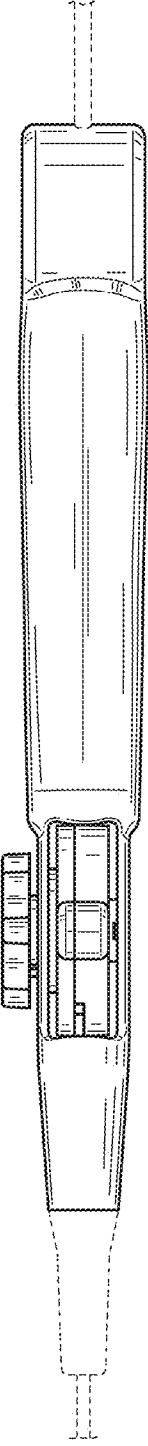


FIG.2

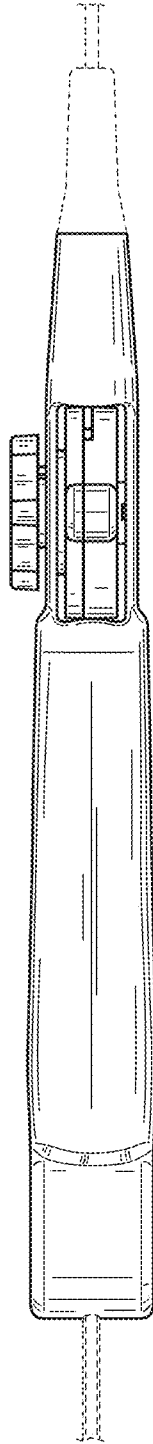


FIG.3

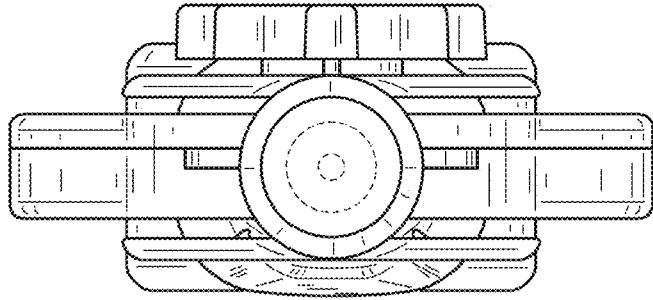


FIG. 4

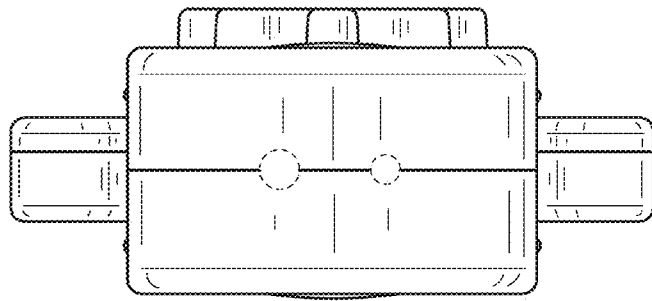


FIG. 5

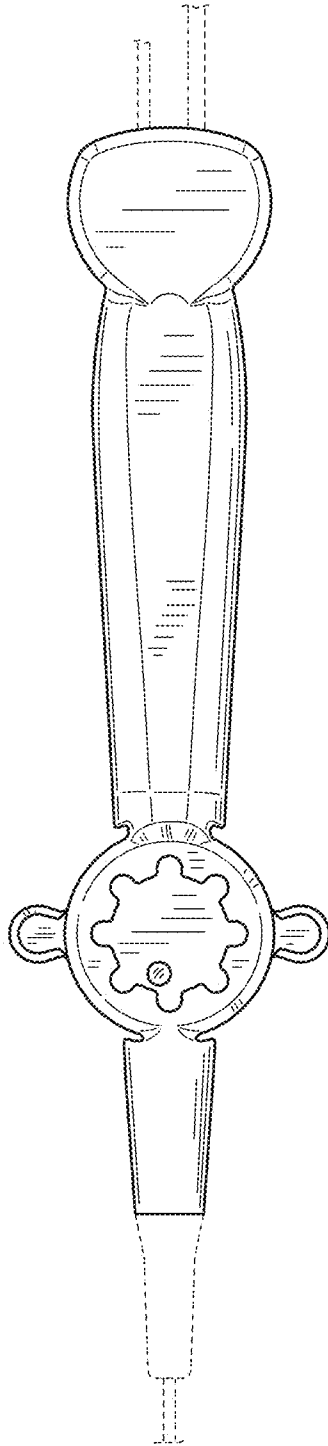


FIG. 6

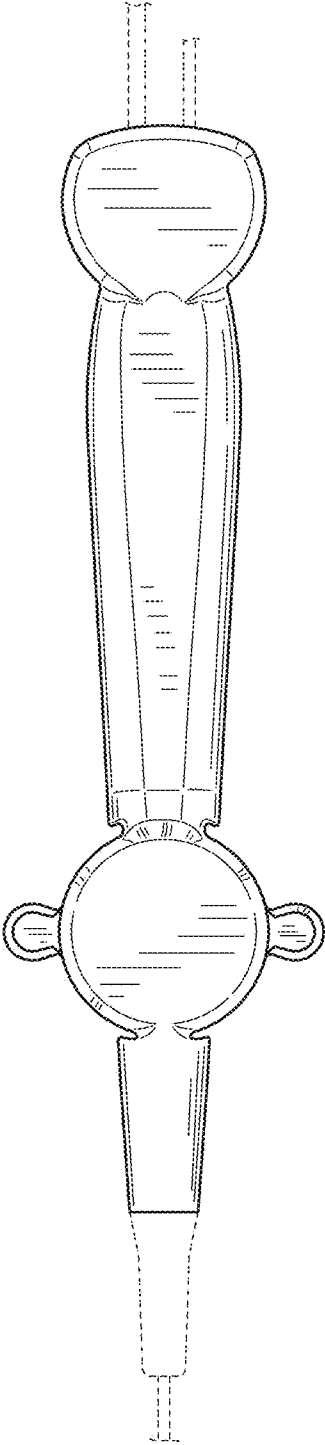


FIG. 7