



- (51) International Patent Classification:
A41B 9/00 (2006.01) D04B 1/24 (2006.01)
- (21) International Application Number:
PCT/US2011/055820
- (22) International Filing Date:
11 October 2011 (11.10.2011)
- (25) Filing Language: English
- (26) Publication Language: English
- (30) Priority Data:
61/391,226 8 October 2010 (08.10.2010) US
- (71) Applicant (for all designated States except US): **KNIT-RITE, INC.** [US/US]; 120 Osage Avenue, Kansas City, Kansas 66105 (US).
- (72) Inventors; and
- (75) Inventors/Applicants (for US only): **ROBERTS, Jennifer L.** [US/US]; 7910 W. 60th Street, Merriam, Kansas 66202 (US). **DALBEY, Jeffrey C.** [US/US]; 4445 W. 131st Terrace, Leawood, Kansas 66209 (US). **SMITH, Mark W.L.** [US/US]; 9107 Hillview Drive, DeSoto, Kansas 66018 (US).
- (74) Agent: **COLOMBO, Andrew G.**; Hovey Williams LLP, 10801 Mastin Blvd. Suite 1000, 84 Corporate Woods, Overland Park, Kansas 66210 (US).

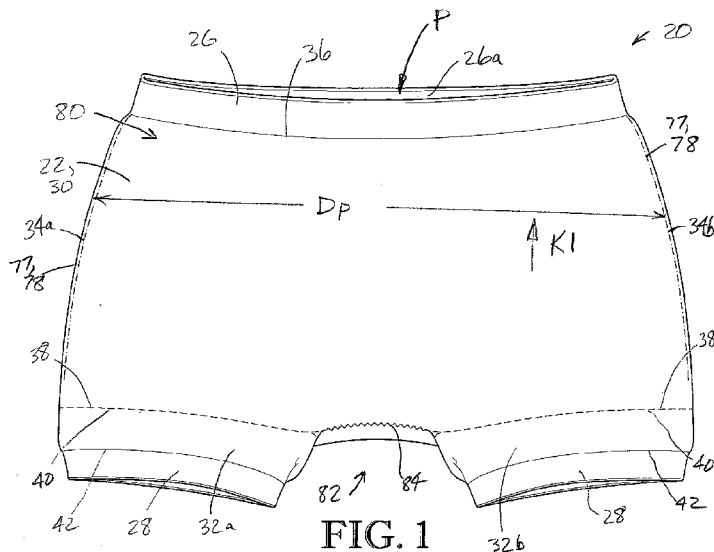
- (81) Designated States (unless otherwise indicated, for every kind of national protection available): AE, AG, AL, AM, AO, AT, AU, AZ, BA, BB, BG, BH, BR, BW, BY, BZ, CA, CH, CL, CN, CO, CR, CU, CZ, DE, DK, DM, DO, DZ, EC, EE, EG, ES, FI, GB, GD, GE, GH, GM, GT, HN, HR, HU, ID, IL, IN, IS, JP, KE, KG, KM, KN, KP, KR, KZ, LA, LC, LK, LR, LS, LT, LU, LY, MA, MD, ME, MG, MK, MN, MW, MX, MY, MZ, NA, NG, NI, NO, NZ, OM, PE, PG, PH, PL, PT, QA, RO, RS, RU, RW, SC, SD, SE, SG, SK, SL, SM, ST, SV, SY, TH, TJ, TM, TN, TR, TT, TZ, UA, UG, US, UZ, VC, VN, ZA, ZM, ZW.
- (84) Designated States (unless otherwise indicated, for every kind of regional protection available): ARIPO (BW, GH, GM, KE, LR, LS, MW, MZ, NA, RW, SD, SL, SZ, TZ, UG, ZM, ZW), Eurasian (AM, AZ, BY, KG, KZ, MD, RU, TJ, TM), European (AL, AT, BE, BG, CH, CY, CZ, DE, DK, EE, ES, FI, FR, GB, GR, HR, HU, IE, IS, IT, LT, LU, LV, MC, MK, MT, NL, NO, PL, PT, RO, RS, SE, SI, SK, SM, TR), OAPI (BF, BJ, CF, CG, CI, CM, GA, GN, GQ, GW, ML, MR, NE, SN, TD, TG).

Declarations under Rule 4.17:

- as to applicant's entitlement to apply for and be granted a patent (Rule 4.17(ii))
- as to the applicant's entitlement to claim the priority of the earlier application (Rule 4.17(iii))

[Continued on next page]

(54) Title: SEAMLESS UNDERWEAR



(57) Abstract: A stretchable seamless underwear is operable to be donned by a wearer and includes a seamless knitted fabric receptacle. The receptacle includes integrally knitted front and back panels that each present opposite side margins, with each side margin of the front panel being seamlessly joined to a corresponding side margin of the back panel so that the panels cooperatively form a passage through the receptacle. The receptacle is knitted with a high-stretch yarn.

WO 2012/048344 A3

Published:

(88) Date of publication of the international search report:

5 July 2012

- *with international search report (Art. 21(3))*
- *before the expiration of the time limit for amending the claims and to be republished in the event of receipt of amendments (Rule 48.2(h))*

INTERNATIONAL SEARCH REPORT

International application No.
PCT/US2011/055820**A. CLASSIFICATION OF SUBJECT MATTER***A41B 9/00(2006.01)i, D04B 1/24(2006.01)i*

According to International Patent Classification (IPC) or to both national classification and IPC

B. FIELDS SEARCHED

Minimum documentation searched (classification system followed by classification symbols)

A41B 9/00; A41B 9/02; D04B 1/24; A41B 9/06; A41B 9/04

Documentation searched other than minimum documentation to the extent that such documents are included in the fields searched

Korean utility models and applications for utility models

Japanese utility models and applications for utility models

Electronic data base consulted during the international search (name of data base and, where practicable, search terms used)

eKOMPASS(KIPO internal) & Keywords: seamless, stretch*, underwear, taper*, knit*

C. DOCUMENTS CONSIDERED TO BE RELEVANT

Category*	Citation of document, with indication, where appropriate, of the relevant passages	Relevant to claim No.
X A	US 05836179 A (VAN LAAR, A. H.) 17 November 1998 See abstract, figures 1-4, and claims 1-10.	1 2-36
A	US 6276175 B1 (BROWDER, JR. G. A. G.) 21 August 2001 See abstract, figures 1-11, and claims 1-10.	1-36
A	JP 2003-278001 A (HIRAI KIMIO) 02 October 2003 See abstract, figures 1-4, and claims 1-3.	1-36
A	JP 2002-327303 A (HIRAI KIMIO et al.) 15 November 2002 See abstract, figures 1-6, and claims 1-4.	1-36
A	JP 2002-275702 A (HIRAI KIMIO) 25 September 2002 See abstract, figures 1-5, and claims 1-4.	1-36

 Further documents are listed in the continuation of Box C. See patent family annex.

* Special categories of cited documents:

"A" document defining the general state of the art which is not considered to be of particular relevance

"E" earlier application or patent but published on or after the international filing date

"L" document which may throw doubts on priority claim(s) or which is cited to establish the publication date of citation or other special reason (as specified)

"O" document referring to an oral disclosure, use, exhibition or other means

"P" document published prior to the international filing date but later than the priority date claimed

"T" later document published after the international filing date or priority date and not in conflict with the application but cited to understand the principle or theory underlying the invention

"X" document of particular relevance; the claimed invention cannot be considered novel or cannot be considered to involve an inventive step when the document is taken alone

"Y" document of particular relevance; the claimed invention cannot be considered to involve an inventive step when the document is combined with one or more other such documents, such combination being obvious to a person skilled in the art

"&" document member of the same patent family

Date of the actual completion of the international search

14 MAY 2012 (14.05.2012)

Date of mailing of the international search report

15 MAY 2012 (15.05.2012)

Name and mailing address of the ISA/KR

Korean Intellectual Property Office
Government Complex-Daejeon, 189 Cheongsu-ro,
Seo-gu, Daejeon 302-701, Republic of Korea

Facsimile No. 82-42-472-7140

Authorized officer

Lee Jae Woong

Telephone No. 82-42-481-8716



INTERNATIONAL SEARCH REPORT

Information on patent family members

International application No.

PCT/US2011/055820

Patent document cited in search report	Publication date	Patent family member(s)	Publication date		
US 05836179 A	17. 11. 1998	CN 1134176 A	23. 10. 1996		
		CN 1134176 A0	22. 10. 1996		
		EP 0717796 A1	26. 06. 1996		
		EP 0717796 A1	02. 12. 1998		
		JP 09-501474 A	10. 02. 1997		
		KR 10-1996-0705091 A	09. 10. 1996		
		WO 95-07381 A1	16. 03. 1995		
		US 6276175 B1	21. 08. 2001	CA 2370629 A1	09. 11. 2000
CA 2370629 C	30. 09. 2008				
DE 60028786 D1	27. 07. 2006				
DE 60028786 T2	24. 05. 2007				
EP 1209990 A1	05. 06. 2002				
EP 1209990 A4	16. 06. 2004				
EP 1209990 B1	14. 06. 2006				
ES 2272281 T3	01. 05. 2007				
US 2001-0054303 A1	27. 12. 2001				
US 2002-0152775 A1	24. 10. 2002				
WO 00-65940 A1	09. 11. 2000				
JP 2003-278001 A	02. 10. 2003			JP 4162496 B2	08. 10. 2008
JP 2002-327303 A	15. 11. 2002			JP 3907530 B2	18. 04. 2007
JP 2002-275702 A	25. 09. 2002	CN 100482113 C	29. 04. 2009		
		CN 1303271 C0	07. 03. 2007		
		CN 1445404 A	01. 10. 2003		
		CN 1445404 C0	07. 03. 2007		
		CN 1864570 A	22. 11. 2006		
		CN 1864570 C0	22. 11. 2006		
		JP 03-403720 B2	28. 02. 2003		
		JP 03-403721 B2	28. 02. 2003		
		JP 2002-294501 A	09. 10. 2002		
		JP 3403720 B2	06. 05. 2003		
		JP 3403721 B2	06. 05. 2003		