



- (51) **International Patent Classification:**
H02P 5/747 (2006.01) *H02P 27/02* (2006.01)
- (21) **International Application Number:**
PCT/NO2008/000373
- (22) **International Filing Date:**
22 October 2008 (22.10.2008)
- (25) **Filing Language:** English
- (26) **Publication Language:** English
- (30) **Priority Data:**
2007 5383 22 October 2007 (22.10.2007) NO
- (71) **Applicant (for all designated States except US):** IN MOTION AS [NO/NO]; Moloveien 2, NO-6083 Gjerdsвика (NO).
- (72) **Inventor; and**
- (75) **Inventor/Applicant (for US only):** SLETTEVOLL, Halvard [NO/NO]; Moloveien 2, NO-6083 Gjerdsвика (NO).
- (74) **Agent:** PROTECTOR INTELLECTUAL PROPERTY CONSULTANTS AS; P.O.Box 5074 Majorstuen, N-0301 Oslo (NO).
- (81) **Designated States (unless otherwise indicated, for every kind of national protection available):** AE, AG, AL, AM, AO, AT, AU, AZ, BA, BB, BG, BH, BR, BW, BY, BZ, CA, CH, CN, CO, CR, CU, CZ, DE, DK, DM, DO, DZ,

EC, EE, EG, ES, FI, GB, GD, GE, GH, GM, GT, HN, HR, HU, ID, IL, IN, IS, JP, KE, KG, KM, KN, KP, KR, KZ, LA, LC, LK, LR, LS, LT, LU, LY, MA, MD, ME, MG, MK, MN, MW, MX, MY, MZ, NA, NG, NI, NO, NZ, OM, PG, PH, PL, PT, RO, RS, RU, SC, SD, SE, SG, SK, SL, SM, ST, SV, SY, TJ, TM, TN, TR, TT, TZ, UA, UG, US, UZ, VC, VN, ZA, ZM, ZW.

(84) **Designated States (unless otherwise indicated, for every kind of regional protection available):** ARIPO (BW, GH, GM, KE, LS, MW, MZ, NA, SD, SL, SZ, TZ, UG, ZM, ZW), Eurasian (AM, AZ, BY, KG, KZ, MD, RU, TJ, TM), European (AT, BE, BG, CH, CY, CZ, DE, DK, EE, ES, FI, FR, GB, GR, HR, HU, IE, IS, IT, LT, LU, LV, MC, MT, NL, NO, PL, PT, RO, SE, SI, SK, TR), OAPI (BF, BJ, CF, CG, CI, CM, GA, GN, GQ, GW, ML, MR, NE, SN, TD, TG).

Declarations under Rule 4.17:

- as to applicant's entitlement to apply for and be granted a patent (Rule 4.17(ii))
- of inventorship (Rule 4.17(iv))

Published:

- with international search report (Art. 21(3))
- before the expiration of the time limit for amending the claims and to be republished in the event of receipt of amendments (Rule 48.2(h))

[Continued on next page]

(54) **Title:** CONTROL OF HEAVY MACHINES

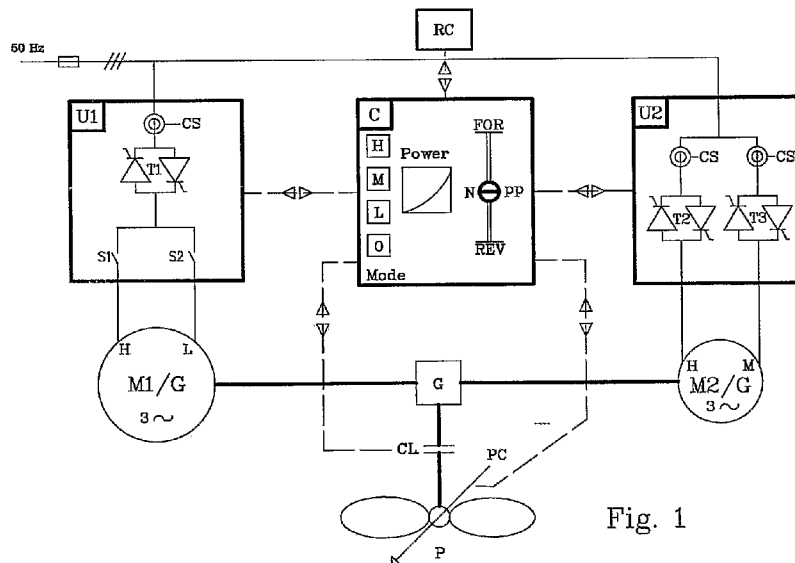


Fig. 1

(57) **Abstract:** The present invention relates to a system for controlling rotational speed on a rotating process machine (P), which for example is a turbine or a propeller, where the rotating process machine (P) is connected to at least one motor (M1) and arranged to rotate with a given rotational speed given by the motor (M1), the motor (M1) is connected to a control system (C) and the rotational speed of the motor (M1) is arranged to be controlled by a control system (C). The rotating process machine (P) comprises a load control (PC) arranged to be adaptable, the control system (C) is connected to the rotating process machine (P). With the invention, one achieves soft transitions between several selectable rotational speeds and lower energy consumption by step by step adjusting the size and the rotational speed of the motor (M1) to varying energy requirement.

WO 2009/054727 A3

(88) Date of publication of the international search report:
24 September 2009

INTERNATIONAL SEARCH REPORT

International application No
PCT/NO2008/000373

A. CLASSIFICATION OF SUBJECT MATTER INV. H02P5/747 H02P27/02		
According to International Patent Classification (IPC) or to both national classification and IPC		
B. FIELDS SEARCHED		
Minimum documentation searched (classification system followed by classification symbols) H02P B63H		
Documentation searched other than minimum documentation to the extent that such documents are included in the fields searched		
Electronic data base consulted during the international search (name of data base and, where practical, search terms used) EPO-Internal		
C. DOCUMENTS CONSIDERED TO BE RELEVANT		
Category*	Citation of document, with indication, where appropriate, of the relevant passages	Relevant to claim No.
X	WO 2004/092580 A (NEW WORLD GENERATION INC [CA]; MERSWOLKE PAUL H F [CA]; MEYER CHARLES) 28 October 2004 (2004-10-28) page 13, line 13 - page 14, line 14; figure 1	1-20
A	EP 1 561 945 A (CLIPPER WINDPOWER TECHNOLOGY I [US]) 10 August 2005 (2005-08-10) paragraphs [0007], [0008], [0018], [0026], [0027]; figures 1,2	1-20
A	US 6 320 273 B1 (NEMEC OTILIO [HR]) 20 November 2001 (2001-11-20) column 16, line 33 - column 20, line 17; figures 14,15	1-20
----- -/--		
<input checked="" type="checkbox"/> Further documents are listed in the continuation of Box C. <input checked="" type="checkbox"/> See patent family annex.		
* Special categories of cited documents :		
A document defining the general state of the art which is not considered to be of particular relevance *E* earlier document but published on or after the international filing date *L* document which may throw doubts on priority claim(s) or which is cited to establish the publication date of another citation or other special reason (as specified) *O* document referring to an oral disclosure, use, exhibition or other means *P* document published prior to the international filing date but later than the priority date claimed	*T* later document published after the international filing date or priority date and not in conflict with the application but cited to understand the principle or theory underlying the invention *X* document of particular relevance; the claimed invention cannot be considered novel or cannot be considered to involve an inventive step when the document is taken alone *Y* document of particular relevance; the claimed invention cannot be considered to involve an inventive step when the document is combined with one or more other such documents, such combination being obvious to a person skilled in the art. *&* document member of the same patent family	
Date of the actual completion of the international search	Date of mailing of the international search report	
12 August 2009	21/08/2009	
Name and mailing address of the ISA/ European Patent Office, P.B. 5818 Patentlaan 2 NL - 2280 HV Rijswijk Tel. (+31-70) 340-2040, Fax: (+31-70) 340-3016	Authorized officer Gusia, Sorin	

INTERNATIONAL SEARCH REPORT

International application No

PCT/N02008/000373

C(Continuation). DOCUMENTS CONSIDERED TO BE RELEVANT		
Category*	Citation of document, with indication, where appropriate, of the relevant passages	Relevant to claim No.
A	US 2005/106953 A1 (ANDERSEN PETER [DE] ET AL) 19 May 2005 (2005-05-19) paragraphs [0008], [0012], [0016], [0022], [0030], [0038], [0051]; figures 1,2 -----	1-20
A	US 5 961 558 A (KVAMSDAL ROLF [NO]) 5 October 1999 (1999-10-05) column 2, lines 31-40; figure 1 -----	1-20

INTERNATIONAL SEARCH REPORT

Information on patent family members

International application No PCT/NO2008/000373

Patent document cited in search report	A	Publication date	Patent family member(s)	Publication date
WO 2004092580	A	28-10-2004	CA 2522280 A1	28-10-2004
EP 1561945	A	10-08-2005	NONE	
US 6320273	B1	20-11-2001	NONE	
US 2005106953	A1	19-05-2005	AT 267116 T CA 2431354 A1 WO 0247974 A1 DE 10061578 A1 EP 1341694 A1	15-06-2004 20-06-2002 20-06-2002 27-06-2002 10-09-2003
US 5961558	A	05-10-1999	NONE	