



US00D802315S

(12) **United States Design Patent**  
**Meda**

(10) **Patent No.:** **US D802,315 S**

(45) **Date of Patent:** **\*\* Nov. 14, 2017**

(54) **CHAIR**

(71) Applicant: **Vitra Patente AG**, Birsfelden (CH)

(72) Inventor: **Alberto Meda**, Milan (IT)

(73) Assignee: **VITRA PATENTE AG**, Birsfelden (CH)

(\*\*) Term: **15 Years**

(21) Appl. No.: **29/573,942**

(22) Filed: **Aug. 10, 2016**

(30) **Foreign Application Priority Data**

May 13, 2016 (WO) ..... DM090703

(51) **LOC (10) Cl.** ..... **06-01**

(52) **U.S. Cl.**  
USPC ..... **D6/366**

(58) **Field of Classification Search**

USPC ..... D6/334-336, 364, 365, 366, 374, 379,  
D6/380, 716, 716.1, 716.2, 716.4, 708.23,  
D6/708.24

CPC .. A47C 7/54; A47C 3/24; A47C 7/022; A47C  
7/40; A47C 7/46; A47C 7/462; A47C  
7/24; A47C 7/004

See application file for complete search history.

(56) **References Cited**

**U.S. PATENT DOCUMENTS**

D360,316 S	7/1995	Hodge et al.
D367,980 S	3/1996	Hodge et al.
D390,712 S	2/1998	Koepke et al.
D400,018 S	10/1998	James et al.
D445,580 S	7/2001	Pennington et al.
D446,397 S	8/2001	Pennington et al.
D453,079 S	1/2002	Ma
D467,443 S	12/2002	Kwon

6,572,190 B2	6/2003	Koepke et al.	
D540,079 S	4/2007	Bock	
D540,080 S	4/2007	Su	
D541,061 S	4/2007	Benden et al.	
D541,062 S	4/2007	Su	
D549,014 S	8/2007	Donati	
D558,995 S	1/2008	Igarashi et al.	
7,347,495 B2	3/2008	Beyer et al.	
D566,410 S	4/2008	Neil	
D567,522 S *	4/2008	Igarashi	D6/366
D570,624 S *	6/2008	Kang	D6/366
D572,948 S	7/2008	Kouchi et al.	
D576,813 S	9/2008	Baldanzi et al.	
D579,682 S	11/2008	Neil	
D582,170 S	12/2008	Chi	
D584,901 S	1/2009	Massaud	
7,517,024 B2	4/2009	Cvek et al.	
D597,330 S	8/2009	Neil	
D613,085 S	4/2010	Fujita	
D613,086 S	4/2010	Fujita	
D640,477 S	6/2011	Neil	
D640,478 S	6/2011	Neil	
D646,915 S	10/2011	Schweikarth et al.	
D649,796 S	12/2011	Lievore et al.	
D650,617 S	12/2011	Chen	

(Continued)

*Primary Examiner* — Mimosa De

(74) *Attorney, Agent, or Firm* — Dorsey & Whitney LLP

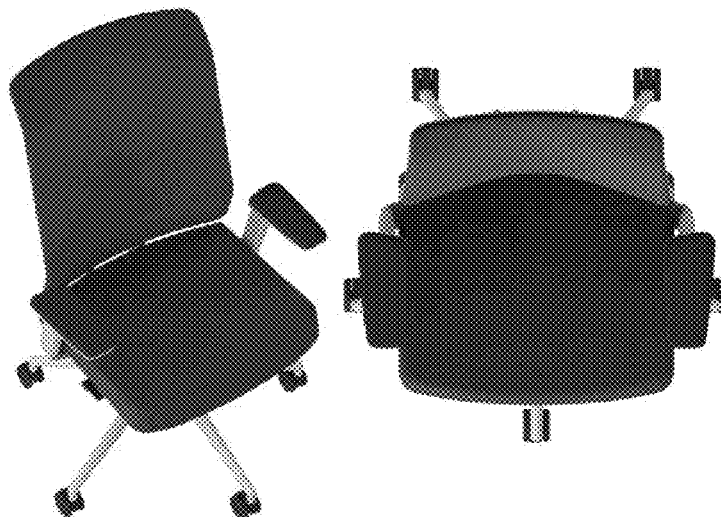
(57) **CLAIM**

The ornamental design of a chair, as shown and described.

**DESCRIPTION**

FIG. 1 is a front perspective-view of a chair;  
FIG. 2 is a front view thereof;  
FIG. 3 is a left-side view thereof;  
FIG. 4 is a back view thereof;  
FIG. 5 is a right-side view thereof;  
FIG. 6 is a top view thereof; and,  
FIG. 7 is a bottom view thereof.

**1 Claim, 7 Drawing Sheets**



(56)

**References Cited**

## U.S. PATENT DOCUMENTS

D652,646	S	1/2012	Fujita	
D653,467	S	2/2012	Ballendat	
D654,280	S	* 2/2012	Fujita .....	D6/366
D656,752	S	4/2012	Moll	
D658,904	S	5/2012	Chen	
D661,505	S	6/2012	Ballendat	
D665,589	S	* 8/2012	Wagner .....	D6/366
D665,590	S	8/2012	Wagner	
D666,032	S	8/2012	Su	
D671,330	S	11/2012	Izawa	
D671,332	S	11/2012	Izawa	
D671,759	S	12/2012	Hurford	
D679,107	S	* 4/2013	Darrow .....	D6/366
D683,172	S	5/2013	Su	
D683,552	S	6/2013	Wu	
D683,574	S	6/2013	Su	
D687,641	S	* 8/2013	Barrell .....	D6/366
D694,541	S	12/2013	Breen	
D695,538	S	12/2013	Geelen	
D697,330	S	1/2014	Chen	
D701,068	S	3/2014	Usumoto et al.	
D702,977	S	4/2014	Bonneywell	
D703,966	S	5/2014	Wu	
D708,882	S	* 7/2014	Hsuan-Chin .....	D6/716.4
D714,069	S	9/2014	Cvek	
D736,532	S	8/2015	Ballendat	
D758,087	S	6/2016	Bonneywell	
D767,320	S	9/2016	Xingchang	
D768,401	S	10/2016	Lievore et al.	
D773,199	S	12/2016	Neil	
D781,604	S	3/2017	Smith et al.	
D781,605	S	3/2017	Smith et al.	
9,648,957	B2	5/2017	Su	

\* cited by examiner

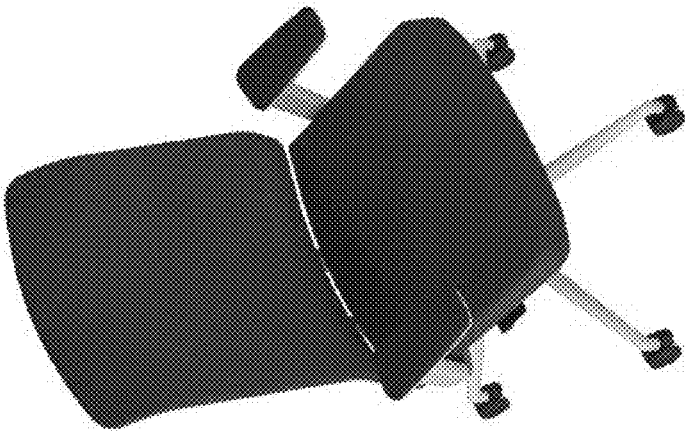


Fig. 1

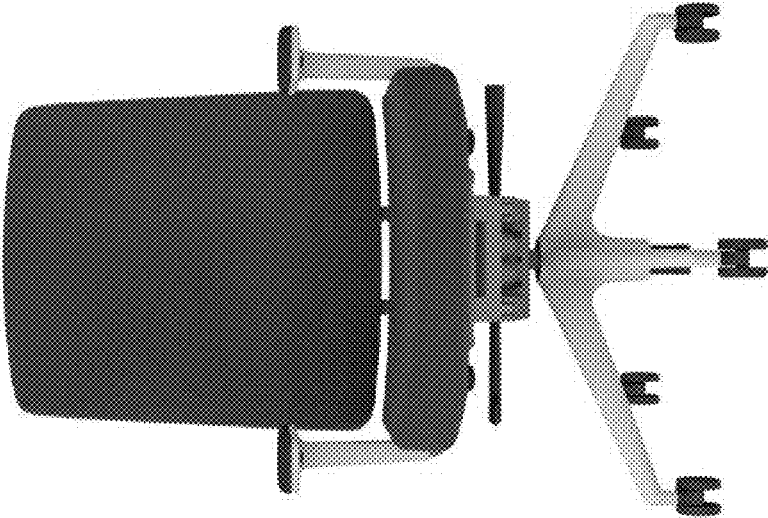


Fig. 2

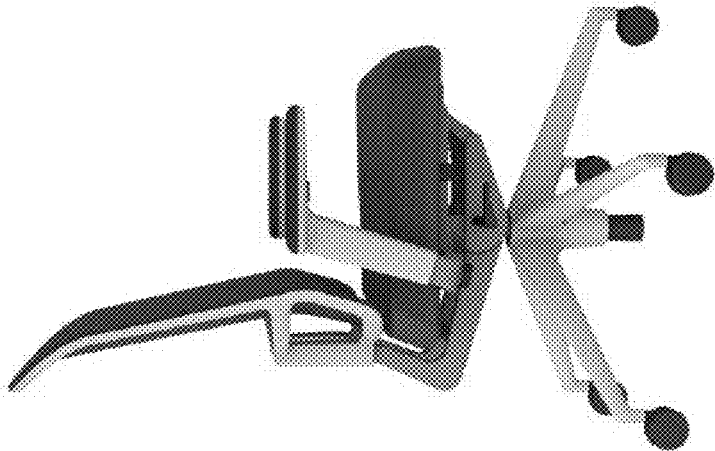


Fig. 3

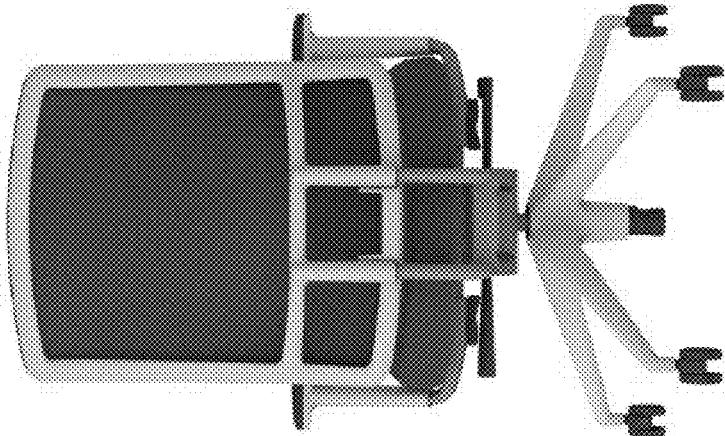


Fig. 4

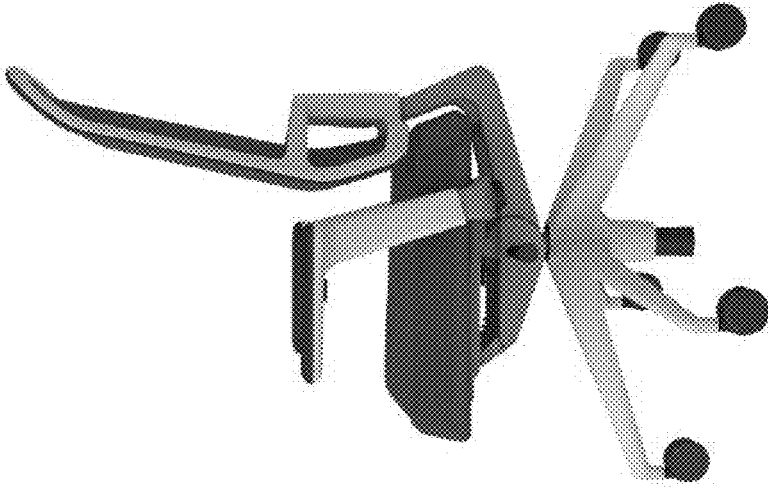


Fig. 5

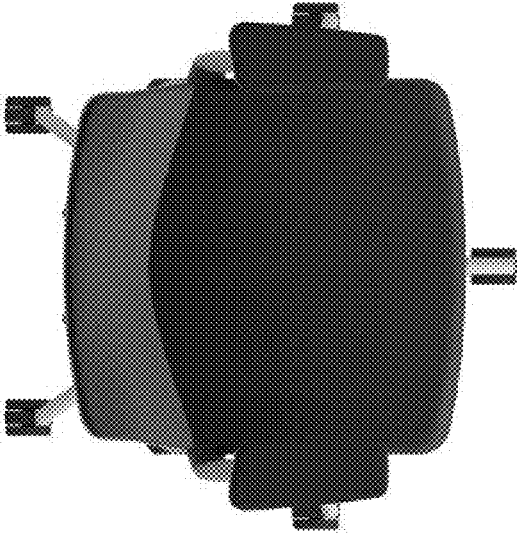


Fig. 6



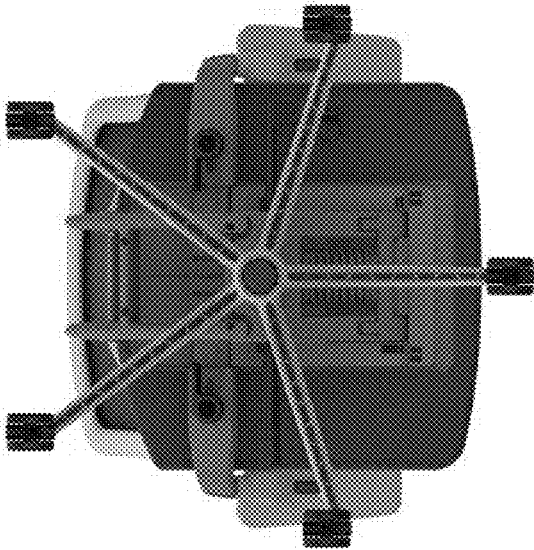


Fig. 7