

[54] HAND-HELD COMPUTER

[75] Inventor: Ross G. Pearce, Double Bay, Australia

[73] Assignee: Megaword International Pty. Ltd., New South Wales, Australia

[\*\*] Term: 14 Years

[21] Appl. No.: 252,704

[22] Filed: Sep. 30, 1988

[30] Foreign Application Priority Data

Mar. 30, 1988 [AU] Australia ..... 1030/88

[52] U.S. Cl. .... D14/100; D14/105

[58] Field of Search ..... D14/113, 100; 340/700, 340/706, 711; 341/22, 23; 358/248, 249, 254; 178/18, 19

[56] References Cited

U.S. PATENT DOCUMENTS

- D. 289,873 5/1987 Gemmell et al. .... D14/113
- D. 303,788 10/1989 Kondoh et al. .... D14/100
- D. 306,720 3/1990 Flies ..... D14/113
- 4,814,760 3/1989 Johnston et al. .... 340/706 X

OTHER PUBLICATIONS

Heathkit; Mar. 29, 1987; p. 100; left center—Data Display.

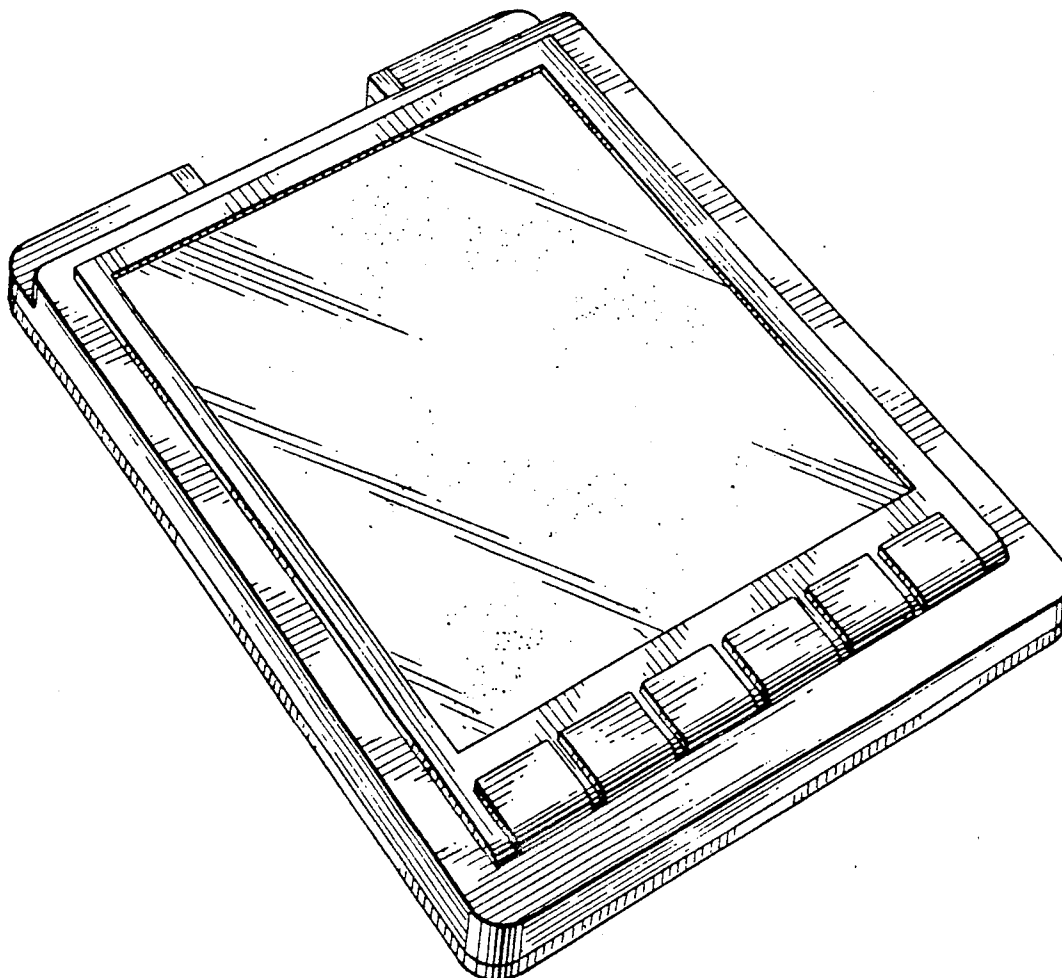
Primary Examiner—Theodore M. Shooman  
Attorney, Agent, or Firm—Sughrue, Mion, Zinn, Macpeak & Seas

[57] CLAIM

The ornamental design for a hand-held computer, as shown and described.

DESCRIPTION

FIG. 1 is a top, front and left side perspective view of a hand-held computer showing my new design;  
 FIG. 2 is a top plan view thereof;  
 FIG. 3 is a right side elevational view thereof, the left side being a mirror image;  
 FIG. 4 is a rear elevational view thereof,  
 FIG. 5 is a top plan view thereof; and  
 FIG. 6 is top and left side perspective view thereof.  
 The bottom of the hand-held computer is plain and unornamented.  
 The broken line showings in FIGS. 5 and 6 are for illustrative purposes only and form no part of the claimed design.



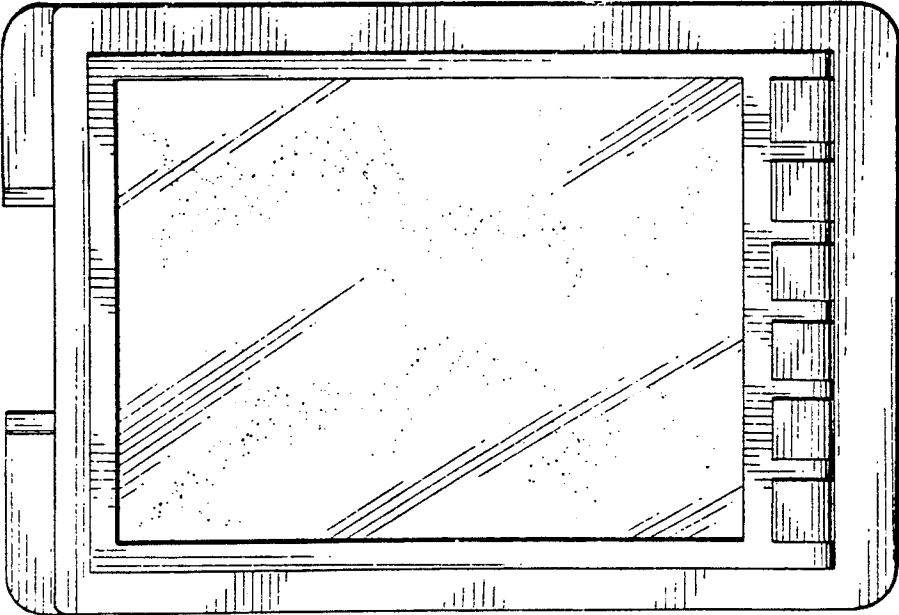


FIG. 2

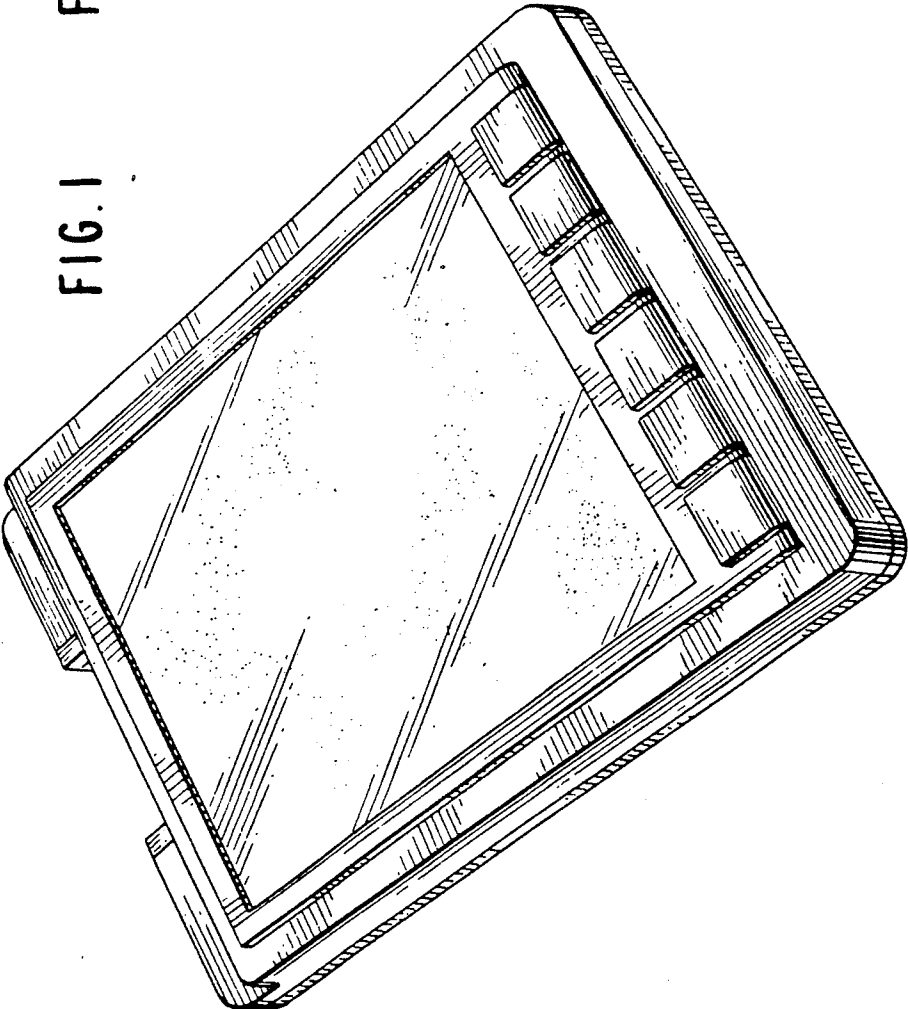


FIG. 1

FIG. 3

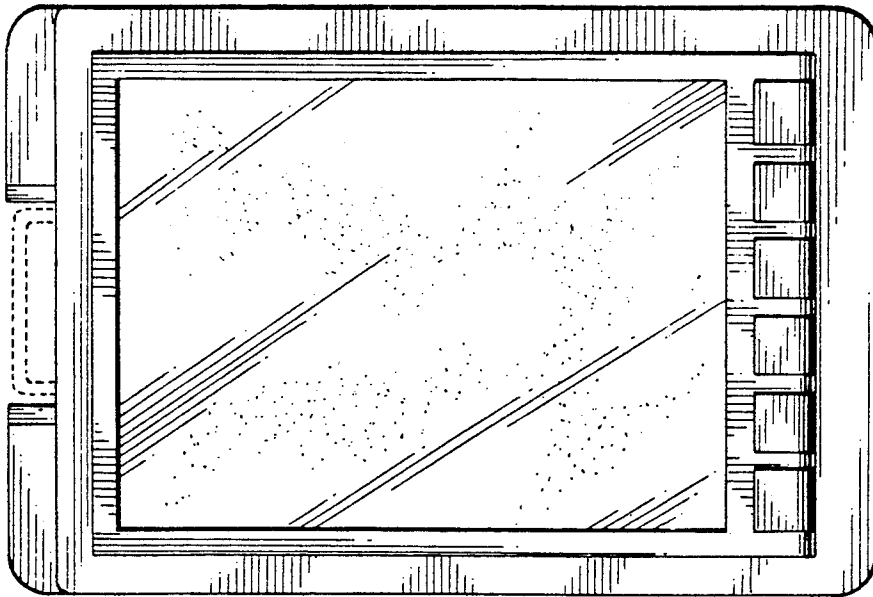
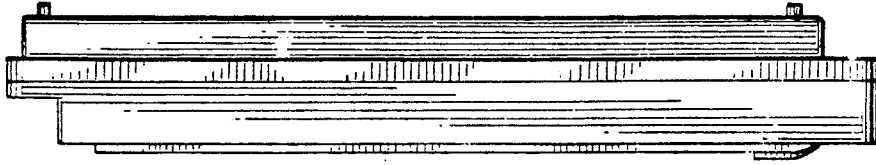


FIG. 5

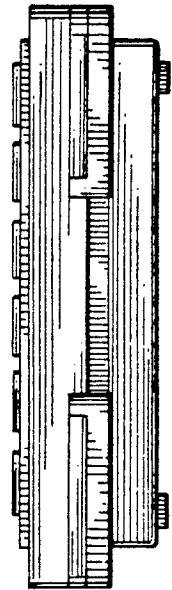


FIG. 4

FIG. 6

