

(19) World Intellectual Property Organization  
International Bureau



(43) International Publication Date  
13 June 2002 (13.06.2002)

PCT

(10) International Publication Number  
**WO 02/46761 A2**

- (51) International Patent Classification<sup>7</sup>: **G01N 33/543**, 21/25
- (74) Agents: **FREI, Frederick, S.** et al.; Dorsey & Whitney LLP, 1001 Pennsylvania Avenue, N.W., Suite 300 South, Washington, D.C. 20004 (US).
- (21) International Application Number: PCT/US01/47173
- (81) Designated States (*national*): AE, AG, AL, AM, AT, AU, AZ, BA, BB, BG, BR, BY, BZ, CA, CH, CN, CO, CR, CU, CZ, DE, DK, DM, DZ, EC, EE, ES, FI, GB, GD, GE, GH, GM, HR, HU, ID, IL, IN, IS, JP, KE, KG, KP, KR, KZ, LC, LK, LR, LS, LT, LU, LV, MA, MD, MG, MK, MN, MW, MX, MZ, NO, NZ, PL, PT, RO, RU, SD, SE, SG, SI, SK, SL, TJ, TM, TR, TT, TZ, UA, UG, UZ, VN, YU, ZA, ZW.
- (22) International Filing Date:  
10 December 2001 (10.12.2001)
- (25) Filing Language: English
- (26) Publication Language: English
- (30) Priority Data:
- |               |                                |    |
|---------------|--------------------------------|----|
| 60/254,394    | 8 December 2000 (08.12.2000)   | US |
| 60/255,233    | 12 December 2000 (12.12.2000)  | US |
| 60/293,917    | 24 May 2001 (24.05.2001)       | US |
| 60/294,051    | 29 May 2001 (29.05.2001)       | US |
| 60/294,052    | 29 May 2001 (29.05.2001)       | US |
| 60/303,437    | 6 July 2001 (06.07.2001)       | US |
| 60/306,226    | 18 July 2001 (18.07.2001)      | US |
| 60/323,405    | 19 September 2001 (19.09.2001) | US |
| Not furnished | 10 December 2001 (10.12.2001)  | US |
- (84) Designated States (*regional*): ARIPO patent (GH, GM, KE, LS, MW, MZ, SD, SL, SZ, TZ, UG, ZM, ZW), Eurasian patent (AM, AZ, BY, KG, KZ, MD, RU, TJ, TM), European patent (AT, BE, CH, CY, DE, DK, ES, FI, FR, GB, GR, IE, IT, LU, MC, NL, PT, SE, TR), OAPI patent (BF, BJ, CF, CG, CI, CM, GA, GN, GQ, GW, ML, MR, NE, SN, TD, TG).
- Published:**  
— *without international search report and to be republished upon receipt of that report*
- (71) Applicant: **BURSTEIN TECHNOLOGIES, INC.**  
[US/US]; 163 Technology Drive, Irvine, CA 92614 (US).
- (72) Inventor: **WORTHINGTON, Mark, O.**; 3900 Parview Lane, #29B, Irvine CA92612 (US).
- For two-letter codes and other abbreviations, refer to the "Guidance Notes on Codes and Abbreviations" appearing at the beginning of each regular issue of the PCT Gazette.*



**WO 02/46761 A2**

(54) Title: METHODS FOR DETECTING ANALYTES USING OPTICAL DISCS AND OPTICAL DISC READERS

(57) Abstract: This invention relates to methods of using an optical disc reader to detect an analyte of interest that is associated with an optical disc assembly. The method includes the steps of: (1) providing the optical disc to the optical disc reader; (2) directing at least one beam of electromagnetic radiation to the optical disc and scanning the beam over the optical disc; (3) acquiring radiation returned from or transmitted through the optical disc using a detector of the optical disc reader (4) generating from the acquired radiation at least a signal which is indicative of the presence of the analyte; and (5) generating from the acquired radiation signals which enable the optical disc reader to track operational structures impressed or encoded in the optical disc.

## METHODS FOR DETECTING ANALYTES USING OPTICAL DISCS AND OPTICAL DISC READERS

This application claims the benefit of priority from U.S. Provisional Application Serial  
5 No. 60/254,394, filed December 8, 2000; U.S. Provisional Application Serial No. 60/255,233,  
filed December 12, 2000; U.S. Provisional Application Serial No. 60/293,917, filed May 24,  
2001; U.S. Provisional Application Serial No. 60/294,051, filed May 29, 2001; U.S.  
Provisional Application Serial No. 60/294,052, filed May 29, 2001; U.S. Provisional  
Application Serial No. 60/303,437, filed July 6, 2001; U.S. Provisional Application Serial No.  
10 60/306,226, filed July 18, 2001; and U.S. Provisional Application Serial No. 60/323,405, filed  
September 19, 2001.

### FIELD OF THE INVENTION

This invention relates to methods of using an optical disc reader, such as a standard  
15 CD or DVD reader, to detect an analyte associated with an optical disc assembly.

### BACKGROUND OF THE INVENTION

Optical discs have been used for detection and characterization of biological and  
chemical samples. For instance, see WO 96/09548 (Gordon), EP A 392475 (Idemitsu), EP A  
20 417 305 (Idemitsu), EP A 504432 (Idemitsu), and WO 98/12559 (Demers), all of which are  
incorporated herein by reference. Other examples of using optical discs to detect  
investigational samples can be found in U.S. Provisional Application 60/252,725, entitled  
"Optical Bio-Disc Including Microfluidic Circuit for Separation and Quantification of  
Agglutinated Microparticles or Cells and Methods Relating Thereto"; U.S. Provisional  
25 Application No. 60/252,726, entitled "Bioactive Solid Phase for Specific Cell Capture and  
Optical Bio-Disc Including Same"; and U.S. Provisional Application No. 60/257,705, entitled  
"Surface Assembly for Immobilizing DNA Capture Probes and Bead-Based Assay Including  
Optical Bio-Discs and Methods Relating Thereto" all of which are incorporated herein by  
reference.

30 Some of these previously described optical discs, however, are not designed to be read  
by standard optical disc readers, such as standard CD or DVD readers. For instance, the  
optical discs disclosed in EP A392475 (Idemitsu), EP A417305 (Idemitsu), and EP A504432  
(Idemitsu) are not designed to standard CD or DVD disc readers. The discs described in WO  
96/09548 (Gordon) require the use of two optical detectors, one to detect the tracking

information and the other to detect surface structures. In contrast, reading a standard CD or DVD needs only one optical detector.

Therefore, there is a need to design and manufacture an optical disc configured to receive an investigational sample that can be detected by a standard optical disc reader or an optical disc reader modified therefrom.

Over the past decade, scanning laser microscopy (SLM) has revolutionized life science imaging. However, SLM demands expensive and specialized optical equipment. Consequently, there exists a need to provide an inexpensive, generic device that can carry out laser scanning over microscopic specimens.

The present invention discovers that the minimum mechanical requirements for SLM, i.e. laser, focusing and detection optics, precision scanning means, and computer interface, may all be provided by a standard optical disc reader or an optical disc reader modified therefrom. Therefore, it is desirable to create an optical disc that can hold a microscopic sample that can be scanned by a standard optical disc reader. Such an optical disc presents a marked advantage over existing SLM technologies.

In order for a standard optical disc reader to operate an optical disc, the optical disc reader is typically required to be able to (1) accurately focus above the operational surface of the optical disc, (2) accurately follow the spiral track or utilize some form of uniform radial movement across the optical disc surface, (3) recover enough information to facilitate a form of speed control, such as CAV, CLV, VBR, CBR, or ZCLV, (4) maintain proper power control by logical information gathered from the optical disc or by signal patterns detected in the operational surface of the optical disc, and (5) respond to logic information that is used to control, for example, the position of the objective assembly, the speed of rotation, or the focusing position of the laser beam.

A typical optical disc system uses elements of the optical medium itself to satisfy at least some of these operational requirements. For instance, in a typical CD, the disc substrate is impressed with a spiral track made up of a series of embossed or impressed pits and lands. Light reflected from these pits and lands can be used to generate signals. These signals are used by the optical disc reader to maintain proper focusing and tracking. In a CD-R disc, a wobble groove is used to generate operational signals during disc recording. Dye marks are created during disc recording, and these dye marks may provide the requisite tracking structures during subsequent reading. Generally, under each of conventional optical disc

standards, the structures that encode data may simultaneously serve to provide operational signals that enable an optical disc reader to operate the optical disc.

Conventional optical disc standards make no provision with respect to acquisition of information from investigational features, such as biological, chemical, or biochemical specimens, that are disposed on the disc. Investigational features disposed on the disc may disrupt the tracking of the disc. In addition, investigational features may be sufficiently separated from operational structures, therefore preventing an optical disc reader from tracking the disc and detecting the investigational features concurrently and discriminably.

Therefore, there is a need to provide an optical disc that allows an optical disc reader to detect the investigational features without disrupting the tracking of the disc. There also exists a need to provide an optical disc that allows an optical disc reader to track the disc and read the investigational features concurrently and discriminably.

#### **SUMMARY OF THE INVENTION**

Therefore, it is an object of this invention to provide methods for using an optical disc reader, preferably a standard optical disc reader or an optical disc reader modified therefrom, to detect analytes that are associated with an optical disc.

In one embodiment, the analytes can be detected using a standard optical disc reader, such as a standard CD or DVD reader. The association of the analytes with the optical disc does not prevent the optical disc reader from tracking the optical disc.

In accordance with one aspect of this invention, the method for detecting an analyte includes the steps of: (1) providing an optical disc associated with the analyte to an optical disc reader; (2) directing at least one beam of electromagnetic radiation to the optical disc and scanning the beam over the optical disc; (3) acquiring radiation returned from or transmitted through the optical disc using a detector of the optical disc reader; (4) generating from the acquired radiation at least a signal that is indicative of the presence of the analyte; and (5) generating from the acquired radiation signals which enable the optical disc reader to track the operational structures of the optical disc. The operational structures preferably have encoded speed information enabling the optical disc reader to rotate the optical disc at a speed that is determinable from the speed information.

In a preferred embodiment, the optical disc reader is a CD reader or a DVD reader. The optical disc reader uses a laser beam as the reading beam. The investigational signal, which is indicative of the presence of the analyte, and the operational signals, which enable

the optical disc reader to track the optical disc, can be generated at the same time. These signals can also be generated at different times. Preferably, the detector used by the optical disc reader is a quad detector. More preferably, the investigation signal is a quad sum signal or a focusing servo signal.

5           In one embodiment, the optical disc includes a first layer which includes an operational surface impressed with the operational structures. The operational structures are coated with a first reflective layer. The laser beam can be focused on the first reflective layer, the radiation returned from which may be used to generate operational signals. The laser beam can also be focused on the analyte, the radiation returned from which may be used to  
10 generate investigational signals. The operational surface of the first layer may include a cut-away area or window. The laser beam that passes over the analyte and then is returned from the cut-away area or window may be used to generate investigational signals.

          In another embodiment, the optical disc includes a second layer that is laser-proximal to the first layer. The analyte may be located between the first layer and the second layer.  
15 The second layer may include a surface impressed with optically readable structures that are coated with a second reflective layer. The focus of the laser beam may move from the first reflective layer to the second reflective layer.

          In a preferred embodiment, the first layer is laser-proximal to the analyte. The first reflective layer is a semi-reflective layer through which the laser beam can transmit. The  
20 laser beam can also be returned from the semi-reflective layer to generate operational signals. The optical disc may include a second reflective layer that is laser-distal to the first layer. The laser beam can pass over the analyte and then be returned from the second reflective layer. Investigational signals can be generated from the light returned from the second reflective layer. The operational surface of the first layer may include a cut-away area or  
25 window, through which the laser beam can reach or be focused on the analyte.

          In one embodiment, the optical disc has encoded focus control information for controlling a movement of the laser beam's focal point. The disc reader can read the focus control information and then direct a movement of the laser beam's focal point.

          In another embodiment, the optical disc has encoded assay information for conducting  
30 an assay on the analyte. The disc reader may read the assay information and then conduct the assay on the analyte.

          In yet another embodiment, at least part of the analyte is within 85 micrometers from the first reflective layer. Preferably, at least part of the analyte is within 70 micrometers from

the first reflective layer. More preferably, at least part of the analyte is within 15 micrometers from the first reflective layer. Most preferably, at least part of the analyte can be located within a focal depth of the laser beam that is focused on the first reflective layer.

In a preferred embodiment, the disc reader can direct at least a portion of the laser  
5 beam to pass through the optical disc to reach the detector. Investigational and operational signals can be generated from the pass-through light.

In accordance with another aspect of the present invention, the optical disc includes a hologram that has encoded operational features. The method for detecting an analyte using such a disc includes the steps of: (1) providing to an optical disc reader the optical disc which  
10 holds the analyte; (2) directing at least one beam of electromagnetic radiation to the optical disc and scanning the beam over the optical disc; (3) acquiring radiation returned from or transmitted through the optical disc using a detector of the optical disc reader; (4) generating from the acquired radiation at least a signal that is indicative of the presence of the analyte; and (5) generating from the acquired radiation signals which enable the optical disc reader to  
15 track the encoded operational features in an image plane of the hologram. The hologram may have encoded speed information which enables the optical disc reader to rotate the optical disc at a speed that is determinable from the speed information. The optical disc reader may be a CD reader or a DVD reader and use a laser beam as the reading beam.

In one embodiment, the laser beam is focused on the image plane of the hologram. At  
20 least part of the analyte may be located within the image plane of the hologram. The analyte may also be located outside the image plane of the hologram. The laser beam can be focused on the analyte. Investigational signals and operational signals may be generated simultaneously or at different times. The detector may be a quad detector. The investigational signal may be a quad sum signal or a focusing servo signal.

In accordance with yet another aspect of the present invention, the analyte held by an  
25 optical disc can be detected by an optical disc reader that includes two detectors. The optical disc reader has a first detector that may be used to generate operational signals. The optical disc reader also has a second detector that may be used to generate investigational signals. The method of using this optical disc reader to detect the analyte includes the steps of: (1)  
30 providing the optical disc to the optical disc reader; (2) directing at least one beam of electromagnetic radiation to the optical disc and scanning the beam over the optical disc; (3) acquiring radiation returned from the optical disc using the first detector of the optical disc reader; (4) acquiring radiation transmitted through the optical disc using the second detector

of the optical disc reader; (5) generating from the second detector at least a signal that is indicative of the presence of the analyte; and (6) generating from the first detector signals which enable the optical disc reader to track the optical disc and rotate the optical disc at a speed determinable from the operational structures of the optical disc.

5 This invention also provides an optical disc assembly which includes (1) optically readable structures which have encoded tracking information and speed information for an optical disc reader; and (2) an analyte section capable of receiving an analyte which can be detected by the optical disc reader.

## 10 BRIEF DESCRIPTION OF THE DRAWING FIGURES

Further aspects of the present invention together with additional features contributing thereto and advantages accruing therefrom will be apparent from the following description of the preferred embodiments of the invention which are shown in the accompanying drawing figures. It should be understood that all the drawings used herein are given by way of  
15 illustration, not limitation.

FIG. 1 demonstrates the functional components of an optical disc assembly according to one embodiment of the present invention.

FIG. 2 shows a cross-sectional view of an optical stack including three layers of refractive material.

20 FIG. 3 is a cross-sectional view of a compact disc recordable (CD-R) including a polycarbonate layer, a dye layer, and a reflective layer.

FIG. 4 is a diagram showing the geometry of a wobbled groove as it is embossed in an operational surface.

25 FIG. 5 shows a common arrangement of a reading laser beam relative to a spinning optical disc.

FIG. 6 shows wobbled grooves in a forward wobble optical disc, wherein the wobble grooves are embossed in the laser-distal surface of the operational layer.

FIG. 7 illustrates a forward wobble disc assembly including wobbled grooves coated with a reflective layer, wherein the operational surface has a cut-away area or window.

30 FIG. 8 is a cross-sectional view of a forward wobble optical disc assembly with an investigational feature placed on a cut-away area or window.

FIG. 9 demonstrates a reverse wobble optical disc assembly, wherein the wobble grooves are embossed in the laser-proximal surface of the operational layer.

FIG. 10 presents a cross-sectional view of a reverse wobble disc assembly with an investigational feature placed in the analyte section.

FIG. 11 compares the mastering process for making a forward disc with the mastering process for making a reverse disc.

5 FIG. 12 further compares the mastering process for making a forward disc to the mastering process for making a reverse disc.

FIG. 13 illustrates a reverse optical disc assembly.

FIG. 14 is a diagrammatic perspective view of an optical pickup used in one embodiment of the present invention.

10 FIG. 15 is a schematic representation of a quad detector used in one embodiment of the present invention.

FIG. 16 depicts the positions of investigational structures with respect to the tracks of operational structures.

FIG. 17 shows the HF signals acquired from the tracks illustrated in FIG. 16.

15 FIG. 18 shows an optical disc assembly including a gnat wing situated in a cut-away inspection channel.

FIG. 19 depicts the position of the gnat wing with respect to the tracks of the operational structures.

20 FIG. 20 shows the HF signals acquired from a track of the operational structures illustrated in FIG. 19.

FIG. 21 depicts the position of the gnat wing with respect to the tracks of the operational structures.

FIG. 22 demonstrates the HF signals acquired from a series of consecutive tracks of the operational structures depicted in FIG. 21.

25 FIG. 23 depicts the position of the gnat wing with respect to the tracks of the operational structures.

FIG. 24 shows a high-density compilation of the HF signals acquired from the tracks across the gnat wing.

30 FIG. 25 schematically represents an objective lens focusing mechanism as used in one embodiment of the present invention.

FIG. 26 is a cross-sectional view of an optical disc assembly including a reflective hologram.

FIG. 27 illustrates the data and surface organization of a zoned constant linear velocity (ZCLV) format.

FIG. 28 is an enlarged perspective view of a portion of a section of a ZCLV disc, wherein the portion has a pre-groove area followed by a wobble groove area.

5 FIG. 29 shows investigational features placed in a section in a ZCLV disc.

FIG. 30 is an example of a forward disc, wherein the operational structures are coated with a semi-reflective layer, and investigational features are held laser-distal to the semi-reflective layer.

10 FIG. 31 shows an example of a forward disc that permits the laser light to pass through the disc to a top detector.

FIG. 32 depicts a reverse optical disc assembly that includes fluidic channels placed either above or below the operational surface.

15 FIG. 33 shows another reverse optical disc assembly in which the operational surface has a cut-away area or window and fluidic channels are placed either above or below the cut-away area or window.

FIG. 34 illustrates an example of a reverse optical disc assembly that includes channels and an analyte chamber.

FIG. 35 depicts a forward optical disc assembly that includes fluidic channels placed either above or below the operational surface.

20 FIG. 36 shows another forward optical disc assembly in which the operational surface has a cut-away area or window and fluidic channels are placed either above or below the cut-away area or window.

FIG. 37 shows a forward optical disc assembly, wherein channels are located in a lens layer.

25 FIG. 38 represents a forward disc with channels placed above or below a cut-away area or window.

FIG. 39 shows a forward disc assembly having a cut-away area or window.

FIG. 40 illustrates a focusing servo as it is retracted back into a coil and magnet structure.

30 FIG. 41 depicts the focusing servo of FIG. 25 as it is extended towards the optical disc.

FIG. 42 schematically illustrates the potential movements of the laser beam's focus within an optical disc.

FIG. 43 demonstrates that the laser's focus is able to move in front of, on, or behind the operational surface.

FIG. 44 shows a movement of the laser's focus as the laser scans over a forward disc.

FIG. 45 illustrates another example of movement of the laser's focus as the laser scans  
5 over a forward disc.

FIG. 46 illustrates yet another example of movement of the laser's focus as the laser scans over a forward disc.

FIG. 47 schematically represents a detectable analyte located within the laser's focal depth.

FIG. 48 schematically represents a detectable analyte that is laser-distal to the laser's  
10 focal point but still within the laser's focal depth.

### **DESCRIPTION OF EMBODIMENTS OF THE INVENTION**

This invention relates to methods for using an optical disc reader to detect an analyte  
15 of interest which is associated with an optical disc assembly. The analyte of interest may be a physical specimen, such as a biological, biochemical, or chemical specimen, or a product produced by a biological, biochemical, or chemical reaction carried out in the optical disc assembly. The optical disc reader may be a CD reader or a DVD reader. The optical disc reader may be a standard optical disc reader or an optical disc reader modified therefrom.  
20 The optical disc assembly may be designed so that the association of the analyte with the disc assembly does not prevent the optical disc reader from tracking the disc assembly or performing other operational functions.

As used herein, various surfaces in an optical disc assembly can be numbered or named according to the order in which the light beam of the optical disc reader strikes or  
25 passes through them upon first occurrence. For example, when a compact disc (CD) is read by a CD reader, the laser beam of the CD reader first enters the disc through a surface of a polycarbonate layer. The polycarbonate layer also is known as the polycarbonate disc or the substrate. This surface is referred to as the first surface or the laser-proximal surface of the polycarbonate layer. The laser beam proceeds through the polycarbonate layer and comes out  
30 through another surface of the polycarbonate layer. This latter surface is referred to as the second or the laser-distal surface of the polycarbonate layer. The laser beam proceeds to a reflective layer that is usually made of gold or other reflective material. The reflective layer

is laser-distal to the polycarbonate layer. The laser beam is reflected back from the reflective layer, passing through the polycarbonate layer, and entering a detector in the CD reader.

When a CD-R disc is read by a CD-R reader, the laser beam of the reader enters the CD-R disc through the first surface of a polycarbonate layer. The laser beam proceeds  
5 through the polycarbonate layer and enters into a dye layer that is laid on the tracks embossed or impressed in the laser-distal surface of the polycarbonate layer. The polycarbonate layer is laser-proximal to the dye layer. The back surface of a CD-R disc, upon which labels or markings are laid, is referred to as the back plane. The back plane is the most laser-distal surface in the CD-R disc.

10 As used herein, "operational structures" or "operational features" in an optical disc assembly refer to optically readable structures which are impressed or encoded in the optical disc assembly and which enable an optical disc reader to track, synchronize, or perform other customized operational functions. Operational structures may act as phase components or provide interference patterns. Operational structures may have encoded speed information  
15 that enables the optical disc reader to rotate the disc assembly at a speed determinable from the speed information. Light returned from or passed over operational structures can be acquired by the optical disc reader to generate operational signals. These operational signals are used by the optical disc reader to track, focus, synchronize, or perform other operational functions.

20 Operational structures may be imprinted or impressed in a surface of a layer in the disc assembly. Such a layer is referred to as an "operational layer," and such a surface is referred to as an "operational surface." In a typical CD disc, the operational layer is the polycarbonate disc, and the operational surface is the laser-distal surface of the polycarbonate disc. An optical disc assembly may have more than one operational layer or operational  
25 surface. Preferred operational structures include, but are not limited to, wobble grooves, pits and lands, dye marks, or any combination thereof.

Operational structures may be encoded in a hologram. Light returned from or transmitted through the hologram can create an image plane within which the encoded operational structures appear to be positioned. The encoded operational structures, as  
30 appeared in the image plane of the hologram, preferably are in the form of wobble grooves, tracks of pits and lands, or any other type of operational structures that may be physically impressed in an optical disc's operational layer.

Operational structures, impressed or encoded, may be in a variety of formats. Suitable formats for this invention include, but are not limited to, CD formats, DVD formats, any combination thereof, or other optical disc formats. CD formats include, but are not limited to, CD-ROM, CD-R, and CD-RW formats. DVD formats include, but are not limited to, DVD-R, DVD-RW, and DVD-RAM formats. As would be appreciated by one of skill in the art, other CD or DVD formats or other optical disc formats, including those that have been or will be developed in the future, may be used in the present invention.

“Investigational structures” or “investigational features” refers to the structures, features, or sample items (including any aspects, attributes, or characteristics thereof) that are placed in an optical disc assembly to be examined or investigated. An investigational structure or feature may be an analyte which includes a physical specimen, such as a biological, chemical, or biochemical sample, or a product produced by a biological, chemical, or biochemical reaction conducted in the optical disc assembly. An investigational structure or feature may also be part of an analyte. Investigational structures or features usually cannot provide operational information. Investigational structures or features typically are not imprinted or impressed in the optical disc assembly. They usually are not encoded in a hologram. Preferably, investigational structures or features are replaceably disposed in the optical disc assembly. Investigational structures or features may be chemical, biochemical, or biological in nature. They may also be signal or reporter elements such as beads.

Association of investigational structures with an optical disc assembly of the present invention does not prevent the optical disc reader from operating the optical disc assembly. In order to operate an optical disc assembly, the optical disc reader usually needs to (1) accurately focus above the operational surface of the disc assembly, (2) accurately track the operational surface or use some form of radial movement across the disc surface, (3) maintain a form of speed control, (4) maintain proper power control by logical information gathered from the disc assembly, and (5) respond to logic information that may be used to control, for example, the position of the objective assembly, the speed of rotation, or the focusing position of the laser beam.

An analyte that is disposed in the optical disc assembly of the present invention can be read or detected by an optical disc reader. As used herein, an analyte can be read or detected by an optical disc reader if the optical disc reader can generate at least a signal indicative of the presence of the analyte. This signal is also referred to as an analyte signal. The present

invention also contemplates the use of the optical disc reader to generate signals indicative of other properties of the analyte, such as the concentration or dimension of the analyte.

In accordance with one aspect of the present invention, the optical disc assembly includes at least an operational layer and at least an analyte section. The operational layer  
5 contains an operational surface in which operational structures are impressed. The operational structures have encoded operational information that enables the optical disc reader to operate the disc assembly. In particular, the operational structures may have encoded tracking information that allows the disc reader to track the operational structures. The operational structures may also have encoded speed information enabling the disc reader  
10 to rotate the disc assembly at a speed determinable from the encoded speed information. Preferably, the operational structures are coated with a reflective layer containing a reflective material, such as metal, aluminum, gold, silver, or silicon. As used herein, a reflective layer can be semi-reflective and semi-transmissive. Light reflected from the reflective layer can be acquired by the disc reader to generate operational signals for focusing, tracking, or  
15 performing other operational functions. The operational layer may be a hologram in which the operational structures are encoded.

Speed information encoded in the operational structures allows an optical disc reader to rotate the optical disc assembly at a determinable speed. Speed information may be encoded in frame synchronization words that allow the optical disc reader to adjust the disc  
20 speed to keep a desired data rate. The speed information may also be encoded in a wobble groove. The wobble groove can produce signals useful for regulating the disc speed. In addition, special marks or logic information can be used to provide speed information. In one embodiment, the optical disc reader rotates the optical disc assembly with a constant linear velocity.

25 The analyte section is configured to receive at least an analyte of interest. The analyte section may be embedded in the disc assembly. It may be positioned between two layers of the disc assembly. It may also be located within a layer in the optical disc assembly. As used herein, a layer in a disc assembly refers to a thickness of material. For instance, a layer may be a substrate disc or a coating of reflective material. A layer may also be an insert that can  
30 be assembled into another layer in the disc assembly. A layer may be flat or not flat. A layer may be homogeneous or non-homogenous. The depth of a layer may be uniform or not uniform. A layer may be an assembly of several parts. The analyte section may be the most laser-distal or the most laser-proximal structure in the disc assembly. The analyte section

may include channels, microfluidic channels, chambers, cavities, or other structures that are designed for the manipulation, creation, or retention of the analyte of interest or the investigational structure. The analyte section may also be referred to as the component layer. An optical disc assembly may have more than one analyte section. The analyte section and  
5 the operational layer can be intermixed so long as the optical disc reader can retain control of focusing, tracking, velocity, and other operational functions. Analytes or investigational structures and features can be in the nanometer, micrometer, or millimeter range, and can be disposed, modified, or created in the analyte section.

Preferably, the optical disc assembly includes a lens layer. The lens layer may be used  
10 to focus the laser beam, for instance, on either the operational structures, or the investigational structures or features. In one embodiment, the operational layer may function as a lens layer. In such a case, the operational structures are embossed in the laser-distal surface of the operational layer. The refractive index of the lens layer can be selected to perform the desired focusing function. The lens layer typically is laser-proximal to the operational or  
15 investigational structures. Preferably, the lens layer contains a material selected from the group consisting of plastic and glass. More preferably, the lens layer consists of plastic, such as polycarbonate or polystyrene. In a highly preferred embodiment, the lens layer consists of polycarbonate. Other examples of material suitable for constructing a lens layer include  
20 polymethylacrylic, polyethylene, polypropylene, polyacrylate, polymethyl-methacrylate, polyvinylchloride, polytetrafluoroethylene, polyacetal, polysulfone, celluloseacetate, cellulosenitrate, nitrocellulose, or any mixtures or combinations thereof.

The optical disc assembly of the present invention preferably approximates the dimensions of a unitary disc. For instance, the disc assembly may have a radial diameter of between about 50 and 150 mm, preferably between about 75 and 130 mm, such as 85 mm,  
25 110mm, and 120 mm. Preferably, the disc assembly has a depth or thickness of between about 0.8 and 2.4 mm, such as between 1.0 and 1.4 mm. More preferably, the disc assembly has a depth or thickness of between 1.1 and 1.3 mm, including 1.2 mm. In one embodiment, the disc assembly may have a thickness of about 0.6 mm. The disc assembly may be flat or not flat, circular or non-circular. The disc assembly may have a central hole through which  
30 the disc assembly can be coupled to a disc reader.

With reference now to FIG. 1, there is shown a diagram illustrating one embodiment implemented in accordance with the methods of the present invention. The optical disc assembly has at least an operational layer 338, a component layer 336, and a lens layer 340.

The disc assembly encompasses the focusing range of the laser used by the disc reader. The operational layer 338 contains the operational structures that are used by the disc reader to track the disc assembly. The operational structures may create an interference pattern or other patterns that provide operational functionality to the disc reader. The component layer 336  
5 contains the investigational structures as well as other structures that are related to the manipulation, creation, or retention of the investigational structures or features. The component layer may include microfluidic channels. The lens layer 340 may focus the laser beam either on the operational structures or on the investigational structures. The component layer and the operational layer may be intermixed or overlapped so long as the disc reader can  
10 retain control of the focusing, tracking, and speed. The measurement area 342 represents the area which are readable by the disc reader's laser, and the laser's focal point can roam across the measurement area. The measurement area may encompass any of the component layer, the operational layer, the lens layer, or a portion thereof.

Different layers in an optical disc assembly may have different optical properties and  
15 can impose different optical effects on the light beam that passes through these layers. These optical effects include, for example, reflection, refraction, transmission, or absorption. FIG. 2 is a simplified example showing the effects of different layers on the passage of a light beam. These aspects are accounted for in the methods according to this invention

The optical disc 102 in FIG. 2 includes three layers of refractive material, 104, 106,  
20 and 108. The refractive properties of these layers may differ based on their compositions. The different refractive properties create changes in the light beam 110 as the light beam passes through these layers. The layers may be named in order of their first contact with the light beam 110. The light beam 110 enters through the bottom surface 112 and exits at the top surface 118. Therefore, layer 104 may be referred to as the most laser-proximal layer, and  
25 layer 108 as the most laser-distal layer. Layer 106 is laser-distal to layer 104, and laser-proximal to layer 108.

The light beam 110 enters layer 104 at surface 112. The light beam is bent and slowed because of the refractive property of layer 104. The light beam exits layer 104 at surface 114, and then enters layer 106 which has a different refractive property, therefore  
30 further altering the angle and speed of the light beam. As the light beam exits layer 106, it enters layer 108 at surface 116 with a further changed angle and speed. The light beam exits layer 108 at surface 118. Surface 112 is laser-proximal to surface 114 which is laser-proximal to surface 116. Surface 118 is the most laser-distal surface in the optical stack 102.

In one embodiment of the discs employed in conjunction with the methods of the present invention, the optical disc assembly is designed based on a modification of an industry standard design, such as standard CD (including CD-R and CD-RW) or a standard DVD (including DVD-RAM, DVD-R, and DVD-RW). The following description is based on  
5 modifications of a standard CD-R disc. Similar modifications can be applied to other optical discs, such as CD-RW or DVD discs, as might be appreciated by those of ordinary skill in the art in view of the disclosure presented herein.

A normal CD-R disc contains a wobble groove utilized by the CD-R drive to spin and track the disc. A similar principal applies to a DVD-type disc. A standard CD-R disc has a  
10 polycarbonate operational layer having a depth of about 1.2 mm. The polycarbonate operational layer has at least a wobble groove embossed in the laser-distal surface of the layer. The depth of the wobble groove in a standard CD-R is approximately from 165 to 230 nanometers. A typical wobble groove is filled with dye. Above the dye layer is a reflective layer that may contain gold or other reflective material such as silver. The reflective layer can  
15 reflect the laser beam of the disc drive back to a detector in the disc drive. The laser beam can be focused on the reflective layer. The laser's focus may be adjusted by a focusing servo. The wobble groove functions like a diffraction grating, and is capable of creating a pattern in the reflected laser light. The pattern in the reflected laser light is used by the disc drive to spin and track the disc. In a standard DVD disc, the wobble groove depth can be 50  
20 nanometers.

FIG. 3 exemplifies a CD-R disc with an industry standard design. The disc has an operational layer 120 that is usually made of polycarbonate, a dye layer 122 which contains CD recordable light sensitive dye, and a reflective layer 124 that contains gold, silver, or other material that is suitable for reflecting the laser beam 128 back to the detector of the disc  
25 drive. The operational layer 120 is capable of focusing the laser beam 128 on the reflective layer 124. As used herein, a layer in an optical disc is capable of focusing a reading beam of an optical disc reader on an object if the reading beam, which is directed to the object while the optical disc reader is operating the optical disc, can pass through the layer and become focused on the object. Preferably, the refractive index of the layer is significantly greater than  
30 the refractive index of air, as appreciated by one of skill in the art. For instance, the refractive index of the layer may be 1.55. Another layer or layers may also exist in the optical path of the reading beam to help the reading beam become focused on the object. The wobble groove 126 is shown in FIG. 3.

FIG. 4 demonstrates the geometry of a wobbled groove in a CD-R. As with other figures used herein, FIG. 4 is not drawn to scale. The wobble groove is usually embossed into the laser-distal surface of the operational layer in a CD-R. FIG. 4 shows two wobbled grooves. Measurement A, 132, represents the distance between two adjacent wobble grooves. Measurement B, 134, denotes the width of the top of the wobble groove. Measurement C, 136, represents the width of the bottom of the wobble groove. Measurement D, 138, shows the depth of the groove. The angle E, 140, between the side-wall 142 and the bottom of the wobble groove has an important effect on light that encounters the wobbled groove. The geometry of the wobble groove in a CD-R disc has a significant effect on the performance of the CD-R disc in a high-speed writer.

An optical disc spins in a disc reader clockwise when looking down on the disc. From the viewpoint of the reader's laser (looking up), however, the disc is spinning counter-clockwise. FIG. 5 demonstrates a common arrangement of an optical disc in a disc drive. The same arrangement can be employed in the present invention. The laser beam 146 is directed to the optical disc 144 from below. The optical disc 144 spins in a counter-clockwise direction 148 as seen from below the disc. From above the disc, however, the disc 144 spins in a clockwise direction.

The optical discs utilized in connection with the methods of the present invention may be designed based on modifications of a standard CD-R disc. The standard CD-R disc is a "forward" disc, in which the operational structure is positioned at the laser-distal surface of the operational layer. When the operational structure of a forward disc is a wobble groove, the disc is also referred to as a "forward wobble" disc. A forward wobble disc has its wobble groove positioned on the second surface or the laser-distal surface of the operational layer.

FIG. 6 illustrates a forward disc 150. Laser beam 152 enters the operational layer 158 at its first or laser-proximal surface 154. The light is bent according to the refractive property of layer 158. The focus of the laser beam 152 encompasses the bottom of wobble groove 160. Wobble groove 160 is embossed in the second or laser-distal surface 156 of layer 158. Reference numeral 159 denotes a land of the wobble groove.

FIGS. 7 and 8 illustrate the forward discs that may be employed in the methods of the present invention. The forward optical disc assembly 224 in FIG. 7 includes an operational layer 226 which has wobble grooves in its laser-distal surface. The wobble grooves are coated with a reflective layer 228 containing a reflective material, such as gold. The reflective layer 228 may be semi-reflective in which case some of the energy of the incident

beam will pass therethrough. The operational surface has a cutaway area at location 229 which allows laser light 230 to pass through the wobble grooves and reach another reflective layer 232. The reflective layer 232, which contains reflective material and preferably is highly reflective, can be deposited on a top cover layer 234 that can provide a stable surface  
5 for the reflective layer 232. Assembly 224 also has an analyte section 236 that is configured to receive analytes of interest. The tracking of the disc is performed by the laser beam 230 when it encounters the reflective layer 228 that covers the wobble grooves. The size and configuration of the cut-away portion 229 is calculated to allow the laser to resume tracking before control of the disc is lost by the disc drive's tracking mechanism. The reflective layer  
10 232 permits the laser beam to return to a detector in the disc reader after the laser beam passes through the cut-away portion 229 to the analyte section 236.

As used herein, a "cut-away" area refers to an area in the operational surface, wherein the area either lacks operational structures or the operational structures in the area are changed in certain ways. The operational structures in a cut-away area or window may be  
15 deprived of reflective coatings, or be coated with a reflective material having a different reflectivity than the reflective material coated on other regions in the operational surface. In a preferred embodiment of discs used in conjunction with the methods hereof, one surface of the analyte section is adjacent to a cut-away area or window, or includes the cut-away area or window.

FIG. 8 shows another forward optical disc that includes an investigational structure  
20 354. The operational layer 344 includes the operational structures that are embossed at its laser-distal surface and coated with a reflective layer 350. The operational layer serves as a lens layer and can focus the laser beam 352 on the operational structures. The analyte section 346 is configured to hold the investigational structure 354, which is within the focal zone 356  
25 of the optical disc reader's laser. The laser beam 352 may pass through a cut-away area or window 348 and be focused on the investigational structure 354. The cut-away area or window lacks the reflective coating. The disc assembly has a second reflective layer 360 that is positioned laser-distal to the operational structures and capable of reflecting laser light. The cover 358 is laser-distal to the second reflective layer. The analyte section 346 includes  
30 the cut-away area or window 348 upon which the investigational structure 354 is positioned.

As used herein, a laser's focal zone refers to the range of distance within which the laser's focal point may be positioned. In a standard CD drive, the laser's focal zone is about 25 to 26 micrometers. Thus, the laser's focal point can move above and below a trackable

surface in a range of about 12.5 to 13 micrometers. Some variations (about  $\pm 2$  micrometers) are allowed for the movement. Accordingly, in a preferred embodiment, the analyte section is capable of positioning an analyte at least within about 15 micrometers from the trackable surface in order for the laser reading beam of the optical disc reader to be focused on the analyte. When a hologram is used to encode operational structures, the analyte preferably is located within about 15 micrometers from the image plane of the hologram. In one embodiment, a surface of the analyte section is located within about 15 micrometers from the trackable surface or the image plane of the hologram. The surface of the analyte section may also be capable of receiving the analyte. The surface of the analyte section may be part of a larger surface of the analyte section. The 15 micrometers limitation may be modified in a modified optical disc reader.

In a preferred embodiment, the optical disc assembly utilized with the methods of this invention employs a spiral wobble groove to provide operational signals. As used herein, a spiral wobble groove can be considered as a series of wobble grooves connected consecutively to form a spiral track. The depth of the wobble groove is preferably from 50 to 100 nanometers, including 65 nanometers, 70 nanometers, 73 nanometers, and 100 nanometers. More preferably, the depth of the wobble groove is approximately  $1/8$  of the effective wavelength of the laser light in the layer that is located immediately laser-proximal to the operational surface. Such a depth may provide a strong tracking signal. The groove may also have a depth approximately equal to any odd multiple of  $1/8$ th of the effective wavelength, such as  $3/8$ ths or  $5/8$ ths. The depth of the groove may remain substantially constant along the wobble groove. The periodic perturbation of the wobble may provide the information for tracking.

Preferably, no dye is laid down in the wobble groove, or the dye is laid down in discrete patterns so as to facilitate drive control during the examination of investigational features. The present invention discovers that a conventional CD-R wobble groove without dye is readable by a standard optical disc reader. The groove can be coated with a layer of reflective material, such as gold, or semi-reflective material. The reflective layer preferably is positioned sufficiently close to the groove structure so as to provide adequate reflection when the laser light focuses on the groove structure. In addition, the pitch and angle of the groove walls can be selected to facilitate the detection of investigational features that are placed on or between various surfaces or layers in the disc.

In accordance with one aspect of the present invention, the optical disc assembly employed therein is a "reverse" disc. The operational structures in a reverse disc are imprinted or impressed in the laser-proximal surface of the operational layer. When the operational structure is a wobble groove, the reverse disc may also be referred to as a "reverse wobble" disc. A reverse wobble disc has the wobble groove impressed in the laser-proximal surface of the operational layer. A standard CD-R disc has the wobble groove impressed in the laser-distal surface of the operational layer.

FIG. 9 depicts a reverse wobble disc assembly 162. The reverse wobble disc assembly 162 includes an operational layer 164 and a cover 166. The operational layer 164 is further shown in an enlarged view 168. Cover 170 represents the enlarged view of cover 166. Cover 170 provides the most laser-proximal layer in the disc assembly. The laser beam 172 enters cover 170 at its laser-proximal surface 174. The laser beam at surface 174 is bent due to the refractive property of cover 170. The laser exits the cover and is focused on the wobble groove 176 which is embossed in the laser-proximal surface 178 of the operational layer 168. The laser may or may not pass through the wobble groove to reach other layers.

FIG. 10 shows a reverse wobble disc including an investigational structure. The cover 362 acts as a lens to focus the laser beam 364 onto the operational structures. The laser beam 364 may also be focused on the investigational structure 366, depending the reflectivity of the investigational structure 366. The investigational structure 366 is held in the analyte section 372 which is between the operational layer 370 and the cover layer 362. The analyte section 372 lies within the laser's focal zone 368 which also encompasses the operational surface. The operational structures are covered by a reflective layer 374.

The process for manufacturing a reverse wobble disc is different from the process for making an industry standard forward wobble disc. FIGS. 11 and 12 demonstrate the difference between making a reverse wobble disc and making a forward wobble disc. The process for making a normal, forward wobble CD-R is shown at 188, whereas the process for making a reverse wobble disc is shown at 190. In both cases, a master 192 is made. A father stamper 194 is made from master 192, as appreciated by those of skill in the art. A mother 196 is made from the father stamper 194. The image embossed in the mother 196 is thus a duplicate of the original master 192. To make a forward wobble disc, a son stamper 198 is further made from the mother 196. The son stamper 198 has an image identical to that of the father stamper 194. A forward wobble disc, as shown in FIG. 12, is then made from the son stamper. In contrast, a reverse wobble disc 202 is made from the mother stamper.

FIG. 12 further illustrates the difference between manufacturing a forward wobble disc and manufacturing a reverse wobble disc. The son stamper 198' is identical to the son stamper 198 in FIG. 11. The son stamper 198' is used to create a wobble groove on the laser-distal surface 208 of the substrate layer 204, therefore creating a forward wobble disc. Surface 208 may be coated with a dye layer 210 that is further layered with a reflective coating 212. Preferably, the surface 208 is directly coated with the reflective coating 212 without the dye layer 210. The laser beam of the disc reader can travel through the most laser-proximal surface 206 and then the operational layer 204 to reach the surface 208. The surface 208 is the operational surface.

In comparison, the reverse wobble discs 214 and 202' are made from the mother stamper. The wobble groove in the reverse wobble disc 214 is positioned at the first or laser-proximal surface of the operational layer 216. Surface 218 is the second or laser-distal surface of the operational layer 216. The cover 222 is capable of focusing the laser beam on the wobble groove. To facilitate the reading of the wobble groove, a reflective layer 220 is deposited on the first surface of layer 216. The first surface of layer 216 is the operational surface. As viewed from the optical pick of the optical disc reader, the operational surface of the reverse wobble disc 214 appears to have the same image as the operational surface 208 of the forward wobble disc.

A reverse wobble disc can be manufactured so that the spiral of the wobble groove moves from the inner diameter of the disc to the outer diameter of the disc when the disc is spun counter-clockwise as viewed from the laser. This configuration is the same as used by a conventional forward wobble disc.

In another embodiment, a reverse wobble disc can be prepared using a process similar to process 190 in FIG. 11. However, the wobble groove in the master disc has a reverse image of the wobble groove in the master disc 192. The reverse wobble disc thus prepared has the wobble groove impressed at the laser-proximal surface of its operational layer. A standard CD-R or CD-RW reader can track both the reverse wobble disc of this embodiment and the reverse wobble disc manufactured using the master disc 192. The disc tracking is dependent upon the frequency of the wobble. Likewise, a forward wobble disc can be created using process 188 but with a master disc having a reverse image of the master disc 192.

FIG. 13 demonstrates a reverse disc according to one embodiment of the present invention. The reverse disc 240 includes an operational layer 242 that includes a wobble groove 250 at its laser-proximal surface. The wobble groove 250 is coated with a reflective

layer 248 that contains reflective material, such as gold. The laser beam 246 can be focused by the cover 244 upon the wobble groove 250 or upon the reflective layer 248. The assembly 240 permits investigational structures to be placed in the analyte section 252 and to be examined by the laser beam 246.

5 For more information about optical discs in which operational structures are positioned in the laser-proximal surface of the operational layer, see U.S. Patent Application Serial No. 09/421,870, entitled "Trackable Optical Discs With Concurrently Readable Analyte Material," which is incorporated herein by reference.

10 In accordance with one aspect of the present invention, various types of data or information can be digitally encoded in the disc assembly. These data or information may be encoded in accordance with industry standards, such as CD or DVD standards, or standards modified therefrom. These encoded data or information may control or facilitate an optical disc reader to track the disc assembly or detect investigational structures that are disposed in the disc assembly.

15 Investigational structures that are disposed in an optical disc assembly can be read or detected using an optical disc reader, such as a CD reader or a DVD reader. As used herein, CD readers include, but are not limited to, CD-ROM readers, CD Recordable (CD-R) readers, CD-Rewriteable (CD-RW) readers, or any reader capable of reading CD-format discs. Industry standard CD readers may be used in the present invention. Preferably, a standard  
20 CD-RW reader or a modification thereof is used in the present invention. As used herein, DVD readers include, but are not limited to, DVD-R readers, DVD-RAM readers, DVD-RW readers, or any reader that can read DVD-format discs. Industry standard DVD readers may be used. As would be appreciated by one of skill in the art, other CD readers, DVD readers or optical disc readers, including those that have been or will be developed in the future, may be  
25 used in the present invention. An optical disc reader may read both CD and DVD discs.

Signals indicative of the presence or other properties of an investigational structure can be generated by an optical disc reader. The disc reader directs a reading beam of electromagnetic radiation, typically a laser beam, to the optical disc assembly in which the investigational structure is disposed. The disc reader can scan the reading beam over the  
30 optical disc assembly. As used herein, a reader scans a beam over a disc if the reader can scan the beam over at least an area of the disc, for instance, the area in which the investigational structure is held. The scanning beam can be either reflected from or transmitted through the disc assembly. The reflected or transmitted radiation may be acquired

by a detector in the disc reader. Radiation thus acquired can be used to produce signals indicative of the presence or other properties of the investigational structure. Different types of lasers with different wavelengths may be used in the present invention. Whereas a standard optical disc reader is used, the disc reader may be connected to circuitry for processing the signals indicative of the presence or other properties of the investigational structure.

Radiation acquired by the detector of the optical disc reader can also be used to generate operational signals, such as focusing servo signals, tracking servo signals, synchronization signals, power control signals, or logic signals. The focusing servo signals can be generated from at least three focusing techniques: critical angle focusing, knife edge focusing, and preferably, astigmatic focusing. Tracking servo signals can be generated from at least four types of tracking techniques: one beam-push-pull tracking, three beam outrigger tracking, differential phase detection tracking, and one beam high frequency wobble tracking. Synchronization signals may be generated from at least three different methods: bit clock synchronization or bit pattern synchronization, zoned clocking method, and wobbling groove synchronization. Other techniques may also be employed to generate focusing servo signals, tracking servo signals, or synchronization signals. Logic signals can be produced from various optical disc formats. Logic signals can be used to perform position sensing, power control, radial and tangential location, layer sensing, density detection, or other functions.

Preferably, the optical pickup of a standard CD reader is used to both track the optical disc assembly and detect the investigational structure disposed therein. FIG. 14 illustrates an example of the optical pickup of a standard CD reader. The optical pickup 254 contains a laser source 260, which typically is a laser diode. The laser source emits a laser beam 262. The laser beam is collimated by a collimator lens 264. The collimated beam is then directed toward the optical disc through a polarization beam splitter 266. The objective lens 268 focuses the laser beam onto a small spot on a surface in the optical disc. In FIG. 14, the surface is the operational surface of a CD-type optical disc, which contains pits and lands 256. The surface preferably is coated with a reflective layer, so that the laser beam can be reflected therefrom and then directed by the objective lens 268, the mirror 270, and the quarter wave plate 272 to the beam splitter 266. As the light is now polarized in a different direction as compared to the source polarization, it can be directed by the beam splitter towards the photodiode detector 274. A cylindrical lens 276 may serve as an astigmatic element to introduce astigmatism in the reflected laser beam for the purpose of focusing.

In a preferred embodiment, the laser beam is split into three beams, consisting of a main beam and two tracking beams, and the detector is a quad detector. FIG. 15 shows a quad detector 278, which includes a central quad detector 280 flanked by two additional sensor elements E identified by reference numeral 281, and F which is identified by reference numeral 282. The main beam is centered on a track defined by pits in a CD-ROM disc. The tracking beams fall on either side of the track. By design, the three beams are reflected from the optical disc and then directed to the quad detector 278 such that the main beam falls on the central quad detector 280, which includes sensor elements A, B, C, and D, while the tracking beams fall on the sensor elements E 281 and F 282. The sum of the signals from the central quad detector, i.e.  $A + B + C + D$ , provides the radio frequency (RF) signal 284, also referred to as the high frequency (HF) or the quad-sum signal. A tracking error signal (TE signal) 288 may be obtained from the difference between E and F. Because astigmatism is introduced by the cylindrical lens astigmatic element, a focus error signal (FE signal) 286 may be obtained from the difference between  $A+C$  and  $B+D$  signals. Other combinations of the signals from A through F may be obtainable, as appreciated by those of ordinary skill in the art. These combinations of signals may be used to track the disc and read the investigational structure disposed in the disc. A quad detector and a similar optical design may be employed in a DVD reader.

In one embodiment, the quad-sum signal is used for extracting information indicative of the presence or other properties of the investigational structure disposed in the disc assembly. Preferably, the disc assembly includes a wobble groove that is trackable by a disc reader. Suitable disc readers include CD readers or DVD readers. The use of the wobble groove enables the segregation of the tracking signal from the quad sum signal, permitting the quad sum signal to be used to detect signals from investigational structures. If the investigational structure is small enough, an electrical deflection may be detected in the quad-sum signal, while no such a deflection, or a comparatively smaller electrical impulse, will be noted in the tracking signal or the focusing servo signal.

A large investigational feature may also be detected by using the quad-sum signal without losing the tracking of the disc assembly. In such a case, a forward disc, such as those shown in FIGS. 31 and 37, is preferably used. The ability of an operational structure, such as the wobble groove, to permit both disc tracking and analyte detection is herein referred to as segregation of tracking from investigational structures.

The signals produced from a wobble groove can be used by the disc reader to maintain a constant linear scanning velocity at all points on the disc. This allows determination of the dimensional information of the investigational structure that is placed in the disc. Therefore, wobble grooves, or a combination of pits and wobble grooves, are the preferred operational structures employed in this invention.

Although the above-described embodiment uses the quad-sum signal and the wobble groove, signals other than the quad-sum signal and operational structures other than the wobble groove may be used for the detection of investigational structures. For instance, the focus error signal obtained by the critical angle method, as described in U.S. Patent No. 5,629,514, may be used. The Foucault and astigmatism methods, as described in "The Compact Disc Handbook," by Pohlmann, A-R Editions, Inc. (1992), may also be employed. In addition, the tracking error signals obtained using the single beam push-pull method as described in "The Compact Disc Handbook," by Pohlmann, A-R Editions, Inc. (1992), the differential phase method as described in U.S. Patent No. 5,130,963, or the single beam high frequency wobble method can be used for the present invention. The block error rate information, such as those used by a CD reader to reduce the effect of scratches on a CD surface, or the movement of the focusing servo may be used.

For more optical pickup designs and operational signals that may be used in the present invention, see "Compact Disc Technology," by Nakajima and Ogawa, IOS Press, Inc. (1992); "The Compact Disc Handbook," by Pohlmann, A-R Editions, Inc. (1992); "Digital Audio and Compact Disc Technology," by Baert et al. (eds.), Books Britain (1995); "CD-Rom Professional's CD-Recordable Handbook: The Complete Guide to Practical Desktop CD," Starrett et al. (eds.), ISBN: 0910965188 (1996). All these references are incorporated herein in their entirety by reference.

U.S. Provisional Application Serial Nos. 60/270,095 and 60/292,108 further detail how to extract or process signals indicative of the presence of an investigational structure disposed in an optical disc assembly. Both applications are incorporated herein by reference.

FIGS. 16 and 17 illustrate a measurement of investigational structures using an optical disc assembly according to one embodiment used with the methods of the present invention. The analyte section is laser-proximal to the operational layer, and is positioned between the operational surface and a lens layer. FIG. 16 depicts the position of the investigational structures 800 with respect to the tracks 802, 804, 806, and 808. The investigational structures 800 are held in the analyte section and positioned on the operational surface. The

investigational structures 800 represented in FIG. 16 are 2.8 micron magnetic beads. Tracks 802, 804, 806, and 808 are embossed in the operational surface. Each track preferably is in the form of a wobble groove.

FIG. 17 shows the HF signals 802', 804', 806', and 808' that are respectively acquired  
5 along the tracks 802, 804, 806, and 808. The HF signals shown in FIG. 17 have been digitalized and buffered. The HF signals 802', 804', 806', and 808' demonstrate the existence as well as the approximate dimension of the investigational structures 800.

FIGS. 18 through 24 illustrate the measurement of a gnat wing disposed in an optical disc assembly. FIG. 18 is a cross-sectional view taken perpendicular to a radius of the optical disc assembly. In FIG. 18, the optical disc assembly includes an operational layer 814, a first  
10 reflective layer 816, a second reflective layer 810, and a cover 812. The analyte section 826 is located between the second reflective layer 810 and the operational layer 814. The operational surface 818 is the laser-distal surface of the operational layer 814. The operational surface 818 is embossed with tracks of operational structures, preferably, wobble  
15 grooves. The operational surface 818 is covered by the reflective layer 816. The operational surface has a cut-away area or window 824 that may lack the reflective coating 816. The gnat wing 822 is located in the analyte section 826 and positioned upon the cut-away area or window 824. The laser beam 820 can pass through the operational layer 814, the cut-away area or window 824 and the gnat wing 822, and then be reflected by the reflective layer 810.

FIG. 19 diagrammatically shows the position of the gnat wing 822 relative to the  
20 tracks embossed in the operational surface. T1 denotes a track upon which the gnat wing is positioned. FIG. 20 shows the HF signal acquired along the track T1. The HF signal has been digitalized and buffered.

In FIG. 19, the Y-axis, labeled with "TRACKS," represents the number of tracks  
25 along a radius of the disc assembly. The X-axis, labeled with "TIME (SAMPLES)," represents the number of sampling along a track. For instance, the gnat wing can be sampled by the disc reader along the track T1 at least about 800 times (from sample number 1550 to sample number 2350).

FIG. 21 shows the position of the gnat wing 822 relative to the tracks T2 and T3. FIG.  
30 22 demonstrates the HF signals for a series of consecutive tracks between T2 and T3.

FIG. 24 is a high-density compilation of the HF signals for the tracks across the gnat wing. The image of the gnat wing appears in FIG. 24. FIG. 23 shows the position of the gnat wing 822 relative to the tracks.

In accordance with another aspect of the present invention, the optical disc reader includes an objective lens focusing mechanism that is capable of focusing the disc reader's laser onto different surfaces in the disc assembly. In one embodiment, the focusing servo 290 shown in FIG. 25 includes a coil and magnet casing surrounding the objective lens. The objective lens 292 directs the laser 294 onto the surface 296 of the disc. Then the laser light travels through a lens layer, and focuses onto the operational surface 298. The operational surface includes operational structures, such as wobble grooves, or pits and lands. The objective lens is held by a brace 302 which is part of the moving coil controlled by the magnet 306. The magnet 306 is activated by the signal generated when the laser light 294 returns from the disc to the detector of the disc reader. The moving coil 304 and the objective lens can move within the range 308. The range 308 controls the range of the laser's focal zone.

The focusing servo of the present invention may move the laser's focal point across the laser's focal zone. The laser's focal point may represent the point where the focusing servo finds a maximal amount of light returned to the disc reader's detector. The location of the laser's focal point therefore may be affected by the reflective properties and other optical properties of various elements located in the optical disc assembly. For instance, where the optical disc assembly is based on the modification of a conventional CD-R, the focal point may be at the reflective layer which may contain gold or other reflective material.

More than one reflective layer, including semi-reflective layers, may be constructed within the laser's focal zone. The reflective layers in the focal zone can create a level of signals, the voltage of which is affected by the position of the focal point and the reflectivity of the reflective layers. The focusing servo may be able to search for a focal point from which the light returned to the detector is maximal.

In a preferred embodiment, the operational structures in the optical disc assembly are designed to provide an improved detection for the investigational structures. The investigational structures may be cells, microorganisms, or any other biological, biochemical, or chemical specimens. In one instance, the pits, lands, or wobble grooves are reconfigured to enhance tangential resolution. In another case, the pits are shortened or the wobble is changed to provide a lower scanning speed in order to increase the radial resolution. In yet another instance, the lens layer is changed to PMMA or other material to improve optical response. The lens layer may also be made thicker or thinner to make the focal spot smaller or larger, therefore providing higher or lower energy distributions on the detector. The

operational structures may be interleaved to provide dynamic responses for enhancing imaging.

The present invention contemplates a variety of embodiments of the optical disc assembly. For instance, the optical disc can be a forward disc or a reverse disc. The optical disc can have more than two reflective layers. The operational structures can include pits, lands, grooves, wobble grooves, dye marks, chevron marks, or any combination thereof. The operational structures may act as phase components or create interference patterns that provide tracking and synchronization information to the disc drive. The operational structures can be in a CD format (including a CD-R and CD-RW format), or a DVD format (including a DVD-R format, a DVD-RW format and a DVD-RAM format), or any combination thereof. The operational structures can be physically imprinted in a surface of the operational layer, or encoded in a hologram. A custom format for operational structures may also be used, and the disc assembly is read by a custom decoding device. Different surfaces in the optical disc assembly can be metalized or coated with materials with a variety of reflective properties. The coatings may be reflective, semi-reflective, transmissive, semi-transmissive, or anti-reflective. The materials used in the various layers may be dielectric or non-dielectric. Moreover, the operational layer may be created using different processes, such as molding, electroforming, or web manufacturing.

The analyte section of the optical disc assembly can be configured to receive an insert that holds the analyte of interest. The insert can be glass or plastic. The insert may be a sample slide regularly used for examining biological, biochemical, or chemical samples. The insert may be replaceable or integrated with the disc assembly. The insert may hold chemical, biological, biochemical, or other physical specimens. Chemical, biochemical, or biological reactions, including molecule-molecule bindings or enzymatic reactions, can be performed either on the insert or in the analyte section. Products of these chemical, biochemical, or biological reactions may generate optical effects on the incident laser light that can in turn be detected by the disc reader. The insert may function as a cover layer or a lens layer.

The analyte section may include investigational structures that are replaceable or integrated with the disc assembly. The investigational structures may contain light absorbing, light reflecting, or anti-reflective materials, so that they may be detectable by the optical pickup of the disc reader. The focusing servo may search for the focal point with maximal return light. Such a focal point may depend on the reflectivity of the investigational structures.

The analyte section or any other layer in the disc assembly may include channels or chambers, including microfluidic channels, through which analytes, investigational features, or reactive components may enter or exit the analyte section. These channels or chambers may also be used to hold the analytes or investigational features for investigation.

5           The optical disc assembly used in the present invention preferably includes a lens layer. The thickness of the lens layer may be about 1.1 mm to 1.3 mm, including about 1.2 mm. Such a lens layer may be used in a disc assembly that is modified from a CD-type disc. The thickness of the lens layer may also be about 0.6 mm, and can be used in a disc assembly  
10           modified from a DVD-type disc. The refractive index of the lens layer preferably is selected so that the laser of the disc reader can be focused in a desired manner. The lens layer may be made from a variety of materials, including glass, plastic, PMMA, polystyrene, polycarbonate, or dyed material. The lens layer may be flat or non-flat. The lens layer may be homogeneous or non-homogenous. The lens layer may be incorporated into the operational layer. The lens layer may contain at least part of the analyte section.

15           The lens layer may also contain molded features, such as cavities, inlet and vent ports, channels, or waveguides. The lens layer may function as a cover to protect the operational layer or other layers of the disc assembly. The lens layer may provide physical support for other layers in the disc, or for the investigational structures or analytes that are associated with the disc. The lens layer may be either laser-proximal or laser-distal to a reflective layer  
20           or a semi-reflective layer.

In a preferred embodiment, the operational layer includes a hologram. The operational structures are encoded in the hologram. Preferably, the hologram is a reflective hologram, and is protected by a transparent protective coating located laser-proximal to the hologram. FIG. 26 shows an optical disc assembly including a reflective hologram 512 which  
25           is protected by a transparent protective coating 514. The hologram encodes the operational structures, such as wobble grooves, that are required by the operation of the optical disc reader. When a laser beam 516 is reflected from the hologram physical plane 512, it appears as though the encoded operational structures, such as wobble grooves in a correct orientation, are present at the hologram image plane 518. The hologram image plane 518 can be located  
30           substantially confocal with the investigational structure 520. The investigational structure 520 may be positioned on the laser-distal surface 522 of the lens layer 524.

The laser beam may be focused on the image plane 518 that is shared by both the investigational structure 520 and the encoded operational structures. Therefore, light from the

image plane 518 may enable the disc reader to generate both the operational signals, such as the signals used for disc tracking, and the investigational signals that are indicative of the presence of the investigational structure. This feature allows the optical disc reader to track the disc and detect the investigational structure concurrently and discriminably. The larger the illuminating laser spot 526 on the hologram, the better the image of the operational structures as appeared in the image plane 518. Therefore, the laser preferably is not tightly focused on the hologram physical plane. Typically, a portion of the hologram physical surface may be sufficient to generate the entirety of the image of the operational structures that are interferometrically encoded in the hologram.

10 The hologram image plane may be positioned non-concurrently with the investigational structure, provided that the operational structures, such as the wobble groove, can be concurrently detectable with the investigational structure. The image plane of the hologram may be either laser-proximal or laser-distal to the investigational structure. In addition, the hologram image plane may be either laser-proximal or laser-distal to the  
15 hologram's physical plane.

Preferably, the hologram is replaceable or reversibly attachable to the disc assembly. This permits the hologram to be mass-produced using a high-speed holographic printing process. This also permits the re-use of the hologram or other parts of the disc assembly.

In another preferred embodiment, the operational structures in the optical disc assembly are configured and organized in accordance with the "zoned constant linear velocity" (ZCLV) format. The ZCLV format is detailed in various industry standards, including the DVD-RAM specification. FIG. 27 schematically illustrates the ZCLV format in a circular disc. The ZCLV disc in FIG. 27 is divided into multiple zones 490 across the range  
20 492. Although only five zones are shown in FIG. 27, actual ZCLV format discs may have different numbers of zones. For instance, the DVD-RAM ZCLV format allows 24 zones.

Each of the zones 490 is divided into multiple sectors 494. Inner zones have fewer sectors than outer zones, because the radii of inner zones are less than the radii of outer zones. The optical disc reader can scan each zone at a constant rate. In addition, the optical disc reader can rotate the ZCLV disc faster when it scans the inner zones than when it scans the  
30 outer zone. Therefore, the optical disc reader may maintain a substantially constant scanning rate for all the zones in a ZCLV disc.

FIG. 28 shows an enlarged perspective view of a portion of one of the sectors of the ZCLV disc. The operational structures consist of multiple tracks 498 that are arranged

radially within the sector. Each track has header information embossed in a "pre-groove" area 500. The pre-groove area is followed by a "wobbled land and groove" area 504 which includes the wobble groove 498 and the wobbled land 502. Operational structures in a ZCLV format may be holographically encoded in a hologram.

5           FIG. 29 shows a ZCLV-formatted optical disc assembly associated with analytes or investigational structures 510. Analytes or investigational structures 510 may be deposited within the "wobbled land and groove" area 508. The embossed header information in the pre-groove area 506 can be used to store information for identifying or controlling a desired measurement of the analytes or investigational structures 510. Accordingly, different sectors  
10 in the same ZCLV disc may be used to perform different measurements or assays.

In one embodiment, the zones in a ZCLV formatted disc can be mastered in such a way as to provide either a highly reflective surface, a partly reflective surface, or a non-reflective surface. In each case, the pre-header information can provide tracking and location information. The pre-header information may also provide identification information for the  
15 nature of the zone. In addition, the pre-header information may encode information relating to the software or firmware that is applied to the zone. The characteristics of the investigational structures (such as their reflectivity, absorptivity, or transmissivity) can be determined by the disc laser as it scans over each zone.

In a preferred embodiment, the optical disc assembly includes a semi-reflective layer  
20 which is both transmissive and reflective to the laser light. The semi-reflective layer is usually a thin layer of reflective or semi-reflective material, such as silicon, tellurium, selenium, bismuth, aluminum, silver, copper, or other suitable metals or alloys. The thickness of the layer may range from 10 nm to 100 nm. The reflectivity of the semi-reflective layer may range from about 18 to 30%. The reflectivity of the semi-reflective layer may also range  
25 from about 30 to 40%. The semi-reflective layer may be used to coat operational structures. Whereas the reflectivity of the semi-reflective layer is low, for instance, below about 30%, a CD-RW reader or a DVD reader preferably is used to read the operational structures that are coated with the semi-reflective layer.

FIG. 30 illustrates a forward optical disc assembly that includes a semi-transmissive,  
30 semi-reflective layer. The semi-transmissive, semi-reflective layer 530 is placed on the operational structures which are embossed in the laser-distal surface of the operational layer 528. Reference numeral 534 shows an operational structure coated with the layer 530. The reflectivity of the layer 530 can return sufficient light to render the operational structures

detectable by the disc reader. The laser beam 532 can also pass through the layer 530 to enter the analyte section 531 which is configured to hold the analyte 538. The analyte section 531 and the analyte are within the laser's focal zone 536. The laser beam 532 can be reflected back from another reflective layer 533 which is laser-distal to the semi-transmissive, semi-reflective layer 530 and which preferably is highly reflective. This latter reflected light may carry signals indicative of the presence of the analyte. The laser's focus is able to roam within the focal zone 536.

FIG. 31 illustrates a forward pass-through disc assembly which permits the laser light 540 to pass through the top refractive layer 542 to a top detector of the disc reader. The laser 540 is focused by the lens layer 544, which is also the operational layer. The operational features are coated with a semi-reflective 548. Reference numeral 546 shows a coated operational feature. The analyte 550 is placed in the analyte section 552 which is situated between the lens layer 544 and the top refractive layer 542. Samples including solutions may be directed to and expelled from the analyte section 552 through channels or other means. The laser's focus, driven by the laser's focusing servo, can roam within the focal zone 554. The coated operational features and the analyte 550 are both placed within the focal zone and can be detected concurrently and discriminably.

Light reflected from the semi-reflective 548 may be acquired by a bottom detector of the disc reader to generate operational signals. Light that passes through the semi-reflective layer may be modulated by the analyte 550 before acquired by the top detector. Therefore, the top detector may be used to extract information of the analytes that are placed in the analyte section.

In accordance with another aspect of the present invention, the optical disc assembly may include channels or chambers capable of transporting analytes, or reactive components or mediums to and from the analyte section. Analytes and other components can be mixed within these channels or chambers. Preferably, the analyte section also includes at least one chamber or channel that is capable of holding the analytes for investigation. More preferably, the operational surface includes a cut-away area or window which may be either laser-proximal or laser-distal to the analyte section and which may be adjacent to the analyte section. Most preferably, the analyte section includes a cut-away area or window as one surface.

FIG. 32 demonstrates a reverse disc assembly 578 including fluidic channels. The lens layer 570 is laser-proximal to the operational layer 572. The operational structures are

embossed in the laser-proximal surface of the operational layer 572. The plane 574 depicts the plane upon which the operational surface and the operational structures are located. The operational layer 572 includes channels 576 through which analytes or investigational structures can enter or exit the analyte section. The analyte section includes the channel 582  
5 that can be located either laser-proximal or laser-distal to the operational surface. The arrows associated with 576 and 582 indicate the direction of fluidic flow in the channels. The channel 582 and the operational surface are located within the focal zone 584.

FIG. 33 shows another reverse optical disc assembly 580 in which the analyte section, which includes channel 588, is either laser-proximal or laser-distal to a cut-away area or  
10 window. The operational surface is position on the plane 574'. The cut-away area or window is in the operational surface that is the laser-proximal surface of the operational layer 572'. The cut-away area or window preferably lacks operational structures or reflective coatings. Channels 576' direct the fluidic flow to and from channel 588. The operational surface, the cut-away area or window and channel 588 are within the focal zone 584'. Reference numeral  
15 570' denotes the lens layer.

FIG. 34 depicts a preferred reverse optical disc assembly. The lens layer 590 focuses the laser beam 592 either on the reflective layer 594 or on the analyte 596. The reflective layer 594 coats the operational structures located at the laser-proximal surface of the operational layer 604. The analyte 596 resides in the analyte section which includes the  
20 chamber 598. The chamber 598 is laser-proximal to the operational structures and laser-distal to the lens layer. The adhesive layer 600 binds the operational layer 604 to the lens layer 590. The channels 602 are etched into the operational layer 604. Analytes can enter and leave the analyte section 598 through channels 602. The operational layer 604 is covered by the cover 606. The operational structures and the analyte section are with the laser's focal zone 608.

FIG. 35 demonstrates a forward optical disc assembly 618 that includes fluidic  
25 channels 616 and 620. The operational layer 610 serves as a lens layer and is capable of focusing the laser beam 614 on the operational structures 612. The operational structures 612 are located at the laser-distal surface of the operational layer 610. Channels 616, located in the cover, can introduce analytes into the analyte section which includes the channel 620.  
30 The channel 620 can be either laser-proximal or laser-distal to the operational structures. Both the operational structures and the channel 620 are within the focal zone 622.

FIG. 36 shows a forward disc assembly 621 including a cut-away area or window 628 in the operational surface. The cut away area 628 is in the laser-distal surface of the

operational layer 610', and preferably lacks operational structures or reflective coatings. Other areas in the laser-distal surface of the operational layer 610' contain the operational structures 612'. The channel 626 in the analyte section can be either laser-proximal or laser-distal to the cut-away area or window 628. The focal zone 622' encompasses the operational structures 612', the cut-away area or window 628, and the channel 626.

FIG. 37 illustrates a preferred embodiment of a forward optical disc assembly which includes analyte channels 666. The analyte channels 666 are in, or immediately above, the lens layer 658. These channels are connected to the analyte section 668. The lens layer 658 is attached to the operational layer 662 through the adhesive layer 660. The lens layer 658 is laser-proximal to the operational layer 662. The operational structures at the laser-distal surface of the operational layer 662 are coated with a semi-reflective, semi-transmissive layer 664. The analyte section 668 is configured to receive analytes 670, and is located laser-distal to the semi-transmissive layer 664 and laser-proximal to another reflective layer 678. The reflective layer 678, which preferably is highly reflective, is laser-proximal to the cover 680. Laser beam 676 can pass through the lens layer 658, the adhesive layer 660, the operational layer 662, and the semi-transmissive layer 664 to focus on the analytes 670 or the reflective layer 678. The laser 676 can be reflected from the reflective layer 678. The laser focal point can move across the focal zone 674. Light reflected from layer 664 may carry operational information, whereas light reflected from layer 678 may carry investigational information.

FIG. 38 schematically demonstrates another embodiment of a forward optical disc assembly. The analyte section includes an analyte channel that can be located either laser-proximal or laser-distal to the cut-away area or window 698. The cut-away area or window 698 is at the laser-distal surface of the operational layer 692. The cut-away area or window preferably lacks operational structures or reflective coatings. Other areas in the laser-distal surface of the operational layer 692 include the operational structures 694. In FIG. 38, the cut-away area or window 698 is laser-proximal to the plane upon which the operational structures reside. Channels 696 are created in the cover layer of the disc assembly. Analytes or reaction components can enter or exit the analyte channel through channels 696. The laser's focal zone 693 encompasses the operational structures 694, the cut-away area or window 698, and the analyte channel. One of skill in the art will appreciate that, in view of FIG. 38, the cut-away area or window 698 may also be located laser-distal to the plane upon which the operational structures are disposed.

FIG. 39 illustrates a preferred embodiment of a forward optical disc assembly including a cut-away area or window. The cut-away area or window is laser-proximal to the plane upon which the operational structures reside. The operational structures are positioned at the laser-distal surface of the operational layer 724, and are coated by a reflective or semi-reflective layer 726. The cut-away area or window preferably lacks operational structures or the coating 726. The analyte section includes a chamber 728 that is etched into the operational layer 724. The cut-away area or window constitutes the most laser-proximal surface of the chamber 728. Fluidic flow 730 enters into the chamber 728 through channels 732 which cut through the cover layer 734. A reflective layer 736 is located laser-proximal to the layer 734 but laser-distal to the operational structures. The laser 738 encounters and detects the first analytes 740 which are deposited on the cut-away area or window. The fluidic flow 730 may also mix the first analytes 740 with the second analyte 742. The interaction between the analytes 740 and the analyte 742 may generate detectable signals. The laser's focal zone 744 encompasses the chamber 728. As would be appreciated by those of skill in the art, channels 732 may be created with the operational layer 724.

In one embodiment, the disc is a hybrid disc in that the operational surface contains at least two different formats of operational structures. For instance, the operational surface may contain operational structures in a CD format as well as operational structures in a DVD format. The disc reader may read both formats. Data facilitating or regulating the disc reader to read different formats of operational structures may be encoded or embossed in the disc.

In a preferred embodiment, data other than operational structures can be encoded or embossed in the operational surface or other surfaces in the disc assembly. These data may provide control information for the disc reader to read or detect the investigational structures. These data may regulate the measurement of investigational structures, for instance, by controlling valves that can manage fluidic flows in a fluidic circuit. These data, as well as the operational structures or other information, may be written to the disc before or after the investigational structures are read or detected.

The disc assembly may be used for detecting biological suspensions such as blood, urine, saliva, amniotic fluid, cerebrospinal fluid, synovial fluid, pleural fluid, pericardial fluid, peritoneal fluid. Environmental, biochemical and chemical samples may also be assayed using the disc assembly and related methods. The disc assembly may include embossed features, placed features or etched features.

The disc assembly may be a null type disc, a modified disc based on industry standard disc, such as a modified CD-R or a modified CD, or a disc based on a custom format. Preferably, the disc assembly does not have the dye layer as used in a CD-R or a CD-RW disc.

5           Although most features described above relate to optical disc assemblies that have only one operational layer, all the features suitable for disc assemblies having one operational layer may be applied to disc assemblies having at least two data layers. Each data layer in a multiple data layer disc contains data encoding either operational information or assay information. For instance, a DVD-type disc may be used for the present invention. The  
10           analyte section may be located between the two data layers of the DVD-type disc. An optical disc reader, preferably a DVD reader, can be used to read this type of optical disc. Logic information may be encoded in one of the data layers to regulate the movement of the laser's focal point within the disc assembly.

          In accordance with one aspect of this invention, the reading beam of the optical disc  
15           reader can be focused on different planes in the optical disc assembly. As shown in FIG. 34, the laser beam 592 can be focused either upon the reflective layer 594, which coats the operational structures, or upon the analyte 596, which is disposed within the analyte section. The movement of the laser beam's focus depends on the reflectivity of the analyte and the reflective layer. The focusing servo can search for the point from which a maximal amount of  
20           light return may be obtained. The presence of the analyte 596 changes the reflective pattern in the laser's optical path when the laser scans over the operational surface. The focusing servo makes a movement to respond to the reflectivity change created by the analyte. The focusing servo signal therefore may be used to detect the presence of the analyte.

          Similarly, FIG. 39 shows that the laser beam can move its focus from the semi-  
25           reflective layer 726 to the analytes 740. Analytes 740 are located in a plane that is laser-proximal to the plane in which the semi-reflective layer 726 is positioned.

          FIGS. 40 and 41 illustrate the mechanism used by a focusing servo of an optical disc  
reader to control the movement of the reading beam's focal point. The optical disc  
assemblies in FIGS. 40 and 41 are reverse wobble discs. In FIG. 40, the focusing servo 406  
30           has a range of motion in the direction 408 that is perpendicular to the operational surface. The focusing servo is retracted into the moving coil 412 so as to focus the laser light 414 onto land 416 in the operational surface. In FIG. 41, the focusing servo 420 is extended away from

the moving coil 422 in the direction 424, which is also perpendicular to the operational surface. In FIG. 41, the laser light 430 is focused at pit 428.

One limitation to the movement of the focusing servo is the working distance 432 of the brace of the focusing servo. The working distance may be about 25 to 26 micrometers, allowing the laser to be focused above and below the trackable surface in a range of about 12.5 to 13 micrometers, with  $\pm 2$  micrometers variation. Accordingly, an analyte preferably is positioned at least within 15 micrometers from the trackable surface. This limitation may be modified in a modified optical disc reader. A modified optical disc reader may read both optical discs of the present invention and standard CD or DVD discs.

When a DVD reader reads a DVD disc, the focal point of the laser beam can move from one data layer to the other data layer. The two data layers in a DVD disc are about 40 to 70 micrometers apart. Therefore, a DVD reader may allow the focus of the laser beam to move within a range of at least 40 to 70 micrometers. The movement of the focal point from one data layer to the other can be regulated by a logic switch encoded in the DVD disc. Together with the 25 to 26 micrometers allowed by the focusing servo, the focal point of the laser beam in a DVD reader can move within a range of about 85 micrometers (i.e. 70 micrometers plus 15 micrometers). Therefore, the analyte of interest can be positioned about 85 micrometers from one of the two operational surfaces of a DVD disc.

FIG. 42 diagrammatically illustrates the movement of the laser beam's focal point in an optical disc assembly 376. The focal point is within plane 384. The focal point can roam along the Z axis, which is the optical axis. The focal point may move from plane 380 to plane 386, depending on the focusing servo and other elements in the disc assembly. Detection of the analyte does not require the analyte to be positioned within the focal point.

FIG. 43 demonstrates that the laser's focal point may roam from a position that is laser-proximal to the operational structures, to a position that is laser-distal to the operational structures. In one case, the focal point is in plane 398 which is laser-proximal to the operational structures 400. In another case, the focal point is in plane 404 which is substantially confocal with the operational structures 400. In yet another case, the focal point is in plane 402 which is laser-distal to the operational structures 400. The laser's focal point may move in a direction perpendicular to the operational surface. Such a movement may be achieved by instructing the focusing servo using data encoded in the optical disc, or through a mechanism similar to that used by a DVD drive to move the laser's focus from one data layer

to the other data layer. The focusing servo may move the focus of the laser beam when the servo searches for a maximal amount of light return.

FIG. 44 shows the movement of the reading beam's focus in a forward disc assembly. The analyte section includes a chamber 564 that is located laser-distal to the operational layer 558. The operational structures 560 are impressed in the laser-distal surface of the operational layer 558 and are coated with a semi-reflective, semi-transmissive layer 562. Chamber 564 includes analytes 566. The laser can be focused by the operational layer 558 onto the analytes 566. The laser can also be focused onto a top reflective layer 568 which can reflect the reading beam back to the detector of the disc reader. The laser's focus can roam within the focal zone 556, searching for a maximal reflectivity. The focal zone 556 encompasses the chamber 564,

FIG. 45 shows another example of movement of the laser beam's focus in a forward disc assembly. The analyte section includes an analyte chamber capable of holding the analyte 638. The analyte chamber is connected to channels through which analytes or other components can enter or exit the analyte chamber. The flow of analytes or other components are represented by the arrow 640. The channels and the analyte chamber are laser-distal to the operational layer which includes operational structures coated by a semi-reflective, semi-transmissive layer 630. The laser beam 632 may be focused on the analyte 638, the reflective layer 634, or the semi-reflective layer 630. The choice of the focal point depends on the reflectivities of different elements in the optical path of the reading beam. The analyte chamber, the analyte, and the operational structures are within the focal zone 636.

FIG. 46 is yet another example that shows the roaming of the laser's focal point within a forward optical disc assembly. The operational layer 746 includes at its laser-distal surface operational structures that are coated with a reflective layer 748. An adhesive layer 749 binds the operational layer 746 to cover 750. A second reflective layer 751 is laser-proximal to the cover 750. The analyte section consists of the fluidic chamber 752 and is laser-proximal to the second reflective layer 751. An insert 756 forms one side of the fluidic chamber 752. Reflective analytes 758 are located within the chamber 752 for interrogation by the laser beam 760. Reaction medium, analytes, or other components can be introduced into the chamber 752 through channels 754. The laser's focal zone 762 encompasses the full range of the chamber 752. The insert 756 may lack a reflective coating. As the laser beam 760 scans over the operational surface, it reaches the analyte section and moves its focal point to the reflective analyte 758.

The spatial relationship between an analyte disposed in an optical disc assembly and the focal point of the reading beam can be in a variety of configurations. The analyte can be placed at any surface in the disc assembly, including the most laser-proximal or the most laser-distal surface of the disc assembly. The analyte can be placed in the disc assembly in  
5 such a way that it does not prevent the disc reader from tracking the disc assembly. To be detectable, the analyte need not be focused upon by the reading beam. Optical interference created by the analyte may provide sufficient signal for the detection of the analyte.

FIG. 47 demonstrates a situation in which the analyte 316 is positioned out of the focus of the laser beam 320. The analyte 316 is located within the focal depth of the laser  
10 beam 320. An analyte located within the laser beam's focal depth may be detected by the optical disc reader. In this case, the laser beam may be focused on the operational surface of disc 322. The analyte can create an optical interference with the laser beam, rendering the analyte detectable.

FIG. 48 depicts another situation in which analyte 330 is positioned after the focal  
15 point of the laser beam 332. The laser beam 332 passes through the operational layer 334. Analyte 330 is within the focal depth of the laser beam. Analyte 330 can create a detectable optical interference with the laser beam, rendering the analyte detectable.

Optical interference can be used to detect agglutination, coagulation, large-scale markers, biological elements, or signal elements such as beads. In one embodiment, optical  
20 interference may be calibrated using structures with known sizes and known optical properties.

In accordance with another aspect of the present invention, the operational structures, the laser's focus and the investigational structure can be interleaved in a variety of ways. For instance, the laser may be focused on the operational structures. The laser may also be  
25 focused in front of, or behind, the operational structures. The movement of the laser's focus may be dynamic, such as affected by the optical property of the investigational structure. This dynamic movement may provide a valid response to determine the investigational structure. The increase or decrease in energy in the operational signals may be used as a response for evaluating the presence of the investigational structure.

30 Investigational structures, which may be biological, chemical, or biochemical in nature, can have various spatial relationships with the operational structures. For instance, the investigational structures can be positioned within or among the operational structures, such as in a wobble groove. The investigational structures may be removed from the operational

structures. The response of the laser to the investigational structures may be characterized by a contrast in the energy that is returned from the operational structures. The investigational structures may be non-reflective, or provide phase cancellation, thereby generating signals characterized by a reduction in the amount of light returned to the optical pickup of the disc reader. The investigational structures may be reflective, and therefore provide more energy to the optical pickup. The investigational structures may provide energy back to the optical pickup through excitation by the reading laser beam. For instance, fluorescence may be emitted by the investigational structures upon excitation by the laser beam. Signals indicative of the presence of an investigational structure can be manipulated to create an image of the investigational structure.

In one embodiment, the laser's focus may be removed from the operational structures. The investigational structures may be positioned within, in front of, or behind, the laser's focal point or the operational structures. The investigational structures may be placed between the operational structures and the laser's focal point. In addition, the investigational structures may be positioned within the interference pattern created by the operational layer. For instance, where an optical disc assembly includes a hologram, the investigational structures may be located within, before, or after the image plane of the hologram. The investigational structures may also be located within the physical plane of the hologram.

In a preferred embodiment, chemical, biochemical, or biological reactions, or physical depositions or removals, may be performed in the analyte section. These reactions, depositions or removals may generate optical changes, such as the reflectivity or refractivity of the investigational structures or other components in the laser's optical path. These changes may be detected by the optical pickup of the disc reader. The reaction, deposition, or removal of materials may be triggered by the disc reader's laser. These reactions, depositions, or removals may change the optical properties in the laser's optical path, and therefore modify the laser's focus. Such a change in the laser's focus creates a detectable signal. In addition, the symmetry or other signals generated by pits, lands, grooves, or other operational structures may be changed by chemical, biochemical, or biological reactions, or physical depositions or removals.

In one embodiment, the introduction of a sample material into the analyte section may create an optical change that is detectable by the optical pickup. For instance, when a fluidic sample is brought into the channels or chambers in a disc assembly, the fluidic sample can change the refractive indexes in the optical path, or change the energy distribution or the

amount of returned light. These changes may be detectable. In another embodiment, a material with birefringence property is introduced into the analyte section to produce a detectable response.

5 It should be understood that the above-described embodiments are given by way of illustration, not limitation. Various changes and modifications within the spirit and scope of the present invention will become apparent to those skilled in the art from the above description. In addition, the reader's attention is directed to the provisional applications from which the present application claims priority. The contents of all these provisional applications are incorporated herein by reference.

**What is claimed is:**

1. A method for detecting at least one analyte held by an optical disc that includes optically readable structures, said method comprising the steps of:
  - 5 providing the optical disc to an optical disc reader;
  - directing at least one beam of electromagnetic radiation to the optical disc and scanning the beam over the optical disc;
  - acquiring radiation returned from or transmitted through the optical disc using a detector of the optical disc reader;
  - 10 generating from said acquired radiation at least one analyte signal that is indicative of the presence of the analyte; and
  - generating from said acquired radiation operational signals which enable the optical disc reader to track said optically readable structures.
- 15 2. The method according to claim 1 wherein the optical disc reader is a CD reader or a DVD reader.
3. The method according to claim 1 wherein said optically readable structures have encoded speed information, and the method includes generating from said acquired radiation  
20 signals which enable the optical disc reader to rotate the optical disc at a speed that is determinable from said speed information.
4. The method according to claim 3 wherein said analyte signal and at least one of said operational signals are generated at the same time.
- 25 5. The method according to claim 3 wherein said analyte signal and said operational signals are generated at different times.
6. The method according to claim 3 wherein said detector is a quad detector, and said  
30 analyte signal is a quad sum signal.
7. The method according to claim 3 wherein the optical disc includes a first layer which includes a surface impressed with said optically readable structures which are coated

with a first reflective layer, and the method includes focusing the beam on the first reflective layer.

8. The method according to claim 7 further comprising focusing the beam on the  
5 analyte.

9. The method according to claim 7 wherein the optical disc includes a second layer  
which is laser-proximal to the first layer, and the analyte is located between the first layer and  
the second layer.  
10

10. The method according to claim 9 wherein said surface of the first layer includes  
an area which lacks optically readable structures that have encoded tracking information, and  
said analyte signal is generated from radiation returned from said area or the analyte.

11. The method according to claim 7 comprising directing at least a portion of the  
15 beam to the analyte through the first layer.

12. The method according to claim 11 wherein the first reflective layer is semi-  
reflective and located laser-distal to the first layer, and at least a portion of the beam is  
20 returned from the first reflective layer to generate said operational signals.

13. The method according to claim 12 wherein the optical disc includes a second  
reflective layer which is laser-distal to the first layer, and at least a portion of the beam is  
returned from the second reflective layer or the analyte to generate said analyte signal.  
25

14. The method according to claim 13 wherein said surface of the first layer includes  
an area which lacks optically readable structures that have encoded tracking information, and  
the method includes directing at least portion of the beam to the analyte through said area.

15. The method according to claim 13 wherein said surface of the first layer includes  
30 an area which lacks a reflective coating, and the method includes directing at least a portion  
of the beam to the analyte through said area.

16. The method according to claim 13 comprising focusing the beam on the analyte.

17. The method according to claim 13 wherein the optical disc has encoded focus control information for controlling a movement of the beam's focal point, and the method  
5 includes reading said focus control information and directing a movement of the beam's focal point.

18. The method according to claim 17 wherein the optical disc has encoded assay information for conducting an assay on the analyte, and the method includes reading said  
10 assay information and conducting the assay on the analyte.

19. The method according to claim 7 wherein at least part of the analyte is within 85 micrometers from the first reflective layer.

20. The method according to claim 7 wherein at least part of the analyte is within 70  
15 micrometers from the first reflective layer.

21. The method according to claim 7 wherein at least part of the analyte is within 15 micrometers from the first reflective layer.  
20

22. The method according to claim 7 wherein at least part of the analyte is within a focal depth of the beam which is focused on the first reflective layer.

23. The method according to claim 7 wherein the optical disc includes a second layer  
25 which is laser-proximal to the first layer and which includes a surface impressed with optically readable structures which are coated with a second reflective layer, and the method includes moving the focus of the beam from the first reflective layer to the second reflective layer.

24. The method according to claim 3 further comprising the step of directing at least  
30 portion of the beam to pass through the optical disc to reach the detector.

25. The method according to claim 3 wherein said analyte signal is a focusing servo signal.

26. A method for detecting at least one analyte held by an optical disc that includes a  
5 hologram that has encoded trackable features, said method comprising the steps of:

providing the optical disc to an optical disc reader;

directing at least one beam of electromagnetic radiation to the optical disc and scanning the beam over the optical disc;

10 acquiring radiation returned from or transmitted through the optical disc using a detector of the optical disc reader;

generating from said acquired radiation at least one analyte signal that is indicative of the presence of the analyte; and

generating from said acquired radiation operational signals which enable the optical disc reader to track said encoded trackable features in an image plane of the hologram.

15

27. The method according to claim 26 wherein the optical disc reader is a CD reader or a DVD reader, and said beam of electromagnetic radiation is a laser beam.

28. The method according to claim 26 wherein the hologram has encoded speed  
20 information, and the method includes generating from said acquired radiation signals which enable the optical disc reader to rotate the optical disc at a speed that is determinable from said speed information.

29. The method according to claim 28 further comprising the step of focusing the  
25 beam on the image plane of the hologram.

30. The method according to claim 29 wherein at least part of the analyte is located within the image plane of the hologram.

30 31. The method according to claim 29 wherein the analyte is non-planar with the image plane of the hologram.

32. The method according to claim 29 further comprising the step of focusing the beam on the analyte.

33. The method according to claim 28 wherein said analyte signal and at least one of  
5 said operational signals are generated at the same time.

34. The method according to claim 28 wherein said analyte signal and said operational signals are generated at different times.

10 35. The method according to claim 28 wherein said detector is a quad detector, and said analyte signal is a quad sum signal.

36. The method according to claim 28 wherein said analyte signal is a focusing servo  
15 signal.

15

37. A method for detecting at least one analyte held by an optical disc that includes optically readable structures having encoded speed information, said method comprising the steps of:

20 providing the optical disc to an optical disc reader;  
directing at least one beam of electromagnetic radiation to the optical disc and scanning the beam over the optical disc;

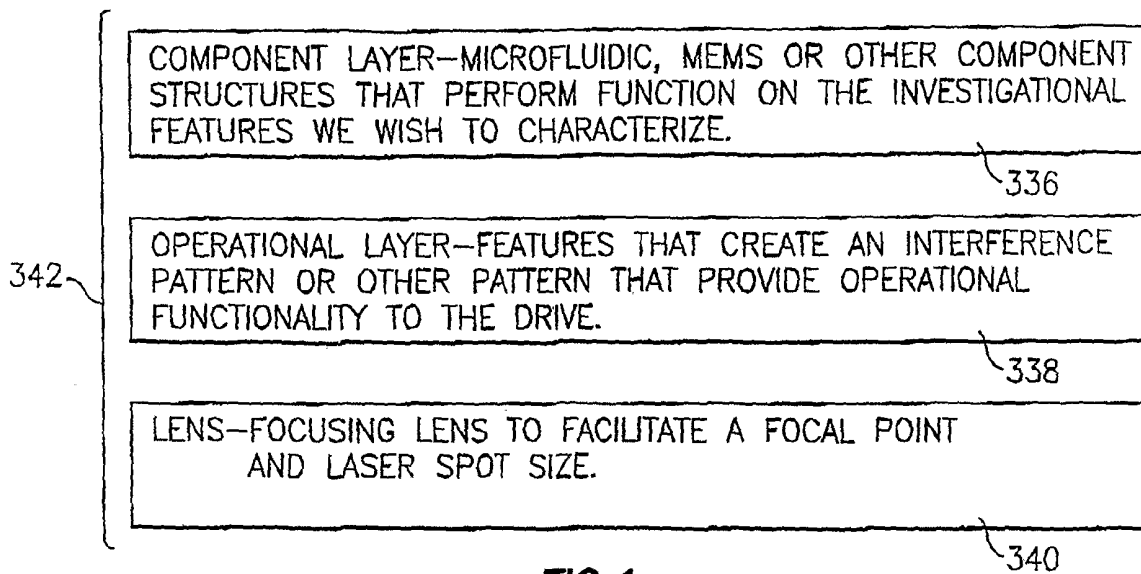
acquiring radiation returned from the optical disc using a first detector of the optical disc reader;

25 acquiring radiation transmitted through the optical disc using a second detector of the optical disc reader;

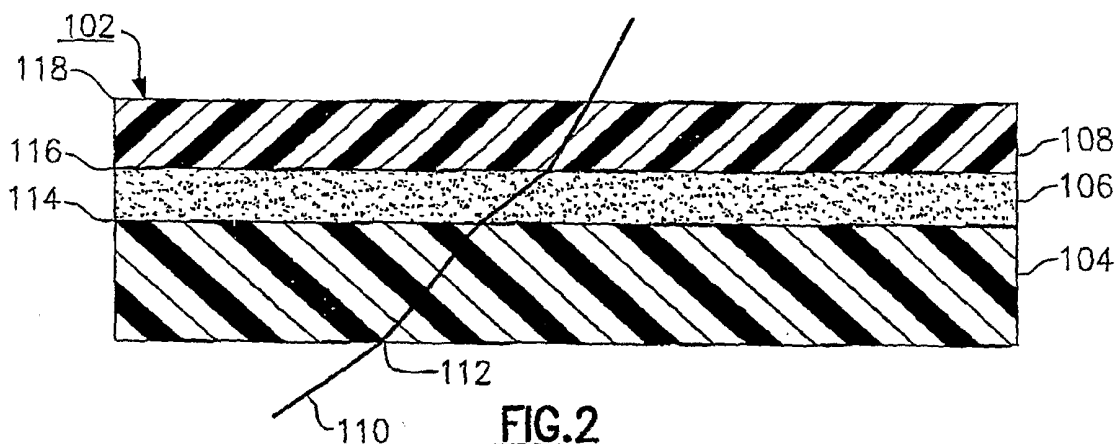
generating from the second detector at least one analyte signal that is indicative of the presence of the analyte; and

30 generating from the first detector operational signals which enable the optical disc reader to track said optically readable structures and rotate the optical disc at a speed which is determinable from said speed information.

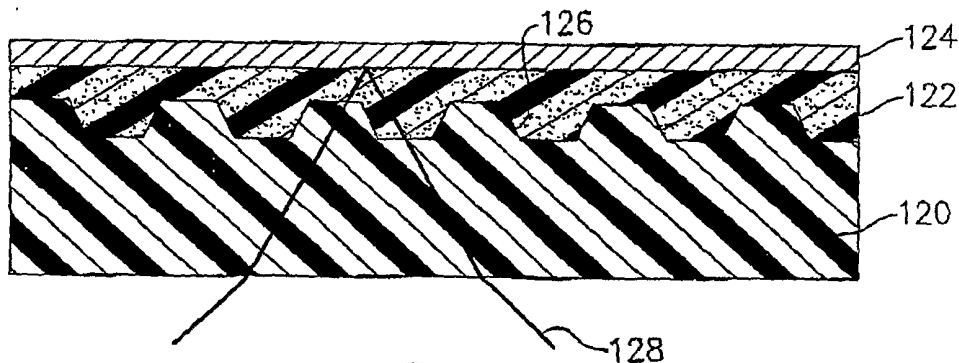
38. An optical disc assembly, comprising:  
optically readable structures which have encoded tracking information and speed  
information for an optical disc reader; and  
an analyte section capable of receiving an analyte which can be detected by the optical  
5 disc reader.



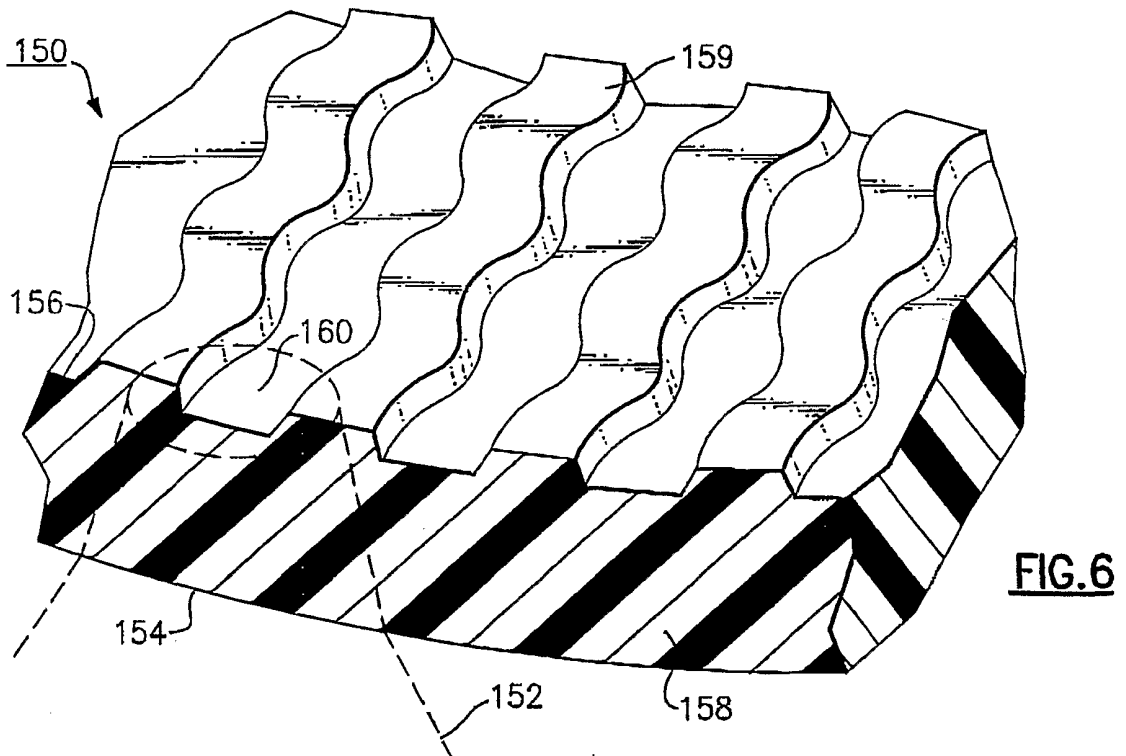
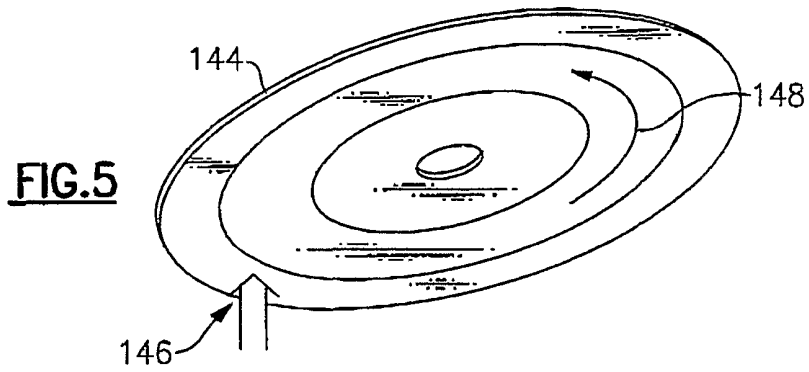
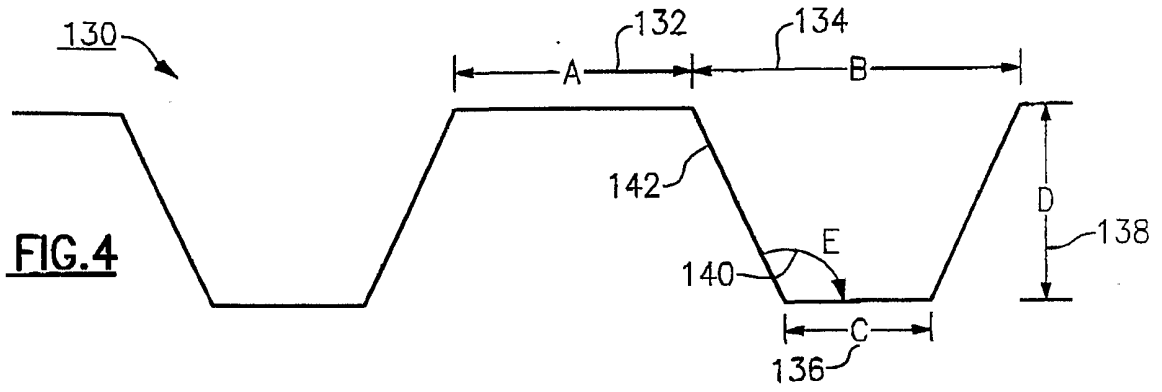
**FIG.1**

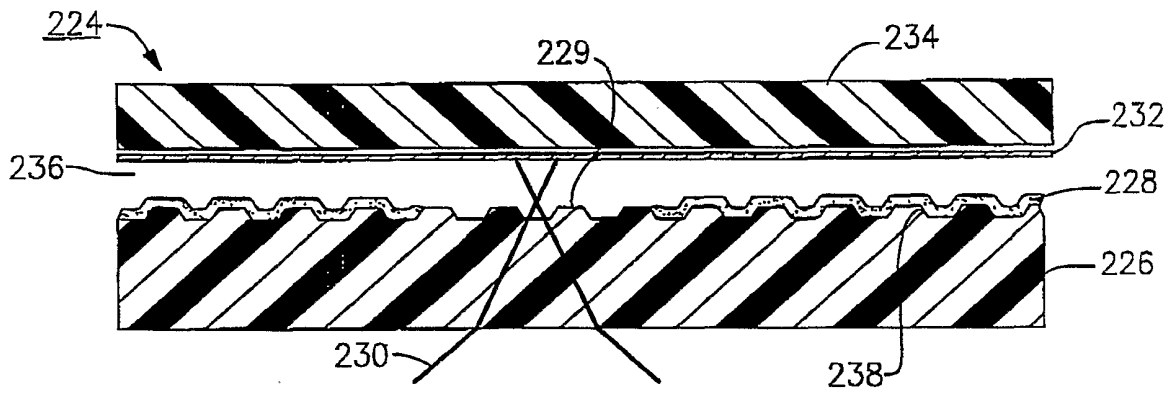


**FIG.2**

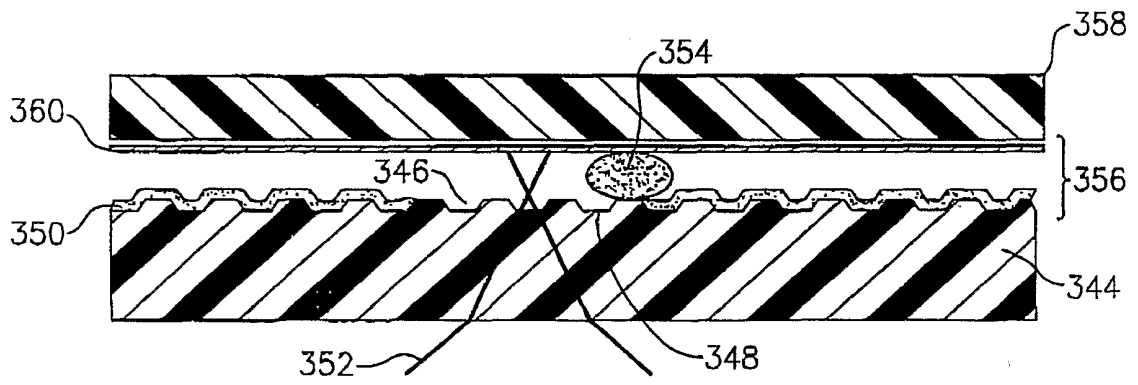


**FIG.3**

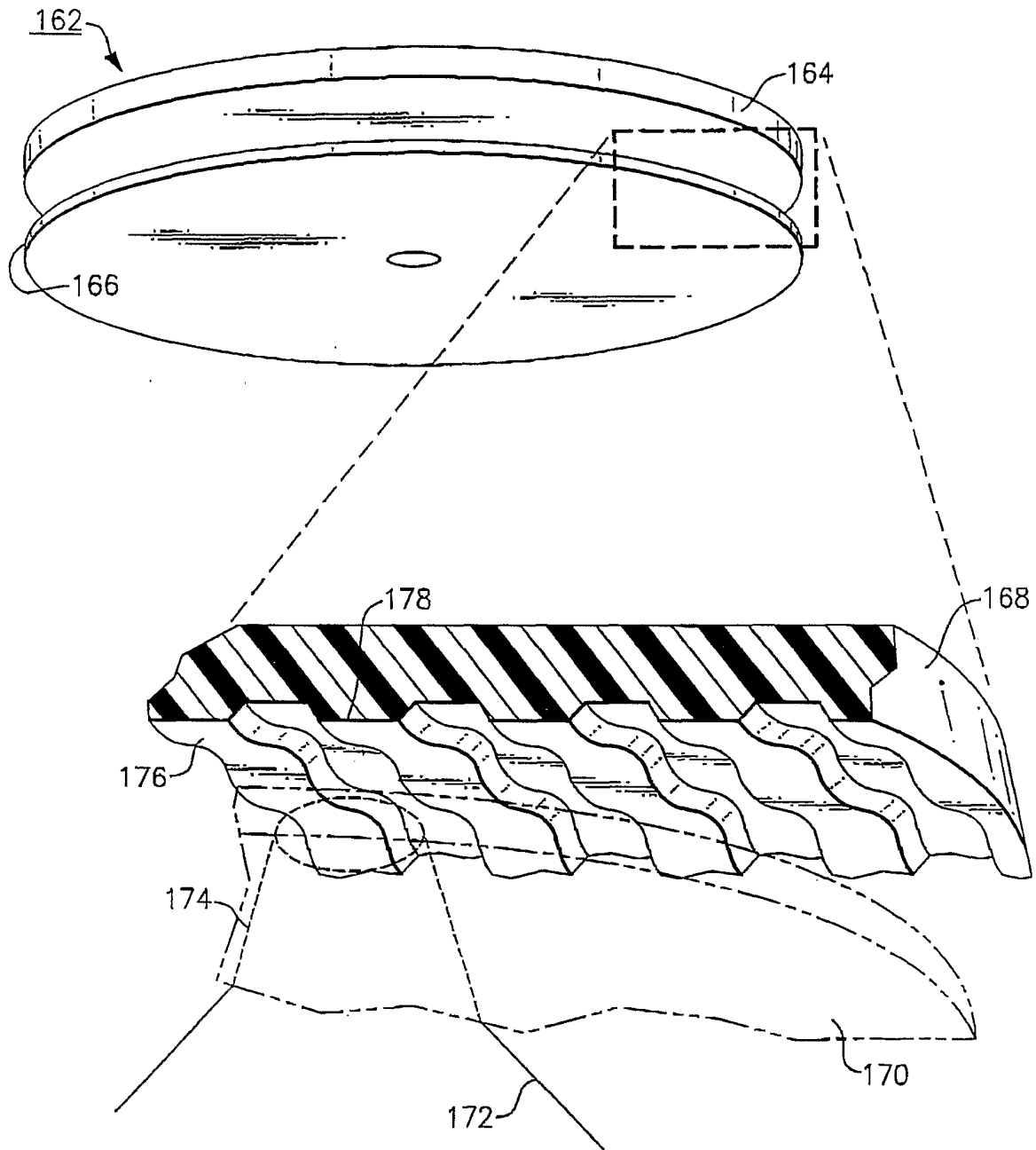




**FIG.7**

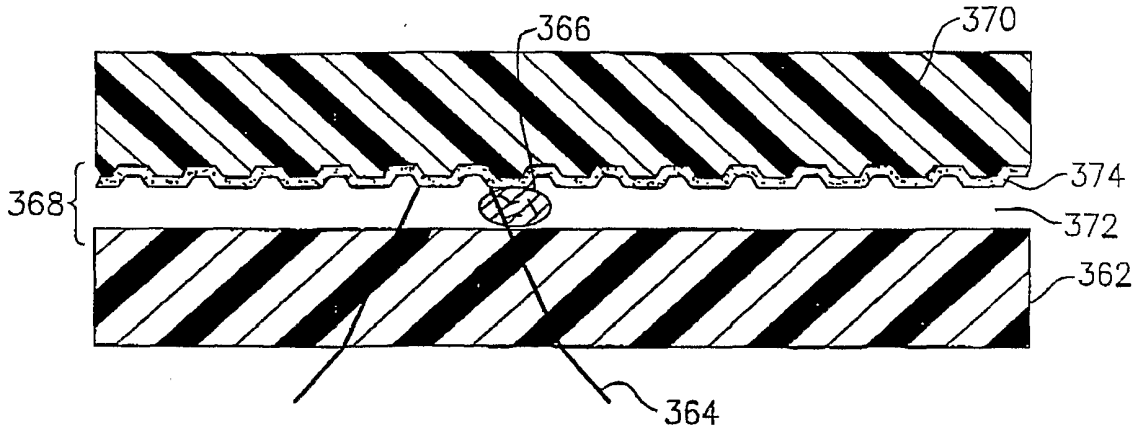


**FIG.8**

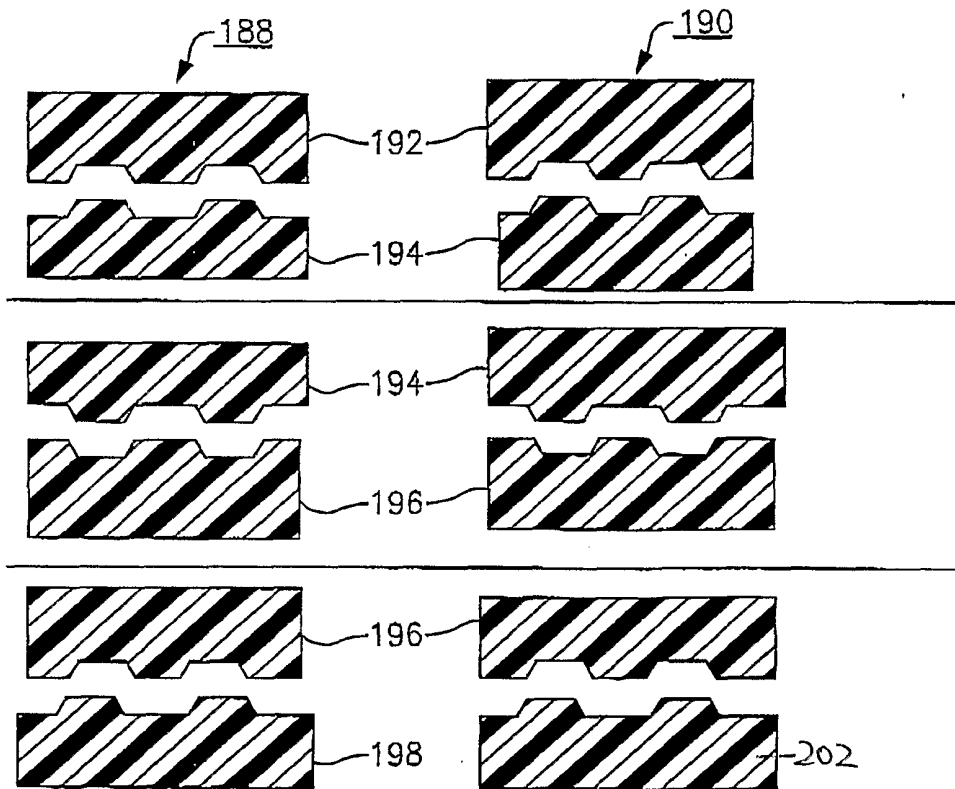


**FIG.9**

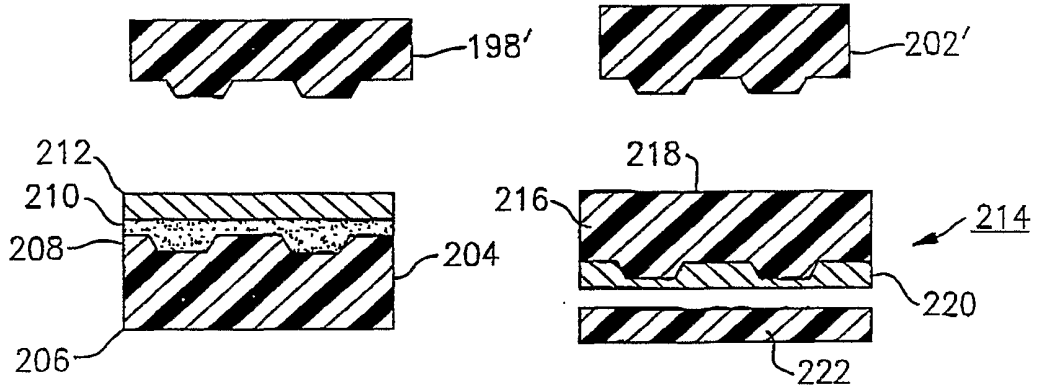
5/21



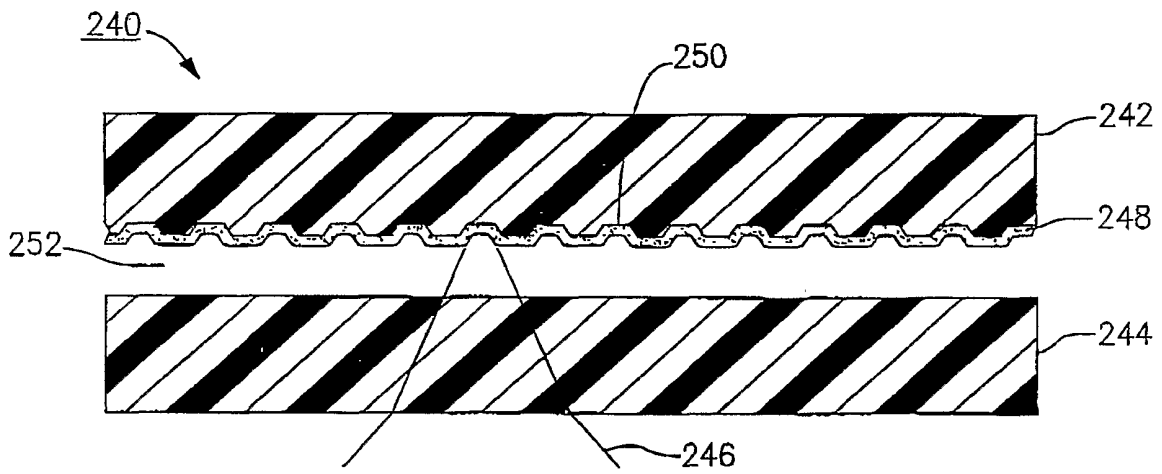
**FIG.10**



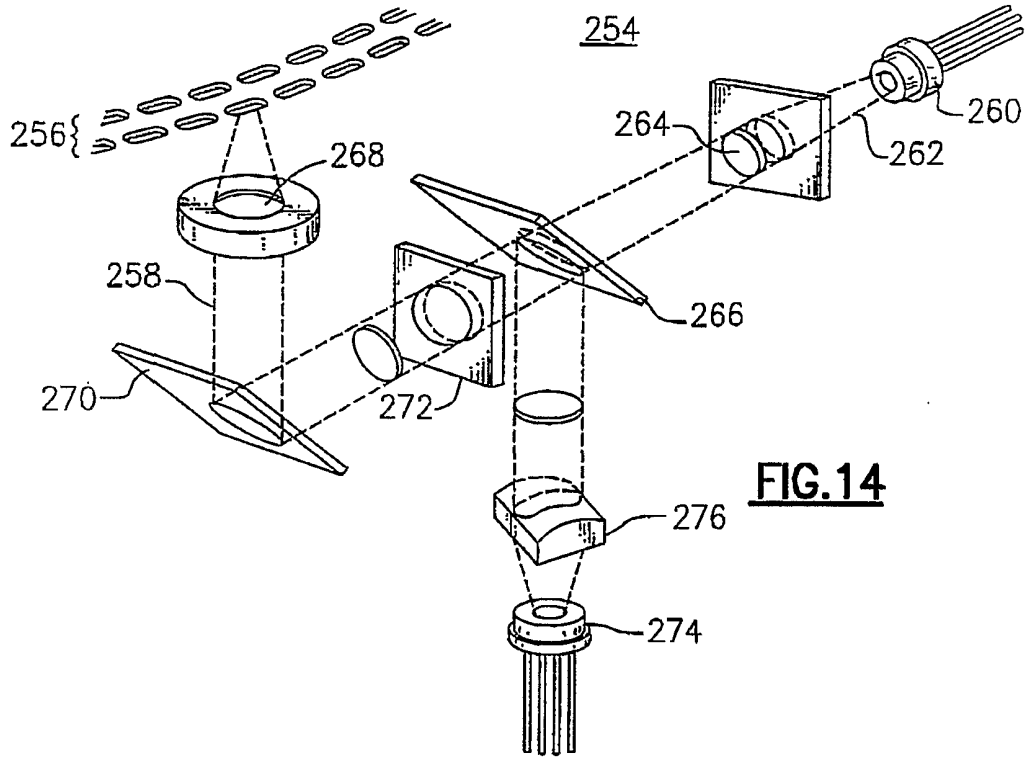
**FIG.11**



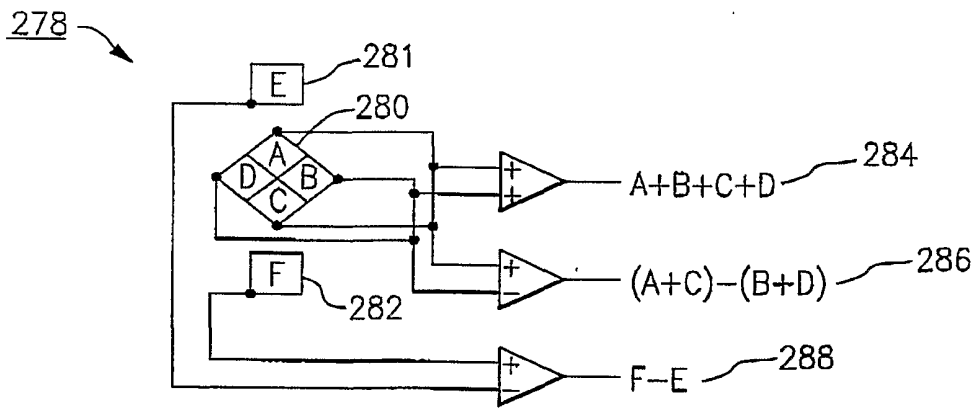
**FIG. 12**



**FIG. 13**

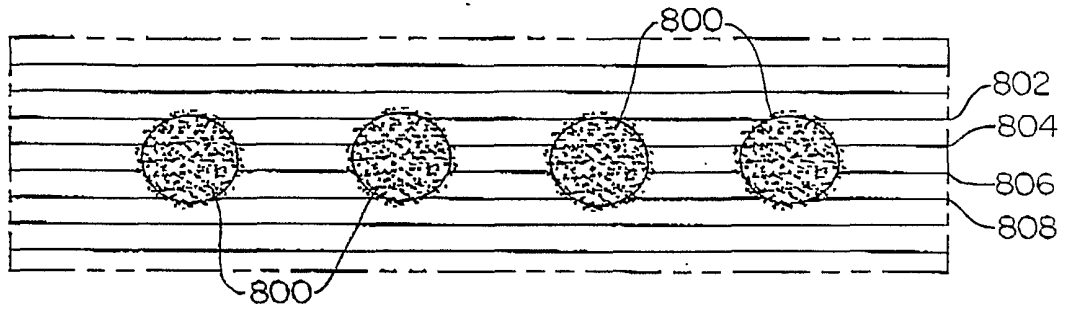


**FIG. 14**

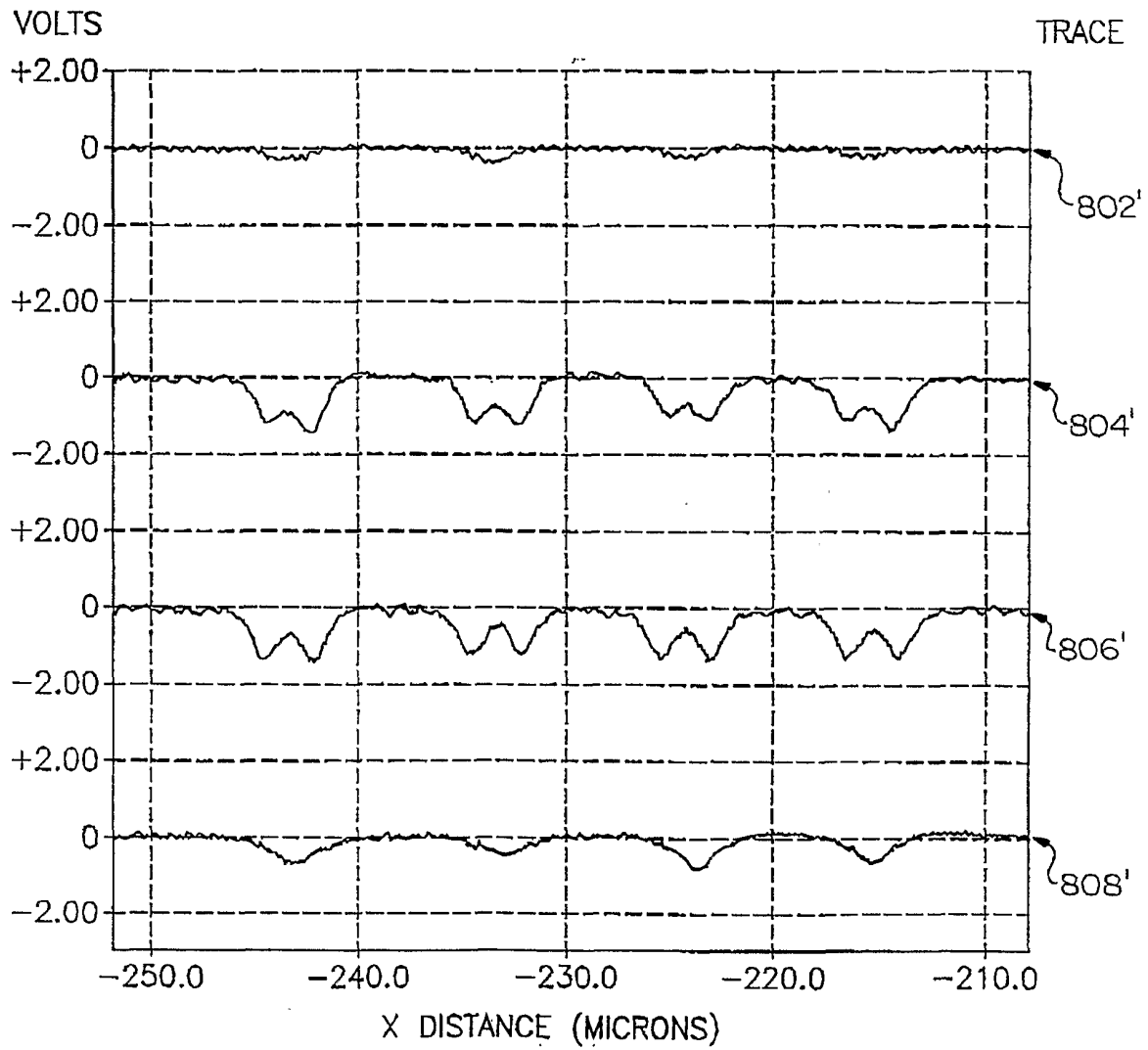


**FIG. 15**

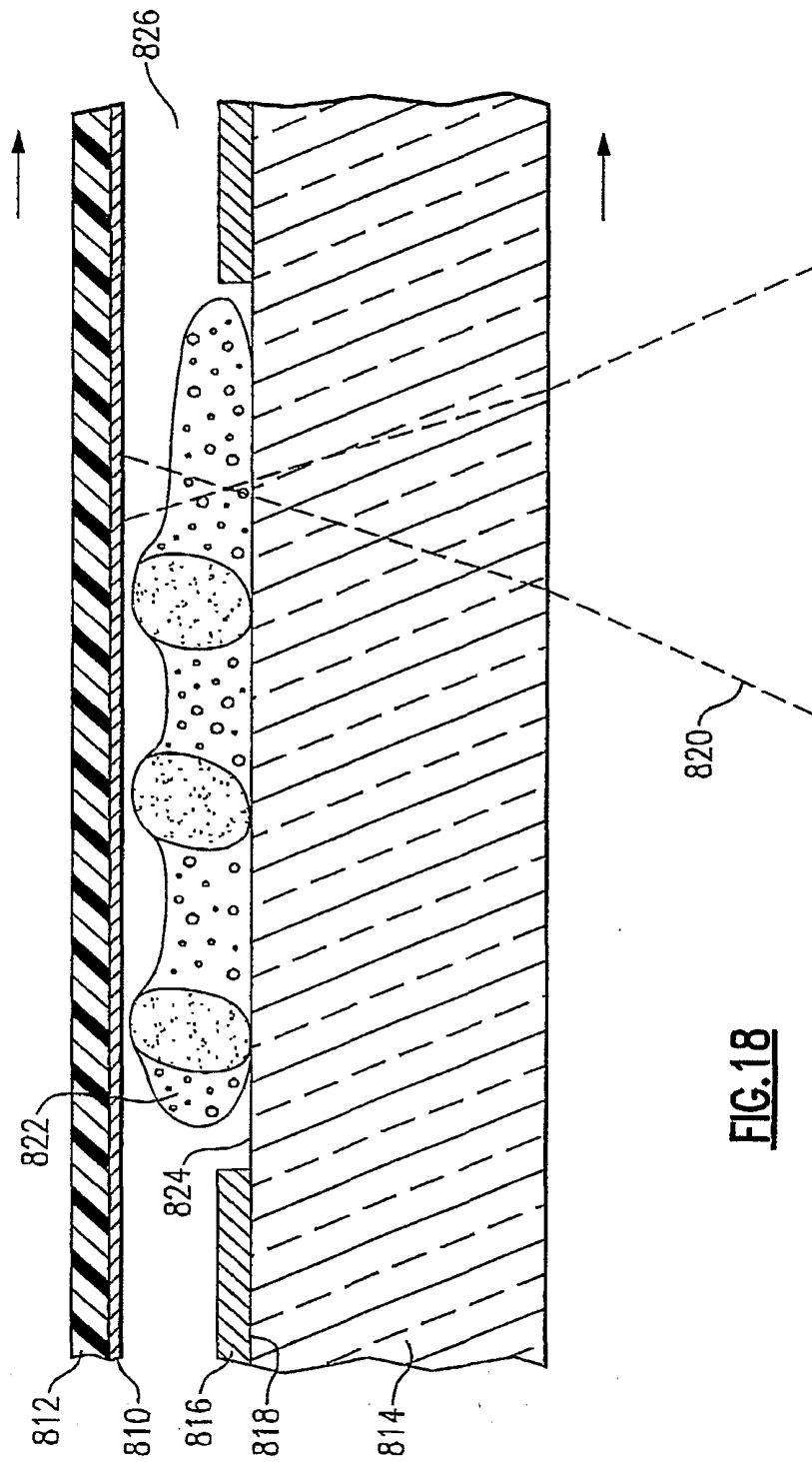
8/21



**FIG.16**

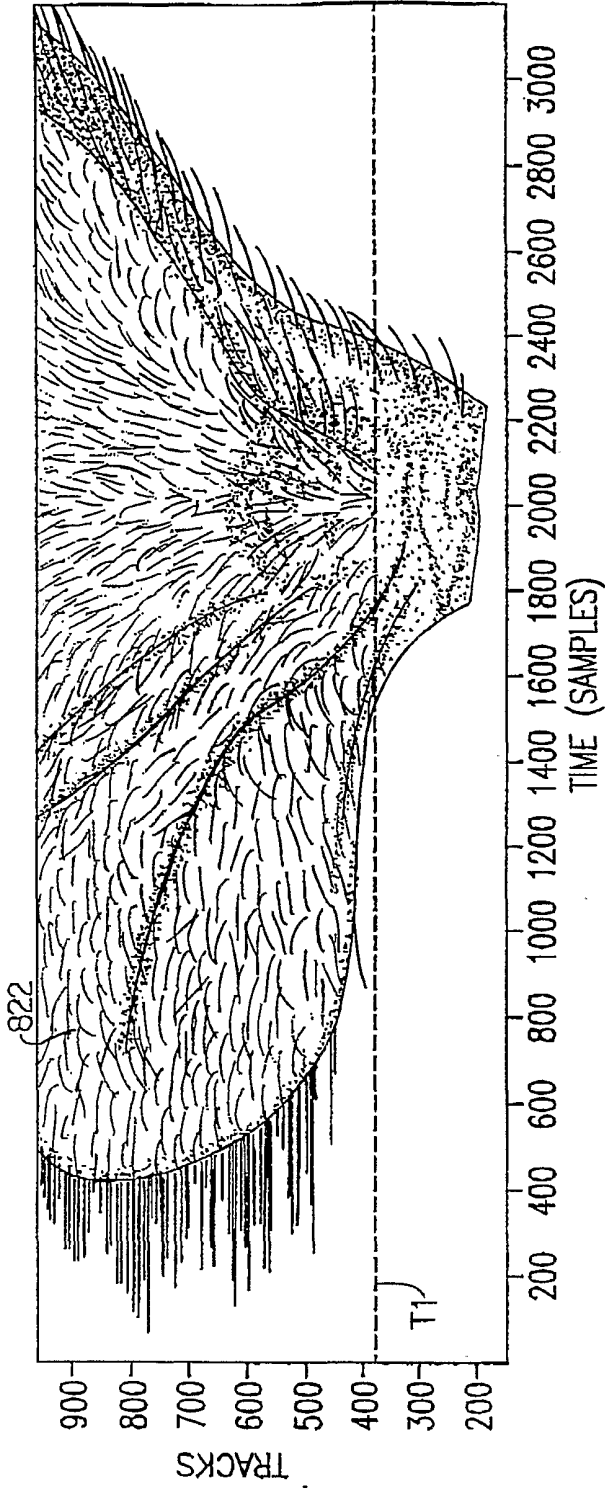


**FIG.17**

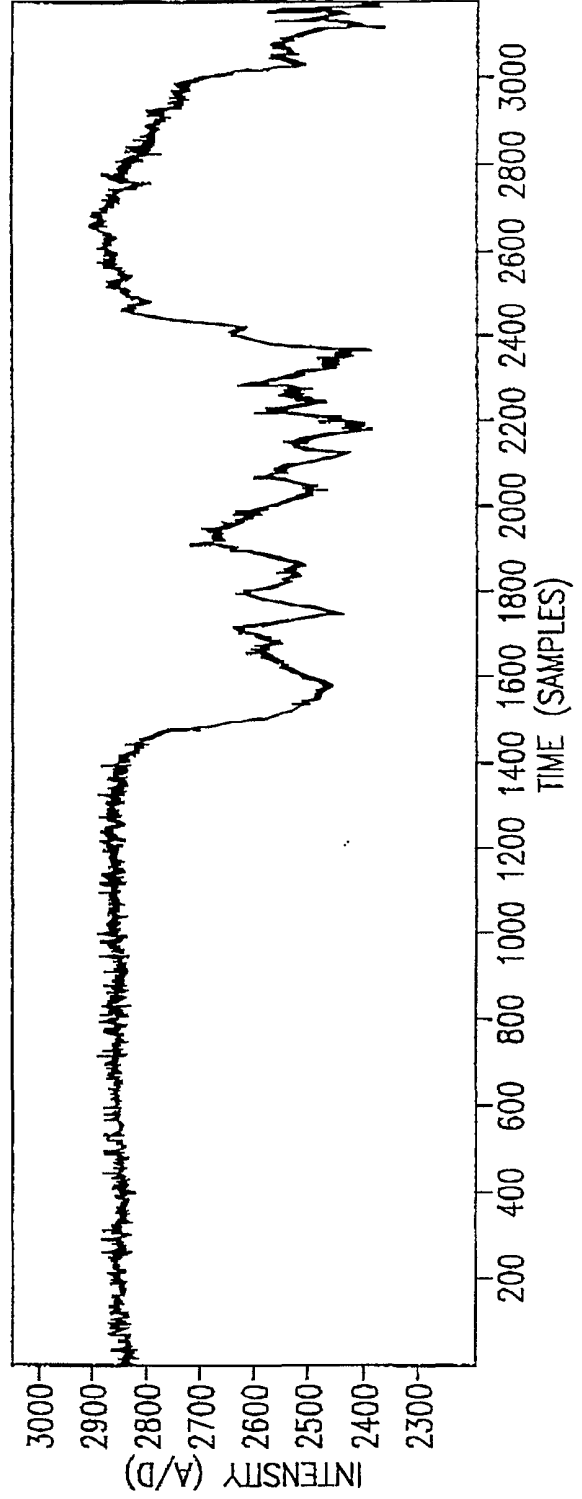


**FIG. 18**

10/21

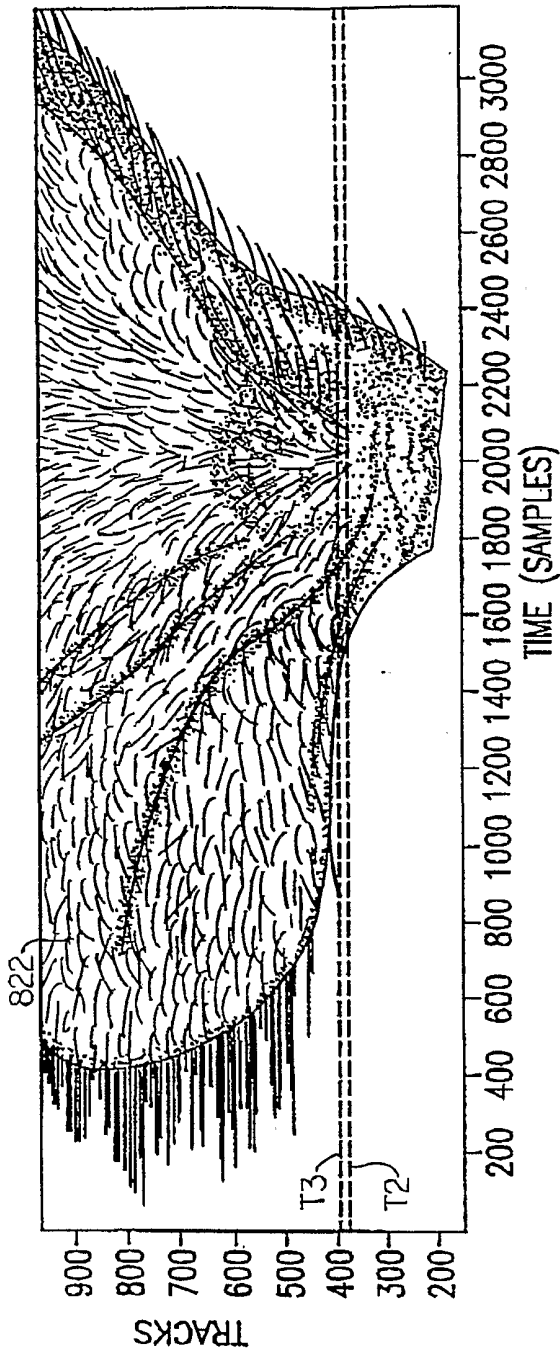


**FIG.19**

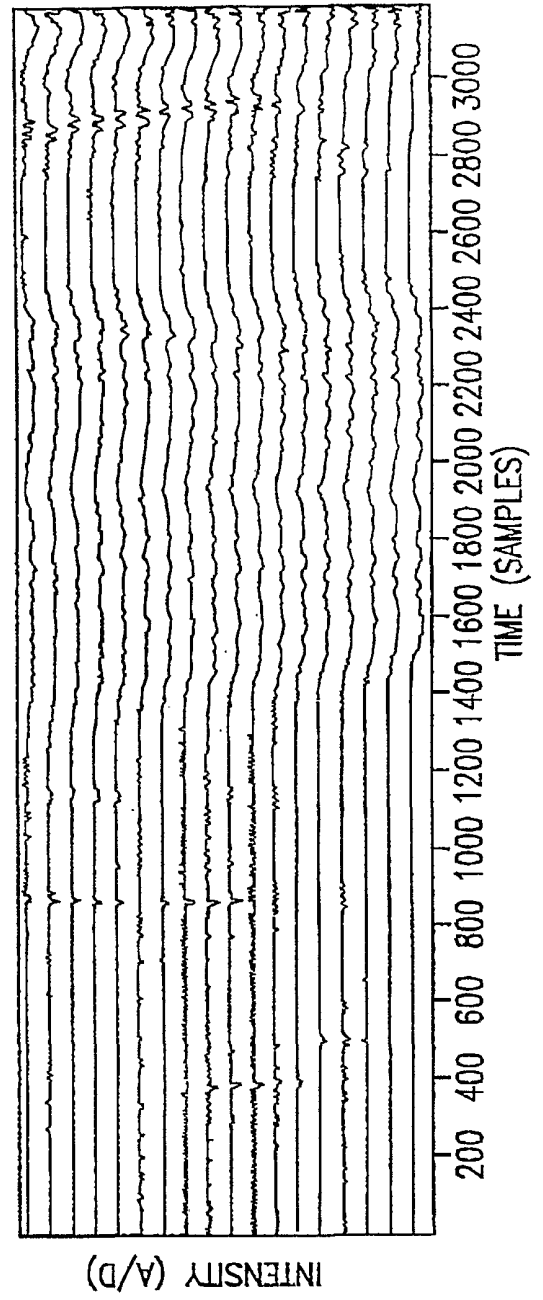


**FIG.20**

11/21

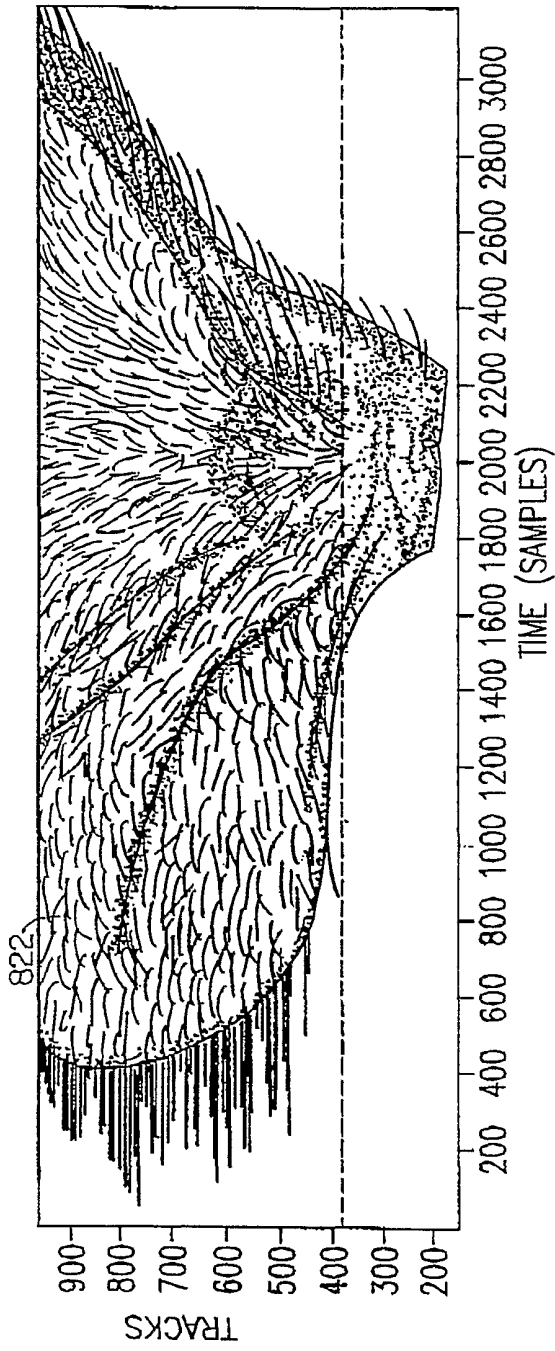


**FIG.21**

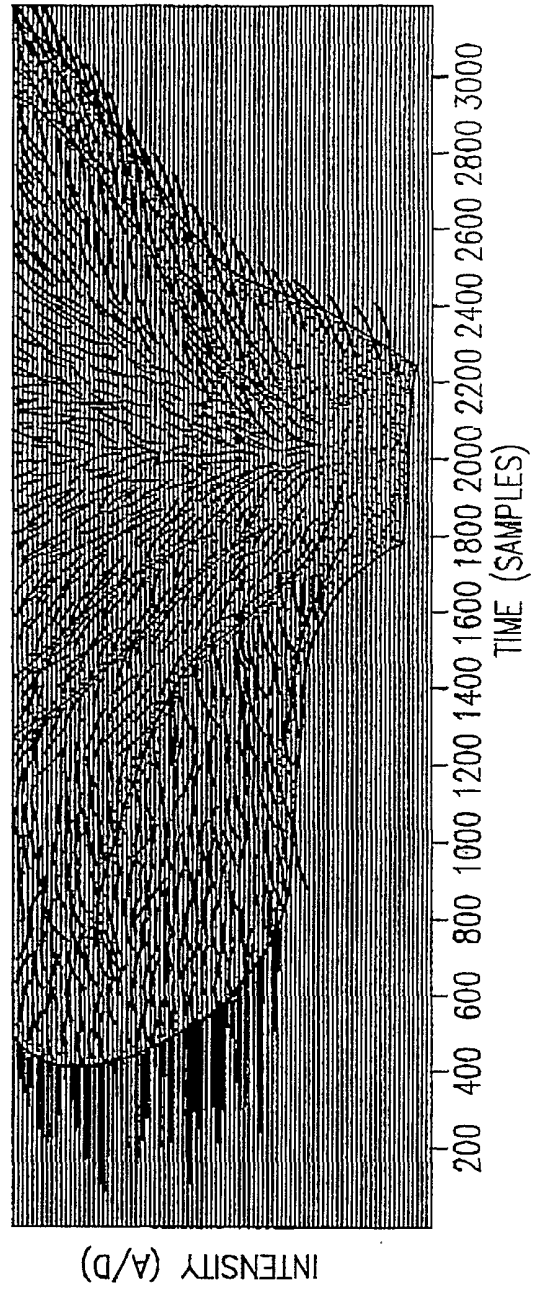


**FIG.22**

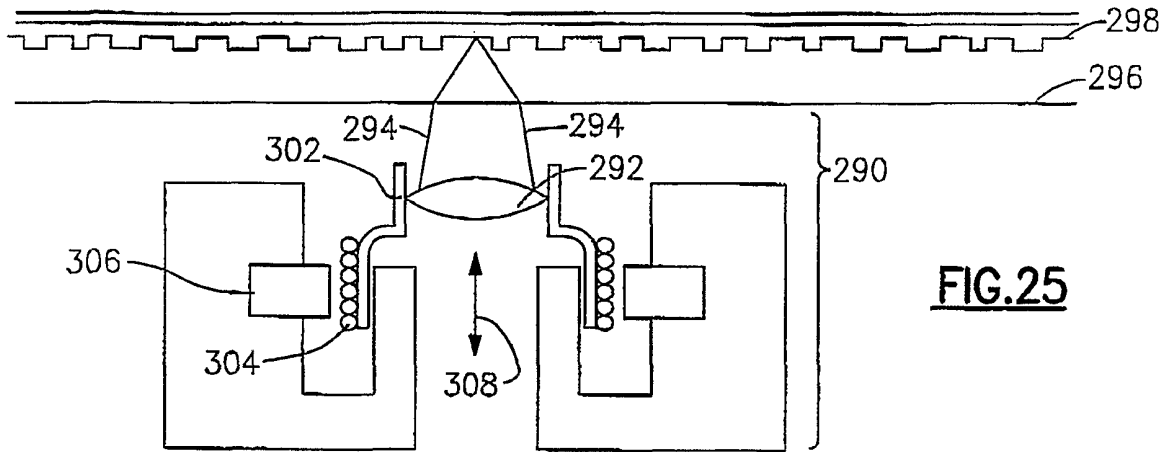
12/21



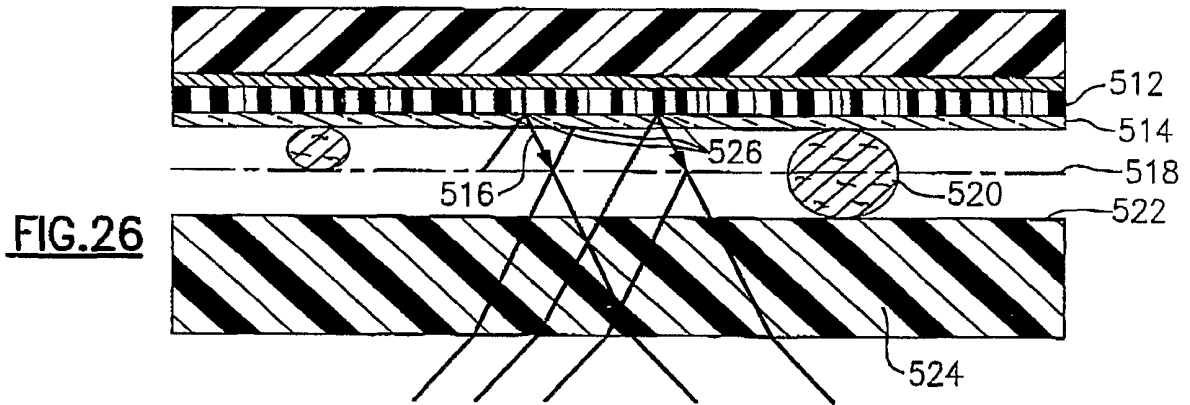
**FIG. 23**



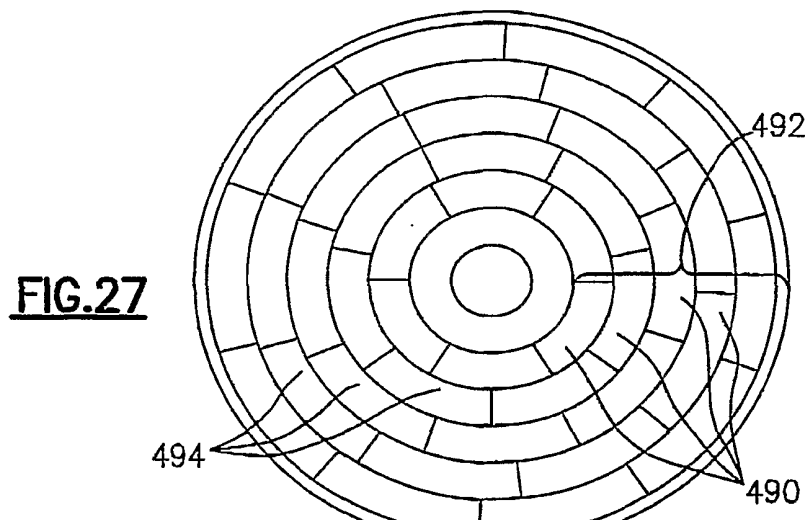
**FIG. 24**



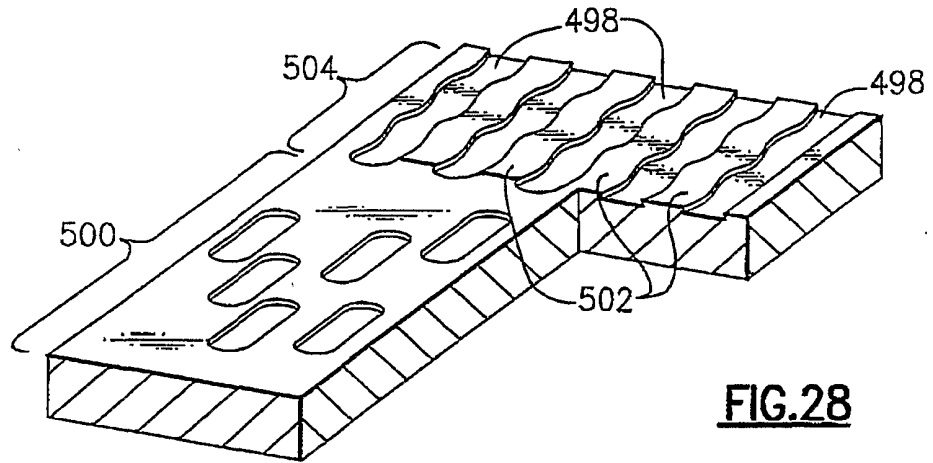
**FIG. 25**



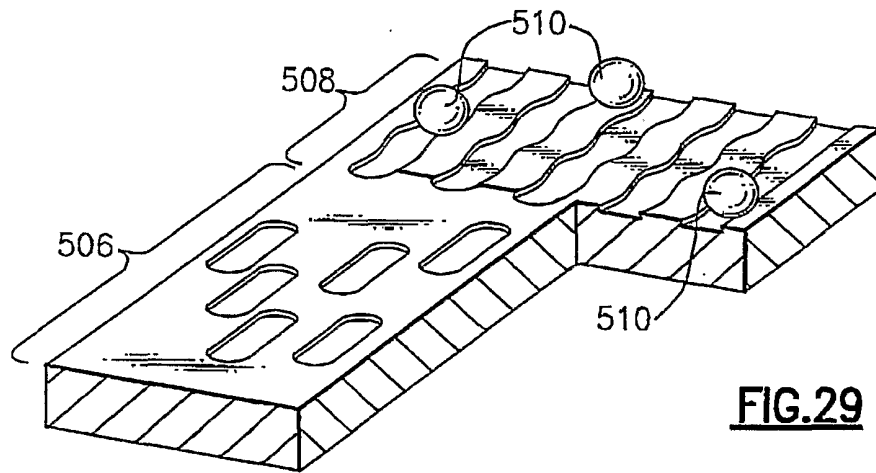
**FIG. 26**



**FIG. 27**

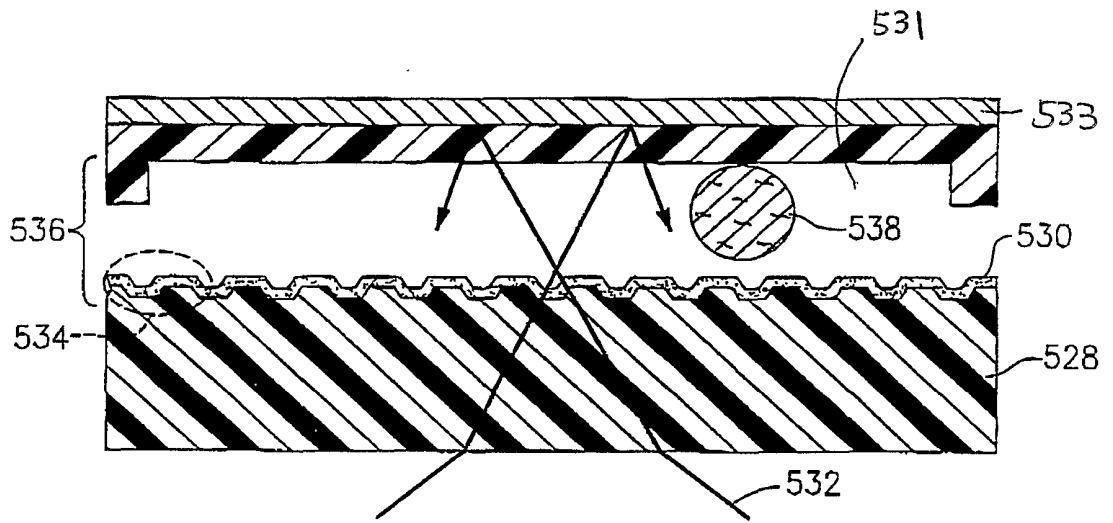


**FIG. 28**

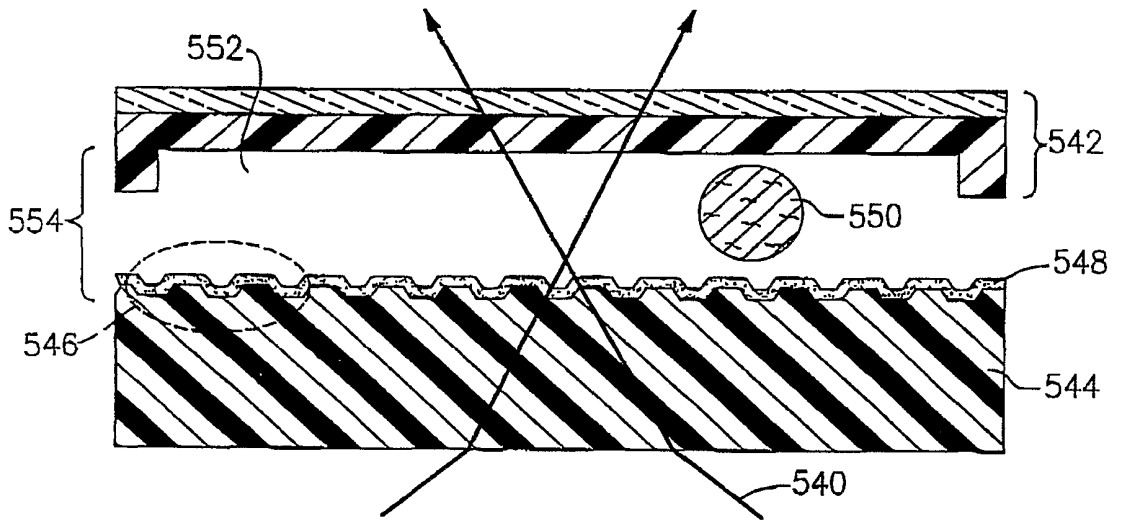


**FIG. 29**

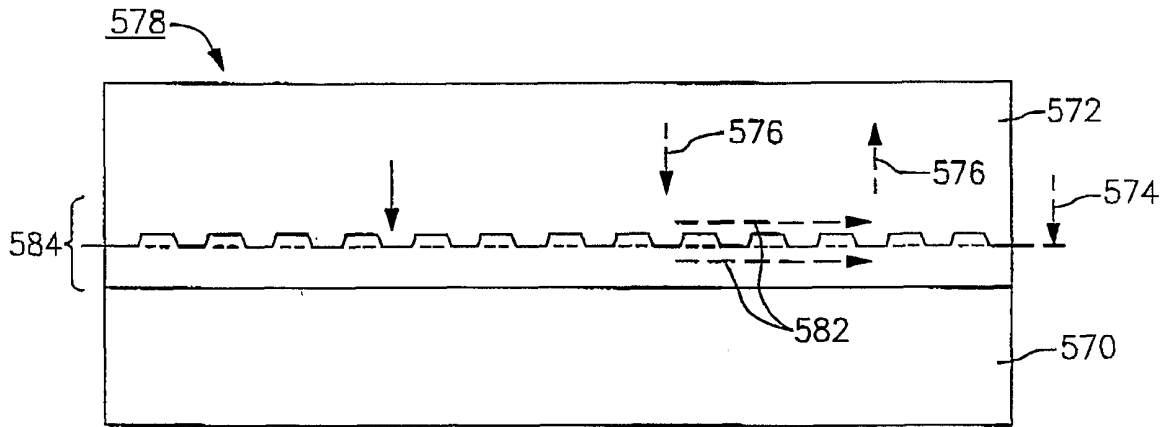
15/21



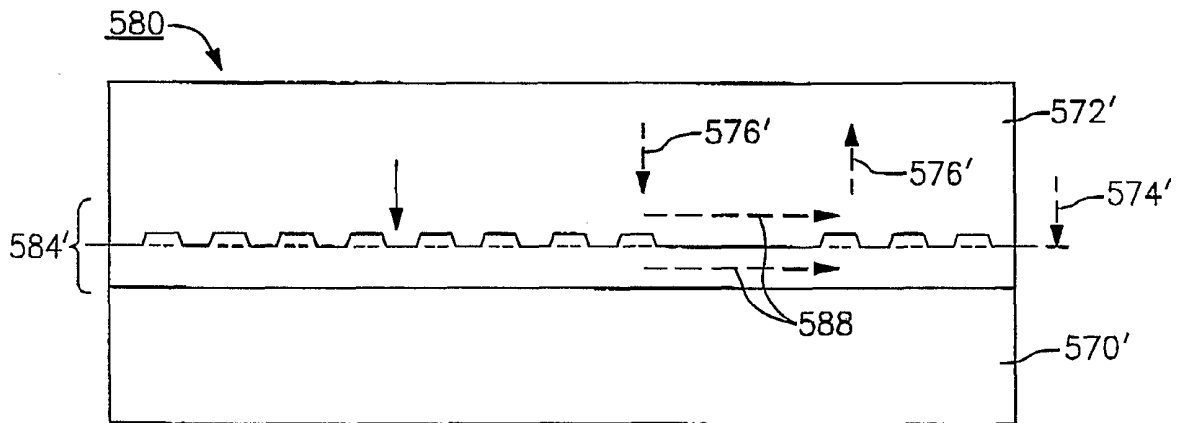
**FIG.30**



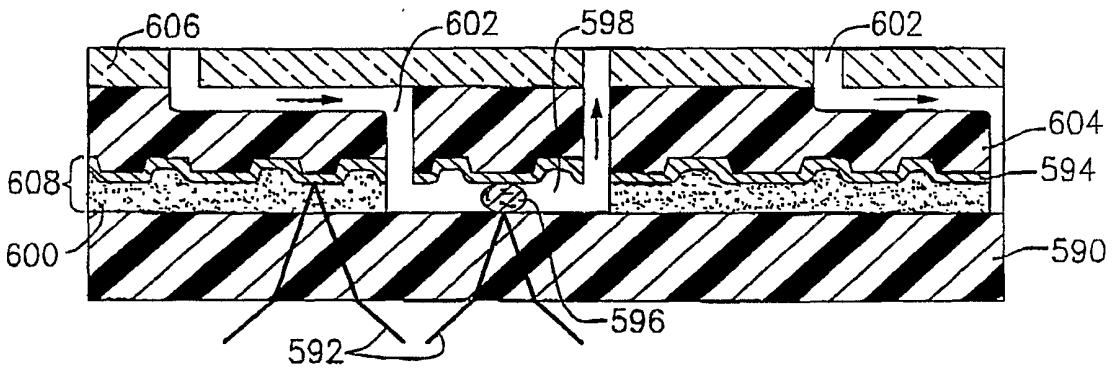
**FIG.31**



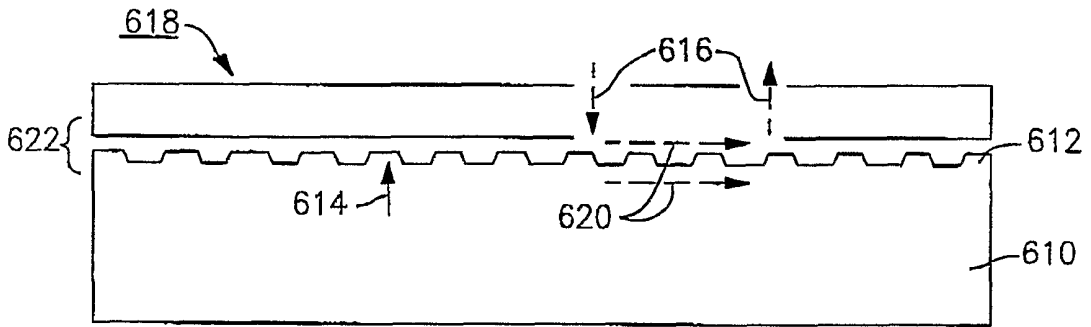
**FIG.32**



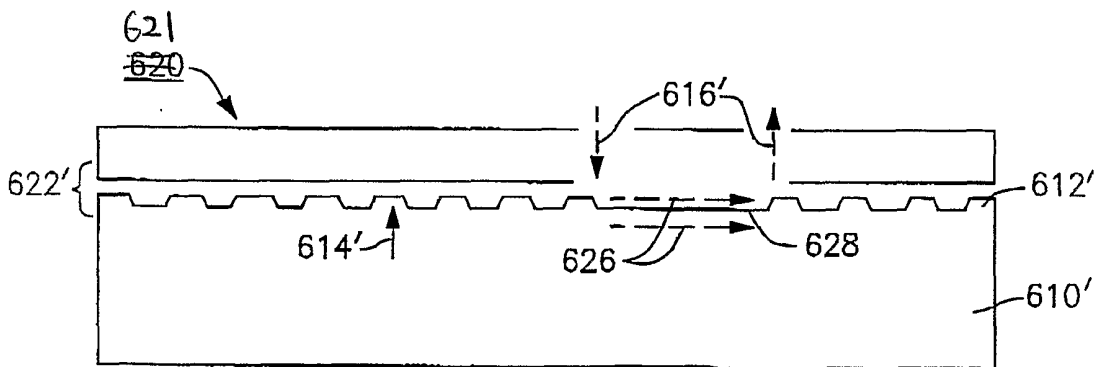
**FIG.33**



**FIG.34**

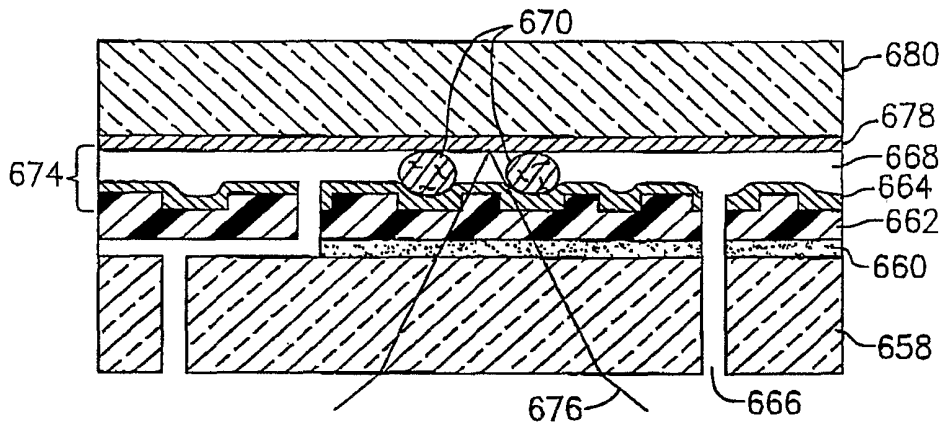


**FIG.35**

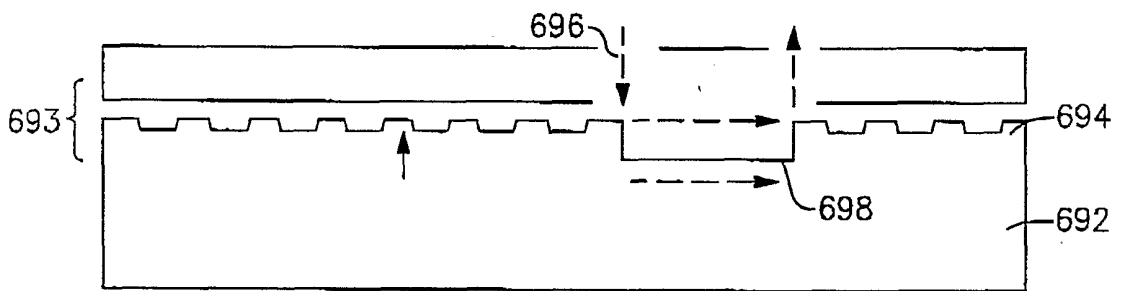


**FIG.36**

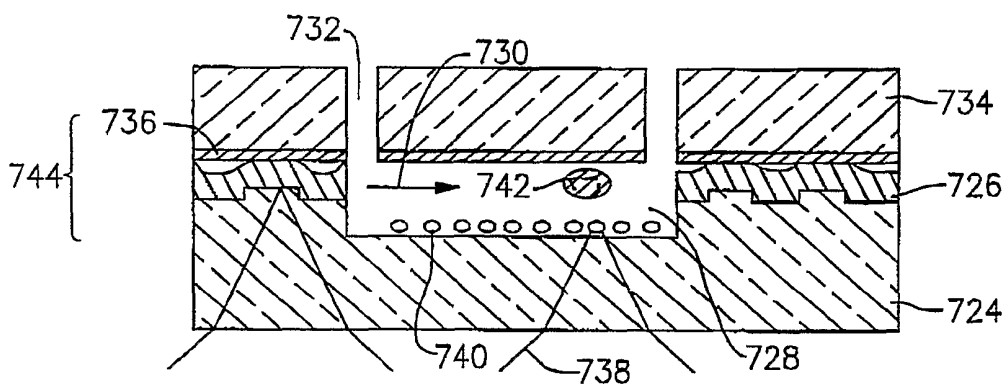
18/21



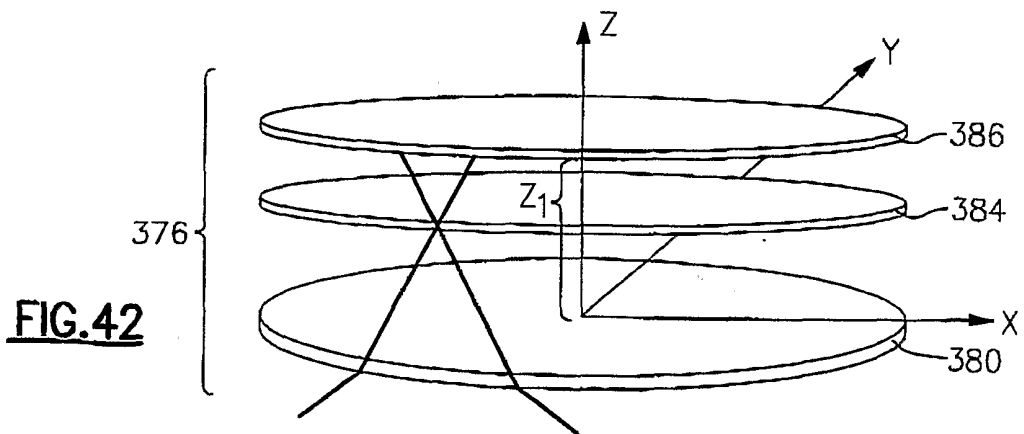
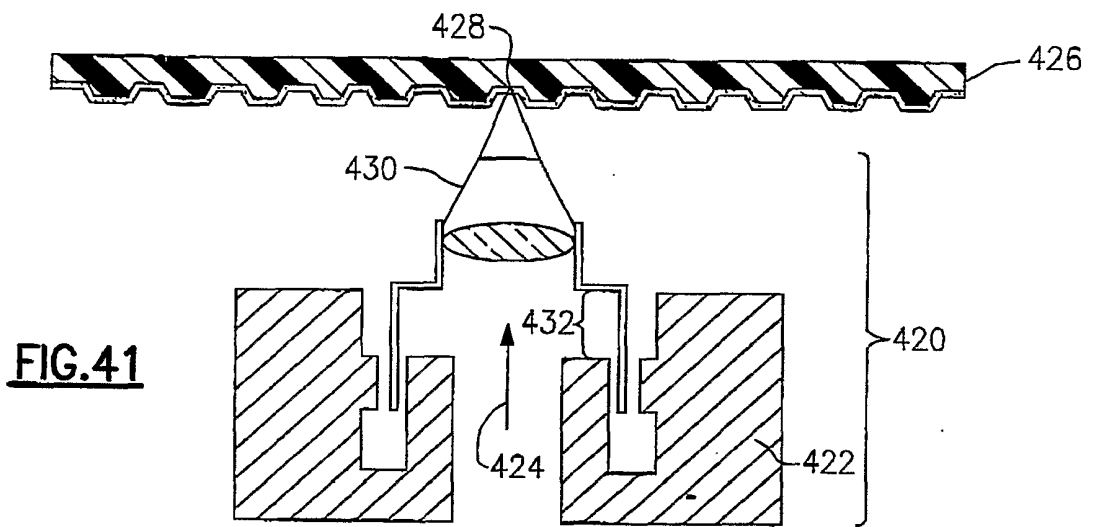
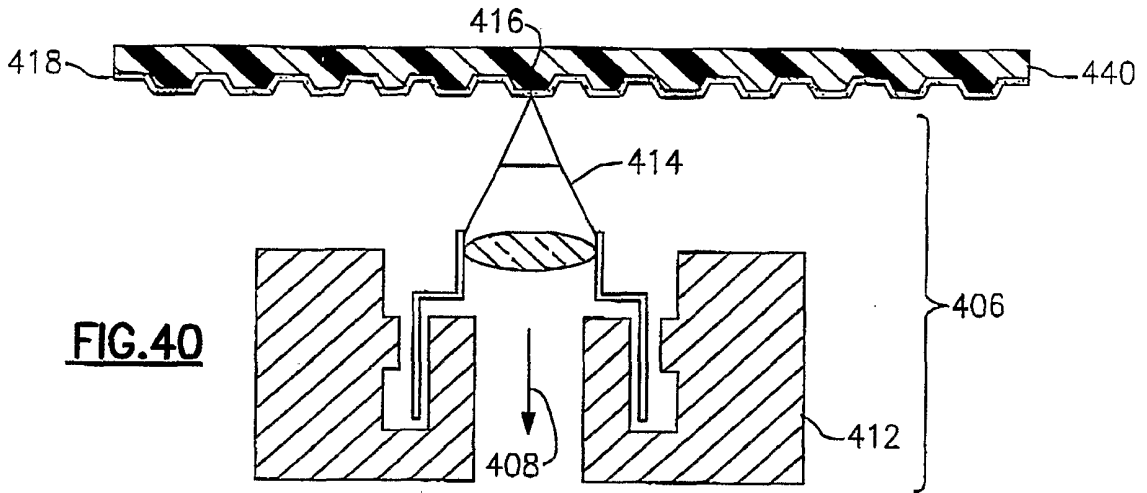
**FIG.37**

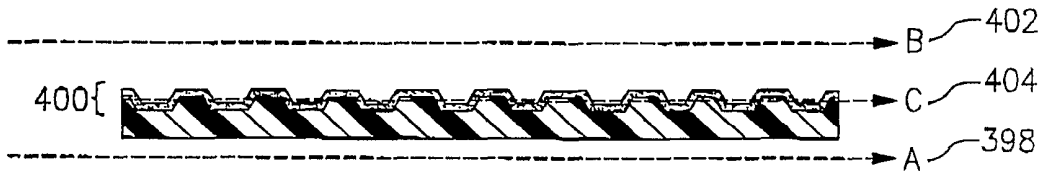


**FIG.38**

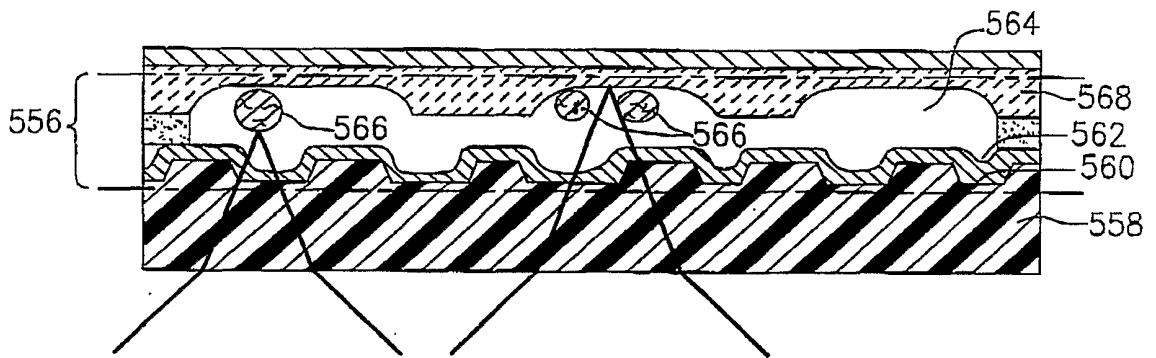


**FIG.39**

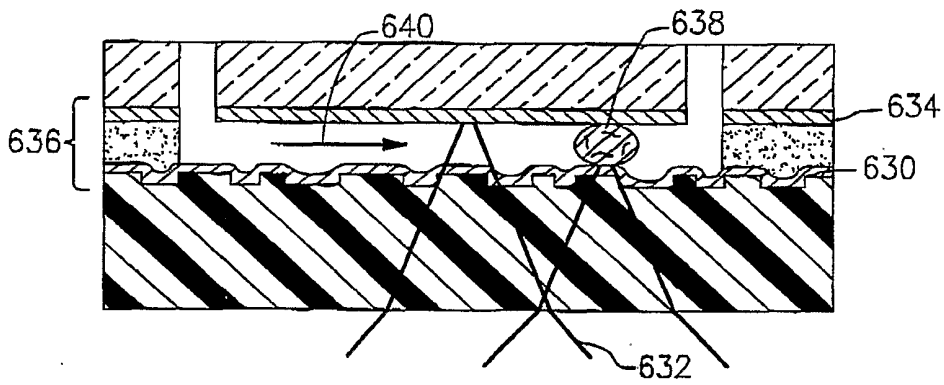




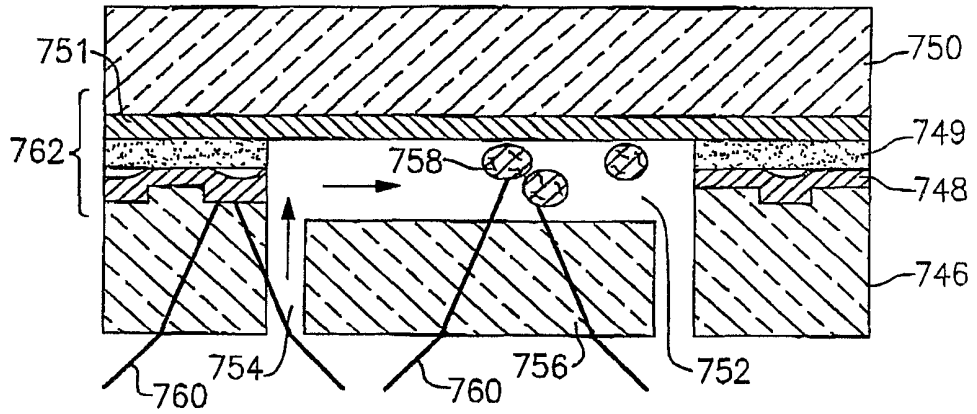
**FIG. 43**



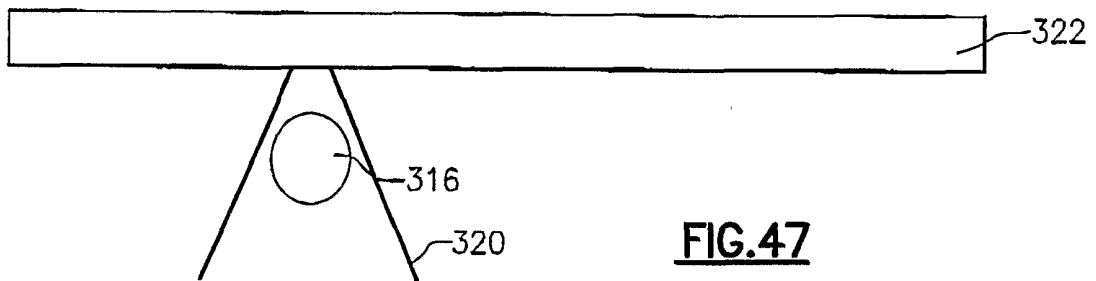
**FIG. 44**



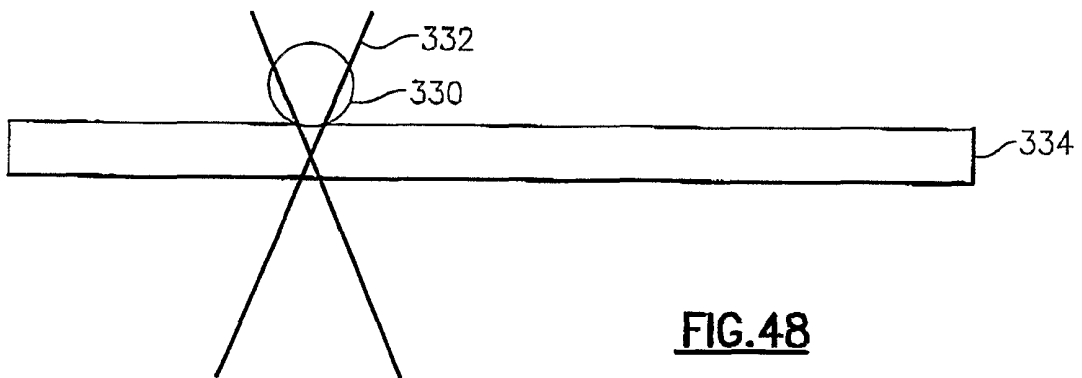
**FIG. 45**



**FIG.46**



**FIG.47**



**FIG.48**