



US0D1031968S

(12) **United States Design Patent**
Ran et al.

(10) **Patent No.:** **US D1,031,968 S**

(45) **Date of Patent:** **** Jun. 18, 2024**

(54) **FAN**

OTHER PUBLICATIONS

(71) Applicant: **BELANG AIR TECH LTD.**, Suzhou (CN)

Quntis Foldable Floor Fan, Dec. 30, 2022, amazon.ca, Apr. 5, 2024, URL: <https://www.amazon.ca/Quntis-Rechargeable-Circulating-Oscillating-Adjustable/dp/B0BRCWG174/> (Year: 2022).*

(72) Inventors: **Hongyu Ran**, Suzhou (CN); **Yaoyuan Lu**, Suzhou (CN); **Qi Chen**, Suzhou (CN); **Yigang Liu**, Suzhou (CN)

Primary Examiner — Keith J Wilson

(74) *Attorney, Agent, or Firm* — Syncoda LLC; Feng Ma

(73) Assignee: **SUZHOU BELANG SMART TECHNOLOGY CO. LTD.**, Suzhou (CN)

(57) **CLAIM**

(**) Term: **15 Years**

The ornamental design for a fan, as shown and described.

(21) Appl. No.: **29/791,615**

DESCRIPTION

(22) Filed: **Jan. 23, 2022**

(30) **Foreign Application Priority Data**

Dec. 31, 2021 (CN) 202130882769.1

(51) **LOC (14) Cl.** **23-04**

(52) **U.S. Cl.** **D23/370**

USPC **D23/370**

(58) **Field of Classification Search**

USPC D23/314, 335, 328, 332, 370–379,

D23/381–385, 411–414, 360

CPC . F04D 5/00; F04D 27/00; F04D 25/10; F04D

29/64; F04D 19/00; F24H 3/04; B65D

71/00

See application file for complete search history.

(56) **References Cited**

U.S. PATENT DOCUMENTS

D257,491 S * 11/1980 Cousins D23/370

4,321,911 A * 3/1982 Offutt F24S 80/30

285/124.1

4,759,756 A * 7/1988 Forman A61J 1/2089

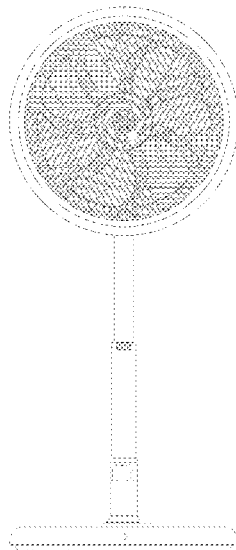
D24/129

D302,324 S * 7/1989 Moran D26/80

(Continued)

FIG. 1 is a front view of a fan showing our new design;
FIG. 2 is a rear view thereof;
FIG. 3 is a left view thereof;
FIG. 4 is a right view thereof;
FIG. 5 is a top view thereof;
FIG. 6 is a bottom view thereof;
FIG. 7 is a perspective view thereof;
FIG. 8 is a front view of a variation state thereof;
FIG. 9 is a rear view of the variation state thereof;
FIG. 10 is a left view of the variation state thereof;
FIG. 11 is a right view of the variation state thereof;
FIG. 12 is a top view of the variation state thereof;
FIG. 13 is a bottom view of the variation state thereof;
FIG. 14 is a perspective view of the variation state thereof;
FIG. 15 is a front view of another variation state thereof;
FIG. 16 is a rear view of the other variation state thereof;
FIG. 17 is a left view of the other variation state thereof;
FIG. 18 is a right view of the other variation state thereof;
FIG. 19 is a top view of the other variation state thereof;
FIG. 20 is a bottom view of the other variation state thereof;
and,
FIG. 21 is a perspective view of the other variation state thereof.

1 Claim, 21 Drawing Sheets



(56)

References Cited

U.S. PATENT DOCUMENTS

D319,291 S *	8/1991	Hanzel	D23/212	D819,169 S *	5/2018	Osborne	D32/25
5,273,172 A *	12/1993	Rossbach	A47G 19/2266 220/252	D823,515 S *	7/2018	Guo	D26/63
D368,299 S *	3/1996	Ratledge	D23/235	D824,012 S *	7/2018	Xu	D6/309
D384,144 S *	9/1997	DuBois	D23/370	D827,087 S *	8/2018	Merritt	D23/213
D415,270 S *	10/1999	Fok	D23/370	D827,107 S *	8/2018	Schaaf	D23/262
D426,061 S *	6/2000	Naegele	D3/905	D827,121 S *	8/2018	Wang	D23/378
D449,373 S *	10/2001	Pinchuk	D23/382	10,272,717 B1 *	4/2019	Erdman	B60B 15/023
D454,614 S *	3/2002	Marston	D23/207	D850,693 S *	6/2019	Pan	D26/71
D459,519 S *	6/2002	Russello	D26/85	D850,694 S *	6/2019	Pan	D26/71
D478,965 S *	8/2003	Ferrer Beltran	D23/209	D853,014 S *	7/2019	Pan	D26/85
D484,073 S *	12/2003	Heinemann	D12/112	D864,459 S *	10/2019	Pan	D26/85
D498,709 S *	11/2004	Sramek	D12/112	D869,320 S *	12/2019	Wang	D10/106.6
6,843,615 B1 *	1/2005	Cook	E02D 3/026 404/124	D879,283 S *	3/2020	Liao	D23/382
D516,667 S *	3/2006	Hin	D23/208	D881,371 S *	4/2020	Hollinger	D23/382
D529,166 S *	9/2006	Geringer	D23/379	D884,201 S *	5/2020	Fang	D24/206
D543,614 S *	5/2007	Chen	D23/382	D885,554 S *	5/2020	Puglia, Sr.	D23/379
D546,436 S *	7/2007	Chen	D23/382	D887,455 S *	6/2020	Erdman	D15/28
D559,350 S *	1/2008	Huang	D23/213	D887,542 S *	6/2020	Youngblutt	D23/382
D564,084 S *	3/2008	Chen	D23/382	D889,019 S *	6/2020	Pan	D26/85
D578,606 S *	10/2008	Wu	D23/223	D890,354 S *	7/2020	Fang	D24/206
D590,916 S *	4/2009	Schoenherr	D23/223	D890,854 S *	7/2020	Kermani	D21/426
D592,778 S *	5/2009	Chang	D26/28	D891,581 S *	7/2020	Cheng	D23/223
D602,143 S *	10/2009	Gammack	F04D 25/08 D23/370	D892,293 S *	8/2020	Okuhara	D23/370
D610,072 S *	2/2010	Wallet	B60C 11/0311 D12/579	D893,698 S *	8/2020	Lin	D23/381
D610,228 S *	2/2010	Wu	D23/223	D898,180 S *	10/2020	Du	D23/382
D617,474 S *	6/2010	Huang	D26/2	D903,086 S *	11/2020	Liu	D23/370
D626,666 S *	11/2010	Yamamoto	D26/2	D906,232 S *	12/2020	Fahey	D12/579
D637,713 S *	5/2011	Nord	D24/129	D907,187 S *	1/2021	Li	D23/382
D645,925 S *	9/2011	Sramek	D21/760	D909,286 S *	2/2021	Fahey	D12/579
D649,879 S *	12/2011	Gullickson	D9/450	D919,074 S *	5/2021	Cai	D23/380
D654,558 S *	2/2012	Zeng	D23/209	D919,075 S *	5/2021	Lin	D23/381
D661,372 S *	6/2012	Zhou	D23/213	D919,152 S *	5/2021	Pan	D26/63
D668,116 S *	10/2012	Eyal	D7/510	D920,497 S *	5/2021	Li	D23/370
D671,630 S *	11/2012	Hideharu	D23/382	D925,028 S *	7/2021	Song	D23/370
D672,024 S *	12/2012	Fitton	D23/370	D928,932 S *	8/2021	Li	D23/370
D674,088 S *	1/2013	Lev	D24/129	D929,802 S *	9/2021	Han	D7/392.1
D674,476 S *	1/2013	Junkel	D23/370	D936,819 S *	11/2021	Zhang	D23/380
D675,705 S *	2/2013	Mallol	D23/207	D936,820 S *	11/2021	Yuan	D23/380
D678,993 S *	3/2013	Kung-Hua	D23/370	D940,295 S *	1/2022	Li	D23/382
D686,354 S *	7/2013	Feigenbaum	D26/24	D940,978 S *	1/2022	Lin	D23/213
D689,599 S *	9/2013	Herbst	D23/382	D943,067 S *	2/2022	Fan	D23/270
D689,600 S *	9/2013	Herbst	D23/382	D943,080 S *	2/2022	Breit	D23/381
D696,441 S *	12/2013	Audette	D26/24	D943,638 S *	2/2022	Rauch	D15/17
D697,177 S *	1/2014	Schoenherr	D23/223	D943,729 S *	2/2022	Ma	D23/333
8,657,215 B1 *	2/2014	Blum	A01G 25/095 301/43	D944,953 S *	3/2022	Xu	D23/380
D703,304 S *	4/2014	Herbst	D23/379	D951,422 S *	5/2022	Zeng	D23/370
D704,799 S *	5/2014	Crawley	D23/213	D951,423 S *	5/2022	Zhou	D23/380
D705,390 S *	5/2014	Okazaki	D23/207	D952,117 S *	5/2022	Gao	D23/370
D728,941 S *	5/2015	Stoekmann	D3/313	D952,118 S *	5/2022	Gao	D23/370
D729,373 S *	5/2015	Dos Reis	D23/370	D953,516 S *	5/2022	Chen	D23/382
D729,374 S *	5/2015	Dos Reis	D23/370	D954,247 S *	6/2022	Zhao	D23/370
D729,375 S *	5/2015	Dos Reis	D23/370	D957,271 S *	7/2022	Saleh	D10/46.3
D748,568 S *	2/2016	Helin	D12/570	D957,721 S *	7/2022	Wang	D26/118
D750,212 S *	2/2016	Herbst	D23/382	D960,308 S *	8/2022	Ketterling	D23/214
D750,428 S *	3/2016	Keys	D7/396.2	D962,416 S *	8/2022	Lin	D23/381
D782,020 S *	3/2017	Poulton	D23/370	D963,123 S *	9/2022	Garland	D23/252
D782,021 S *	3/2017	Poulton	D23/370	D963,125 S *	9/2022	Shell	D23/252
D782,640 S *	3/2017	Poulton	D23/370	D963,832 S *	9/2022	Yang	D23/382
D792,333 S *	7/2017	Schaedler	D12/592	D965,133 S *	9/2022	Wei	D23/370
D792,942 S *	7/2017	Adey	F24D 19/0092 D23/209	D965,742 S *	10/2022	Yan	D23/223
D795,168 S *	8/2017	Hixson	D12/592	D966,490 S *	10/2022	Liu	D2/600
D799,320 S *	10/2017	Goodwin	D9/449	D970,078 S *	11/2022	Pan	D26/71
D800,357 S *	10/2017	Pan	D26/2	D970,079 S *	11/2022	Pan	D26/71
D816,879 S *	5/2018	Guercio	D26/85	D972,708 S *	12/2022	Li	D23/380
D818,106 S *	5/2018	Junkel	D23/382	D973,515 S *	12/2022	Akana	D9/721
D818,107 S *	5/2018	Junkel	D23/382	D974,540 S *	1/2023	Tang	D23/381
D818,108 S *	5/2018	Junkel	D23/382	D976,133 S *	1/2023	Lippert	D23/235
D818,567 S *	5/2018	Burnett	D23/332	D976,136 S *	1/2023	Lippert	D23/235
				D976,361 S *	1/2023	Kaltenberg	D23/209
				D976,383 S *	1/2023	Li	D23/380
				D977,173 S *	1/2023	Ding	D26/76
				D979,710 S *	2/2023	Li	D23/223
				D981,549 S *	3/2023	Zhang	D23/380
				D982,406 S *	4/2023	Stoler	D8/56
				D982,709 S *	4/2023	Zhu	D23/263
				11,623,235 B2 *	4/2023	Cheng	B05B 3/049 239/526
				11,628,453 B2 *	4/2023	Zhou	E03C 1/086 4/675

(56) **References Cited**

U.S. PATENT DOCUMENTS

11,629,869 B1 * 4/2023 Barlettano F24F 6/16
62/176.6
D985,106 S * 5/2023 Tang D23/332
D985,733 S * 5/2023 Kulig D23/252
D985,736 S * 5/2023 Upadhyaya D23/252
D985,769 S * 5/2023 Suarez del Real Pena . D24/129
D985,942 S * 5/2023 Anderson D3/313
D986,391 S * 5/2023 Orr D23/262
D986,401 S * 5/2023 Chen D23/382
D988,236 S * 6/2023 Kleinschuster D12/544
D988,496 S * 6/2023 Yang D23/381
D992,719 S * 7/2023 Lin D23/382
2010/0254800 A1 * 10/2010 Fitton F04D 33/00
415/90
2013/0129490 A1 * 5/2013 Dos Reis F24F 7/007
415/182.1
2014/0178209 A1 * 6/2014 Smith G08C 23/04
417/44.1
2015/0202926 A1 * 7/2015 Fredenburg B60C 7/00
152/209.12
2020/0187574 A1 * 6/2020 Te Hsiang A41D 13/0053
2021/0079931 A1 * 3/2021 Hu F04D 27/00
2021/0178809 A1 * 6/2021 Mesinovic B60B 15/025
2022/0065258 A1 * 3/2022 Liu A42B 3/286
2022/0080437 A1 * 3/2022 Zhong B05B 9/03
2022/0106963 A1 * 4/2022 Li A61F 7/00
2022/0251811 A1 * 8/2022 Skaloud E03C 1/0408
2022/0362791 A1 * 11/2022 Crawford B05B 9/0816

* cited by examiner

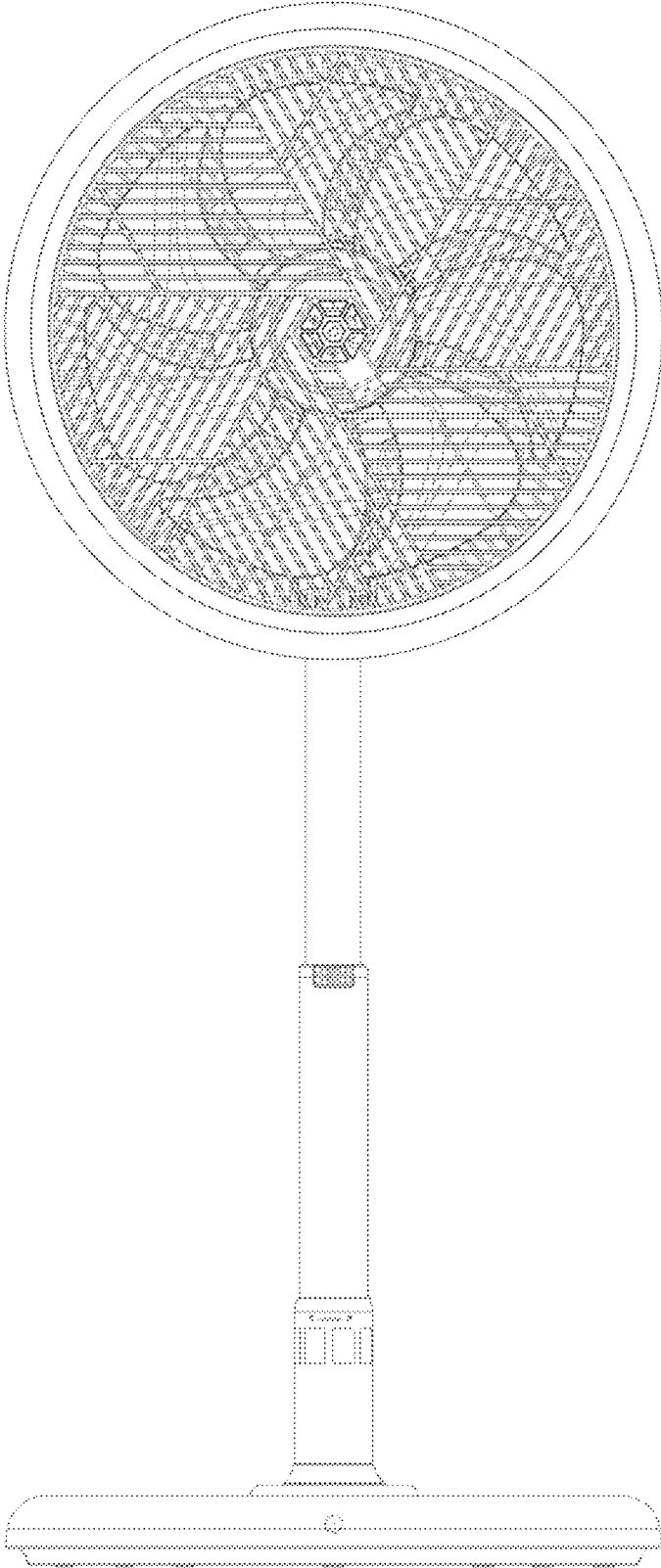


FIG. 1

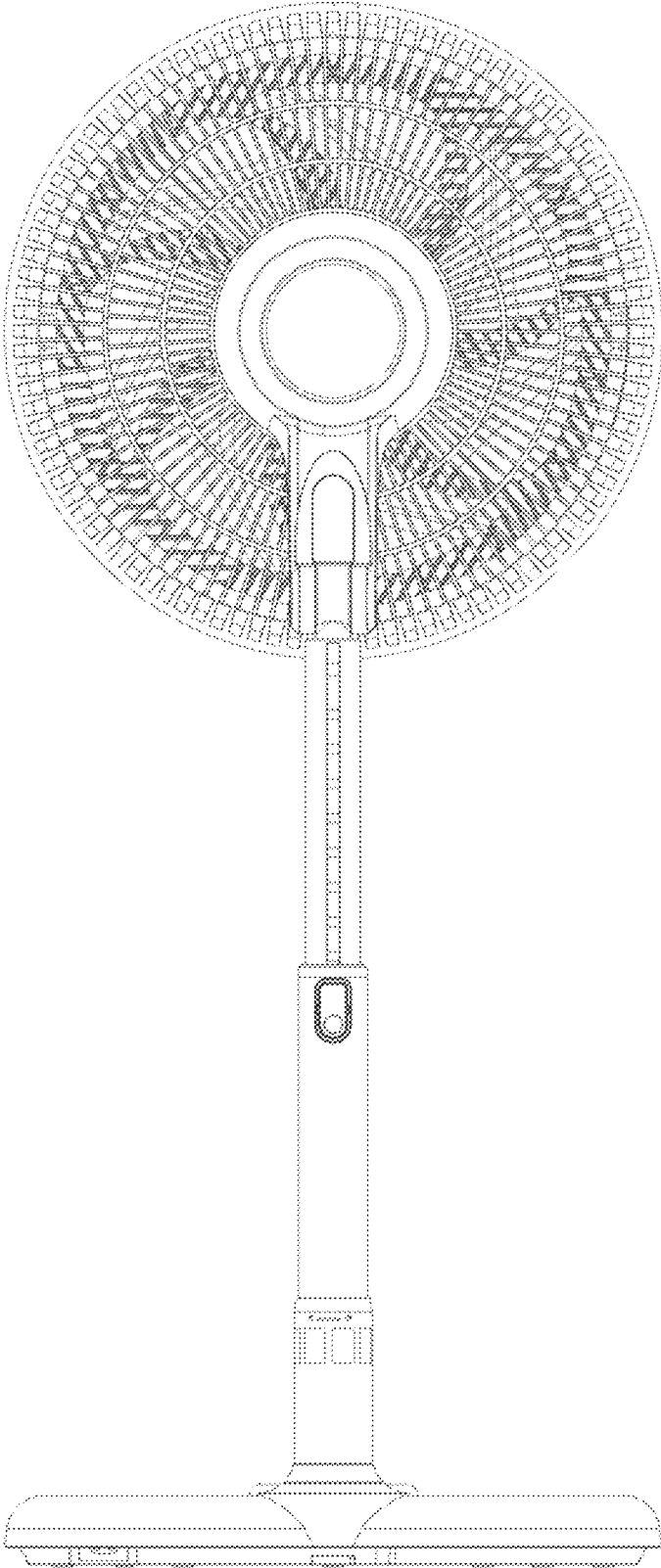


FIG. 2

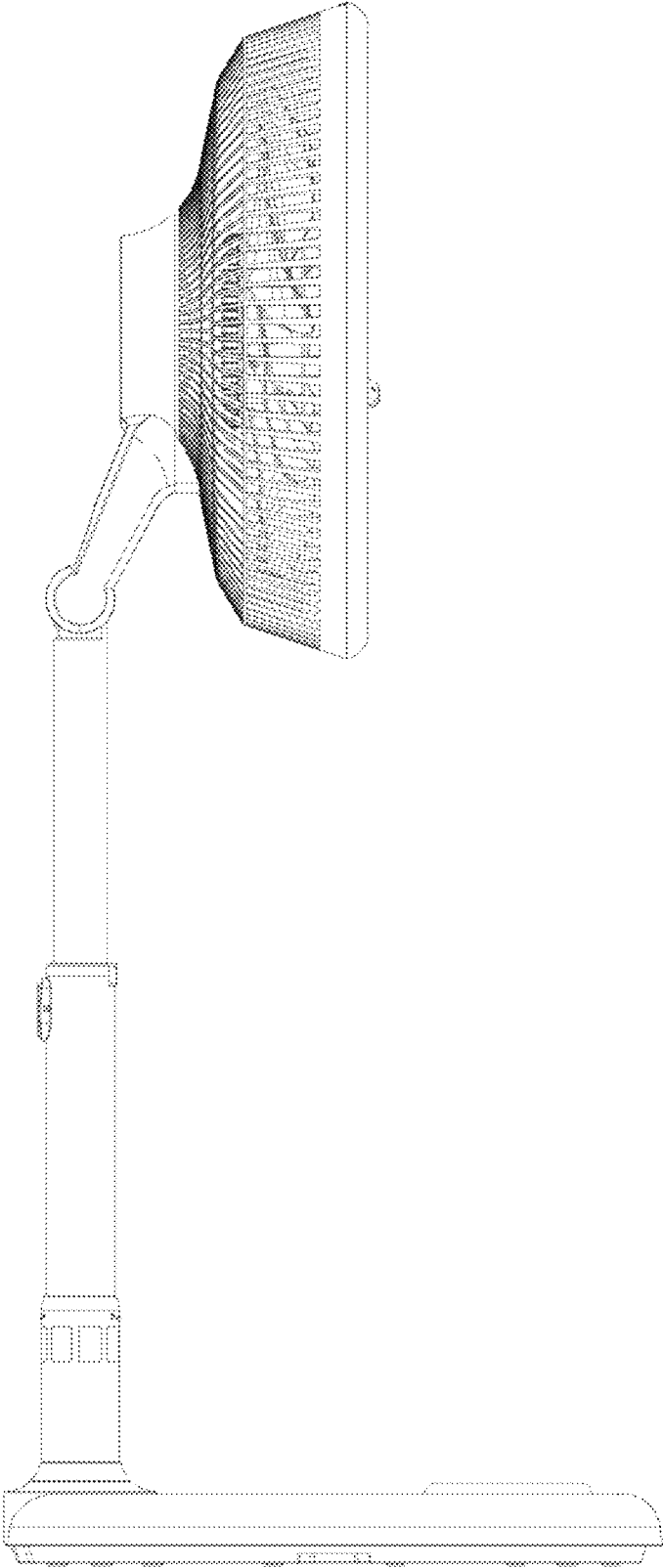


FIG. 3

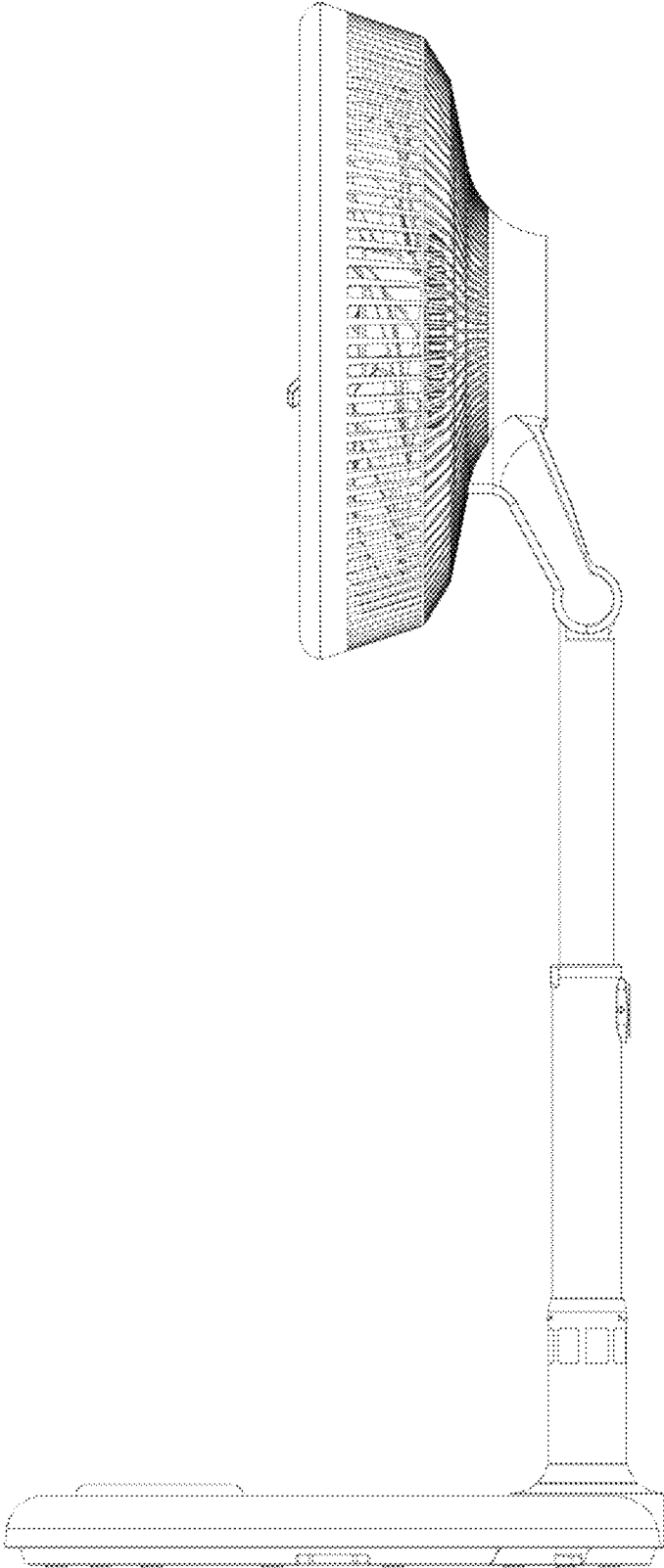


FIG. 4

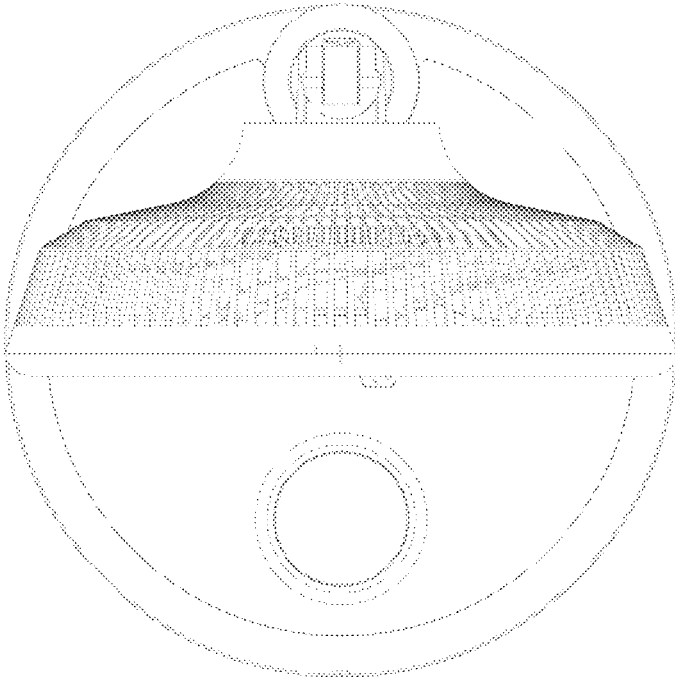


FIG. 5

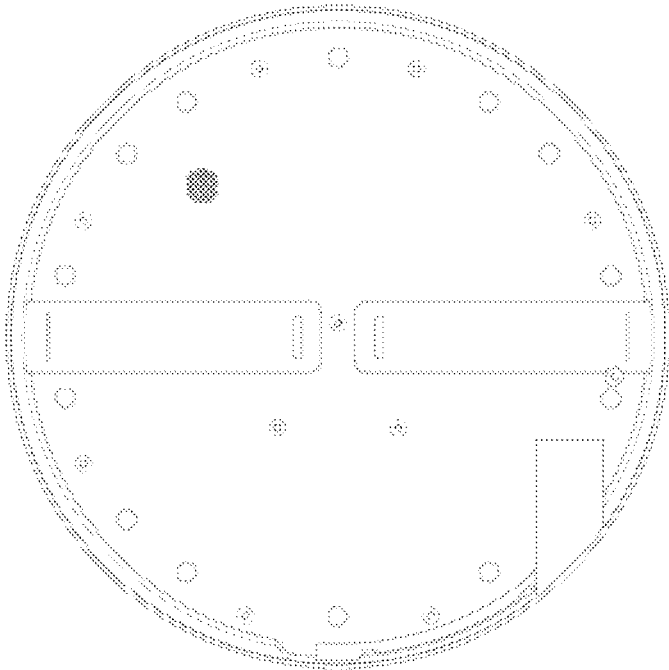


FIG. 6

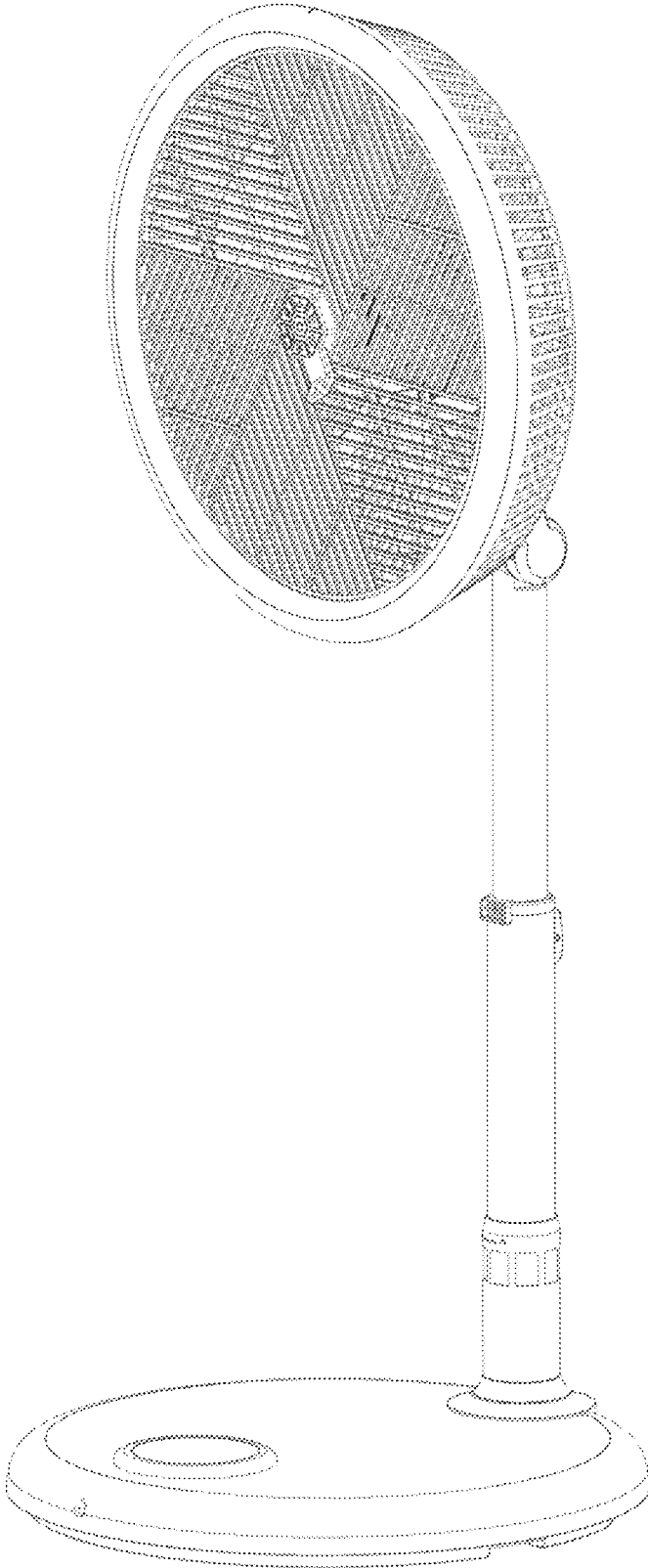


FIG. 7

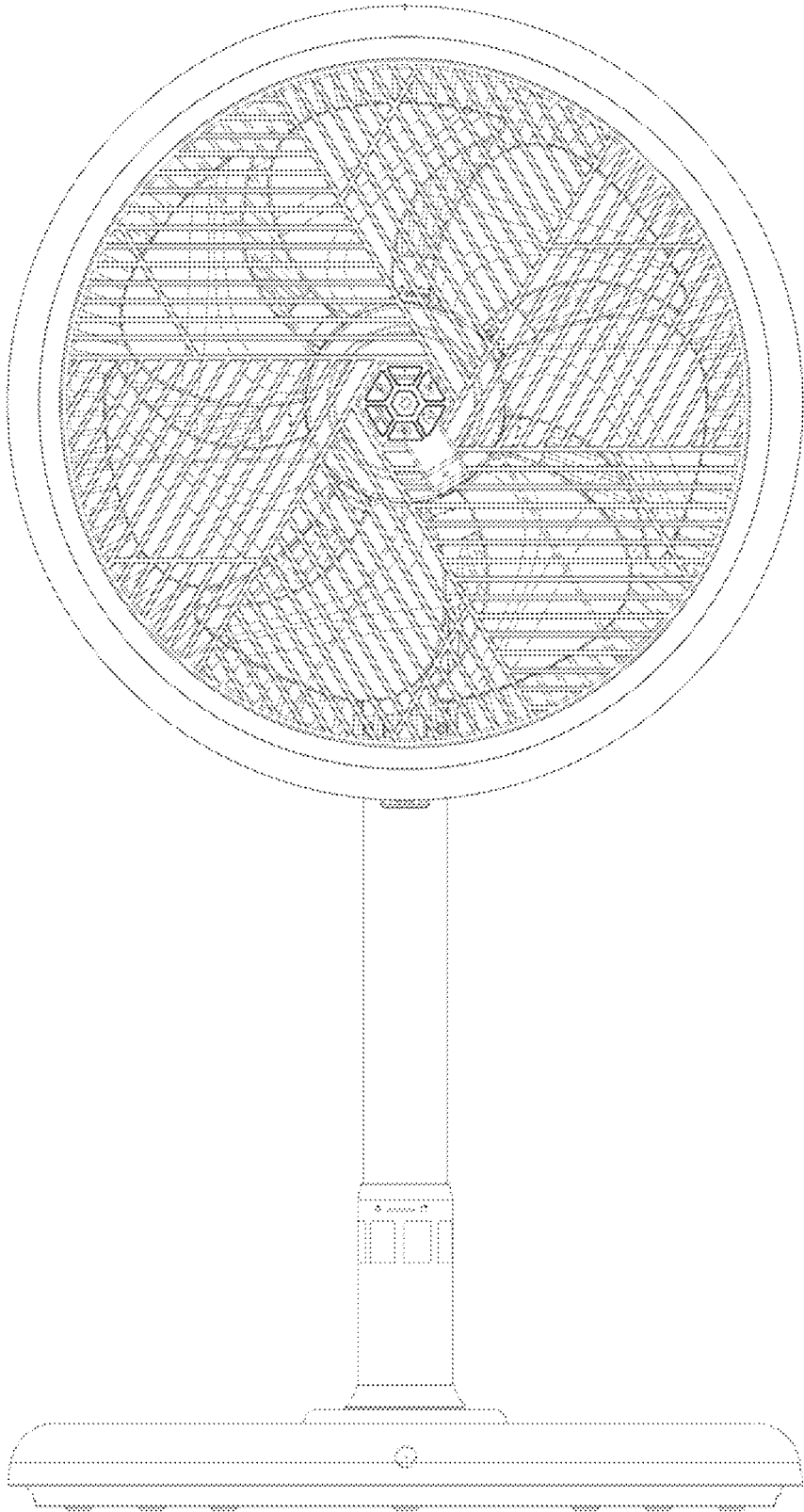


FIG. 8

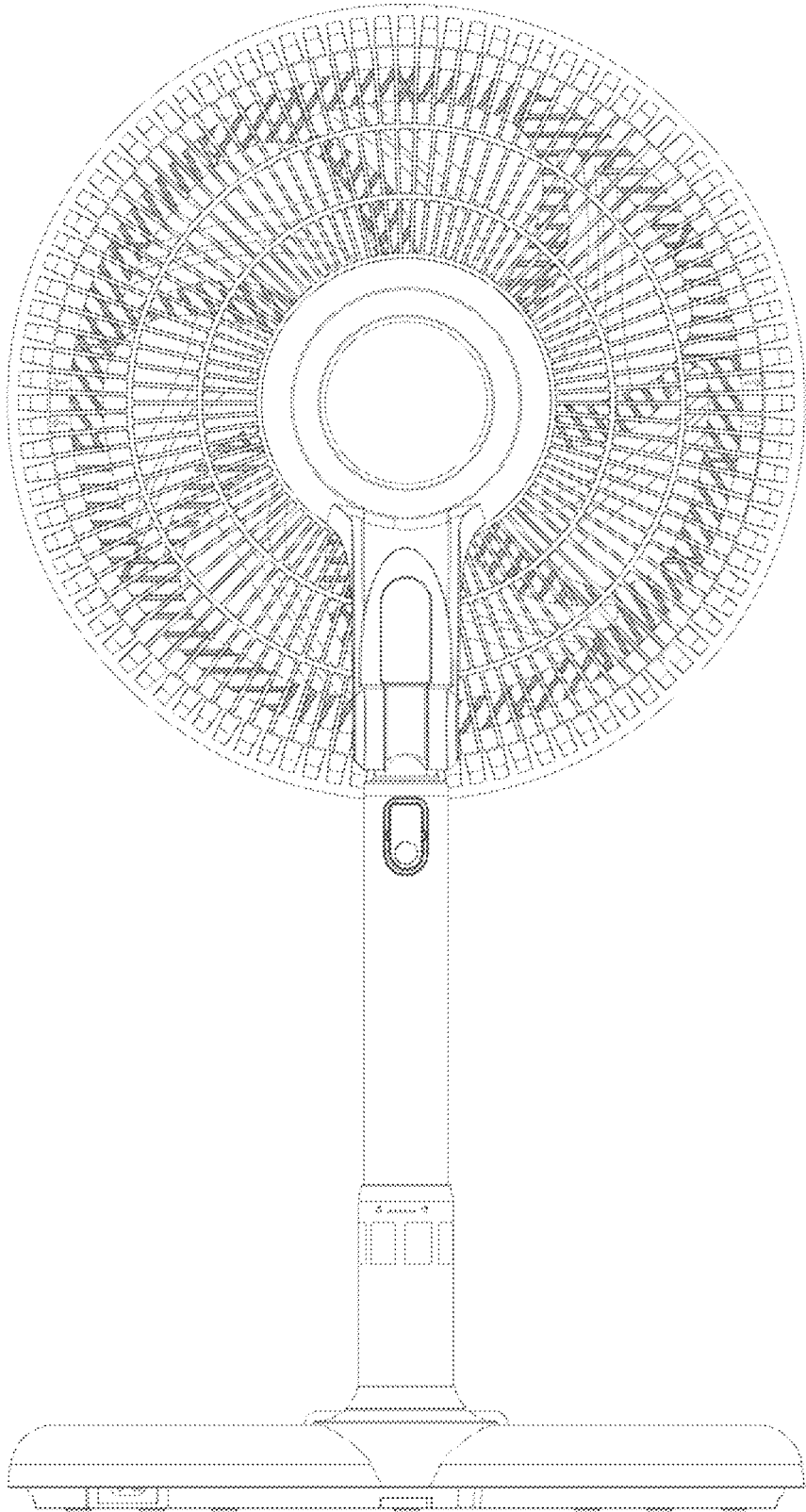


FIG. 9

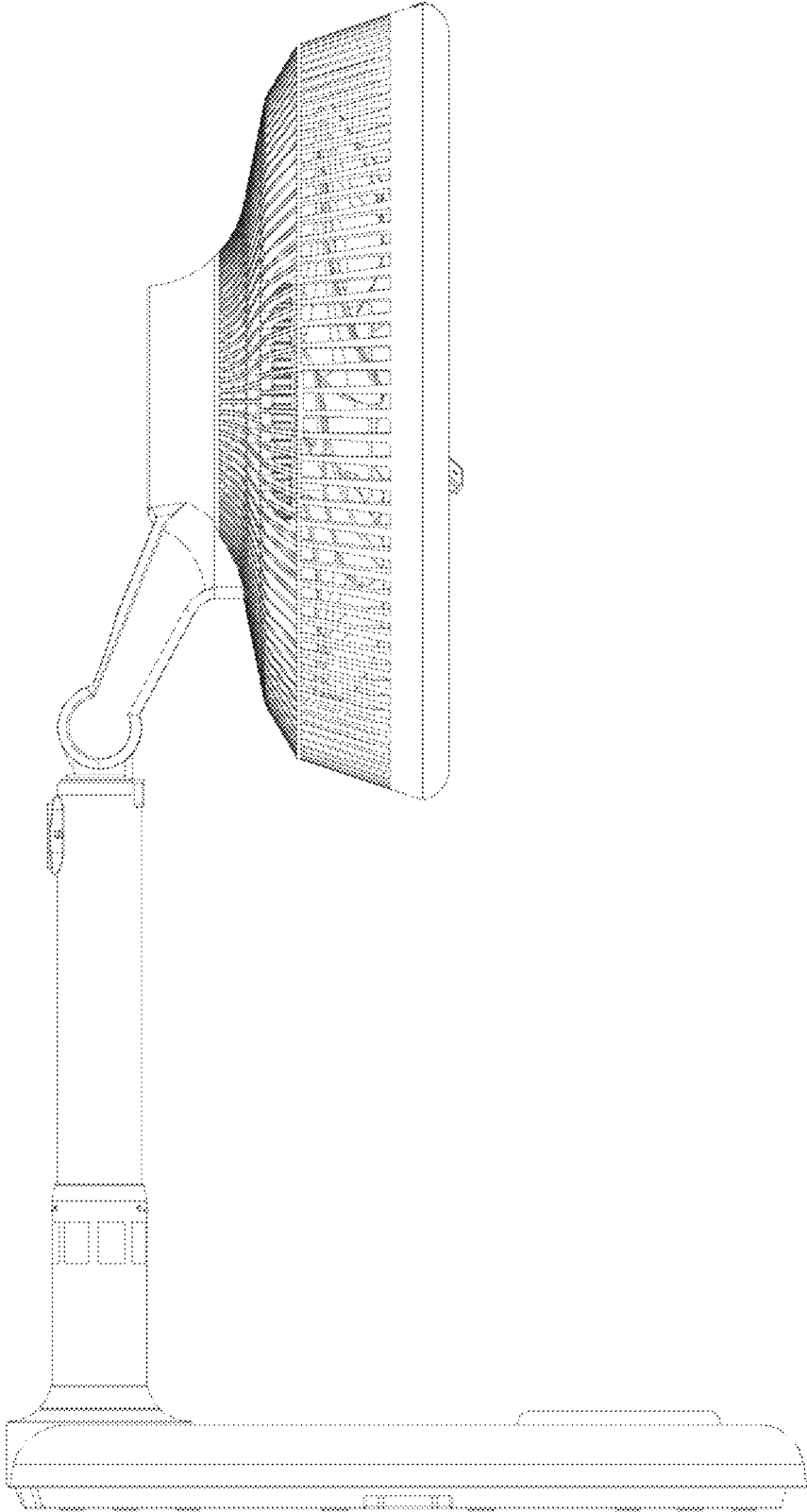


FIG. 10

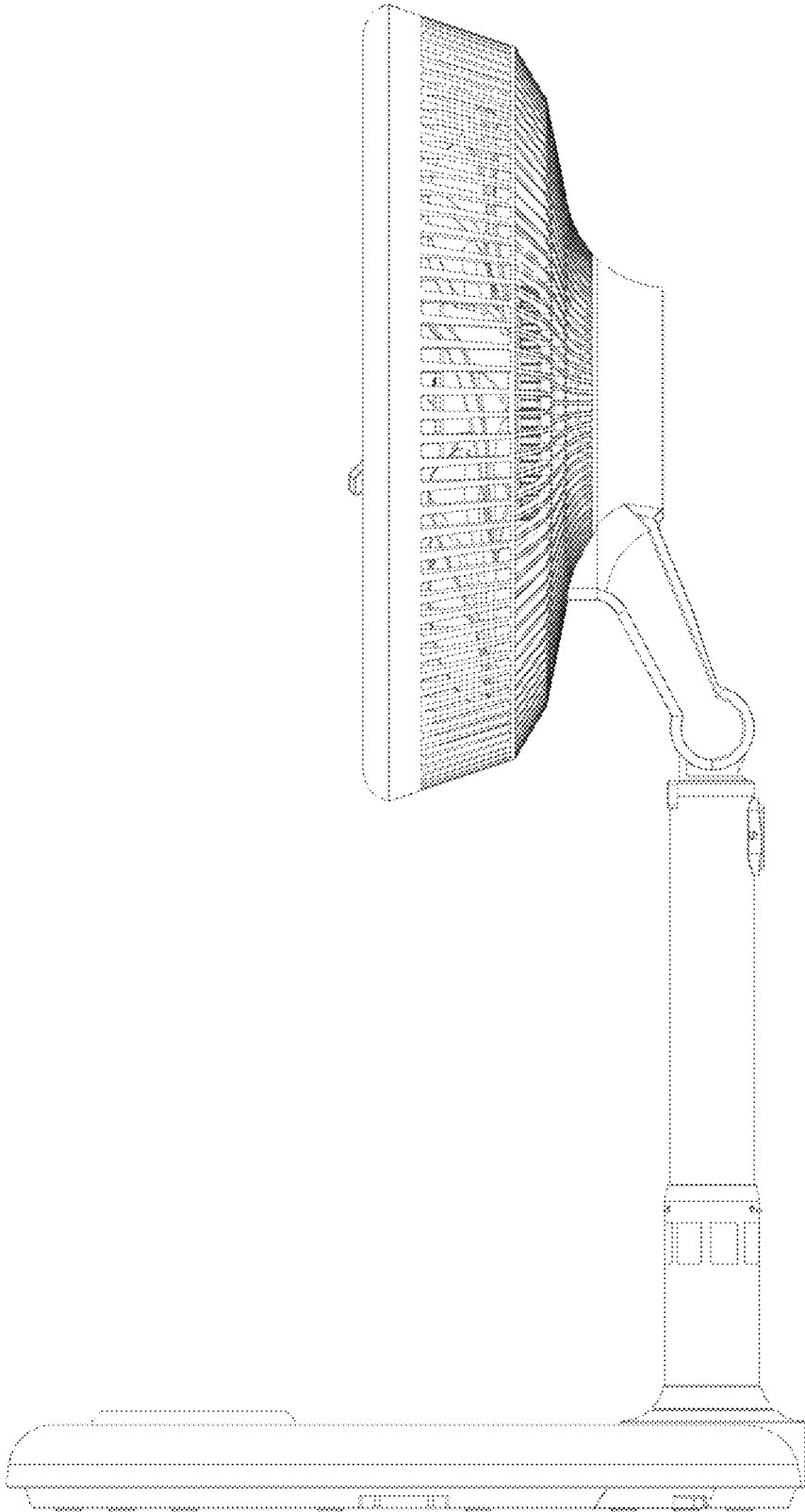


FIG. 11

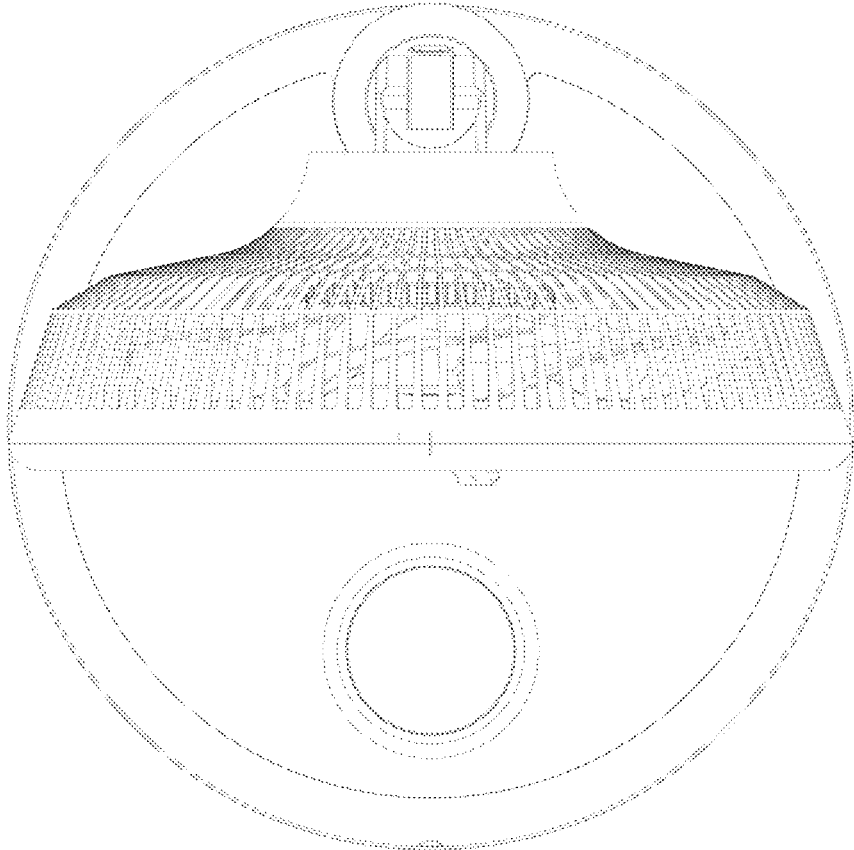


FIG. 12

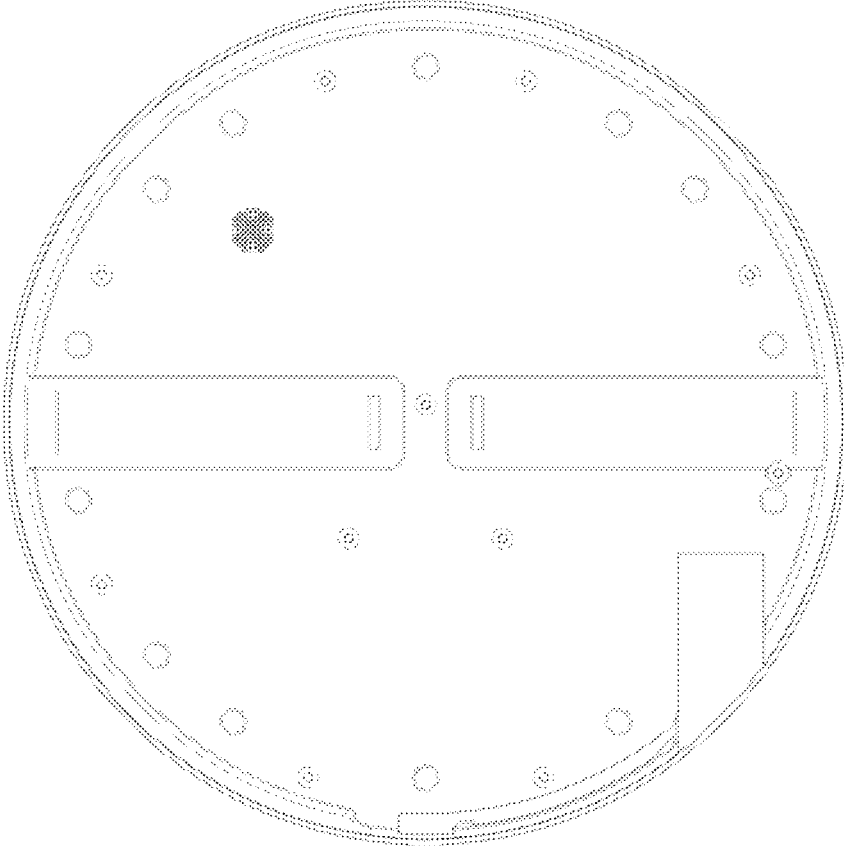


FIG. 13

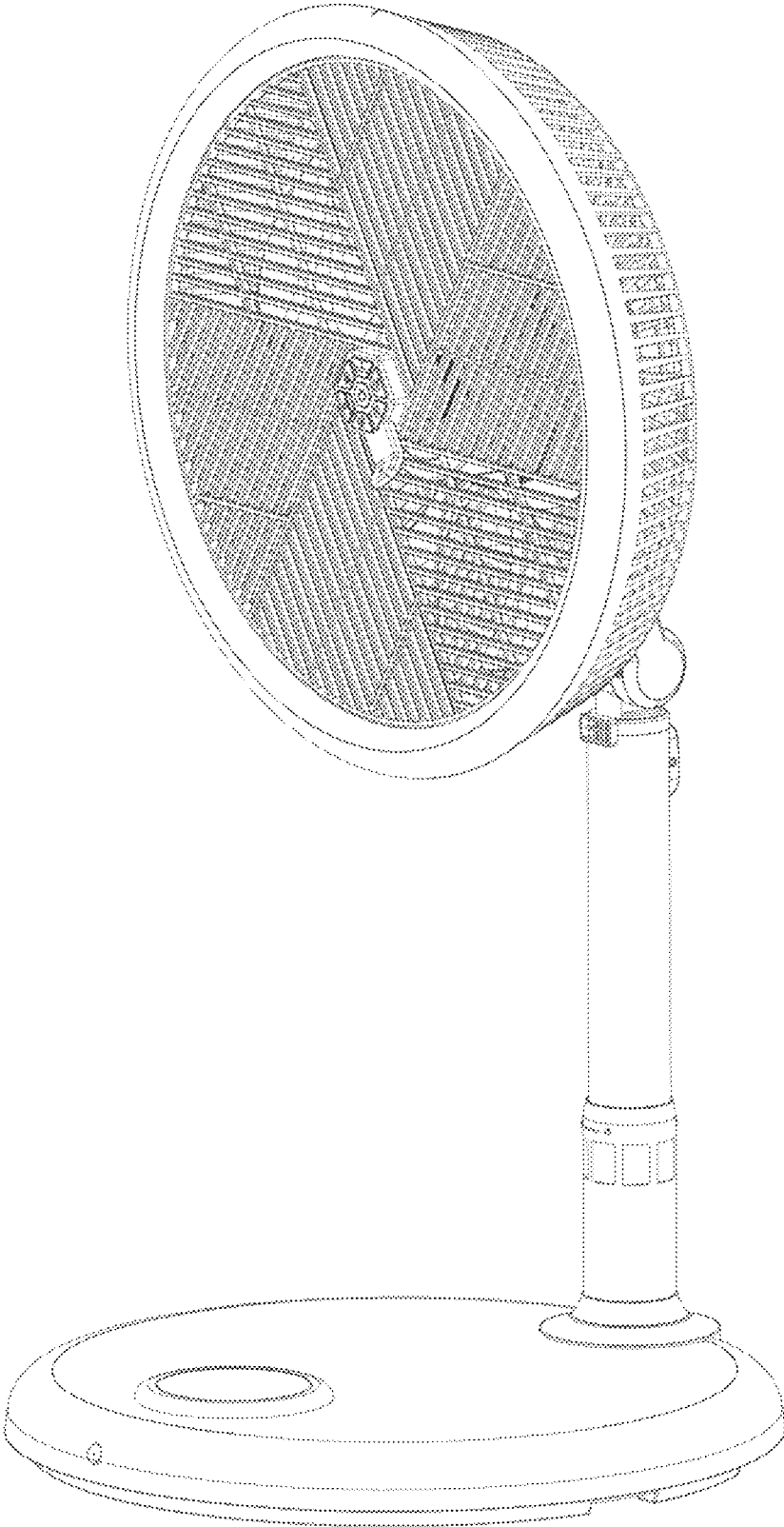


FIG. 14

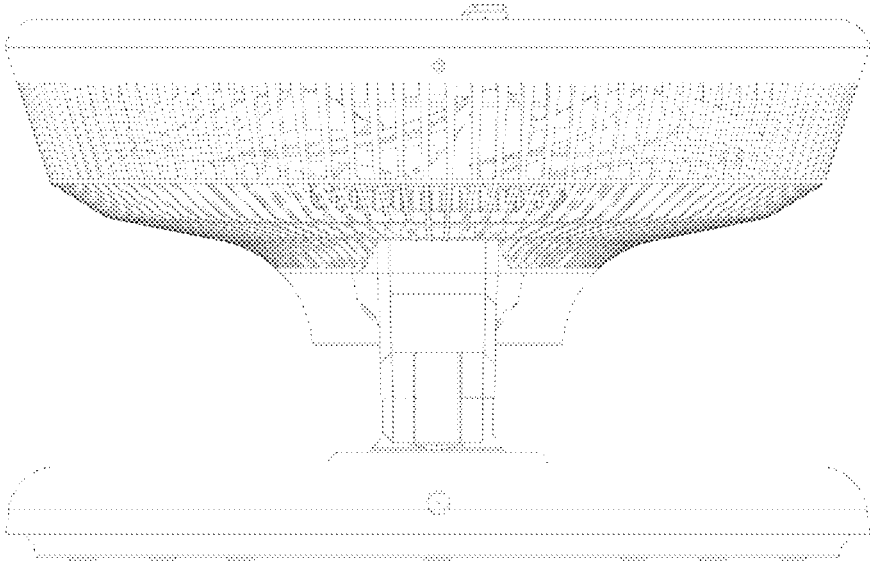


FIG. 15

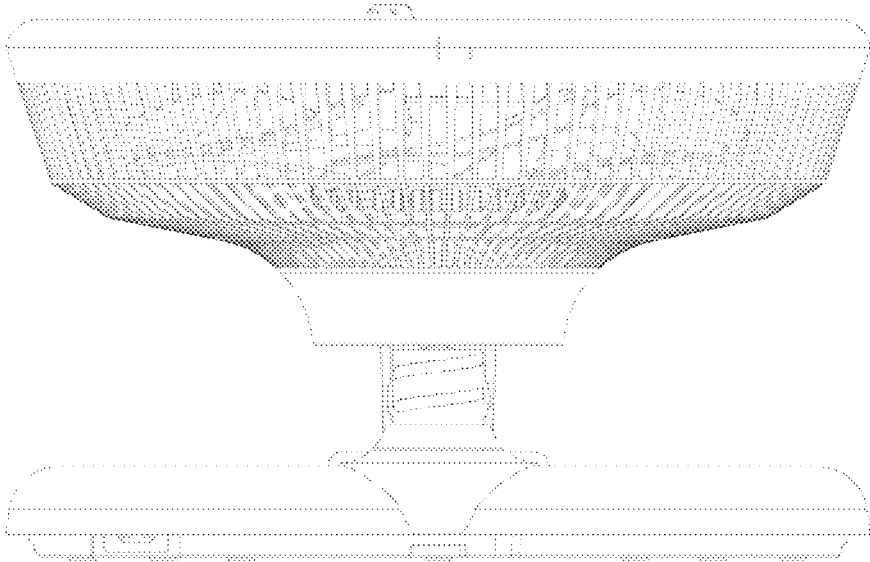


FIG. 16

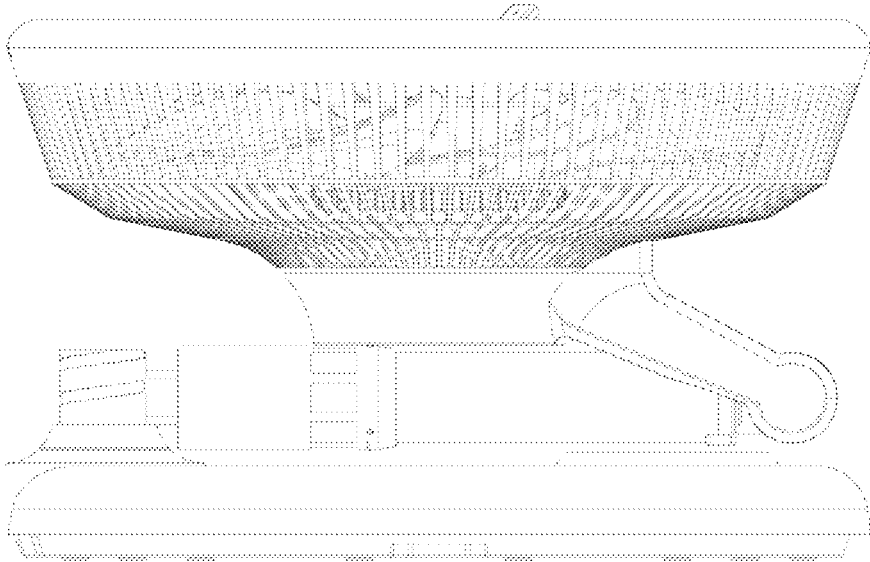


FIG. 17

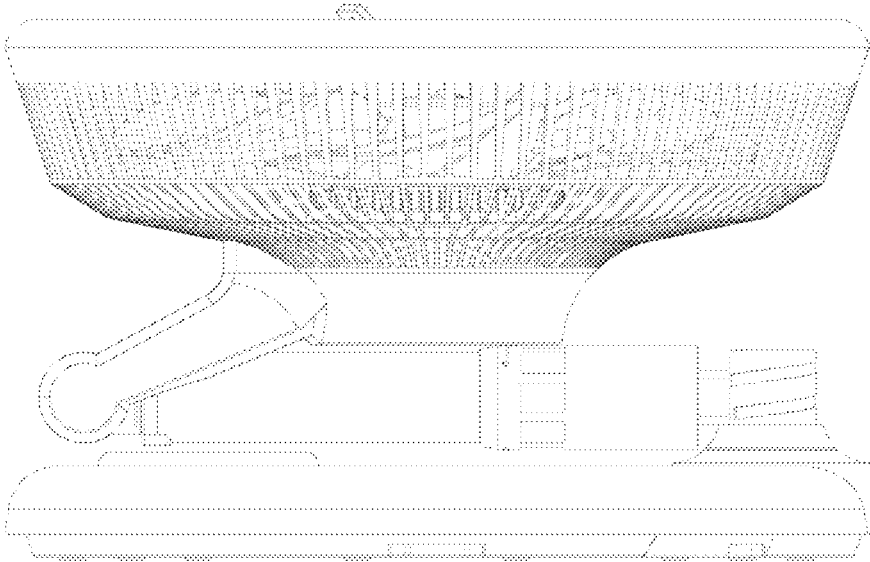


FIG. 18

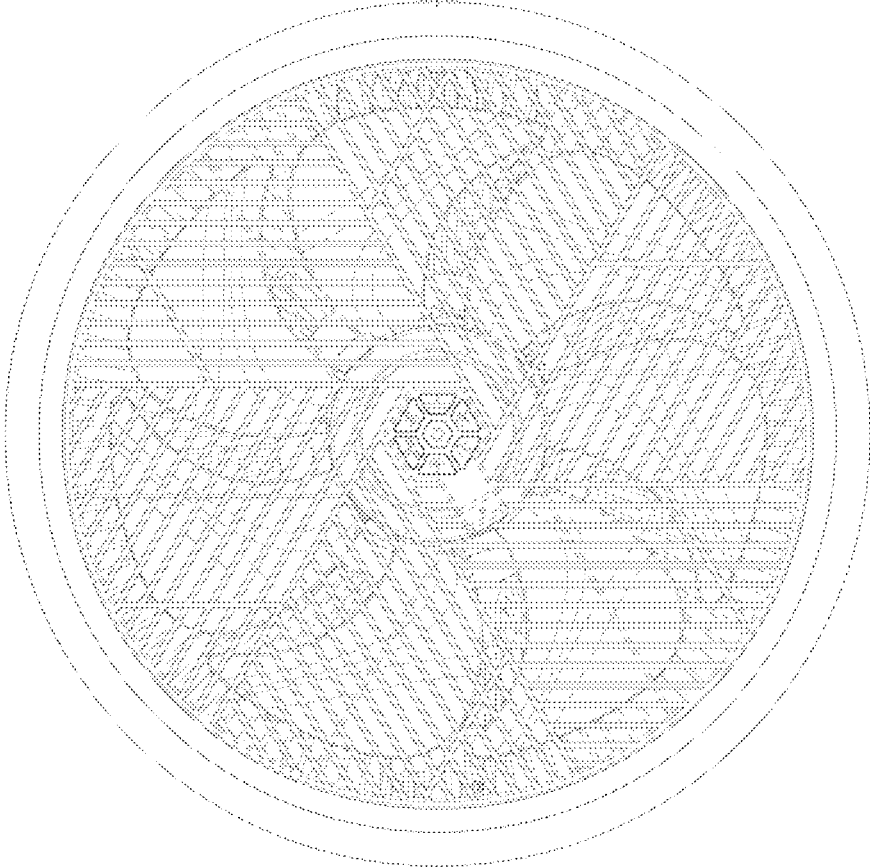


FIG. 19

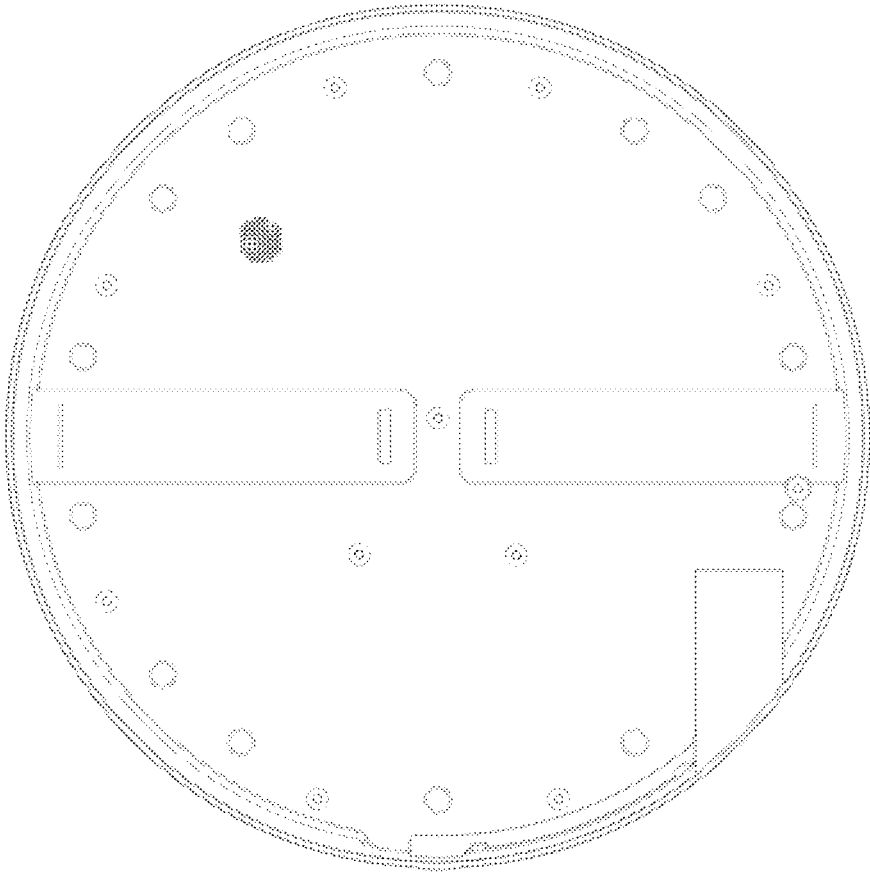


FIG. 20

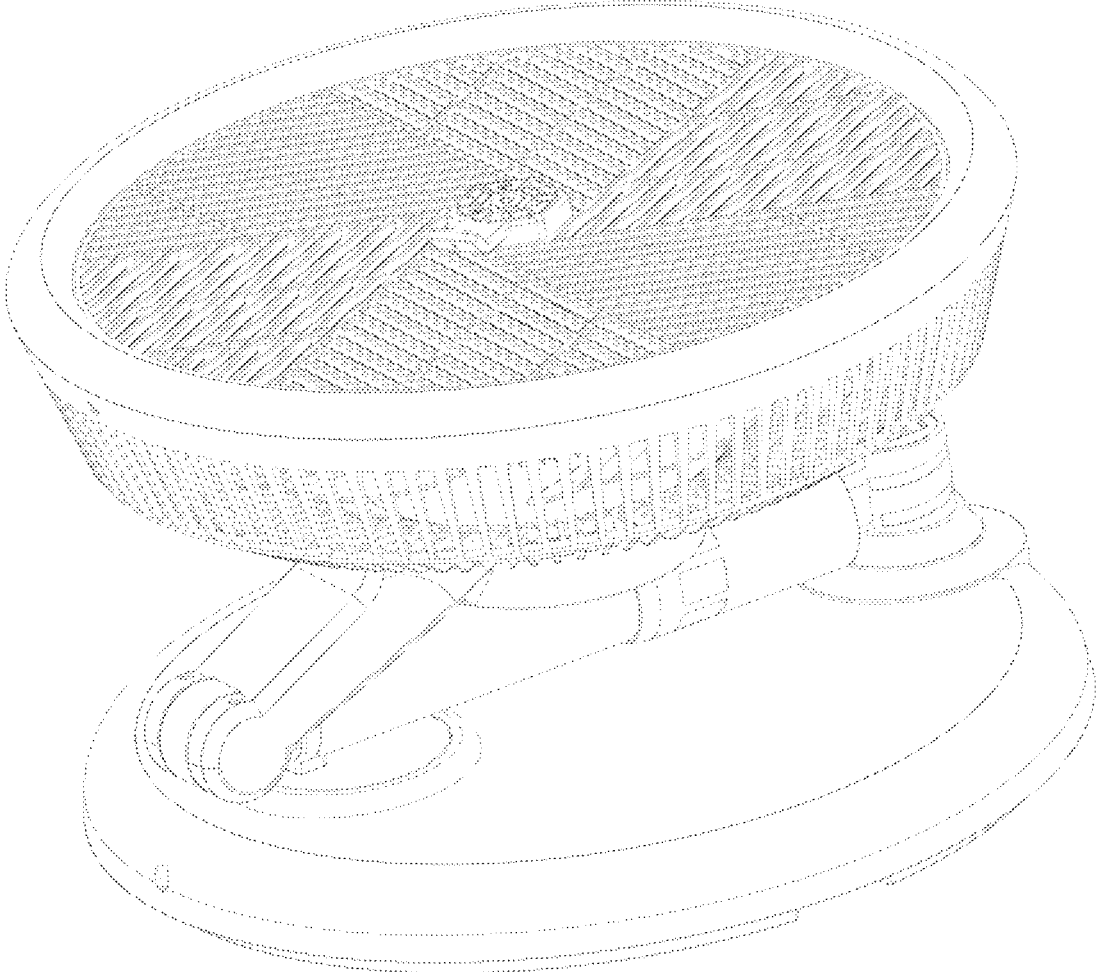


FIG. 21