



US00D831738S

(12) **United States Design Patent**
Kang et al.

(10) **Patent No.:** **US D831,738 S**

(45) **Date of Patent:** **** Oct. 23, 2018**

(54) **TONER CARTRIDGE**

(71) Applicant: **S-Printing Solution Co., Ltd.**,
Suwon-si, Gyeonggi-do (KR)

(72) Inventors: **Minwoo Kang**, Osa-si (KR); **Jungho Roh**, Suwon-si (KR); **Myeongdong Kim**, Cheongju-si (KR); **Yong-Sung Kim**, Seoul (KR); **Youngkwang Shin**, Suwon-si (KR)

(73) Assignee: **S-PRINTING SOLUTION CO., LTD.**,
Gyeonggi-Do, Suwon-si (KR)

(**) Term: **15 Years**

(21) Appl. No.: **29/547,414**

(22) Filed: **Dec. 3, 2015**

(30) **Foreign Application Priority Data**

Sep. 16, 2015 (KR) 30-2015-0047119

(51) **LOC (11) Cl.** **16-03**

(52) **U.S. Cl.**
USPC **D18/43**

(58) **Field of Classification Search**
USPC D18/43, 36-37, 40, 50, 55
CPC G03G 21/12; G03G 15/0834; G03G
15/0837; G03G 15/0872; G03G
2215/0668; H04N 2201/0094
See application file for complete search history.

(56) **References Cited**

U.S. PATENT DOCUMENTS

D394,083	S	*	5/1998	Jyoroku	D18/43
D574,882	S	*	8/2008	Saito	D18/43
D630,244	S	*	1/2011	Takiguchi	D18/43
D636,016	S	*	4/2011	Naito	D18/43
D653,702	S	*	2/2012	Amberg	D18/43
D689,128	S	*	9/2013	Amberg	D18/43

D692,944	S	*	11/2013	Noh	D18/43
D736,851	S	*	8/2015	Kang	D18/43
D746,906	S	*	1/2016	Kitagawa	D18/43
D774,130	S	*	12/2016	Yoshii	D18/43
D785,082	S	*	4/2017	Murase	D18/43
D785,083	S	*	4/2017	Ahn	D18/43
D791,225	S	*	7/2017	Yoshii	D18/43
D791,865	S	*	7/2017	Yoshii	D18/43
D794,116	S	*	8/2017	Suzuki	D18/43
D798,380	S	*	9/2017	Murata	D18/43
D806,788	S	*	1/2018	Murase	D18/43

(Continued)

Primary Examiner — Robin V Webster

Assistant Examiner — James C Thorn, Sr.

(74) *Attorney, Agent, or Firm* — Cantor Colburn LLP

(57) **CLAIM**

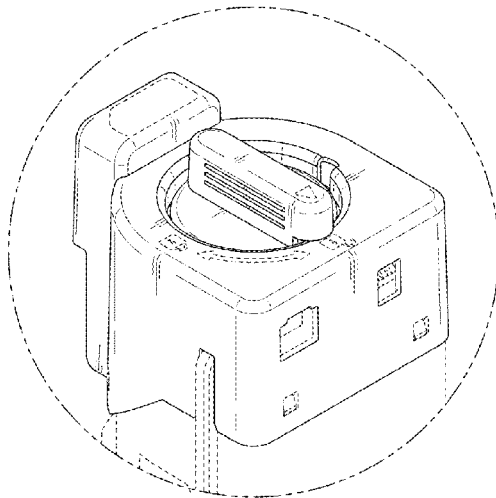
The ornamental design for a toner cartridge, as shown and described.

DESCRIPTION

FIG. 1 is a top perspective view of a toner cartridge showing our new design;
FIG. 2 is a front elevation view thereof;
FIG. 3 is a rear elevation view thereof;
FIG. 4 is a left side elevation view thereof;
FIG. 5 is a right side elevation view thereof;
FIG. 6 is a top plan view thereof;
FIG. 7 is a bottom plan view thereof;
FIG. 8 is a bottom perspective view thereof;
FIG. 9 is an enlarged top perspective view of the encircled portion of FIG. 1; and,
FIG. 10 is an enlarged top perspective view of the encircled portion of FIG. 8.

The dashed broken lines in the figures represent portions of the toner cartridge that form no part of the claimed design. The dot-dot-dash broken lines in the figures encircling portions of the claimed design that are illustrated in an enlarged view form no part of the claimed design.

1 Claim, 10 Drawing Sheets



(56)

References Cited

U.S. PATENT DOCUMENTS

D807,954	S	*	1/2018	Murase	D18/43
D817,387	S	*	5/2018	Han	D18/43
2017/0003621	A1	*	1/2017	Wang	G03G 15/0865
2017/0329256	A1	*	11/2017	Li	G03G 15/0841
2018/0081298	A1	*	3/2018	Erickson	G03G 15/0872

* cited by examiner

FIG. 1

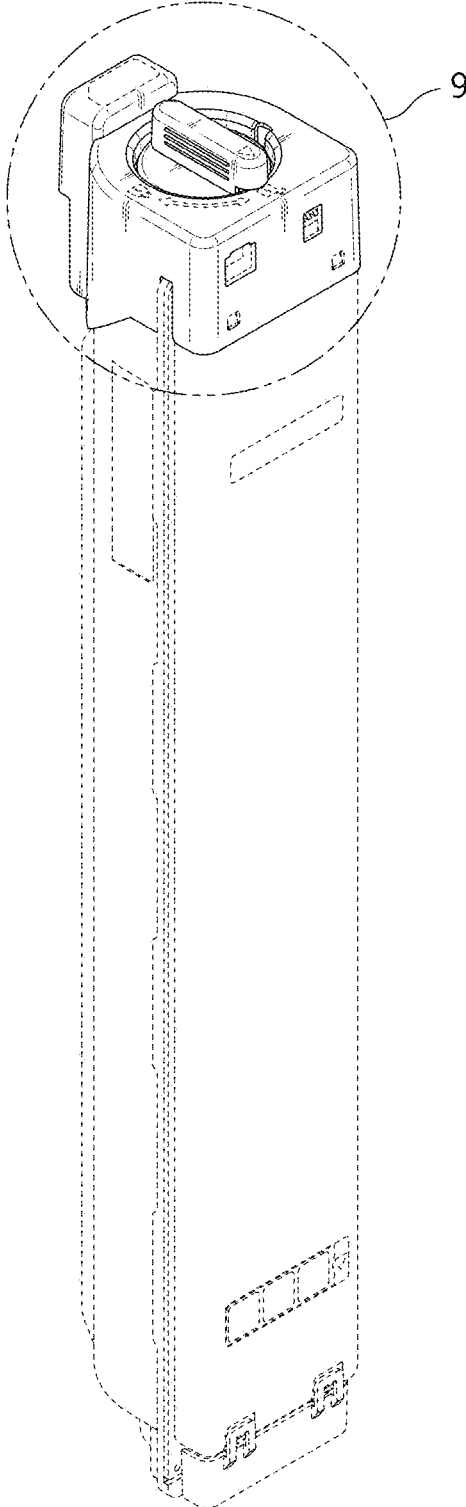


FIG. 2



FIG. 3

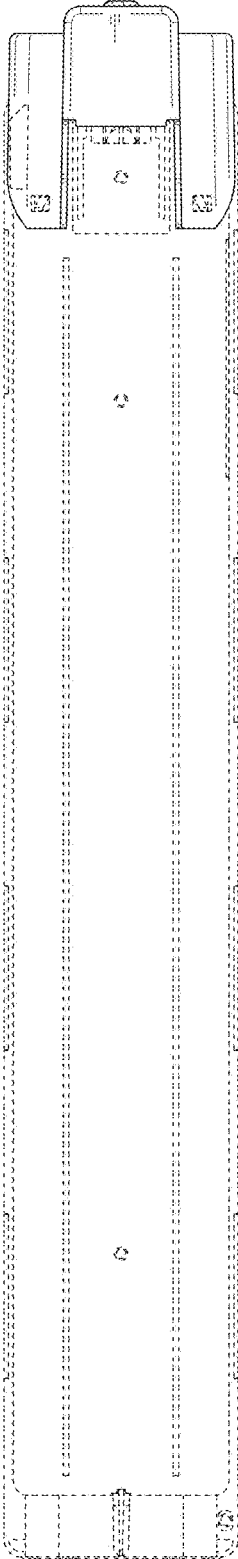


FIG. 4

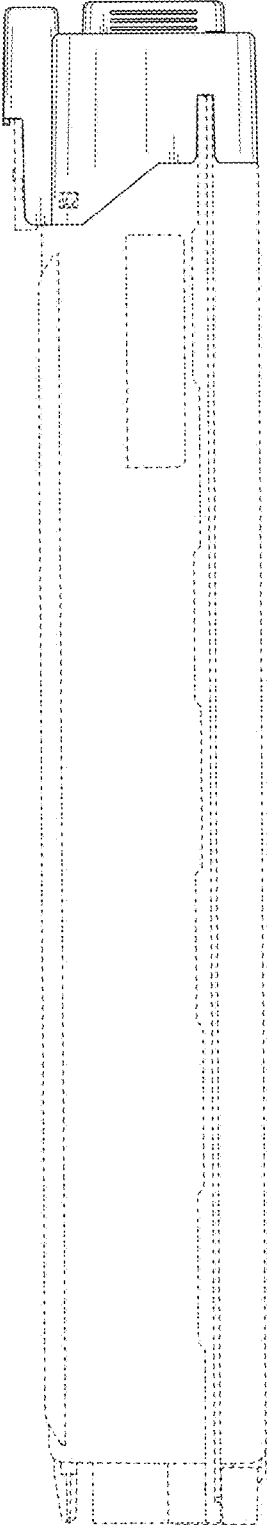


FIG. 5

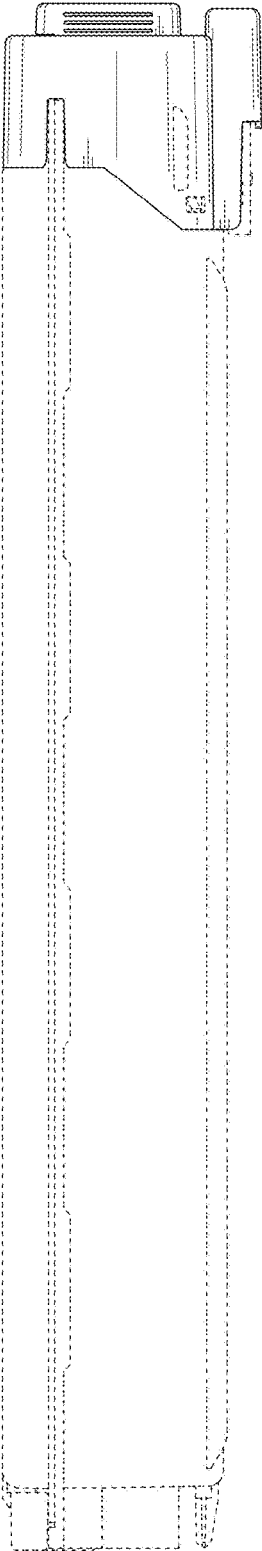


FIG. 6

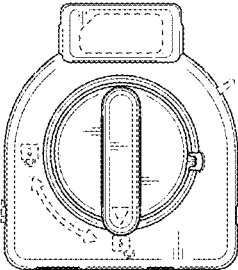


FIG. 7

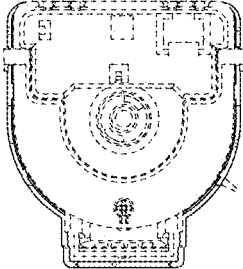


FIG. 8

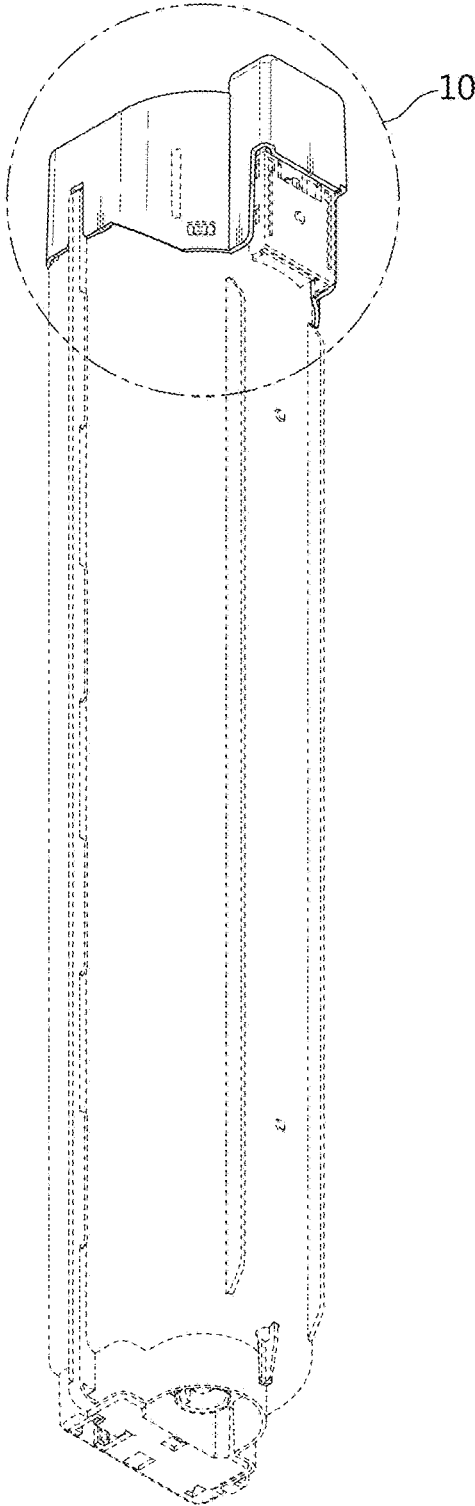


FIG. 9

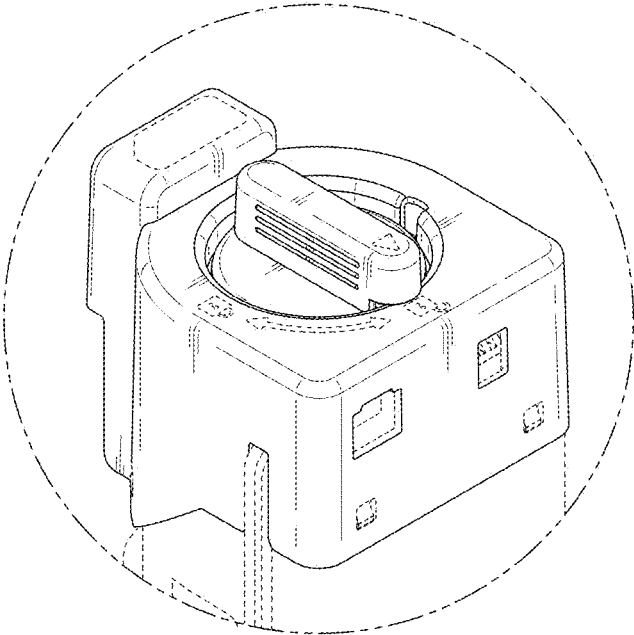


FIG. 10

