



US00D780372S

(12) **United States Design Patent**  
**Liu**

(10) **Patent No.:** **US D780,372 S**

(45) **Date of Patent:** **\*\* Feb. 28, 2017**

(54) **ELECTRONIC CIGARETTE ATOMIZER**

(74) *Attorney, Agent, or Firm* — Tim Tingkang Xia, Esq.;  
Locke Lord LLP

(71) Applicant: **HUIZHOU KIMREE  
TECHNOLOGY CO., LTD**, Huizhou  
(CN)

(57) **CLAIM**

The ornamental design for an electronic cigarette atomizer,  
as shown and described.

(72) Inventor: **Qiuming Liu**, Guangdong (CN)

**DESCRIPTION**

(73) Assignee: **HUIZHOU KIMREE  
TECHNOLOGY CO., LTD**, Huizhou  
(CN)

FIG. 1 is a front elevation view of a first embodiment of an  
electronic cigarette atomizer;  
FIG. 2 is a left side elevation view of the first embodiment  
thereof;  
FIG. 3 is a top plan view of the first embodiment thereof;  
FIG. 4 is a bottom plan view of the first embodiment thereof;  
FIG. 5 is a perspective view of the first embodiment thereof;  
FIG. 6 is a reference view of transparent part of the first  
embodiment thereof;  
FIG. 7 is a front elevation view of a second embodiment  
thereof;  
FIG. 8 is a left side elevation view of the second embodi-  
ment thereof;  
FIG. 9 is a top plan view of the second embodiment thereof;  
FIG. 10 is a bottom plan view of the second embodiment  
thereof;  
FIG. 11 is a perspective view of the second embodiment  
thereof; and,  
FIG. 12 is a reference view of transparent part of the second  
embodiment thereof.

(\*\*) Term: **14 Years**

(21) Appl. No.: **29/523,691**

(22) Filed: **Apr. 13, 2015**

(30) **Foreign Application Priority Data**

Aug. 20, 2014 (CN) ..... 2014 3 0297249

(51) **LOC (10) Cl.** ..... **27-01**

(52) **U.S. Cl.**  
USPC ..... **D27/101**

(58) **Field of Classification Search**  
USPC ..... D27/100, 101, 162, 163–167, 169, 170,  
D27/171, 193, 194; D23/202; D13/103;  
(Continued)

The broken line showing of portions of the electronic  
cigarette atomizer depicts environment and forms no part of  
the claim.

(56) **References Cited**

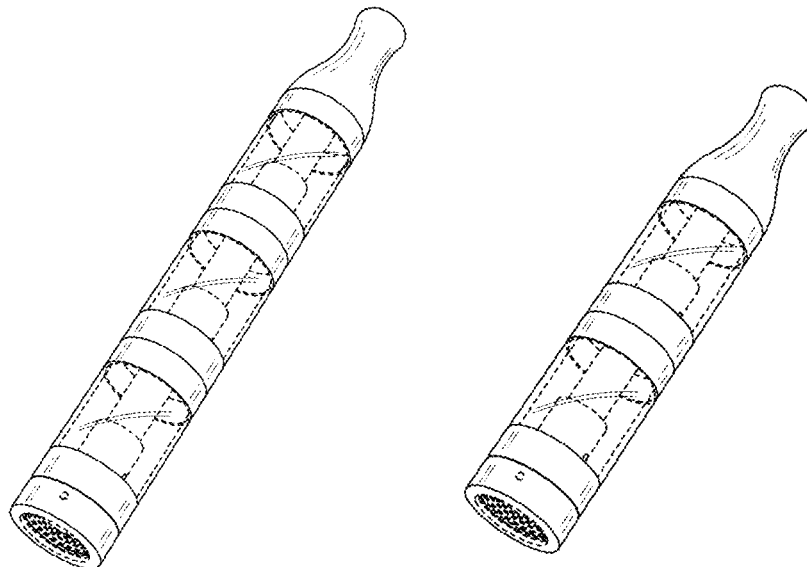
**U.S. PATENT DOCUMENTS**

D167,230 S \* 7/1952 Rehfeld ..... D27/163  
D292,324 S \* 10/1987 Decker ..... D27/170  
(Continued)

The rear elevational view and the right side elevational view  
of the first embodiment of the product are omitted, because  
they are the same as the front elevational view and the left  
side elevational view of the first embodiment respectively.  
And the rear elevational view and the right side elevational  
view of the second embodiment are omitted, because they  
are the same as the front elevational view and the left side  
elevational view of the second embodiment respectively.

*Primary Examiner* — Robert M Spear  
*Assistant Examiner* — Marissa J Cash

**1 Claim, 9 Drawing Sheets**



# US D780,372 S

(58) **Field of Classification Search**

USPC ..... D19/115, 116, 162, 163, 164; D11/143;  
D7/300; D9/444, 445

CPC ..... A24F 47/008; A24F 47/002; A24F 15/12;  
A24F 47/00

See application file for complete search history.

2013/0068239 A1\* 3/2013 Youn ..... A24F 47/008  
131/273  
2013/0228191 A1\* 9/2013 Newton ..... A24F 47/008  
131/329  
2014/0041655 A1\* 2/2014 Barron ..... A61M 11/042  
128/202.21  
2014/0123990 A1\* 5/2014 Timmermans ..... 131/328  
2014/0299140 A1\* 10/2014 Liu ..... 131/329  
2015/0034104 A1\* 2/2015 Zhou ..... A24F 47/008

(56) **References Cited**

U.S. PATENT DOCUMENTS

D644,375 S \* 8/2011 Zhou ..... D27/101  
D687,181 S \* 7/2013 Goch ..... D27/101  
D688,416 S \* 8/2013 Liu ..... D27/101  
D693,053 S \* 11/2013 Chen ..... D27/101  
D695,450 S \* 12/2013 Benassayag ..... D24/110.5  
D720,095 S \* 12/2014 Alima ..... D27/101  
D720,496 S \* 12/2014 Alima ..... D27/101  
D720,881 S \* 1/2015 Liu ..... D27/101  
D723,216 S \* 2/2015 Chen ..... D27/101  
8,955,522 B1\* 2/2015 Bowen ..... A24F 47/008  
128/202.21  
D724,780 S \* 3/2015 Wu ..... D27/101  
D724,782 S \* 3/2015 Wu ..... D27/101  
D728,155 S \* 4/2015 Liu ..... D27/101  
D728,156 S \* 4/2015 Wu ..... D27/101  
D729,441 S \* 5/2015 Hua ..... D27/101  
D739,597 S \* 9/2015 Lavanchy ..... D27/100  
9,155,336 B2\* 10/2015 Liu ..... A24F 47/002  
D752,278 S \* 3/2016 Verleur ..... D13/103  
D758,650 S \* 6/2016 Wu ..... D27/101  
D758,651 S \* 6/2016 Wu ..... D27/101

2015/0114406 A1\* 4/2015 Newton ..... A24F 47/002  
131/329  
2015/0181944 A1\* 7/2015 Li ..... A24F 47/008  
131/329  
2015/0257449 A1\* 9/2015 Gabbay ..... A24F 47/008  
392/386  
2015/0282529 A1\* 10/2015 Li ..... A24F 47/008  
131/273  
2015/0282530 A1\* 10/2015 Johnson ..... A24F 47/008  
392/387  
2015/0332379 A1\* 11/2015 Alarcon ..... A24F 15/18  
705/26.81  
2015/0335073 A1\* 11/2015 Li ..... A24F 47/008  
131/329  
2015/0342258 A1\* 12/2015 Chen ..... H05B 3/06  
131/329  
2016/0113327 A1\* 4/2016 Wu ..... H05B 3/06  
131/329  
2016/0135505 A1\* 5/2016 Li ..... H05B 3/44  
131/329  
2016/0165955 A1\* 6/2016 Horne ..... A45F 5/02  
131/328

\* cited by examiner

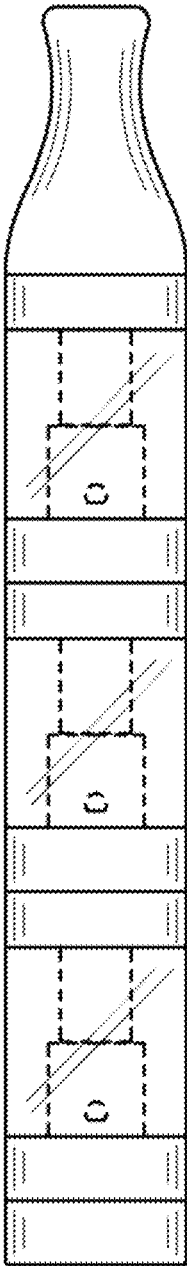


Fig. 1

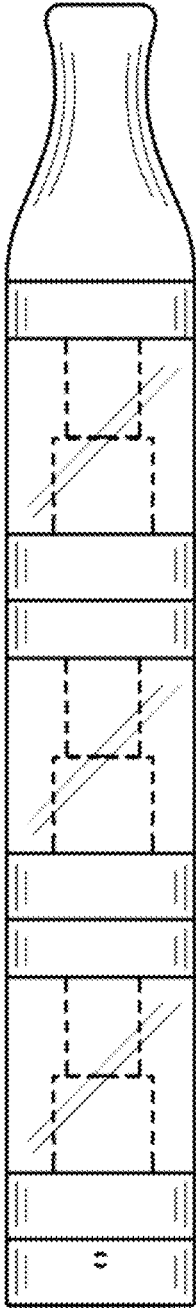


Fig. 2

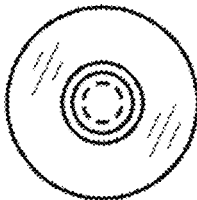


Fig. 3

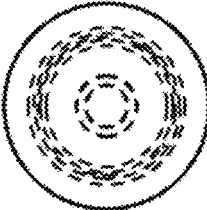


Fig. 4

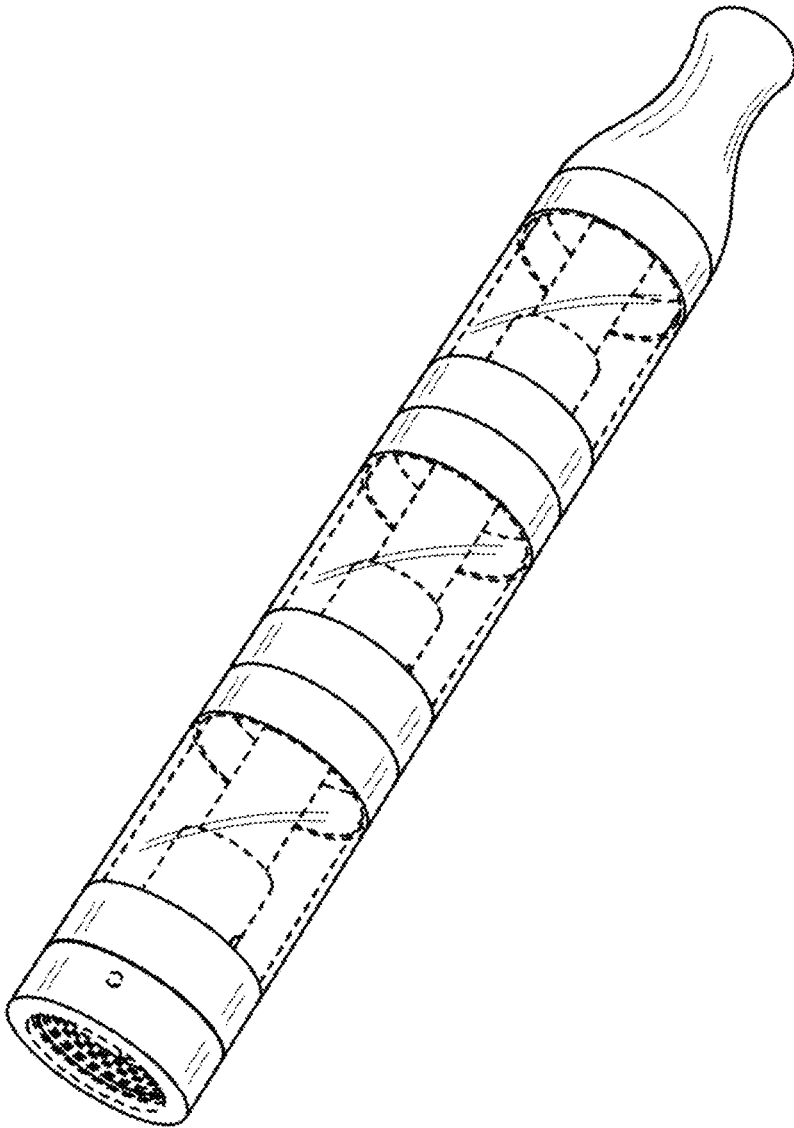


Fig. 5

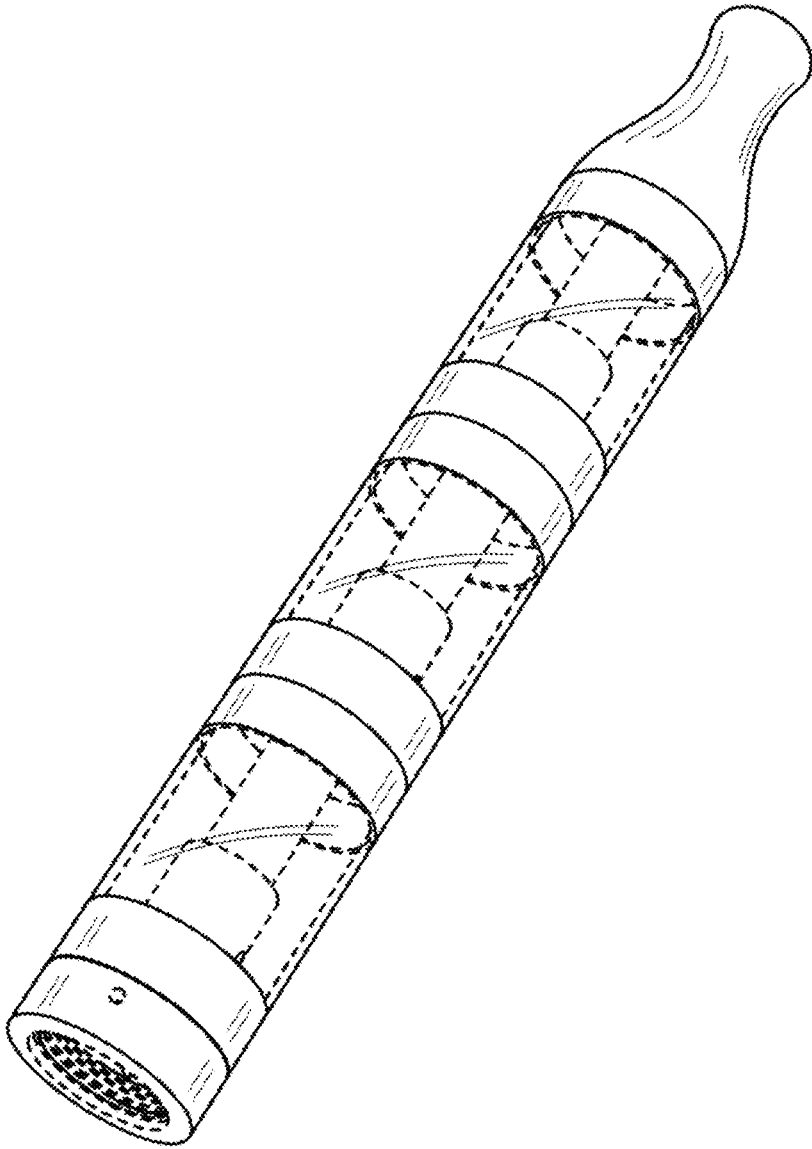


Fig. 6

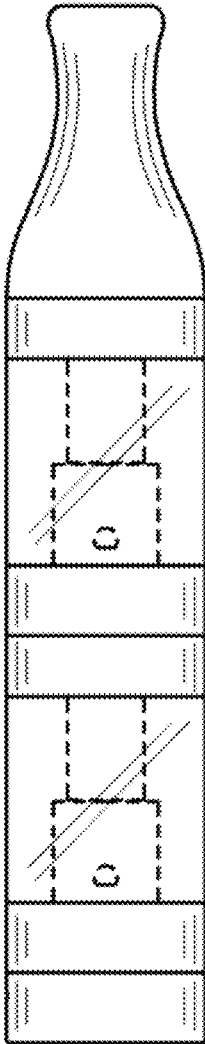


Fig. 7

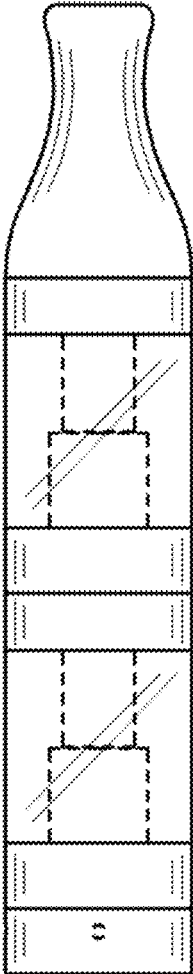


Fig. 8

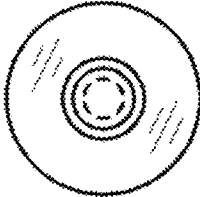


Fig. 9

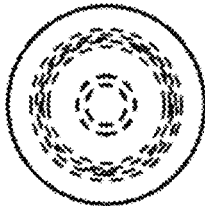


Fig. 10

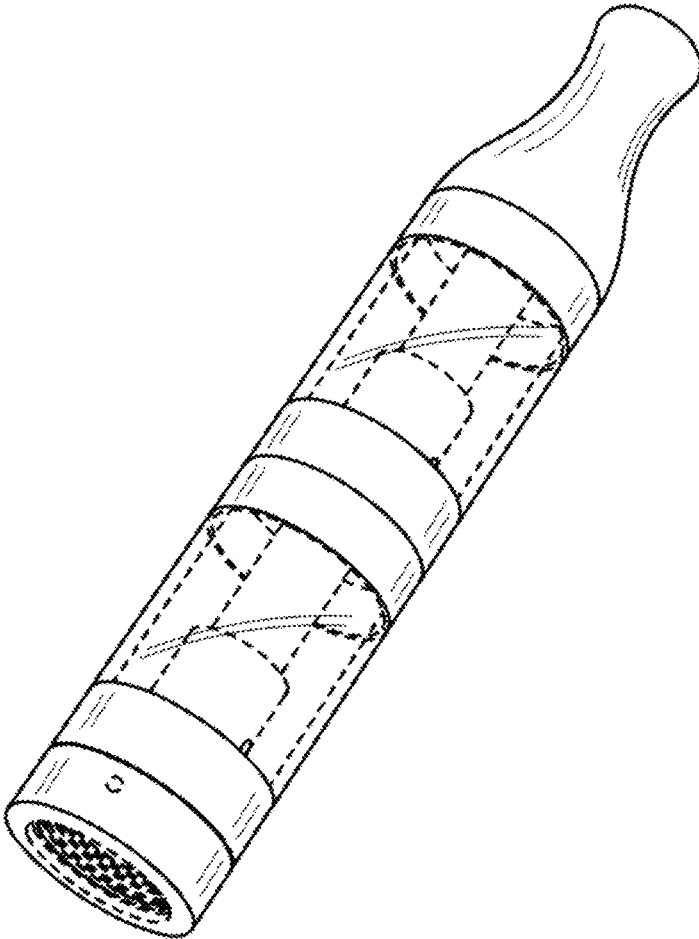


Fig. 11

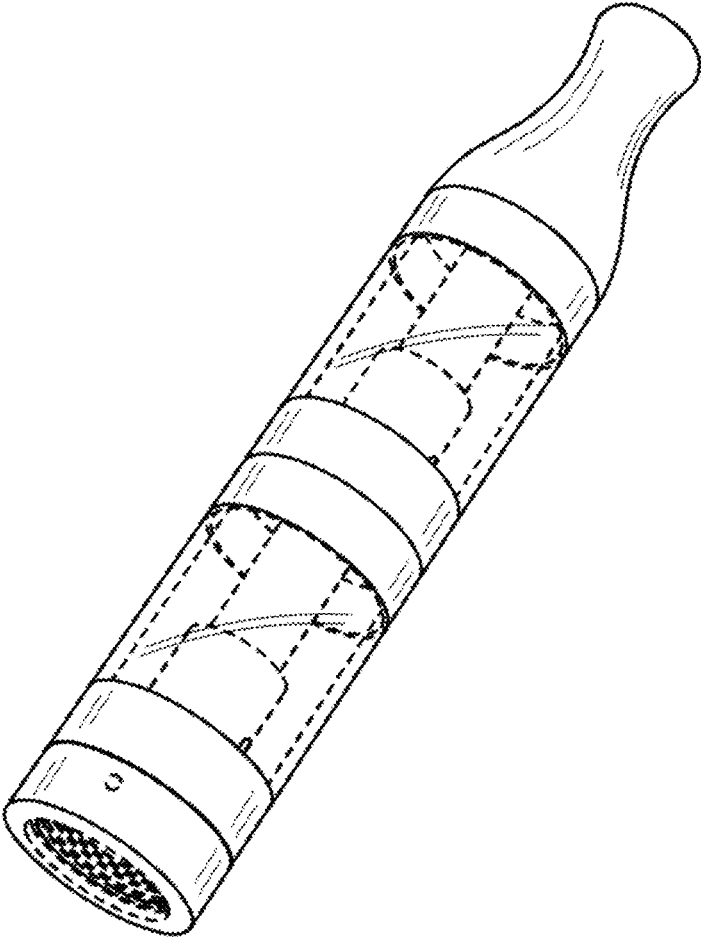


Fig. 12