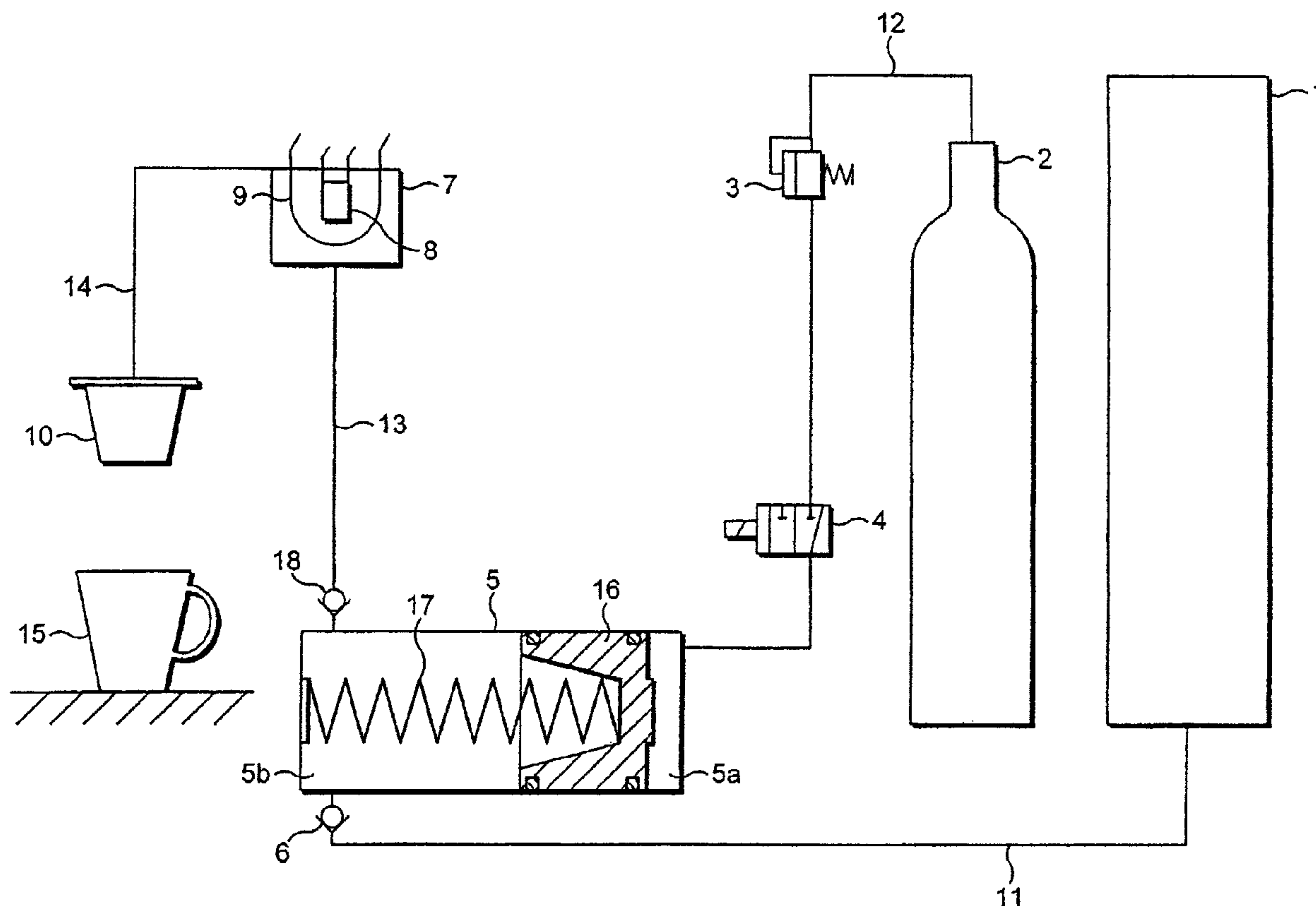




(86) Date de dépôt PCT/PCT Filing Date: 2003/08/05
 (87) Date publication PCT/PCT Publication Date: 2004/02/19
 (45) Date de délivrance/Issue Date: 2010/11/02
 (85) Entrée phase nationale/National Entry: 2005/01/11
 (86) N° demande PCT/PCT Application No.: EP 2003/008634
 (87) N° publication PCT/PCT Publication No.: 2004/014205
 (30) Priorité/Priority: 2002/08/06 (CH2002/1367-2)

(51) Cl.Int./Int.Cl. *A47J 31/40* (2006.01)
 (72) Inventeurs/Inventors:
 HUG, KARL, CH;
 DENISART, JEAN-LUC, CH;
 DENISART, JEAN-PAUL, CH
 (73) Propriétaire/Owner:
 NESTEC S.A., CH
 (74) Agent: BORDEN LADNER GERVAIS LLP

(54) Titre : DISPOSITIF POUR LA PREPARATION D'UNE BOISSON
 (54) Title: DEVICE FOR PREPARING A BEVERAGE



(57) Abrégé/Abstract:

The invention relates to a device for preparing a beverage, comprising: - a water reservoir (1); - a chamber (5) that is connected to said reservoir for delivering water; - means (17) for filling said chamber with water; - means (16) for emptying water from the chamber; - a compressed gas reservoir (2) with a three-way valve (4) for displacing said means so as to empty the chamber; and - a conduit (14) for conveying the water from the chamber to an extraction head.

Abstract

The invention relates to a device for preparing a beverage, comprising: - a water reservoir (1); - a chamber (5) that is connected to said reservoir for delivering water; - means (17) for filling said chamber with water; - means (16) for emptying water from the chamber; - a compressed gas reservoir (2) with a three-way valve (4) for displacing said means so as to empty the chamber; and - a conduit (14) for conveying the water from the chamber to an extraction head.

Device for preparing a beverage

The present invention relates to a device for preparing a beverage, said device having no pump.

5

In the technical field, there are already pump-less coffee machines for preparing beverages. Patent application WO 99/02081 relates to a system of this type for preparing a beverage from a displaceable cart. This system is based on the principle that the displacement of hot water is generated by means of a compressed-gas cylinder. The drawback of this device is that it is heavy and expensive. Furthermore, in this device, the water and the pressurized-gas are in permanent contact, which leads to the gas diffusing into the water and producing sparkling water. This has an adverse effect on the taste of the beverage, in this instance on the coffee extracted.

20 An object of the present invention is to provide the consumer with a relatively lightweight, inexpensive device for preparing cups of coffee or other beverages with well-defined volumes, without adverse effects on taste.

25

The present invention relates to a device for preparing a beverage, comprising:

- a water reservoir;
 - a chamber connected to said reservoir for delivering water;
 - means for filling said chamber with water;
 - means for emptying water from said chamber;
 - a compressed-gas reservoir with a three-way valve for displacing said means so as to empty said chamber;
- 35 and
- a conduit conveying the water from said chamber to above an extraction head.

CONFIRMATION COPY

"Extraction head" is understood to mean, in the present description, any system based either on the dissolution of a material, or based on extraction, for example of tea, coffee and other substances. In the case of
5 extraction, use is made of capsules, for example open capsules of the filter-paper-capsule type, or, also, of capsules forming the subject of patents in the name of the applicant, specifically EP 512 148 and EP 602 203. The capsules may contain any type of soluble or
10 extractable food product, for example roasted, ground coffee, soluble coffee, soluble cocoa, tea, dried substances for bouillons, or the like.

The chamber for delivering water has a volume of
15 between 10 and 1000 cc, preferably between 50 and 150 cc. The volume of the chamber is considered relative to the volume of the cupful to be prepared for the consumer.

20 The means for emptying water from the chamber are means using the pressure of the gas in order to empty said chamber. These means are preferably hydraulic means. As hydraulic means, use is preferably made of a piston displaced by compressed gas.

25 The means for filling said chamber with water are gravitation means or mechanical means. "Gravitation means" is understood to mean simply that the water fills the chamber under its own weight and pushes the
30 piston, for example, back up. "Mechanical means" is understood to mean either a spring, or a motor or a manual means.

The compressed gas is chosen from the group consisting
35 of air, CO₂ or nitrogen monoxide.

The water reservoir is a thermally-insulated hot-water reservoir. Provision may also be made in one embodiment

- 3 -

for a heating system to surround the chamber. It is also possible to make provision for a heating system between the chamber and the extraction head.

- 5 The shape of the chamber is not of critical importance. Preferably, the chamber has a substantially cylindrical shape.

A further advantage of the device according to the
10 invention is that it is virtually silent.

The remainder of the description is given with reference to the drawings, in which:

- 15 Fig. 1 is a representation of the device in a first embodiment;
Figs 2 to 5 are diagrammatic representations of the device in a second embodiment; and
Fig. 6 is a diagrammatic representation according to a
20 third embodiment.

The device comprises a water reservoir (1), a chamber (5) connected to said reservoir via the conduit (11), a heating system (7), a compressed-gas reservoir (2) and
25 an extraction head (10). The chamber (5) comprises a piston (16) moved by a spring (17). The chamber (5) has a side (5a) for delivering compressed gas and a side (5b) for the entry of water. The compressed-gas reservoir (2) is connected via the conduit (12) to the
30 side (5a) and said conduit comprises a purge (3) and a valve (4). The non-return valve (6) prevents any reflux of water from the chamber (5). The conduit (13) leads to the heating system, which comprises a thermostat (8) and a heating body (9). The conduit (4) leads to the
35 extraction head.

The device operates as follows:

- 4 -

When the consumer wishes to make himself a coffee, the valve (4) is opened and placed in communication with the ambient air. As the side (5a) empties of air, the spring (17) relaxes and draws water from the water reservoir (1) to the side (5b). When the side (5b) is full, the valve (4) is placed in a position in which there is a link to the compressed-gas reservoir (2): the gas expands by virtue of (3) and displaces the piston (16) so as to displace the mass of water in the side (5b). The water passes via the non-return valve (18) into the heating system (7) and via the extraction head (10). The coffee is delivered to the cup (15). The machine is then ready for the next extraction.

15 The device in Figures 2 to 5 comprises a thermally-insulated hot-water reservoir (20), a chamber (29) connected to said reservoir via the conduit (21) that comprises a non-return valve (22), a compressed-gas reservoir (23), with expander (24), connected to the chamber (29) via the conduit (28). The three-way valve (27) allows the compressed gas to be introduced into the chamber (29) or connection to the outside pressure. The chamber (29) comprises a piston (30) with the latter's rod (31), and a valve release (35). The mechanical trigger (32) immobilizes the piston in a position in which the spring (33) is compressed. After the exit from the chamber (29) there is the capsule (26) to be extracted arranged in the cartridge holder (25).

30

The device operates as follows:

When the consumer wishes to make himself a coffee, he disengages the trigger (32) in the direction of the arrow B, which allows the spring (33) to relax (Fig. 3). The piston (30) rises in the direction of the arrow A. The air present at (37) exits in the direction of the arrow C in the conduit (28) and is evacuated via

35

- 5 -

the valve (27) to the outside (arrow E). The water in the reservoir (20) is drawn through the valve (22) at (38). When the piston (30) rises, the valve release (35) pushes the rod (34) of the valve in the direction of the arrow F until there is no longer any air at (37) and a maximum volume is achieved for (38). At this point, the valve (27) rocks in order to allow the compressed gas to enter via the release (24) through the conduit (28) in order to push the piston (30). The volume of hot water at (38) opens the valve (36), arrives at the capsule (26) and the coffee flows into the cup (40). During extraction, the piston draws the rod (34) downward in the direction of the arrow G. At the end of the piston's travel (Fig. 5), the valve (27) restores atmospheric pressure in the volume (37) and the trigger (32) again immobilizes the piston with the compressed spring (33). The machine is then ready for a further extraction. Provision may be made for a reservoir (20) having a volume of the order of 1 or 2 litres. The compressed-gas reservoir (23) normally has a volume of the order of ... L. The volume (38) corresponds to a cup volume of the order of 100 cc.

In the embodiment of Figure 6, instead of hot water being provided, provision is made for a reservoir (41) containing cold water and a heating body (42). There is still a chamber (49) with a piston (47), a piston rod (46), a spring (45), a capsule (44) and a cartridge holder (43).

Operation is the same as previously, except that the heating body (42) will heat the cold water arriving via the conduit (50) through the valve (48) and arriving in the chamber (49). When the piston is in the high position, the compressed air (not shown) pushes the cold water into the conduit (51) through the valve (52) over the capsule (44). The coffee is recovered in a cup placed below.

- 6 -

CLAIMS:

1. Device for preparing a beverage comprising:
 - a water reservoir;
 - 5 a chamber connected to said reservoir for the inflow of water;
 - means for emptying water from said chamber comprising a piston with a rod in the chamber;
 - means for filling said chamber with water comprising a
 - 10 spring that slackens in order to retract the piston in the chamber;
 - a compressed gas reservoir with a valve for compressing the piston in the chamber for emptying said chamber; and
 - a pipe bringing water from said chamber on an extraction
 - 15 head;
 - wherein the valve is a three-way valve configured so as to take up a first position in order to connect the chamber to outside pressure and a second position that allows gas to be introduced into the chamber the valve is moved from the first
 - 20 to the second position according to the state of slackening of the spring.
2. Device according to claim 1, wherein the chamber for the inflow of water has a volume of between 10 and 1000 cc.
- 25 3. Device according to claim 2, wherein the chamber for the inflow of water has a volume of between 50 and 150 cc.
4. Device according to any one of claims 1 to 3, wherein the
- 30 means for emptying water from the chamber uses gas pressure to empty said chamber.
5. Device according to any one of claims 1 to 4, wherein the
- 35 means for filling said chamber with water is a gravitational means or a mechanical means.

- 7 -

6. Device according to claim 5, wherein the gas is air, CO₂ or nitrous oxide.
- 5 7. Device according to any one of claims 1 to 6, wherein the extraction head is a head for capsules predosed into a filter paper or closed capsules.
- 10 8. Device according to any one of claims 1 to 7, wherein the water reservoir is a thermally insulated hot water reservoir.
9. Device according to any one of claims 1 to 7, further comprising a heating system surrounding the chamber.
- 15 10. Device according to any one of claims 1 to 7, further comprising a heating system between the chamber and the extraction head.
- 20 11. Device according to any one of claims 1 to 10, wherein the chamber has a substantially cylindrical shape.

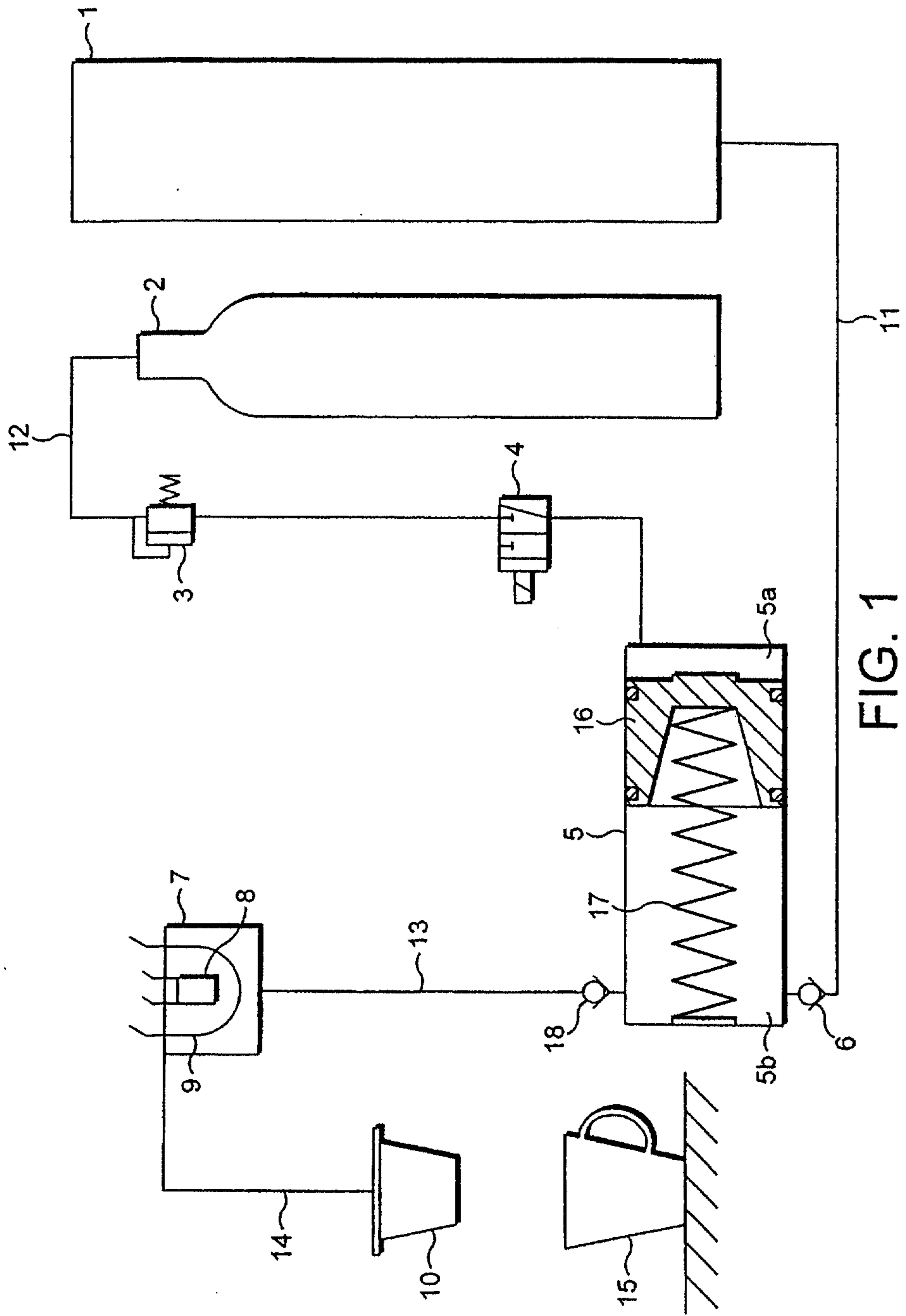


FIG. 1

2/4

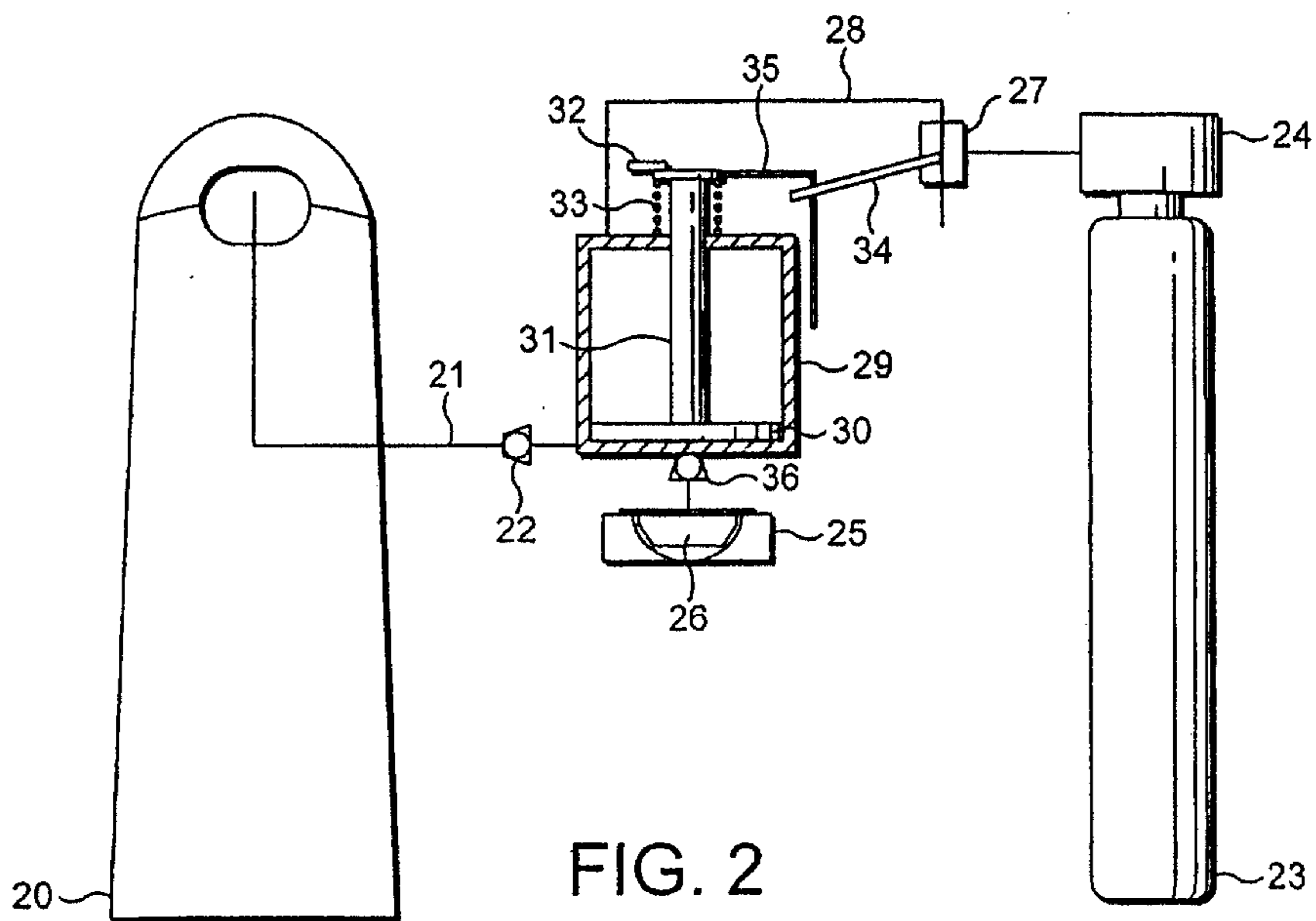


FIG. 2

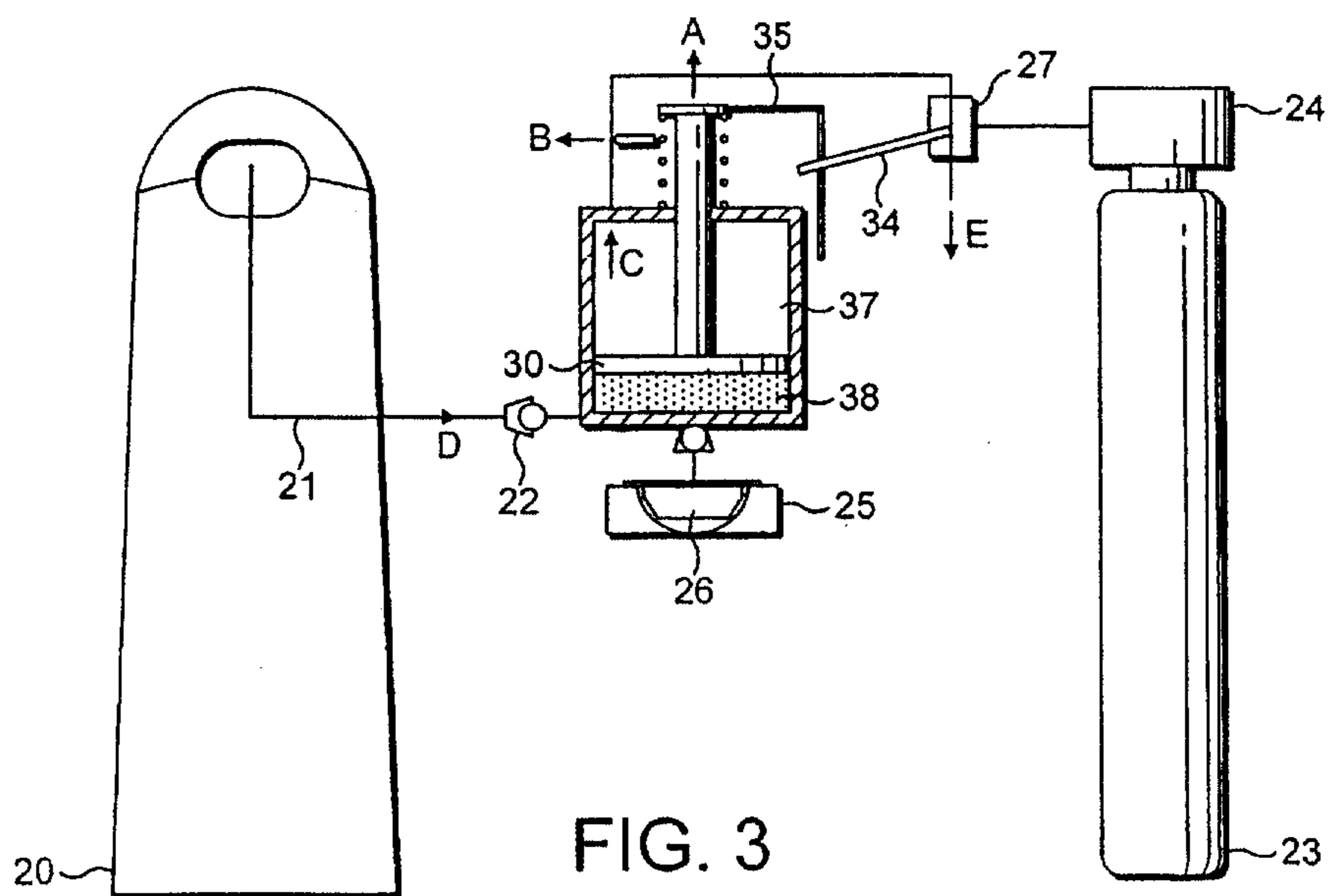


FIG. 3

3/4

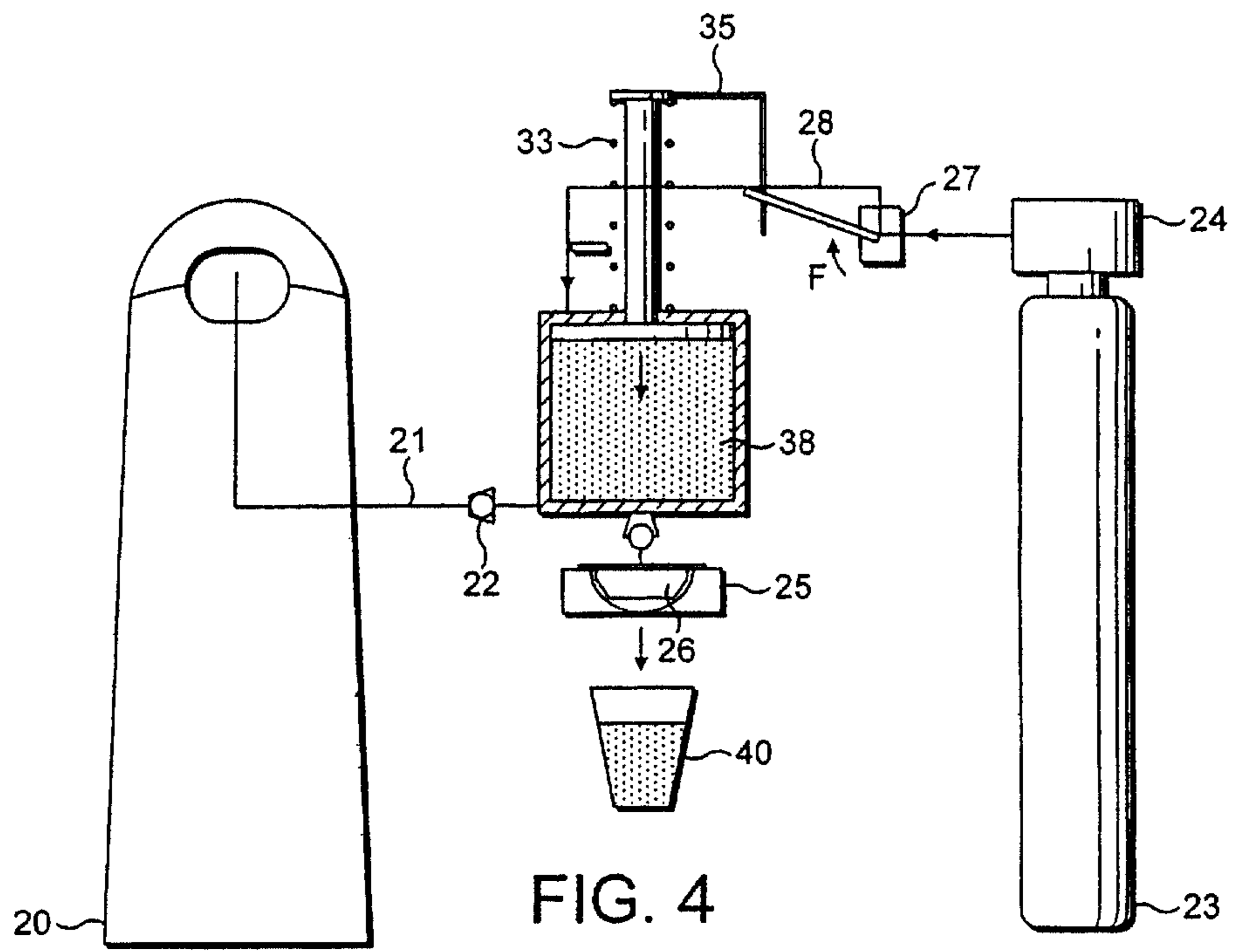


FIG. 4

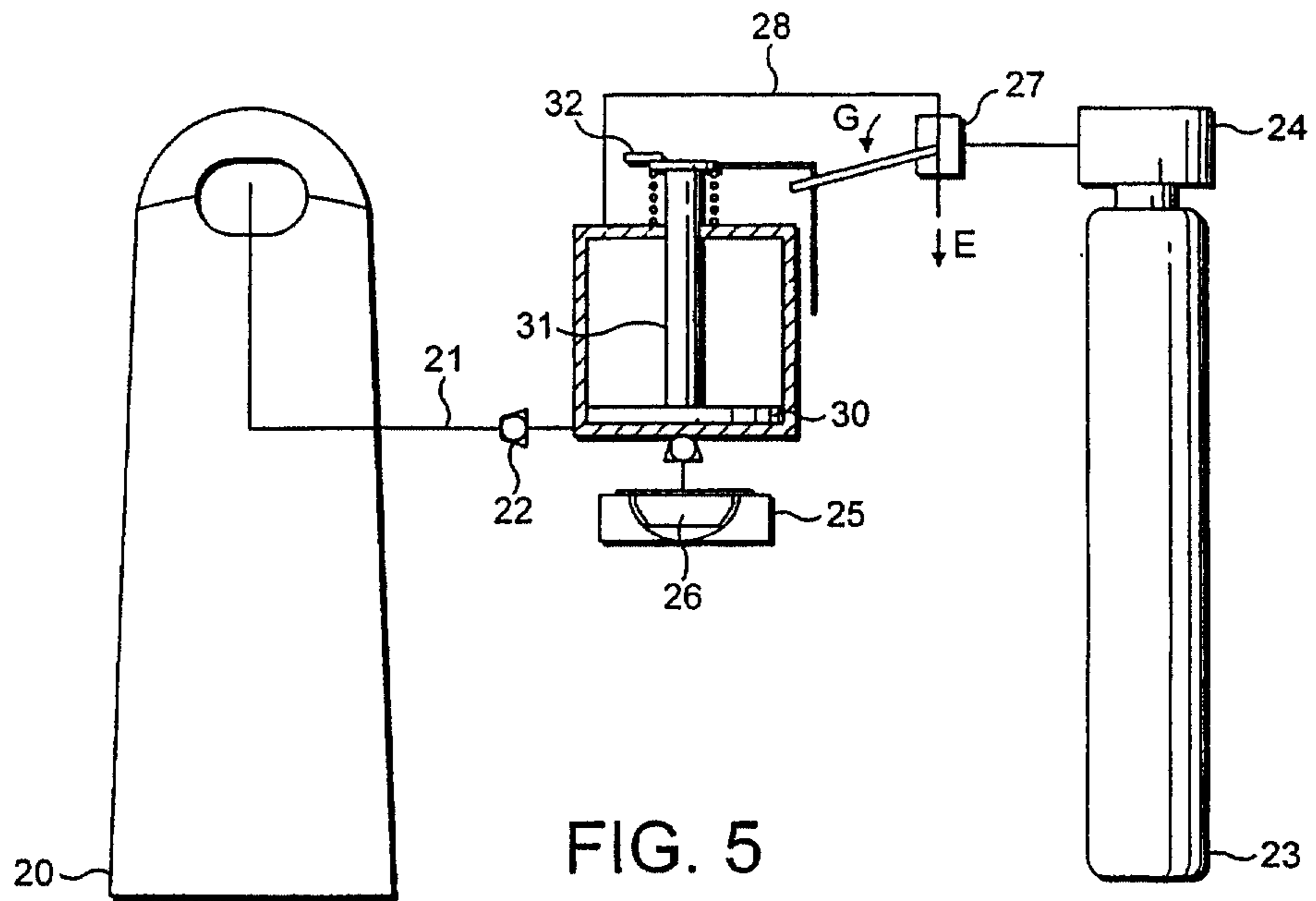


FIG. 5

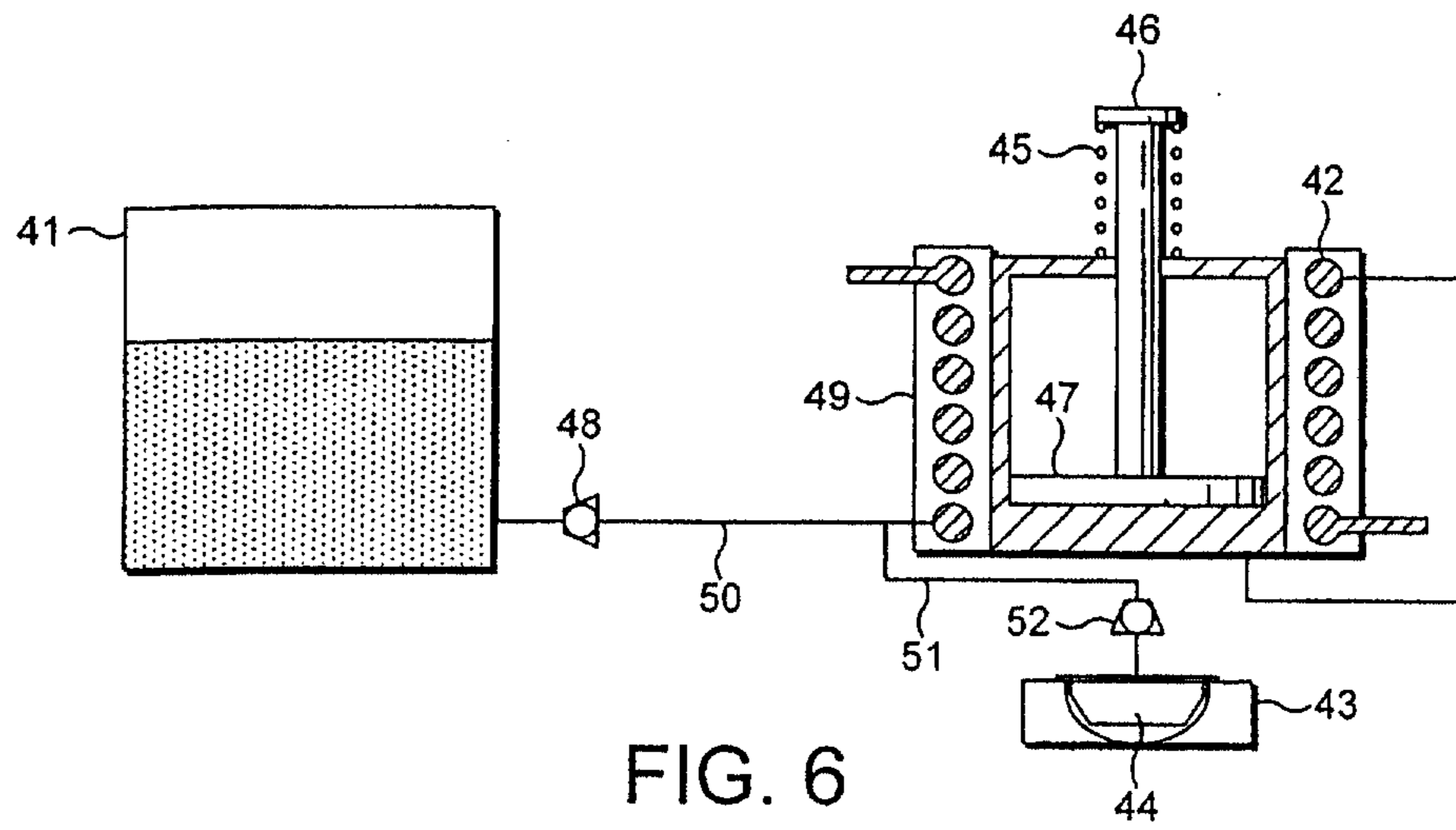


FIG. 6

