



US00D735844S

(12) **United States Design Patent**  
**Potter**

(10) **Patent No.:** **US D735,844 S**

(45) **Date of Patent:** **\*\* Aug. 4, 2015**

(54) **FUEL BURNER CONTAINER**

D548,371 S \* 8/2007 Kleist et al. .... D26/8  
D676,160 S \* 2/2013 Stephens ..... D26/8  
8,708,515 B2\* 4/2014 White ..... 362/157

(71) Applicant: **Stephen Potter**, San Francisco, CA (US)

\* cited by examiner

(72) Inventor: **Stephen Potter**, San Francisco, CA (US)

*Primary Examiner* — T. Chase Nelson

*Assistant Examiner* — Ania Aman

(\*\*) Term: **14 Years**

(74) *Attorney, Agent, or Firm* — QuickPatents; Kevin Prince

(21) Appl. No.: **29/482,460**

(57) **CLAIM**

I claim the ornamental design for a fuel burner container, as shown and described.

(22) Filed: **Feb. 18, 2014**

**DESCRIPTION**

(51) **LOC (10) CI.** ..... **23-03**

(52) **U.S. CI.**

USPC ..... **D23/338**; D26/8

(58) **Field of Classification Search**

USPC ..... D26/8-23; 431/320, 343, 350, 146,  
431/345; D23/338

See application file for complete search history.

FIG. 1 is a perspective view of a fuel burner container, showing my new design as seen in-use with a fuel burner and cap; FIG. 2 is a perspective view thereof, illustrated without the fuel burner and cap;

FIG. 3 is a front elevational view of FIG. 2;

FIG. 4 is a rear elevational view of FIG. 2;

FIG. 5 is a left-side elevational view of FIG. 2, the right-side elevational view being a mirror image thereof;

FIG. 6 is a top plan view of FIG. 2; and,

FIG. 7 is a bottom plan view of FIG. 2.

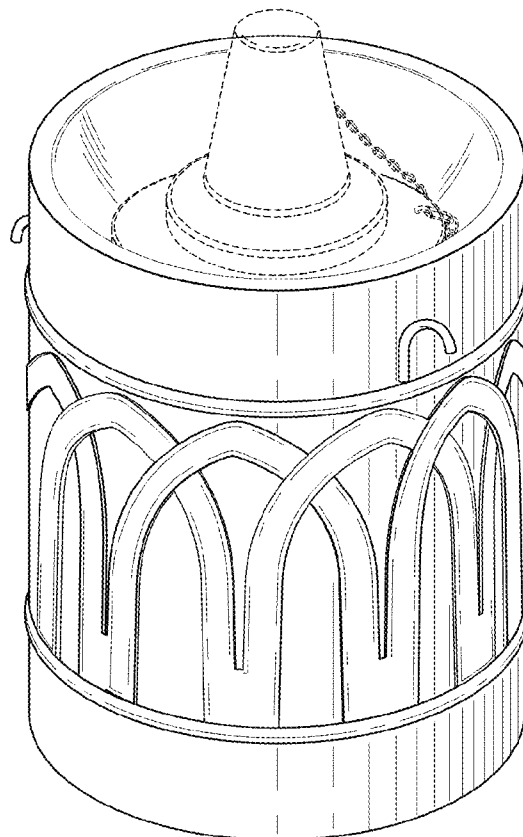
The broken lines showing a fuel burner and cap in FIG. 1 and bottom features in FIGS. 6 and 7 depict environmental matter and form no part of the claimed design.

(56) **References Cited**

U.S. PATENT DOCUMENTS

5,205,730 A \* 4/1993 Capdeville ..... 431/320  
D455,849 S \* 4/2002 Yeh ..... D26/8  
D456,917 S \* 5/2002 Kumar ..... D26/8  
D487,522 S \* 3/2004 Lu ..... D26/8  
D487,808 S \* 3/2004 Lu ..... D26/8

**1 Claim, 3 Drawing Sheets**



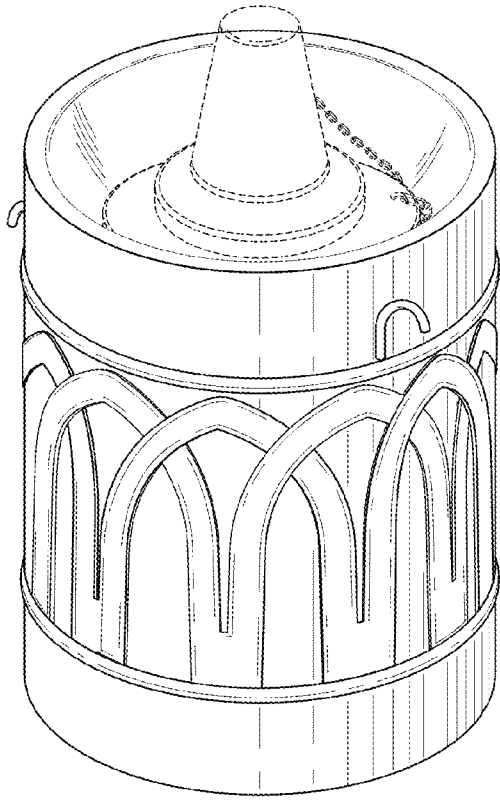


FIG. 1

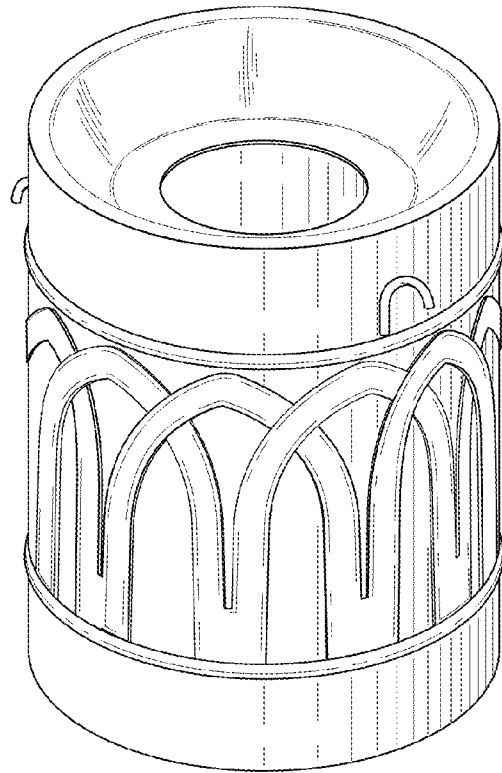


FIG. 2

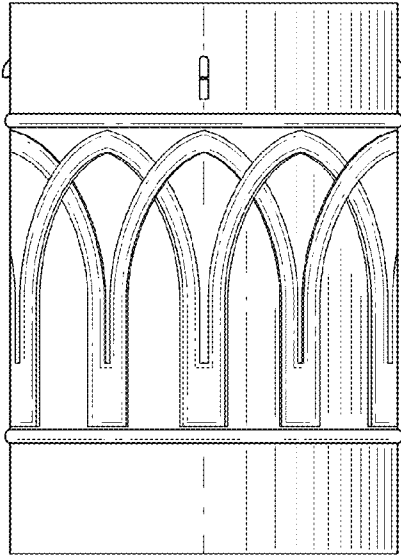


FIG. 3

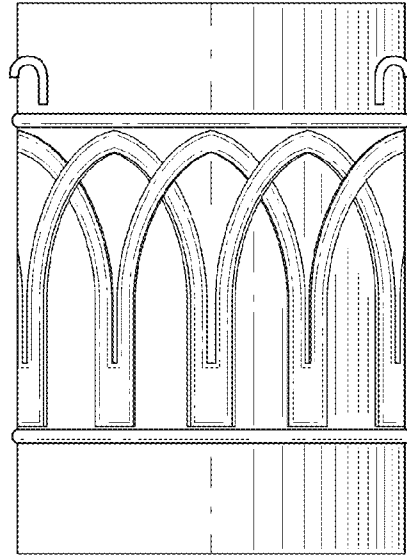


FIG. 4

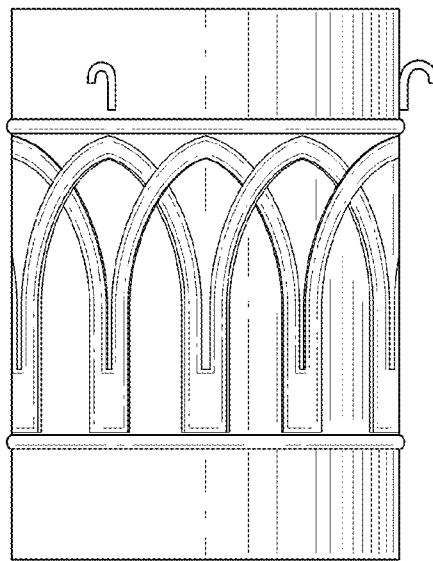


FIG. 5

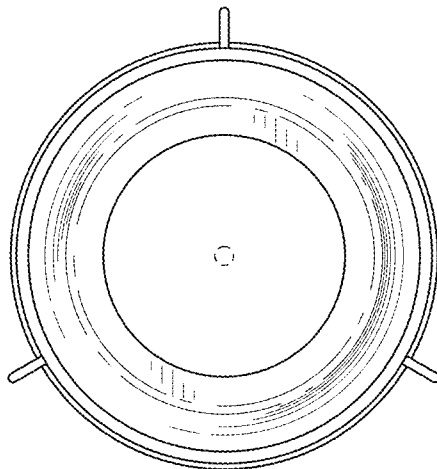


FIG. 6

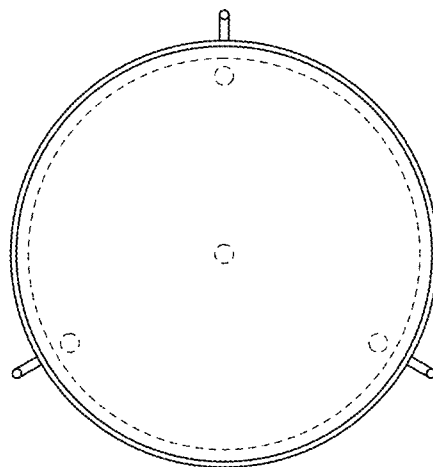


FIG. 7