



US00D722157S

(12) **United States Design Patent**  
**Wiegel et al.**

(10) **Patent No.:** **US D722,157 S**  
(45) **Date of Patent:** **\*\* Feb. 3, 2015**

(54) **CANNULA CONNECTOR**

(75) Inventors: **Heinz Wiegel**, Alheim (DE); **Iris Blum**,  
Fuldabrueck (DE); **Martin Sippel**,  
Melsungen (DE); **Helmut Freigang**,  
Koerle (DE); **Benjamin Olson**,  
Fuldabrueck (DE); **Thilo Hogebe**,  
Hamburg (DE); **Fred Held**, Hamburg  
(DE)

(73) Assignee: **B. Braun Melsungen AB**, Melsungen  
(DE)

(\*\*) Term: **14 Years**

(21) Appl. No.: **29/426,670**

(22) Filed: **Jul. 9, 2012**

(30) **Foreign Application Priority Data**

Jan. 9, 2012 (EM) ..... 00197282900010003

(51) **LOC (10) Cl.** ..... **24-02**

(52) **U.S. Cl.**  
USPC ..... **D24/112**

(58) **Field of Classification Search**  
CPC ..... A61M 39/10; A61M 39/1011; A61M  
2039/1077; A61M 2039/1038  
USPC ..... D24/107, 108, 110, 110.6; 604/19, 48,  
604/93.1, 246, 533, 537, 538, 905  
See application file for complete search history.

(56) **References Cited**

U.S. PATENT DOCUMENTS

D644,731 S *	9/2011	Fangrow, Jr. ....	D24/129
2003/0209681 A1 *	11/2003	Leinsing et al. ....	251/149.1
2005/0165365 A1 *	7/2005	Newton et al. ....	604/246
2007/0043334 A1 *	2/2007	Guala ..... ..	604/533
2007/0224865 A1 *	9/2007	Fangrow ..... ..	439/205
2008/0249508 A1 *	10/2008	Lopez et al. ....	604/533
2010/0036330 A1 *	2/2010	Plishka et al. ....	604/256
2011/0137294 A1 *	6/2011	Calimeri et al. ....	604/533
2013/0150795 A1 *	6/2013	Snow ..... ..	604/174
2013/0338608 A1 *	12/2013	Moorehead et al. ....	604/246

\* cited by examiner

*Primary Examiner* — Deanna L Pratt

*Assistant Examiner* — Ieisha Price

(74) *Attorney, Agent, or Firm* — Ohlandt, Greeley, Ruggiero  
& Perle, LLP

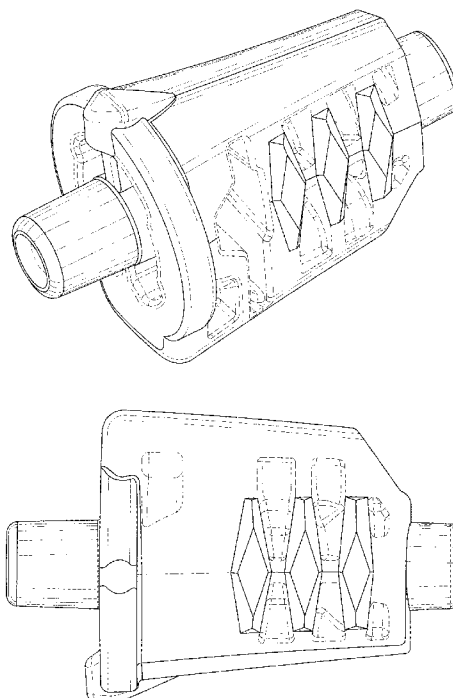
(57) **CLAIM**

The ornamental design for the cannula connector, as shown  
and described.

**DESCRIPTION**

FIG. 1 is a bottom, rear, left-side perspective view of a can-  
nula connector according to the present invention;  
FIG. 2 is a top plan view of the cannula connector of FIG. 1;  
FIG. 3 is a bottom view of the cannula connector of FIG. 1;  
FIG. 4 is a right side view of the cannula connector of FIG. 1;  
FIG. 5 is a left side view of the cannula connector of FIG. 1;  
FIG. 6 is a front plan view of the cannula connector of FIG. 1;  
and,  
FIG. 7 is a rear plan view of the cannula connector of FIG. 1.  
The broken lines in the drawings illustrating portions of the  
cannula connector that form no part of the claimed design.

**1 Claim, 6 Drawing Sheets**



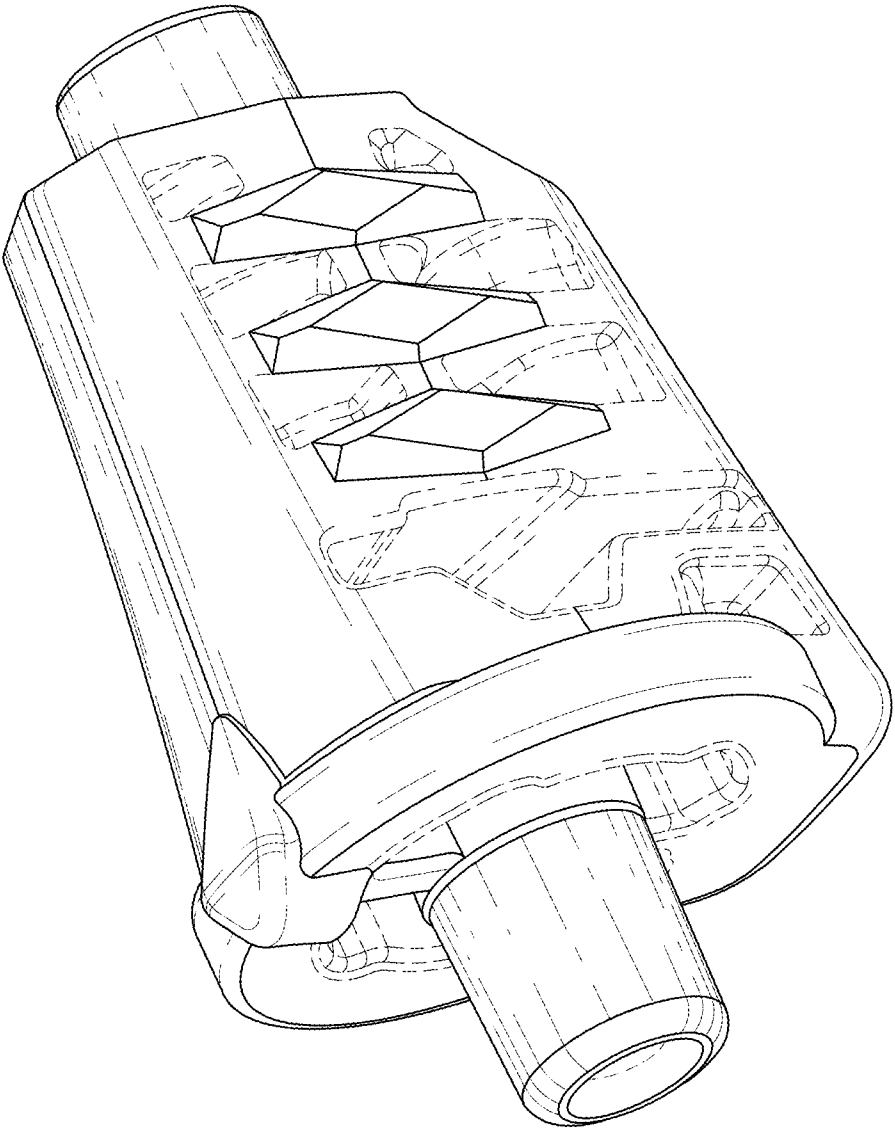


FIG. 1

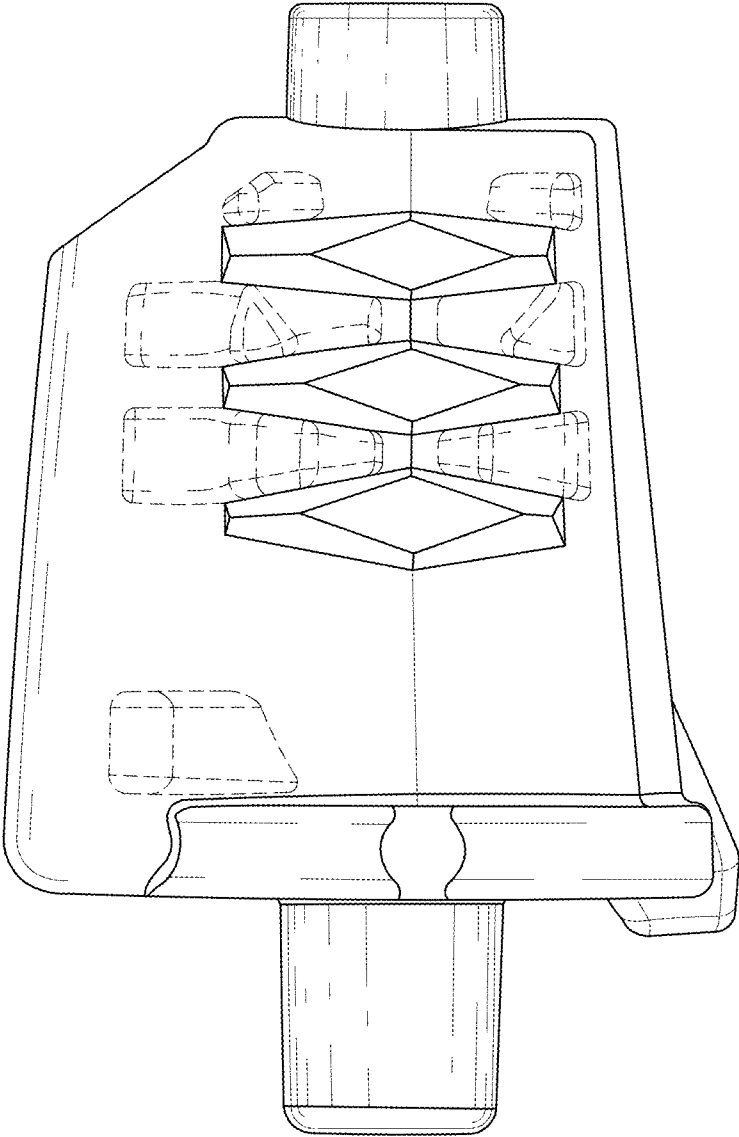


FIG. 2

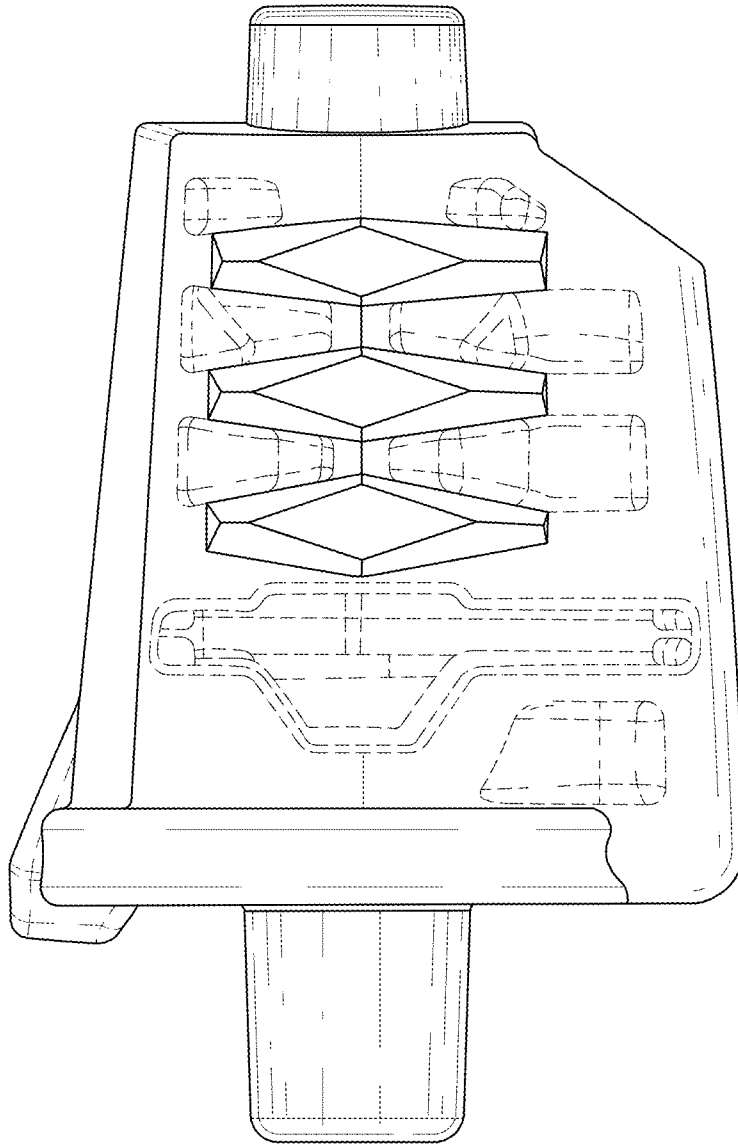


FIG. 3

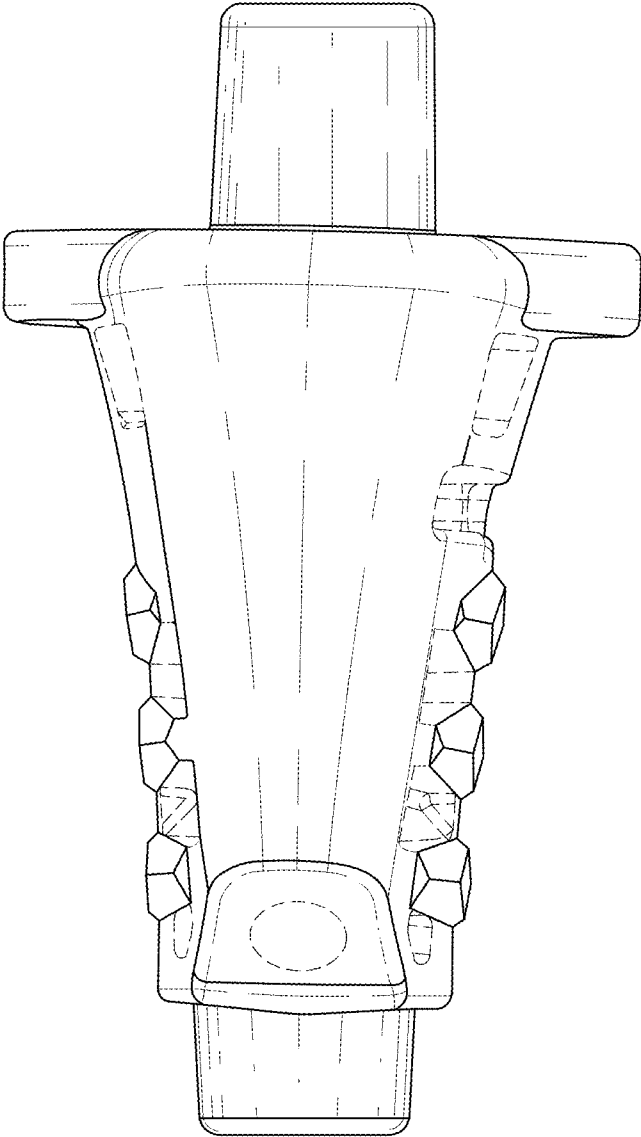


FIG. 4

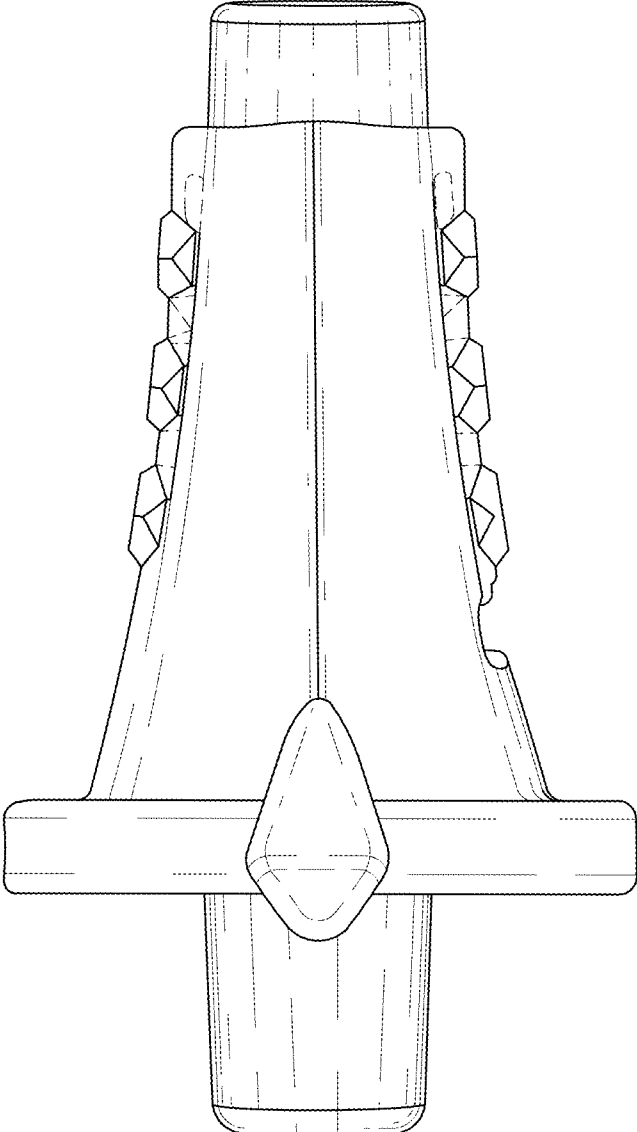


FIG. 5

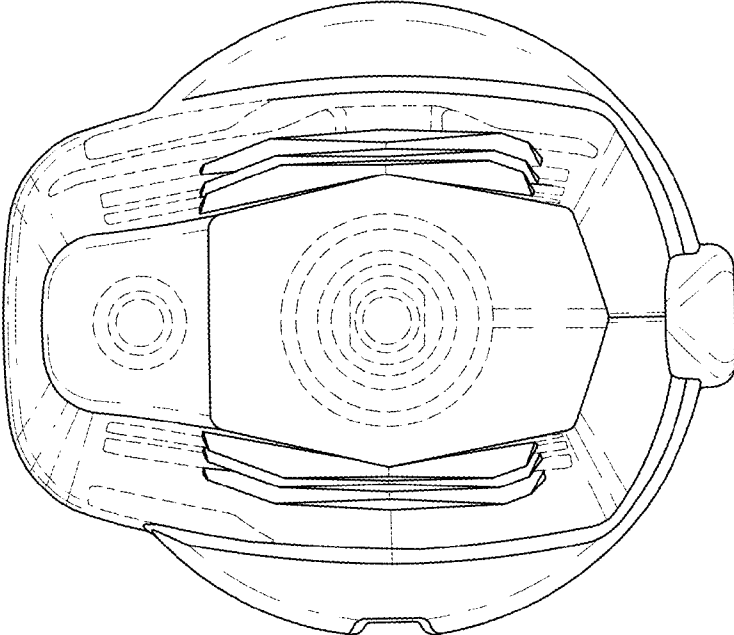


FIG. 6

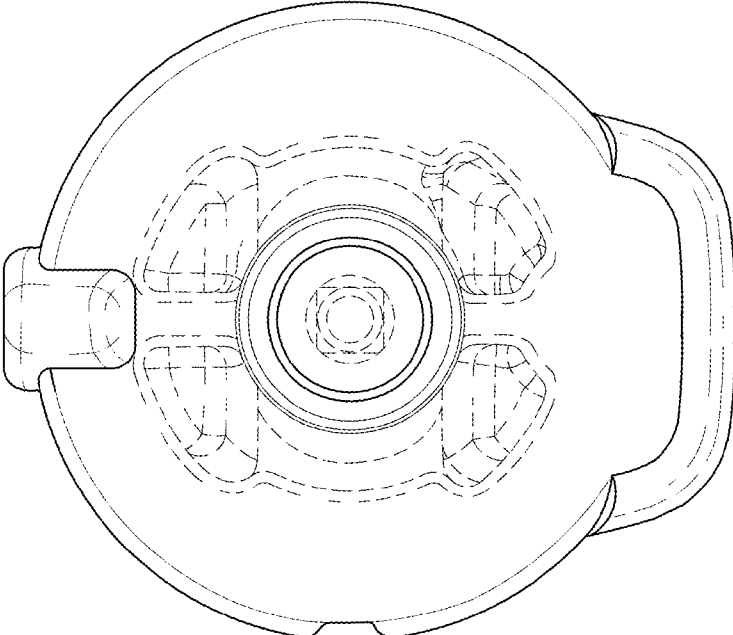


FIG. 7

UNITED STATES PATENT AND TRADEMARK OFFICE  
**CERTIFICATE OF CORRECTION**

PATENT NO. : D722,157 S  
APPLICATION NO. : 29/426670  
DATED : February 3, 2015  
INVENTOR(S) : Wiegel et al.

Page 1 of 1

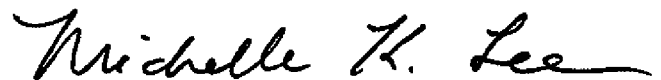
It is certified that error appears in the above-identified patent and that said Letters Patent is hereby corrected as shown below:

Title Page

Under "Assignee":

(73) – please correct: "B. Braun Melsungen AB" to  
"B. Braun Melsungen AG"

Signed and Sealed this  
Eighteenth Day of October, 2016



Michelle K. Lee  
*Director of the United States Patent and Trademark Office*