



US0D1023929S

(12) **United States Design Patent**  
**Yang**

(10) **Patent No.:** **US D1,023,929 S**

(45) **Date of Patent:** **\*\* Apr. 23, 2024**

- (54) **CHARGING BASE FOR HANDLE**
- (71) Applicants: **ESSENCE TECHNOLOGY HOLDINGS (HK) LIMITED**, Hong Kong (CN); **NEXIGHT INC.**, Beaverton, OR (US)
- (72) Inventor: **Dongwei Yang**, Hong Kong (CN)
- (73) Assignees: **ESSENCE TECHNOLOGY HOLDINGS (HK) LIMITED**, Hong Kong (CN); **NEXIGHT INC.**, Beaverton, OR (US)

D958,070	S	*	7/2022	Wen	.....	D14/447
D962,160	S	*	8/2022	Laurent	.....	D13/107
D964,273	S	*	9/2022	Uchida	.....	D13/108
D965,519	S	*	10/2022	Wang	.....	D13/108
D970,495	S	*	11/2022	Wei	.....	D14/447
D971,138	S	*	11/2022	Wu	.....	D21/333
2011/0234154	A1	*	9/2011	Navid	.....	H02J 7/0049 320/108
2022/0386013	A1	*	12/2022	Kelley	.....	H02J 50/005

- (\*\*) Term: **15 Years**
- (21) Appl. No.: **29/815,221**
- (22) Filed: **Nov. 12, 2021**

(30) **Foreign Application Priority Data**

Sep. 24, 2021 (CN) ..... 202130635450.9

(51) **LOC (14) Cl.** ..... **13-02**

(52) **U.S. Cl.**  
USPC ..... **D13/108; D21/333**

(58) **Field of Classification Search**  
USPC ..... D13/103, 107, 108, 118, 119, 183;  
D14/251, 252, 253, 432, 433, 434, 439,  
D14/447; D21/333, 385  
CPC ..... H02J 7/0044; H02J 7/0045; H04B 1/3877  
See application file for complete search history.

(56) **References Cited**

**U.S. PATENT DOCUMENTS**

D721,650	S	*	1/2015	Fauchet	.....	D13/108
D829,650	S	*	10/2018	Buller	.....	D13/108
D850,421	S	*	6/2019	Tong	.....	D14/224
D892,047	S	*	8/2020	Peng	.....	D13/108
10,952,340	B1	*	3/2021	Huang	.....	H05K 5/0234

**OTHER PUBLICATIONS**

“NexiGo Charging Dock”. Found online Apr. 18, 2023 at amazon.com. Reference dated Sep. 16, 2021. Retrieved from <https://www.amazon.com/dp/B09GFMR6D2/>. (Year: 2021).\*

(Continued)

*Primary Examiner* — Kendra Leslie Hamilton  
*Assistant Examiner* — Amanda Christensen

(57) **CLAIM**

The ornamental design for a charging base for handle, as shown and described.

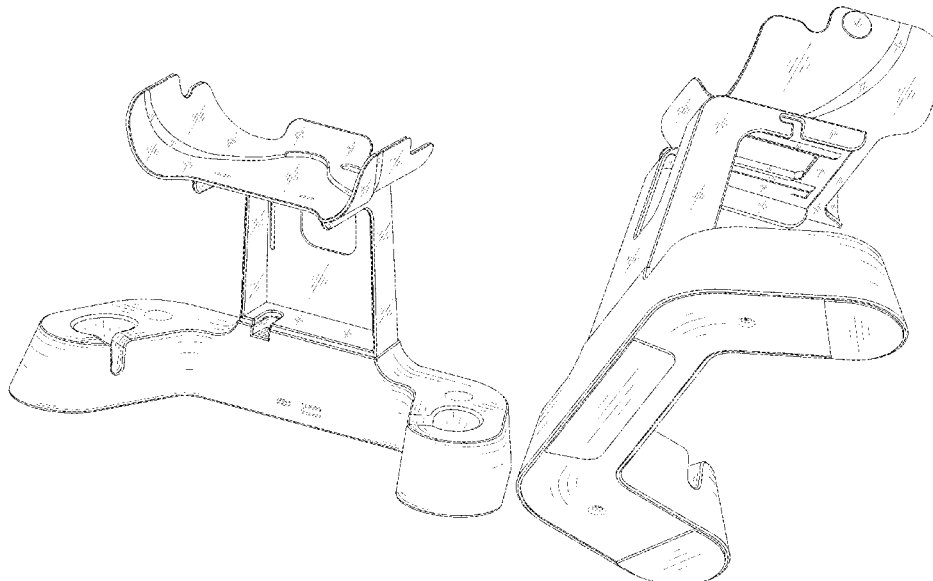
**DESCRIPTION**

FIG. 1 is a perspective view of a charging base for handle according to an embodiment of my design; FIG. 2 is another perspective view thereof; FIG. 3 is a front elevational view thereof; FIG. 4 is a rear elevational view thereof; FIG. 5 is a left side elevational view thereof; FIG. 6 is a right side elevational view thereof; FIG. 7 is a top plan view thereof; and, FIG. 8 is a bottom plan view thereof.

The broken lines in the drawings depict portions of the charging base for handle that form no part of the claimed design.

The oblique shade lines in the drawings show transparency.

**1 Claim, 8 Drawing Sheets**



(56)

**References Cited**

OTHER PUBLICATIONS

“Skywin PSVR Stand”. Found online May 3, 2022 at amazon.com. Reference dated Dec. 6, 2018. Retrieved from <https://www.amazon.com/Skywin-PSVR-Stand-Compatible-Playstation/dp/B07L5XKY24>. (Year: 2018).\*

“RGEEK Charger Dock”. Found online May 3, 2022 at amazon.com. Reference dated Sep. 15, 2020. Retrieved from [https://www.amazon.com/RGEEK-Upgraded-Charger-Charging-Indicator/dp/B097MJZFBN/ref=pd\\_lpo\\_1](https://www.amazon.com/RGEEK-Upgraded-Charger-Charging-Indicator/dp/B097MJZFBN/ref=pd_lpo_1). (Year: 2020).\*

\* cited by examiner

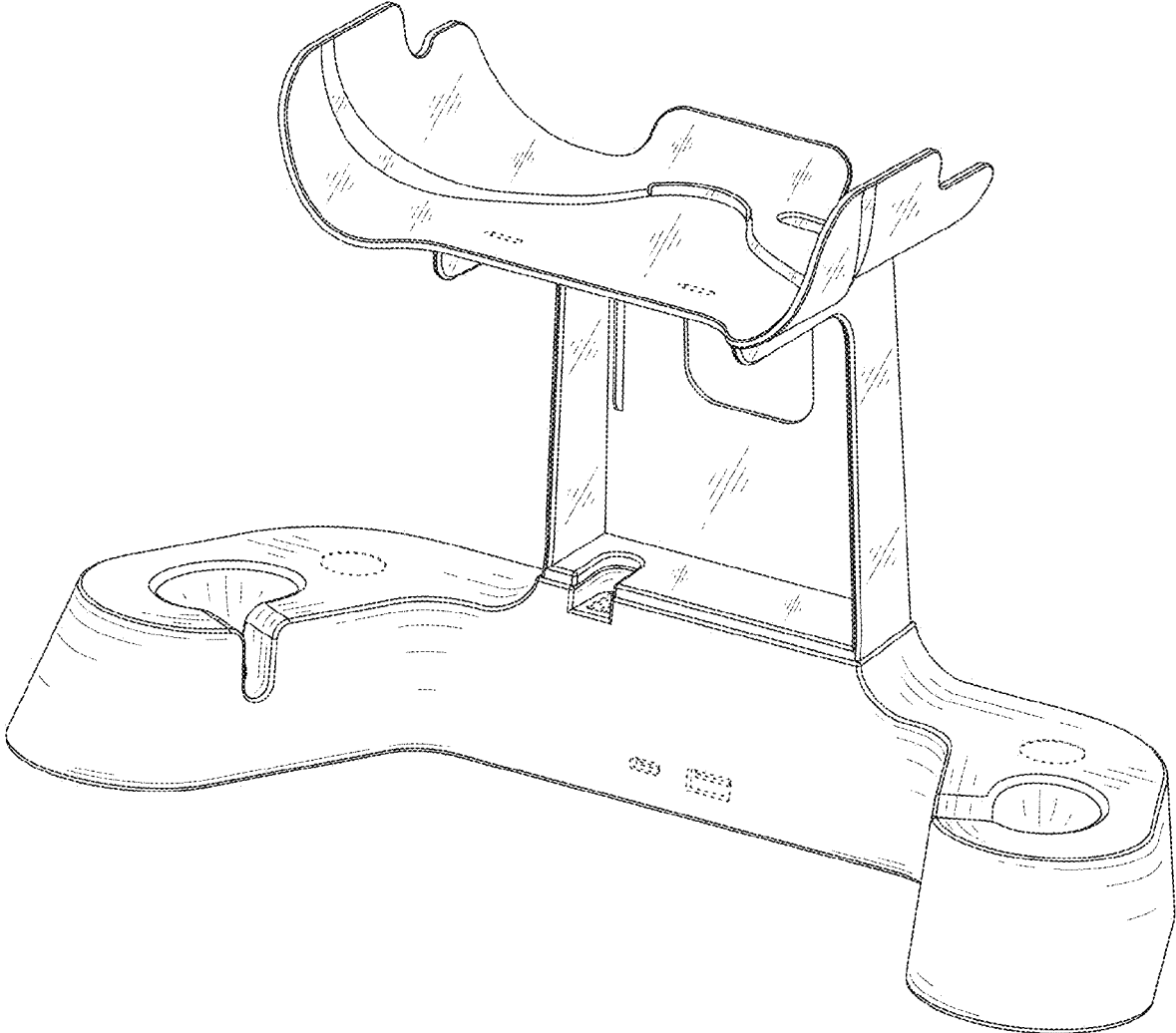


FIG. 1

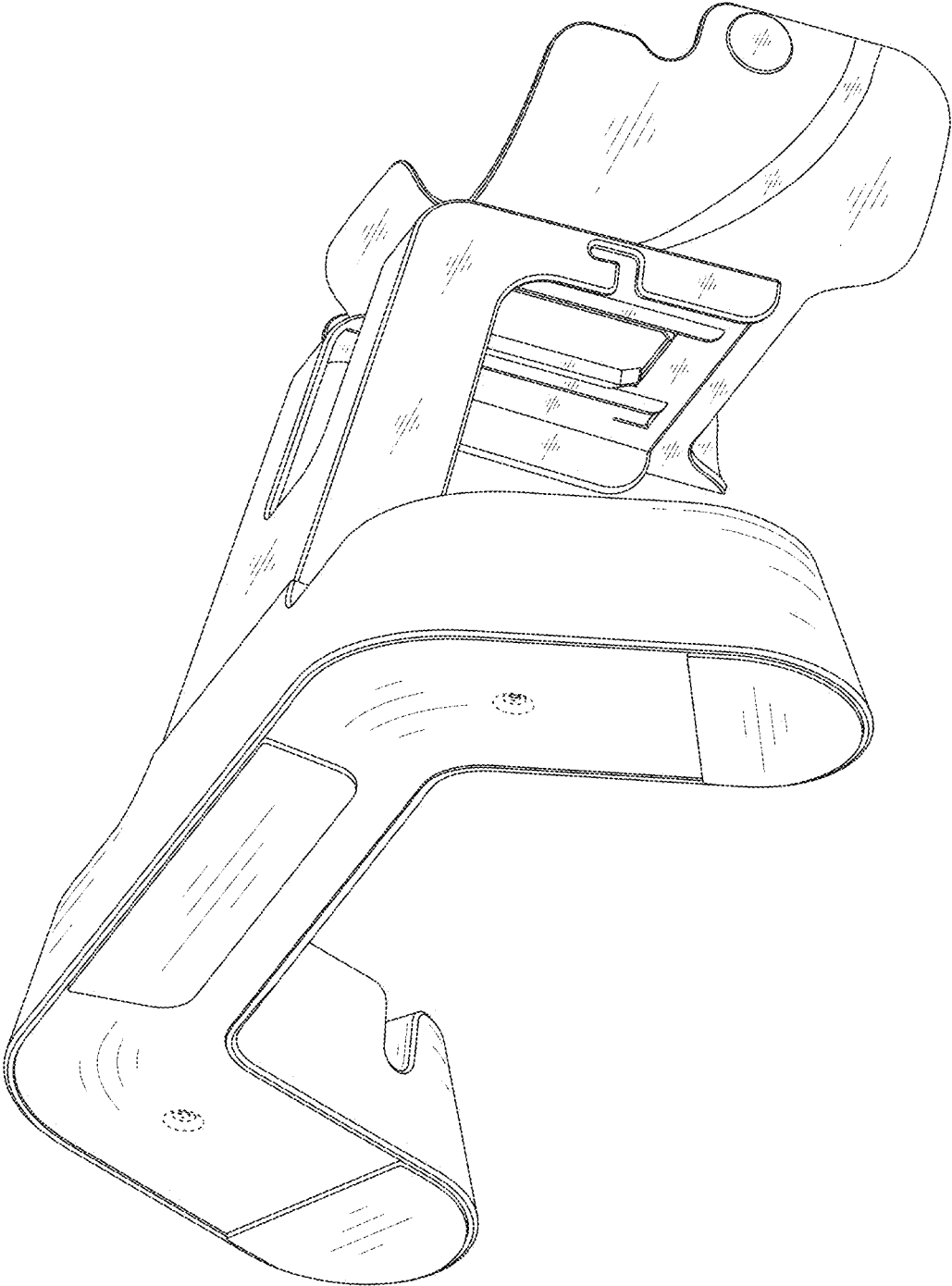


FIG. 2

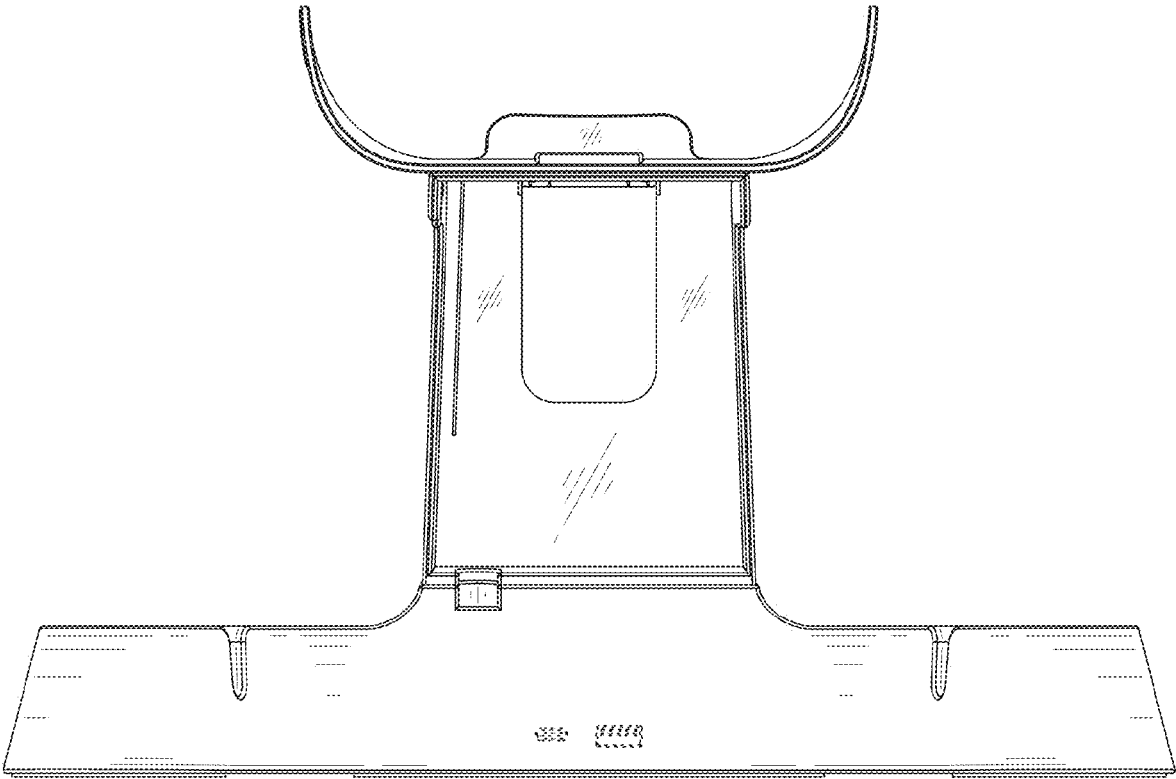


FIG. 3

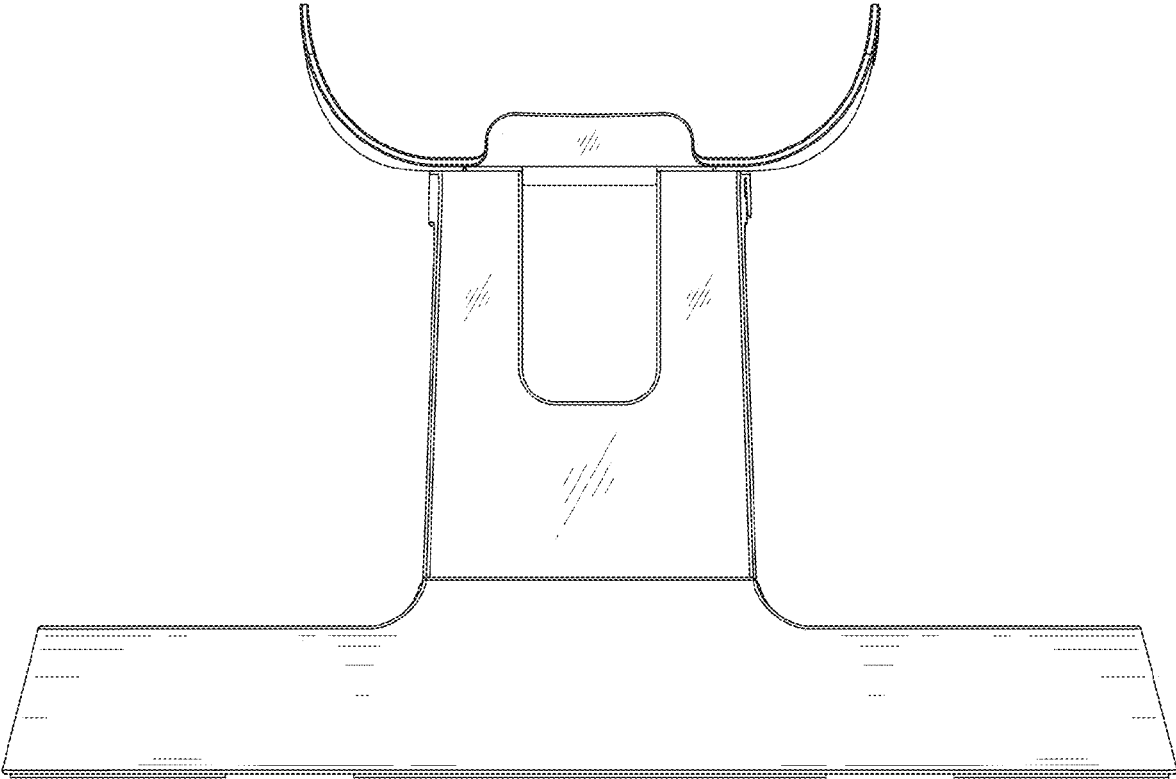


FIG. 4

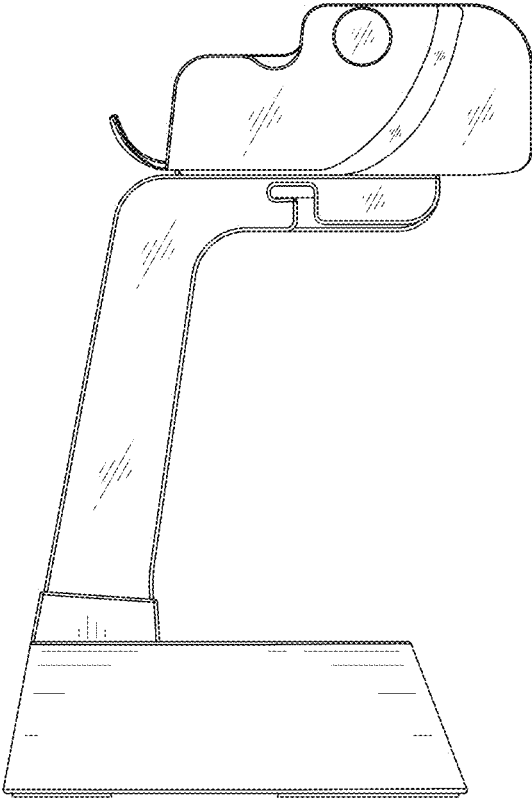


FIG. 5

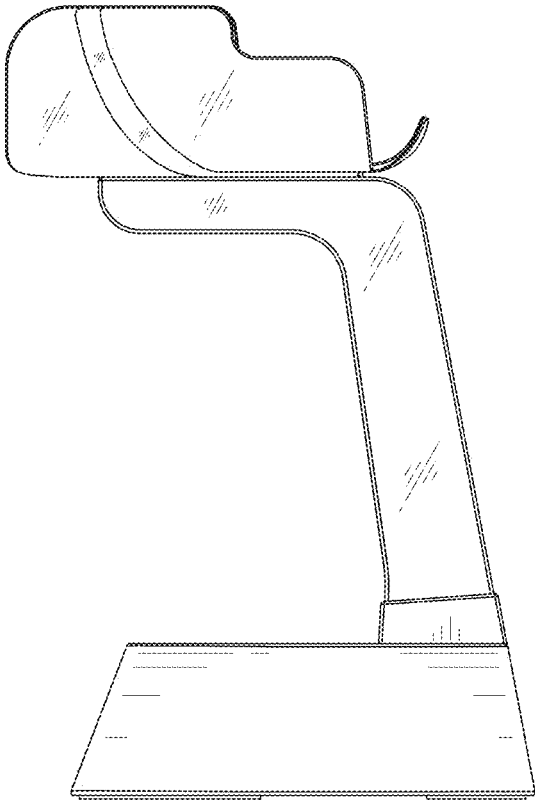


FIG. 6

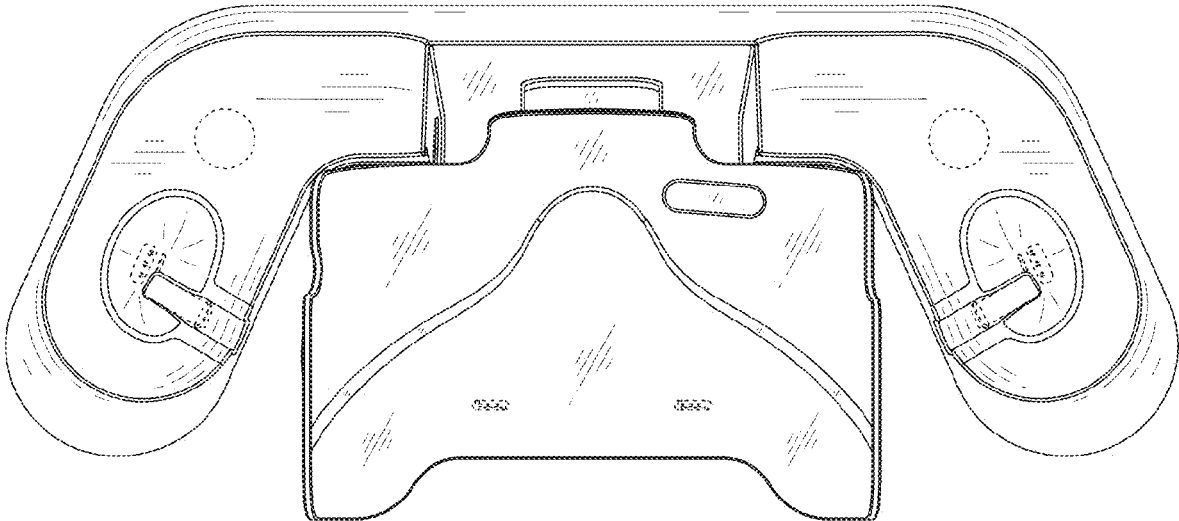


FIG. 7

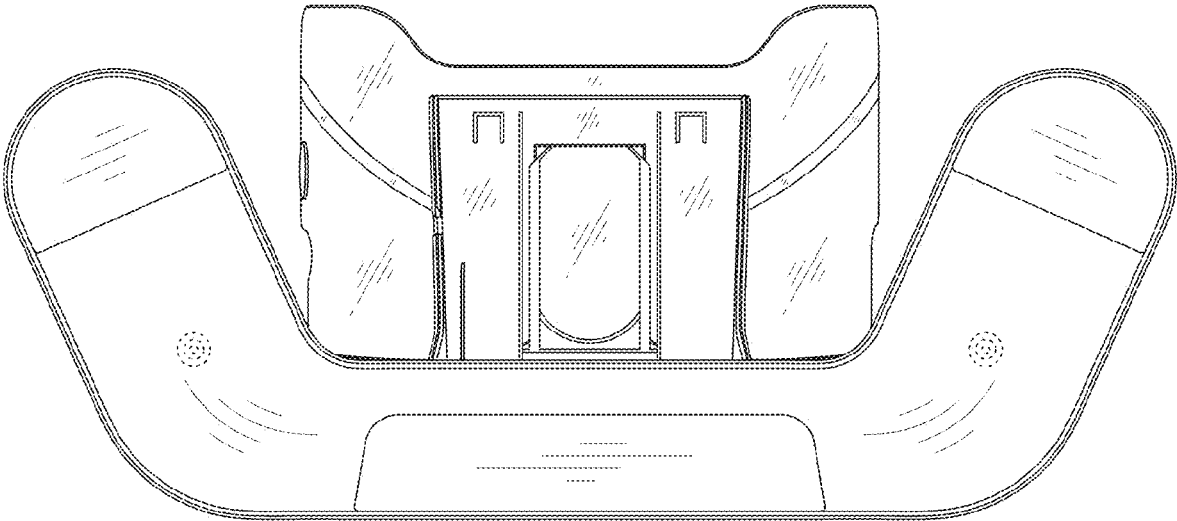


FIG. 8