

(19) World Intellectual Property Organization
International Bureau



(43) International Publication Date
6 February 2003 (06.02.2003)

PCT

(10) International Publication Number
WO 03/009668 A3

(51) International Patent Classification⁷: E04B 1/346

(21) International Application Number: PCT/US02/22683

(22) International Filing Date: 17 July 2002 (17.07.2002)

(25) Filing Language: English

(26) Publication Language: English

(30) Priority Data:
09/910,992 23 July 2001 (23.07.2001) US

(71) Applicant: **OVERHEAD DOOR CORPORATION**
[US/US]; 1900 Crown Drive, Farmers Branch, TX 75234 (US).

(72) Inventors: **WHITLEY, L., Blake**; 1712 Wellington Ct., Arlington, TX 76013 (US). **BLUME, Charles, C.**; 1417 Bell Ranch Circle, Euless, TX 76040 (US). **COMPTON,**

James, Wendall; 1633 N. Pearson Lane, Roanok, TX 76262 (US). **FRILOUX, Henri, M.**; 4441 Bentley Dr., Plano, TX 75093 (US). **WRIGHT, Robert, K.**; 7513 Centenary Dr., Rowlett, TX 75089 (US).

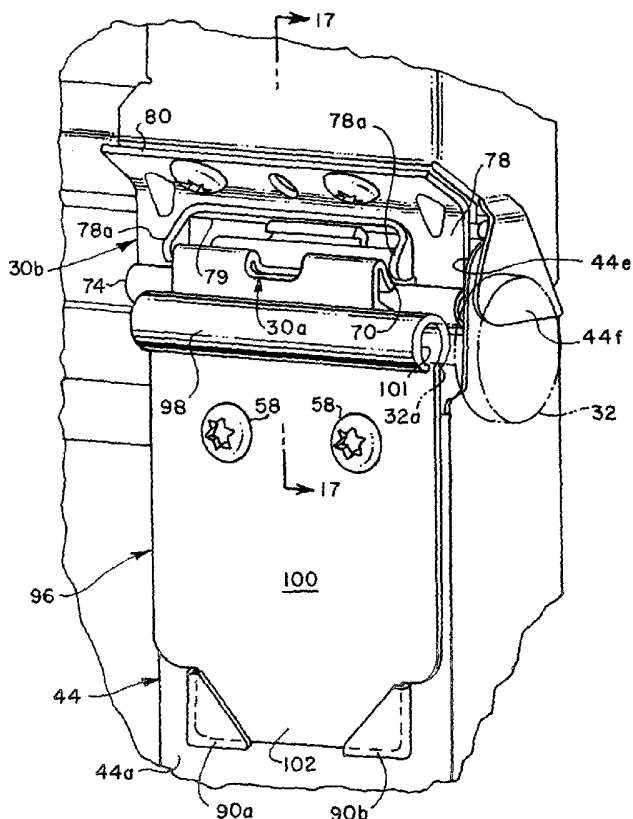
(74) Agents: **GLASER, Kenneth, R.** et al.; Gardere Wynne Sewell LLP, 1601 Elm Street, Suite 3000, Dallas, TX 75201-4761 (US).

(81) Designated States (*national*): AE, AG, AL, AM, AT, AU, AZ, BA, BB, BG, BR, BY, BZ, CA, CH, CN, CO, CR, CU, CZ, DE, DK, DM, DZ, EC, EE, ES, FI, GB, GD, GE, GH, GM, HR, HU, ID, IL, IN, IS, JP, KE, KG, KP, KR, KZ, LC, LK, LR, LS, LT, LU, LV, MA, MD, MG, MK, MN, MW, MX, MZ, NO, NZ, OM, PH, PL, PT, RO, RU, SD, SE, SG, SI, SK, SL, TJ, TM, TN, TR, TT, TZ, UA, UG, UZ, VN, YU, ZA, ZM, ZW.

(84) Designated States (*regional*): ARIPO patent (GH, GM, KE, LS, MW, MZ, SD, SL, SZ, TZ, UG, ZM, ZW), Eurasian patent (AM, AZ, BY, KG, KZ, MD, RU, TJ, TM),

[Continued on next page]

(54) Title: SECTIONAL UPWARD ACTING DOOR AND METHOD OF ASSEMBLY



(57) Abstract: Sectional door panels (28) including formed metal or plastic skin parts with opposed upper and lower edges configured to pinch resistant connections between adjacent panels (28). The skin part edges include spaced-apart slots (39) for receiving locating flanges (44c, 46g, 46h) formed on opposed end stiles (41, 42, 44). Snap together hinge parts (30) are provided with bosses cooperating with slots formed in the stiles (41, 42, 44) for locating the hinge parts (30) and the stiles (41, 42, 44) to the skin parts. The hinge parts (30) include cooperating pins (74) and receiving bores with bore portions being formed in part by elastically deflectable fingers whereby the hinge parts (30) are snapped together during assembly by stacking one panel (28) atop of another.



WO 03/009668 A3



European patent (AT, BE, BG, CH, CY, CZ, DE, DK, EE, ES, FI, FR, GB, GR, IE, IT, LU, MC, NL, PT, SE, SK, TR), OAPI patent (BF, BJ, CF, CG, CI, CM, GA, GN, GQ, GW, ML, MR, NE, SN, TD, TG).

(88) Date of publication of the international search report:
16 October 2003

Published:

— *with international search report*

For two-letter codes and other abbreviations, refer to the "Guidance Notes on Codes and Abbreviations" appearing at the beginning of each regular issue of the PCT Gazette.

INTERNATIONAL SEARCH REPORT

International application No.
PCT/US02/22688

A. CLASSIFICATION OF SUBJECT MATTER

IPC(7) : E04B 1/346

US CL : 52/64

According to International Patent Classification (IPC) or to both national classification and IPC

B. FIELDS SEARCHED

Minimum documentation searched (classification system followed by classification symbols)

U.S. : 52/64; 16/225, 257, 267, 337; 160/201, 229.1, 236

Documentation searched other than minimum documentation to the extent that such documents are included in the fields searched

Electronic data base consulted during the international search (name of data base and, where practicable, search terms used)

C. DOCUMENTS CONSIDERED TO BE RELEVANT

Category*	Citation of document, with indication, where appropriate, of the relevant passages	Relevant to claim No.
X	US 5,782,283 A (KENDALL) 21 JULY 1998, SEE ENTIRE DOCUMENT.	1, 4, 11-13 16-18

 Further documents are listed in the continuation of Box C.
 See patent family annex.

* Special categories of cited documents:	"T" later document published after the international filing date or priority date and not in conflict with the application but cited to understand the principle or theory underlying the invention
"A" document defining the general state of the art which is not considered to be of particular relevance	"X" document of particular relevance; the claimed invention cannot be considered novel or cannot be considered to involve an inventive step when the document is taken alone
"E" earlier document published on or after the international filing date	"Y" document of particular relevance; the claimed invention cannot be considered to involve an inventive step when the document is combined with one or more other such documents, such combination being obvious to a person skilled in the art
"L" document which may throw doubts on priority claim(s) or which is cited to establish the publication date of another citation or other special reason (as specified)	"&" document member of the same patent family
"O" document referring to an oral disclosure, use, exhibition or other means	
"P" document published prior to the international filing date but later than the priority date claimed	

Date of the actual completion of the international search
10 MARCH 2003Date of mailing of the international search report
21 MAR 2003Name and mailing address of the ISA/US
Commissioner of Patents and Trademarks
Box PCT
Washington, D.C. 20231
Facsimile No. (703) 305-3230Authorized officer
YVONNE M. HORTON
Telephone No. (703) 308-2168


INTERNATIONAL SEARCH REPORT

International application No.
PCT/US02/22683

Box I Observations where certain claims were found unsearchable (Continuation of item 1 of first sheet)

This international report has not been established in respect of certain claims under Article 17(2)(a) for the following reasons:

1. Claims Nos.:
because they relate to subject matter not required to be searched by this Authority, namely:

2. Claims Nos.:
because they relate to parts of the international application that do not comply with the prescribed requirements to such an extent that no meaningful international search can be carried out, specifically:

3. Claims Nos.:
because they are dependent claims and are not drafted in accordance with the second and third sentences of Rule 6.4(a).

Box II Observations where unity of invention is lacking (Continuation of item 2 of first sheet)

This International Searching Authority found multiple inventions in this international application, as follows:

1. As all required additional search fees were timely paid by the applicant, this international search report covers all searchable claims.

2. As all searchable claims could be searched without effort justifying an additional fee, this Authority did not invite payment of any additional fee.

3. As only some of the required additional search fees were timely paid by the applicant, this international search report covers only those claims for which fees were paid, specifically claims Nos.:

4. No required additional search fees were timely paid by the applicant. Consequently, this international search report is restricted to the invention first mentioned in the claims; it is covered by claims Nos.:

Remark on Protest

- The additional search fees were accompanied by the applicant's protest.
 No protest accompanied the payment of additional search fees.