



US00D715489S

(12) **United States Design Patent**
Aulwes et al.

(10) **Patent No.:** **US D715,489 S**

(45) **Date of Patent:** **** Oct. 14, 2014**

(54) **COVER FOR HAIR CLIPPERS**

(71) Applicants: **Chad Aulwes**, Sterling, IL (US); **Robert Buck, Jr.**, Rock Falls, IL (US); **Ben Phillips**, Sterling, IL (US); **Jeff Gesiakowski**, Sterling, IL (US); **Lance Wahl**, Naperville, IL (US)

(72) Inventors: **Chad Aulwes**, Sterling, IL (US); **Robert Buck, Jr.**, Rock Falls, IL (US); **Ben Phillips**, Sterling, IL (US); **Jeff Gesiakowski**, Sterling, IL (US); **Lance Wahl**, Naperville, IL (US)

(73) Assignee: **Wahl Clipper Corporation**, Sterling, IL (US)

(**) Term: **14 Years**

(21) Appl. No.: **29/479,758**

(22) Filed: **Jan. 20, 2014**

Related U.S. Application Data

(62) Division of application No. 29/449,853, filed on Mar. 15, 2013, now Pat. No. Des. 700,999.

(51) **LOC (10) Cl.** **28-03**

(52) **U.S. Cl.**
USPC **D28/54**

(58) **Field of Classification Search**
USPC D28/49-54, 44-48; 30/34.05, 32, 34.1, 30/34.2, 43-43.92, 526-527, 44-45, 341, 30/272.1, 226-227, 231, 233-233.5, 537
See application file for complete search history.

(56) **References Cited**

U.S. PATENT DOCUMENTS

- 5,068,966 A 12/1991 Wahl et al.
- D339,213 S 9/1993 Wahl et al.
- D340,783 S 10/1993 McCambridge
- D373,853 S 9/1996 Melton et al.

- D435,936 S 1/2001 Long et al.
- D436,692 S 1/2001 Larsen
- D443,725 S 6/2001 Copland et al.

(Continued)

Primary Examiner — Jennifer Rivard
(74) *Attorney, Agent, or Firm* — Greer Burns & Crain Ltd.

(57) **CLAIM**

The ornamental design for the cover for hair clippers, as shown and described.

DESCRIPTION

FIG. 1 is a perspective view of a first embodiment of the cover for hair clippers showing our new design.

FIG. 2 is a front end view of the cover for hair clippers shown in FIG. 1;

FIG. 3 is a back end view of the cover for hair clippers shown in FIG. 1;

FIG. 4 is a left side view of the cover for hair clippers shown in FIG. 1;

FIG. 5 is a right side view of the cover for hair clippers shown in FIG. 1;

FIG. 6 is a top view of the cover for hair clippers shown in FIG. 1; and

FIG. 7 is a bottom view of the cover for hair clippers shown in FIG. 1.

FIG. 8 is a perspective view of a second embodiment of the cover for hair clippers showing our new design.

FIG. 9 is a front end view of the cover for hair clippers shown in FIG. 8;

FIG. 10 is a back end view of the cover for hair clippers shown in FIG. 8;

FIG. 11 is a left side view of the cover for hair clippers shown in FIG. 8;

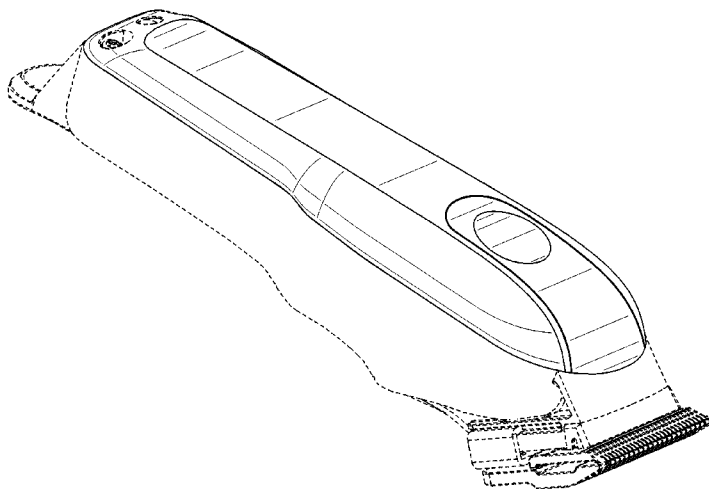
FIG. 12 is a right side view of the cover for hair clippers shown in FIG. 8;

FIG. 13 is a top view of the cover for hair clippers shown in FIG. 8; and,

FIG. 14 is a bottom view of the cover for hair clippers shown in FIG. 8.

The broken lines illustrate environmental structure and form no part of the claimed design.

1 Claim, 10 Drawing Sheets



(56)

References Cited

U.S. PATENT DOCUMENTS

D458,710 S	6/2002	Altamore et al.	D577,865 S	9/2008	Long et al.	
D472,674 S	4/2003	Long et al.	D582,604 S	12/2008	Eddinger et al.	
D479,362 S	9/2003	Dirks	D597,254 S	7/2009	Eddinger et al.	
D497,452 S	10/2004	Nielsen et al.	D621,546 S	8/2010	Aulwes et al.	
D500,391 S	12/2004	Nielsen et al.	D628,304 S	11/2010	Aulwes et al.	
D500,392 S	12/2004	Buck et al.	D652,170 S	1/2012	Snow et al.	
D501,278 S	1/2005	Nielsen et al.	D675,780 S	2/2013	Wallace et al.	
D513,344 S	12/2005	Choi	D675,781 S	2/2013	Whittaker et al.	
6,986,206 B2	1/2006	McCambridge et al.	D675,782 S	2/2013	Buck, Jr.	
7,057,374 B2	6/2006	Freas et al.	D678,612 S	3/2013	Aulwes et al.	
D555,286 S	11/2007	Long	D679,448 S	4/2013	Erickson et al.	
7,346,990 B2	3/2008	Dirks et al.	D683,900 S	6/2013	Julemont	
D571,504 S	6/2008	Long et al.	D683,901 S	6/2013	Skuhra et al.	
D573,756 S	7/2008	Nielsen et al.	D700,998 S *	3/2014	Aulwes et al.	D28/54
			D700,999 S *	3/2014	Aulwes et al.	D28/54
			2002/0162226 A1	11/2002	Abraham et al.	

* cited by examiner

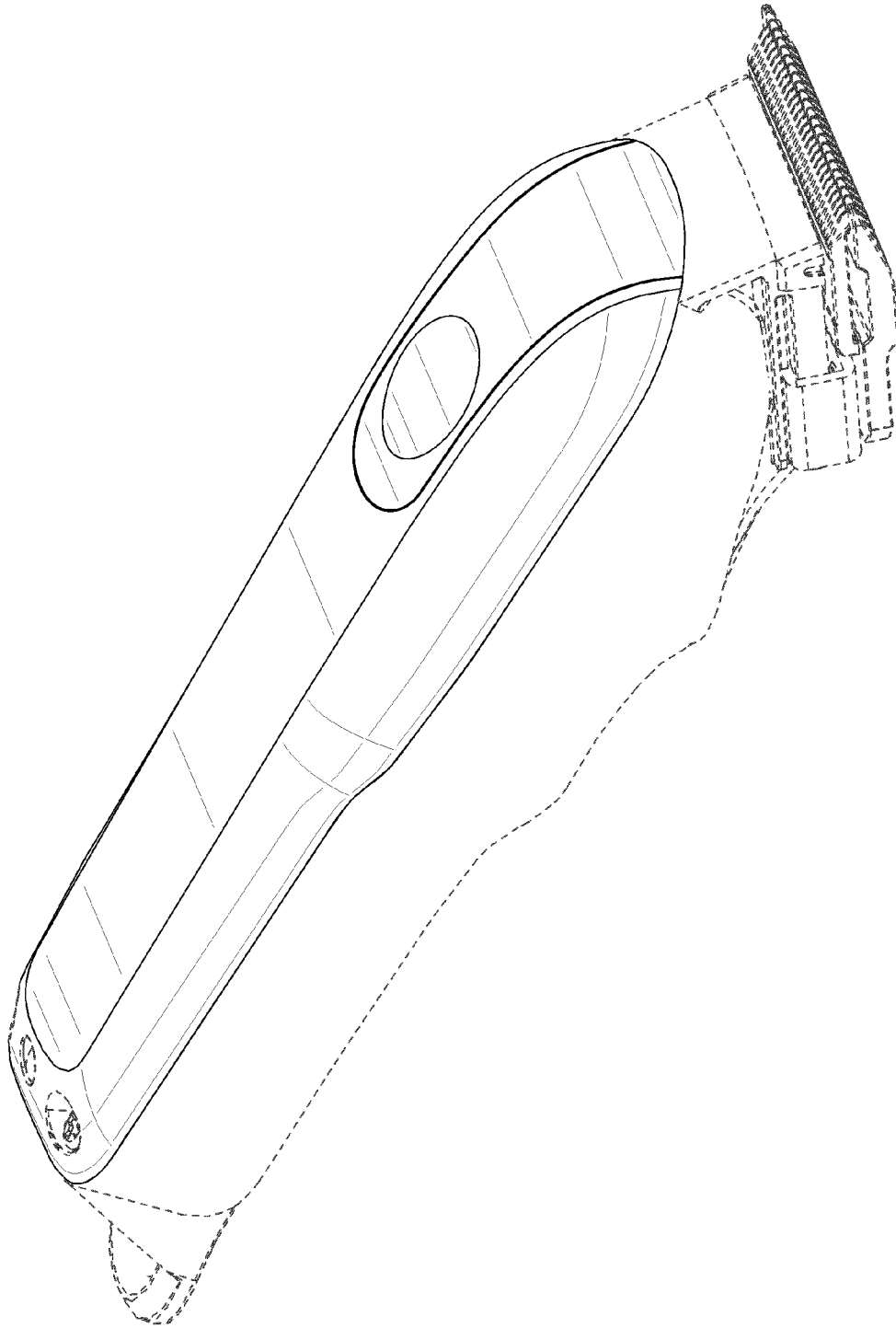


FIG. 1

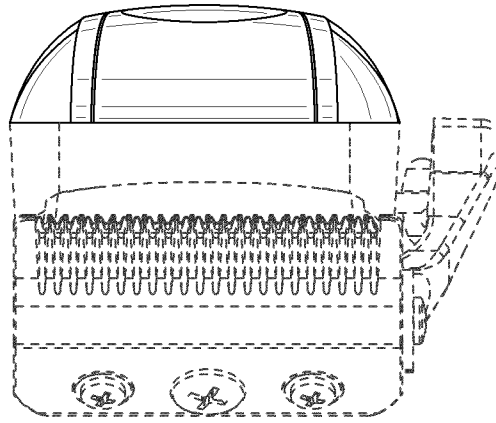


FIG. 2

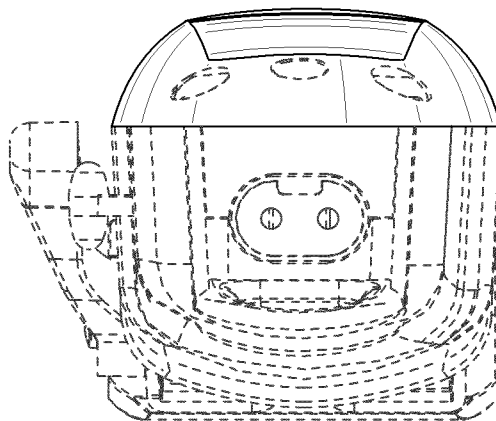


FIG. 3

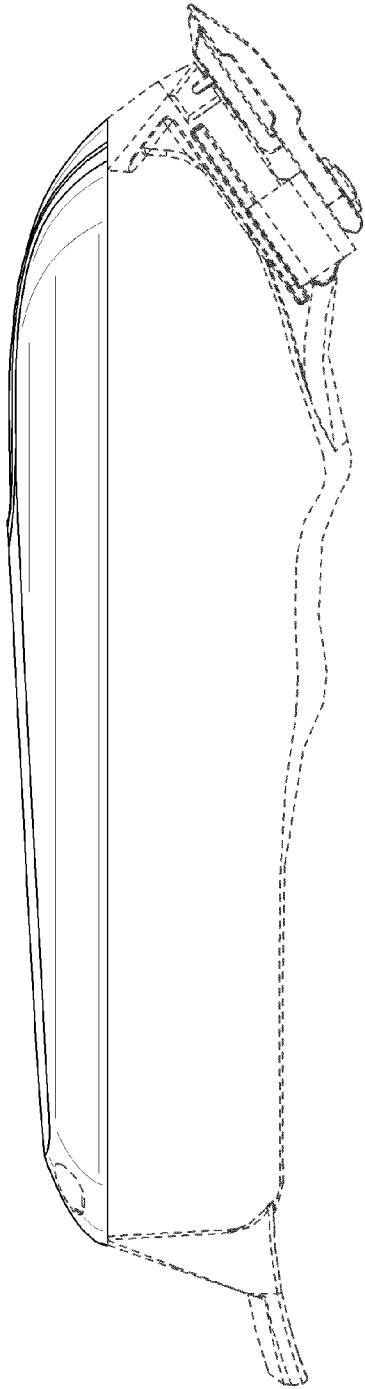


FIG. 4

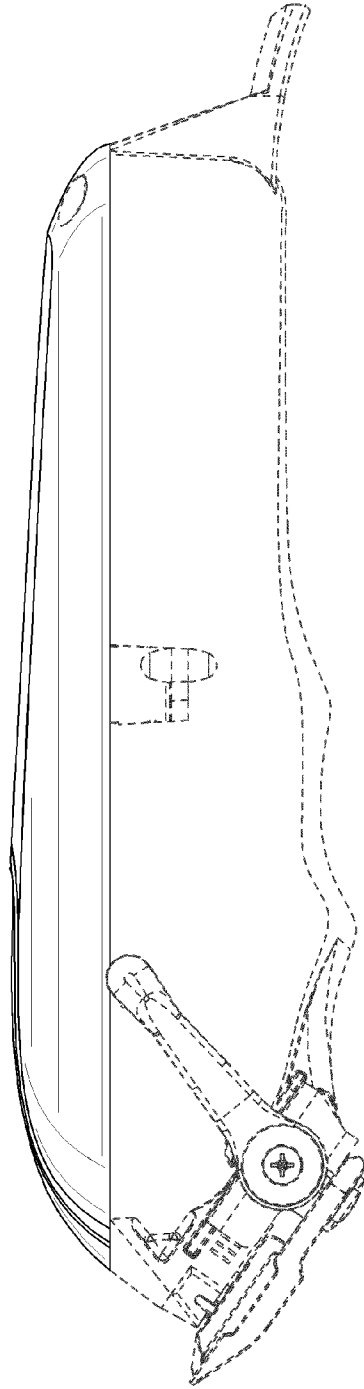


FIG. 5

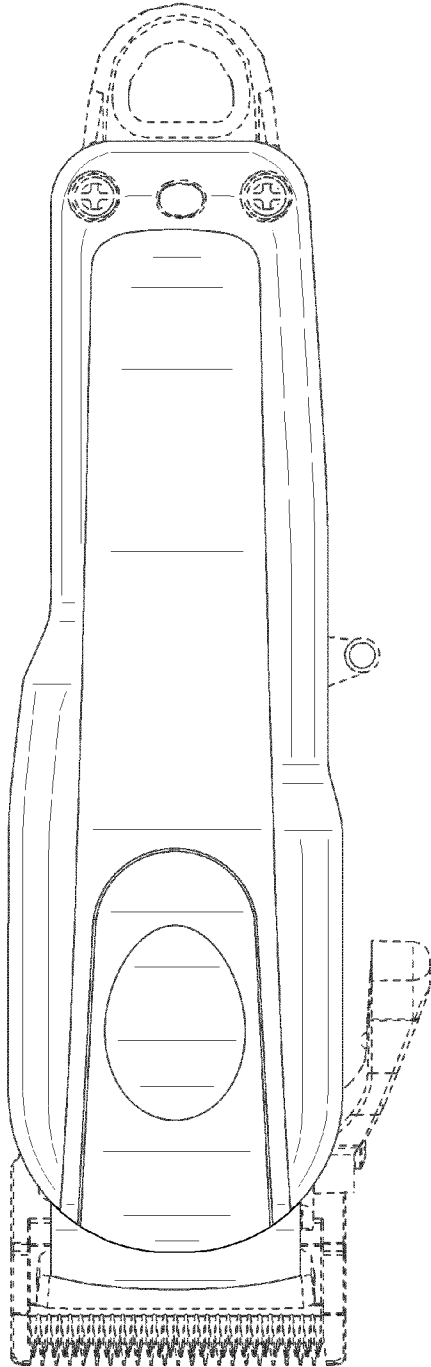


FIG. 6

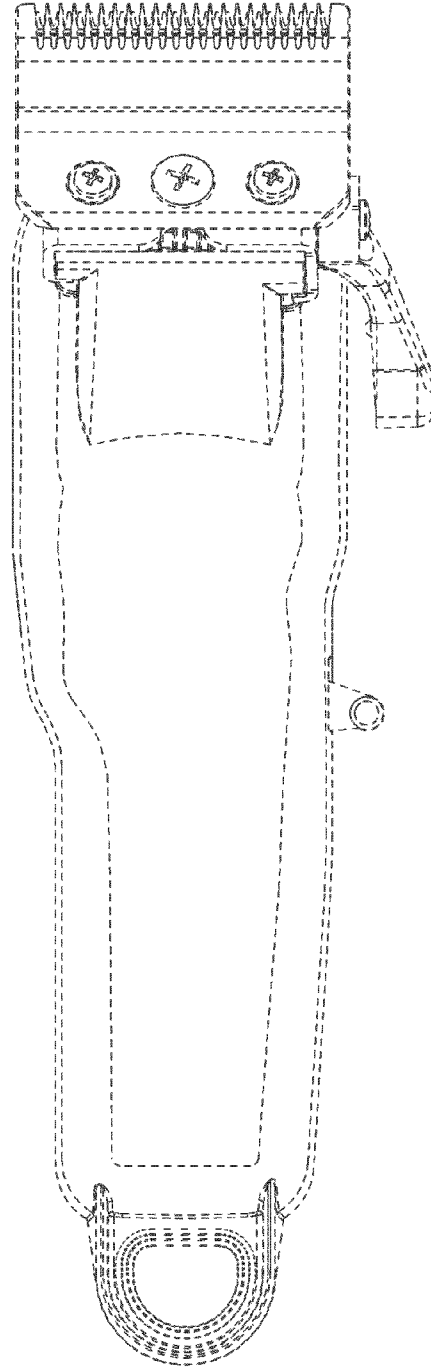


FIG. 7

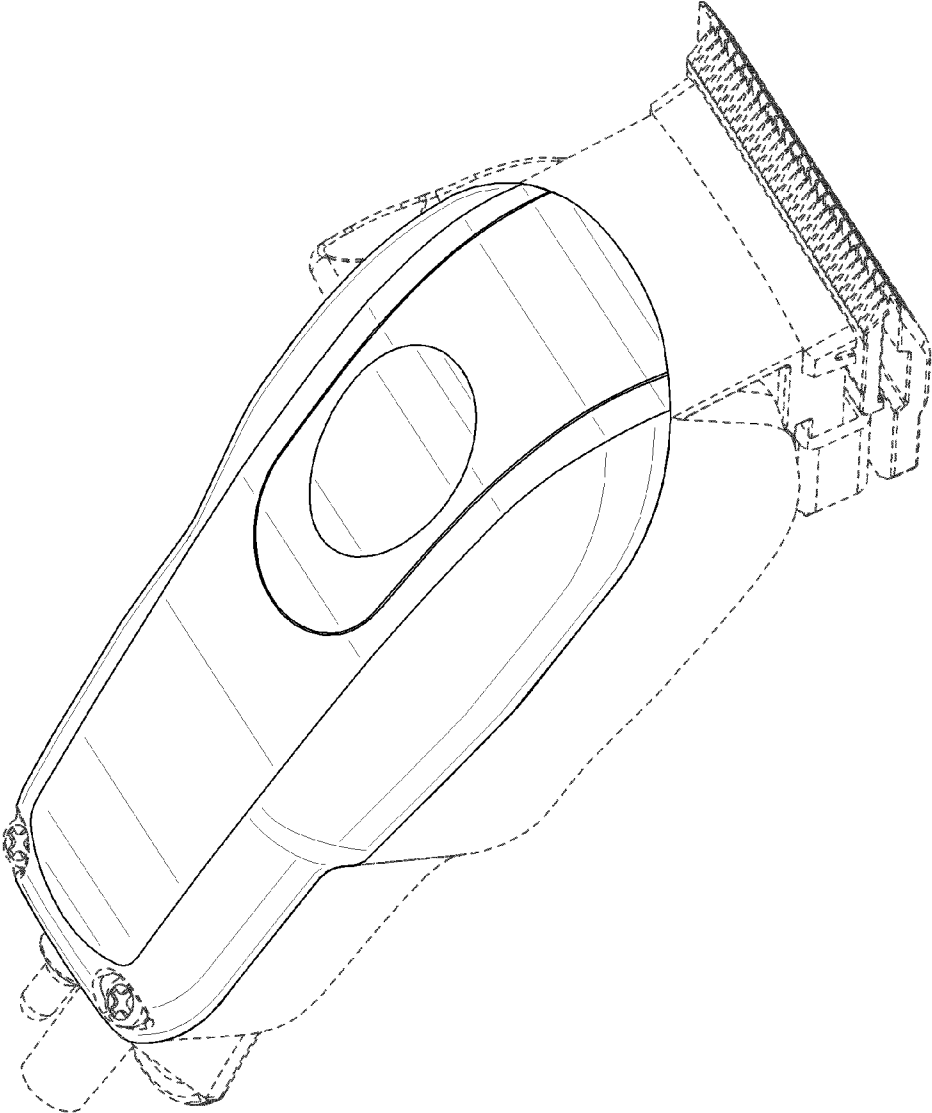


FIG. 8

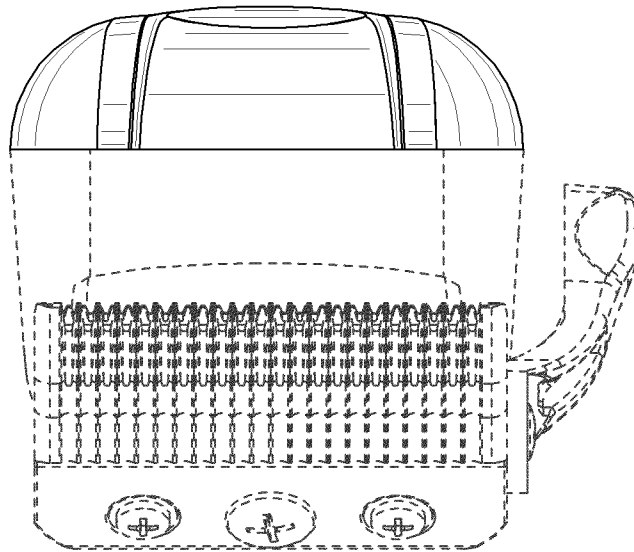


FIG. 9

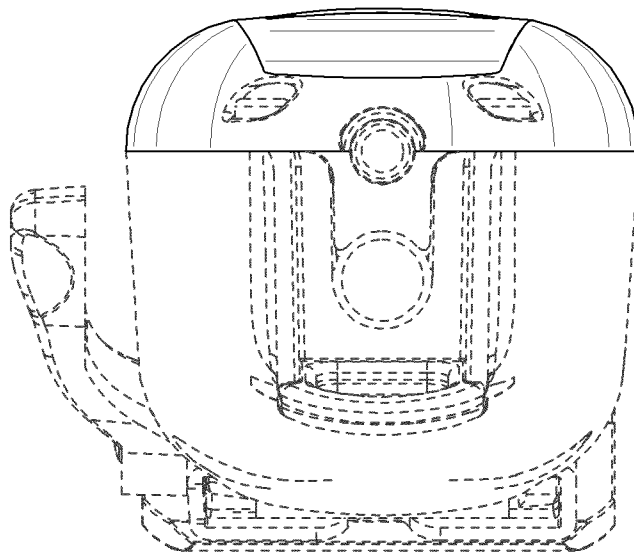


FIG. 10

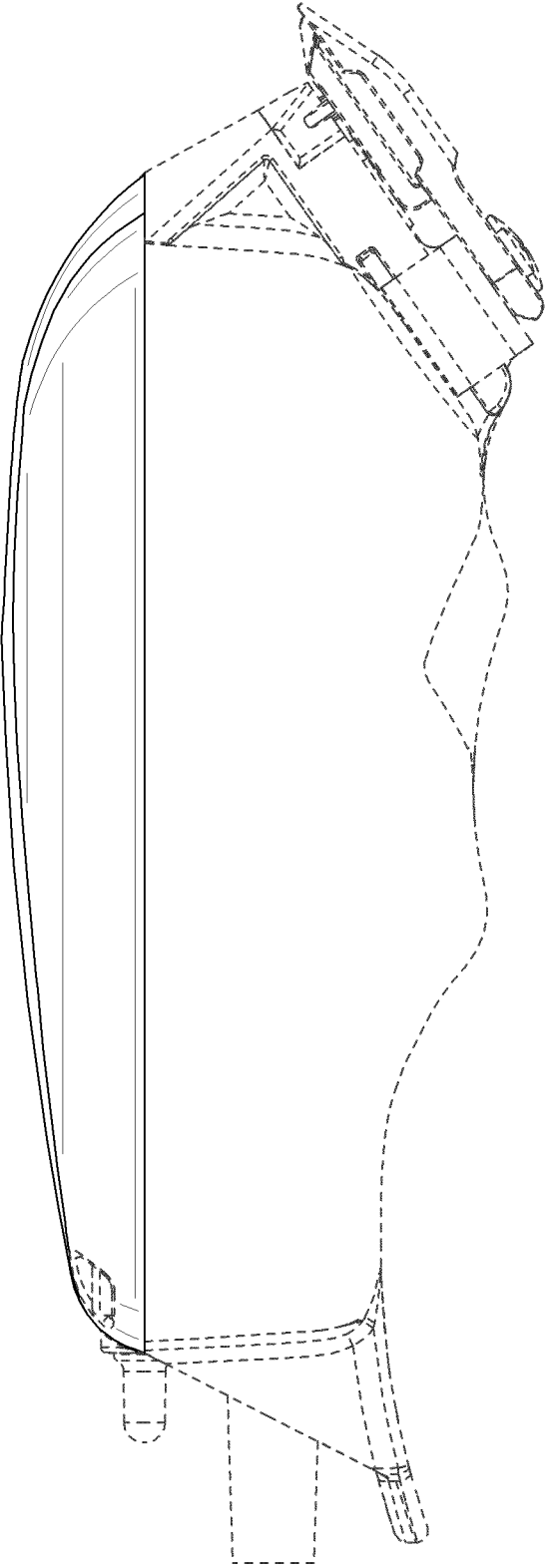


FIG. 11

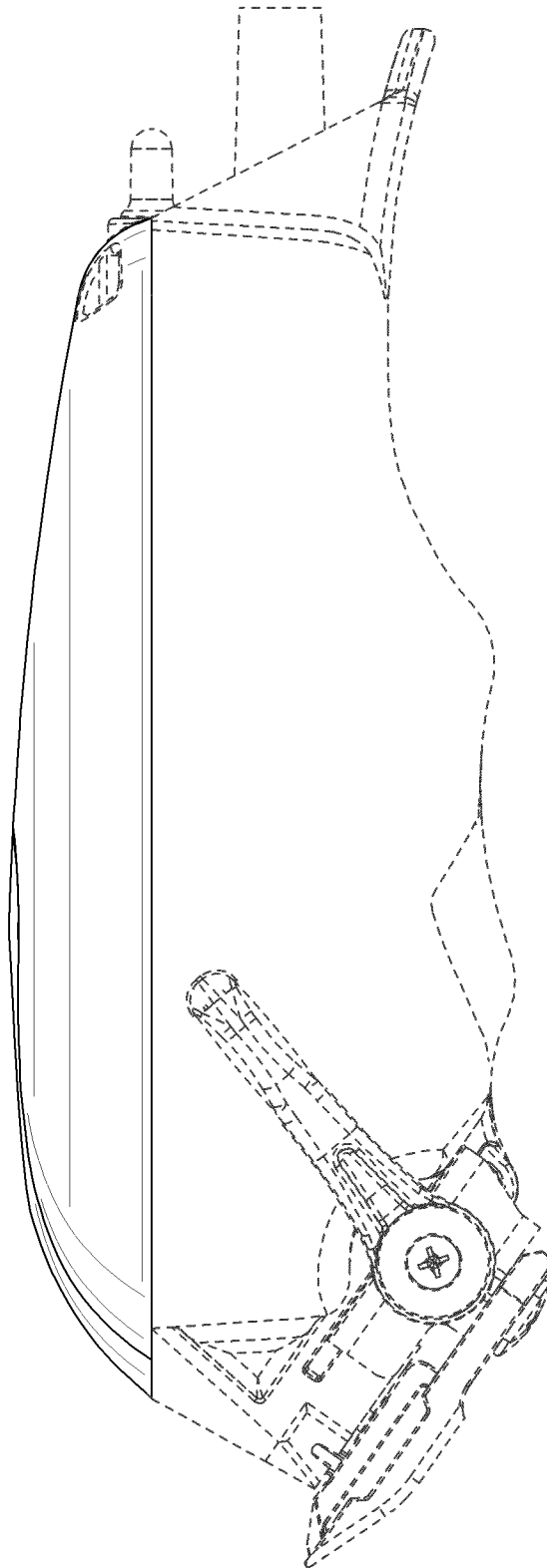


FIG. 12

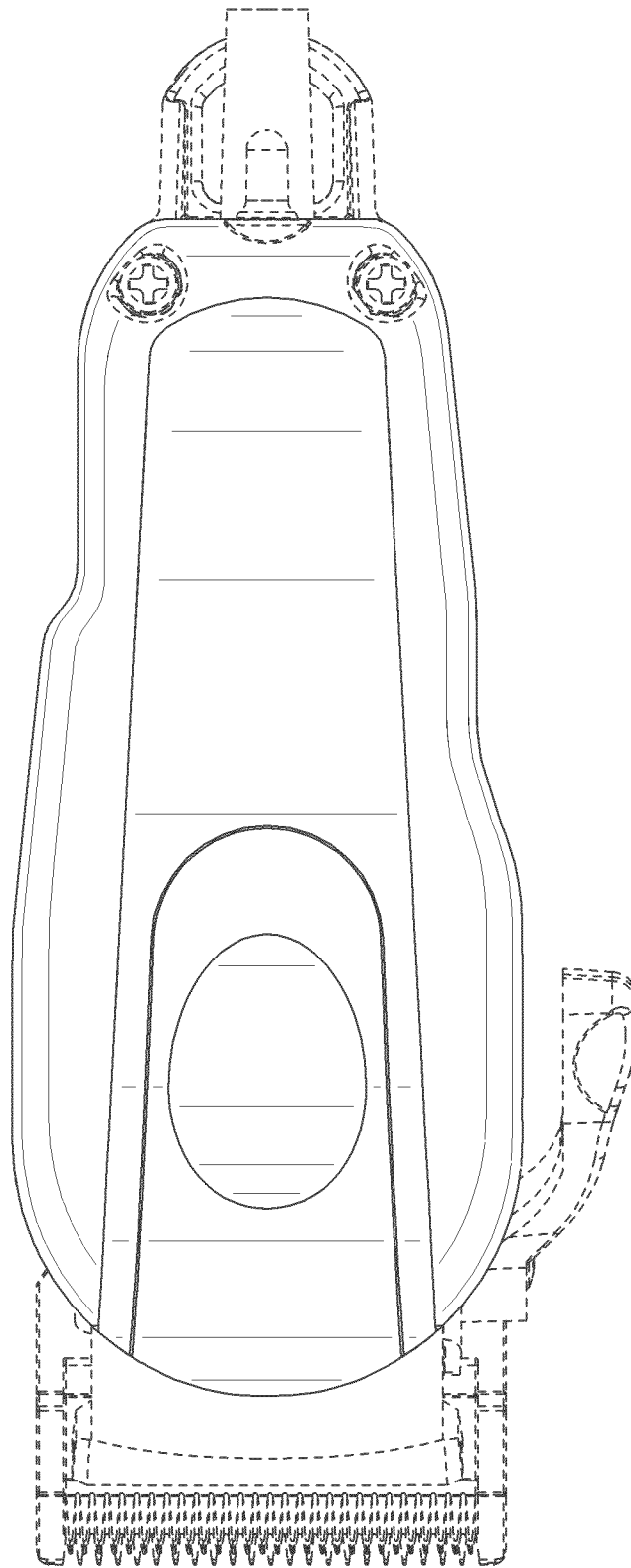


FIG. 13

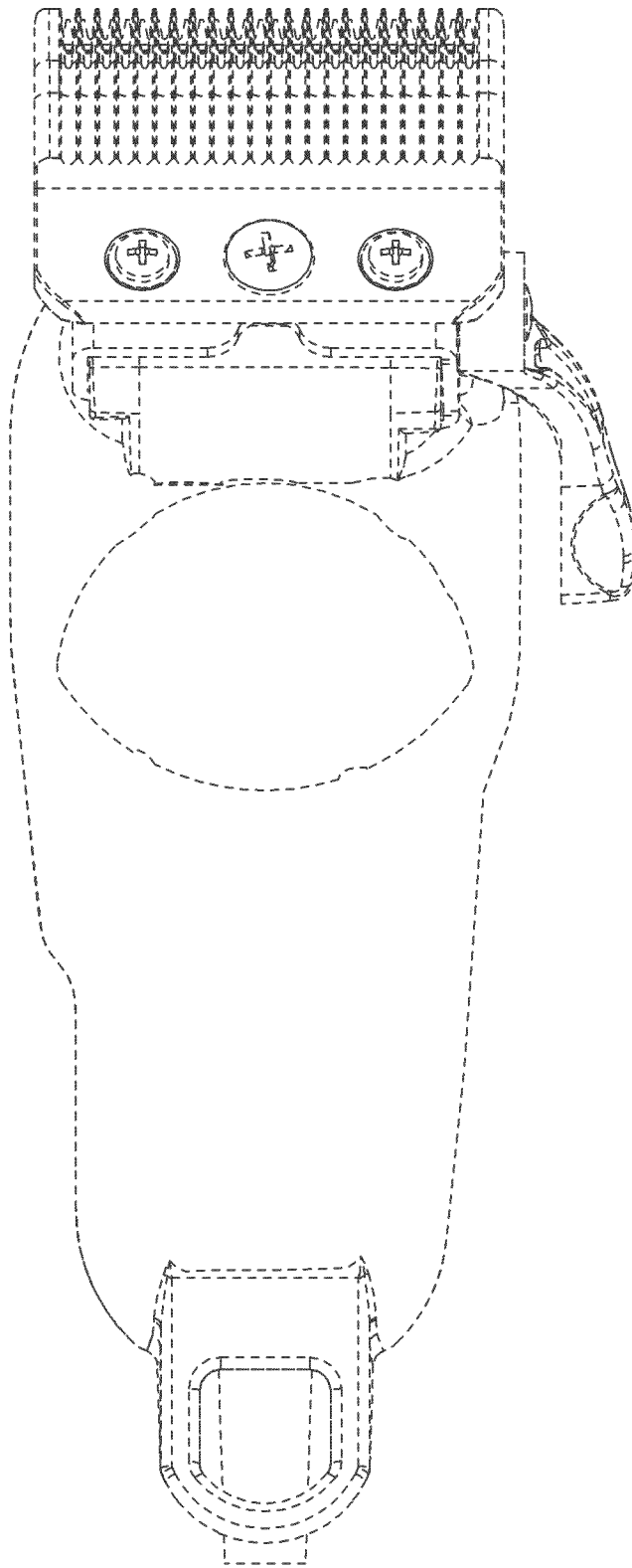


FIG. 14