

(19) World Intellectual Property
Organization
International Bureau



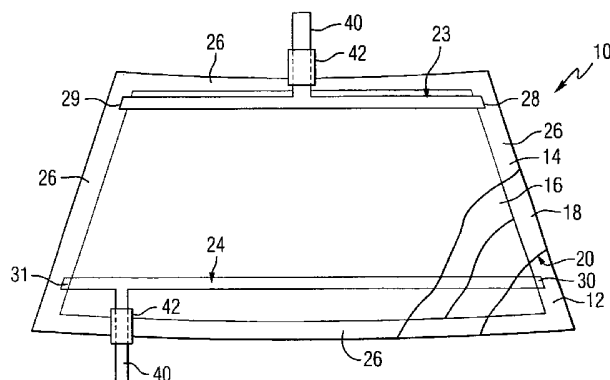
(43) International Publication Date
29 January 2004 (29.01.2004)

PCT

(10) International Publication Number
WO 2004/010738 A3

- (51) International Patent Classification⁷: **H05B 3/84**
- (21) International Application Number:
PCT/US2003/022132
- (22) International Filing Date: 16 July 2003 (16.07.2003)
- (25) Filing Language: English
- (26) Publication Language: English
- (30) Priority Data:
10/201,864 24 July 2002 (24.07.2002) US
- (71) Applicant: **PPG INDUSTRIES OHIO, INC.** [US/US];
3800 West 143rd Street, Cleveland, OH 44111 (US).
- (72) Inventor: **HAWK, Allen R.**; 3725 Saxonburg Blvd., Apt.
C, Pittsburgh, PA 15238 (US).
- (74) Agent: **SIMINERIO, Andrew C.**; PPG Industries, INC.,
Intellectual Property Dept., One PPG Place, Pittsburgh, PA
15272 (US).
- (81) Designated States (*national*): AE, AG, AL, AM, AT, AU,
AZ, BA, BB, BG, BR, BY, BZ, CA, CH, CN, CO, CR, CU,
CZ, DE, DK, DM, DZ, EC, EE, ES, FI, GB, GD, GE, GH,
GM, HR, HU, ID, IL, IN, IS, JP, KE, KG, KP, KR, KZ, LC,
LK, LR, LS, LT, LU, LV, MA, MD, MG, MK, MN, MW,
MX, MZ, NI, NO, NZ, OM, PH, PL, PT, RO, RU, SC, SD,
SE, SG, SK, SL, TJ, TM, TN, TR, TT, TZ, UA, UG, UZ,
VC, VN, YU, ZA, ZM, ZW.
- (84) Designated States (*regional*): ARIPO patent (GH, GM,
KE, LS, MW, MZ, SD, SL, SZ, TZ, UG, ZM, ZW),
Eurasian patent (AM, AZ, BY, KG, KZ, MD, RU, TJ, TM),
European patent (AT, BE, BG, CH, CY, CZ, DE, DK, EE,
ES, FI, FR, GB, GR, HU, IE, IT, LU, MC, NL, PT, RO,
SE, SI, SK, TR), OAPI patent (BF, BJ, CF, CG, CI, CM,
GA, GN, GQ, GW, ML, MR, NE, SN, TD, TG).
- Published:**
— with international search report
- (88) Date of publication of the international search report:
18 March 2004
- For two-letter codes and other abbreviations, refer to the "Guidance Notes on Codes and Abbreviations" appearing at the beginning of each regular issue of the PCT Gazette.*

(54) Title: TRANSPARENT HEATING ARRANGEMENT TO AVOID HOT SPOTS AT THE END OF BUS BARS



(57) Abstract: A transparency, e.g. a laminated heatable windshield has a pair of spaced bus bars on an electric conductive member e.g. a sputtered electric conductive coating. The perimeter of the coating is spaced from the peripheral edge of the sheet to provide a non-conductive strip. Electric conductive leads connected to the bus bars provide external electric access to the bus bars. End portions of each of the bus bar extend beyond the perimeter of the coating into the non-conductive strip to minimize, if not eliminate, hot spots at the end portions of the bus bars. Additional features to reduce hot spots includes the pair of bus bars having different lengths with one of the bus bar extending along the top side of the coating and one of the bus bars extending along the bottom side of the coating. The portions of the coating between the bus bars do not extend beyond the ends of the longer bus bar. In still a further feature of the invention, the windshield has a vision area having a top edge and a bottom edge, and the coating has a top edge adjacent the top edge of the vision area and a bottom edge adjacent the bottom edge of the vision area. The top bus bar is adjacent the top edge of the coating and the bottom bus bar is adjacent the bottom edge of the coating with both bus bars outside of the vision area. The bottom edge of the coating is spaced a greater distance from the bottom edge of the vision area than the bottom bus bar and the top edge of the coating is spaced a greater distance from the top edge of the vision area than the top.



WO 2004/010738 A3

INTERNATIONAL SEARCH REPORT

Internat	Application No
PCT/US 03/22132	

A. CLASSIFICATION OF SUBJECT MATTER
 IPC 7 H05B3/84

According to International Patent Classification (IPC) or to both national classification and IPC

B. FIELDS SEARCHED

Minimum documentation searched (classification system followed by classification symbols)
 IPC 7 H05B

Documentation searched other than minimum documentation to the extent that such documents are included in the fields searched

Electronic data base consulted during the international search (name of data base and, where practical, search terms used)

EPO-Internal

C. DOCUMENTS CONSIDERED TO BE RELEVANT

Category °	Citation of document, with indication, where appropriate, of the relevant passages	Relevant to claim No.
X	US 5 128 513 A (BYARS JOE B ET AL) 7 July 1992 (1992-07-07) the whole document	1-30
A	EP 0 524 537 A (PPG INDUSTRIES INC) 27 January 1993 (1993-01-27) abstract; figures 1-3	1,28
A	US 3 928 748 A (SAUER GERD) 23 December 1975 (1975-12-23) abstract; figures 1-3	1,3,20
A	US 3 623 906 A (AKEYOSHI KAZUYUKI ET AL) 30 November 1971 (1971-11-30) abstract; figures 1-5	1,3,20
	-/--	

Further documents are listed in the continuation of box C.

Patent family members are listed in annex.

° Special categories of cited documents :

- *A* document defining the general state of the art which is not considered to be of particular relevance
- *E* earlier document but published on or after the international filing date
- *L* document which may throw doubts on priority claim(s) or which is cited to establish the publication date of another citation or other special reason (as specified)
- *O* document referring to an oral disclosure, use, exhibition or other means
- *P* document published prior to the international filing date but later than the priority date claimed

- *T* later document published after the international filing date or priority date and not in conflict with the application but cited to understand the principle or theory underlying the invention
- *X* document of particular relevance; the claimed invention cannot be considered novel or cannot be considered to involve an inventive step when the document is taken alone
- *Y* document of particular relevance; the claimed invention cannot be considered to involve an inventive step when the document is combined with one or more other such documents, such combination being obvious to a person skilled in the art.
- *&* document member of the same patent family

Date of the actual completion of the international search

3 December 2003

Date of mailing of the international search report

16/12/2003

Name and mailing address of the ISA

European Patent Office, P.B. 5818 Patentlaan 2
 NL - 2280 HV Rijswijk
 Tel. (+31-70) 340-2040, Tx. 31 651 epo nl,
 Fax: (+31-70) 340-3016

Authorized officer

Garcia, J

INTERNATIONAL SEARCH REPORT

Internati	Application No
PCT/US 03/22132	

C.(Continuation) DOCUMENTS CONSIDERED TO BE RELEVANT		
Category °	Citation of document, with indication, where appropriate, of the relevant passages	Relevant to claim No.
A	US 5 824 994 A (AIKAWA KATSUAKI ET AL) 20 October 1998 (1998-10-20) abstract; figures 1-8 -----	1

INTERNATIONAL SEARCH REPORT

Information on patent family members

Internationa	plication No
PCT/US 03/22132	

Patent document cited in search report	A	Publication date	Patent family member(s)	Publication date
US 5128513	A	07-07-1992	NONE	
EP 0524537	A	27-01-1993	US 5434384 A CA 2074048 A1 DE 69226995 D1 DE 69226995 T2 EP 0524537 A2 ES 2123527 T3 JP 2935224 B2 JP 5193355 A KR 9513521 B1	18-07-1995 23-01-1993 22-10-1998 12-05-1999 27-01-1993 16-01-1999 16-08-1999 03-08-1993 08-11-1995
US 3928748	A	23-12-1975	FR 2250329 A5 AR 199012 A1 AT 348024 B AT 1021273 A BE 808397 A1 CA 1020609 A1 CH 587136 A5 CS 191880 B2 DD 109577 A5 DE 2360672 A1 ES 421234 A1 FI 374773 A GB 1439689 A IN 140617 A1 IT 1001257 B JP 1133029 C JP 50078026 A JP 57023449 B NL 7316665 A SE 398417 B SE 7316441 A SU 610479 A3 ZA 7309711 A	30-05-1975 31-07-1974 25-01-1979 15-06-1978 07-06-1974 08-11-1977 29-04-1977 31-07-1979 12-11-1974 15-05-1975 16-07-1976 01-05-1975 16-06-1976 11-12-1976 20-04-1976 27-01-1983 25-06-1975 19-05-1982 02-05-1975 19-12-1977 02-05-1975 05-06-1978 27-11-1974
US 3623906	A	30-11-1971	JP 50008452 B DE 1807862 A1 DE 1817828 A1 FR 1591393 A GB 1194090 A	04-04-1975 21-08-1969 27-04-1972 27-04-1970 10-06-1970
US 5824994	A	20-10-1998	JP 9063758 A	07-03-1997