



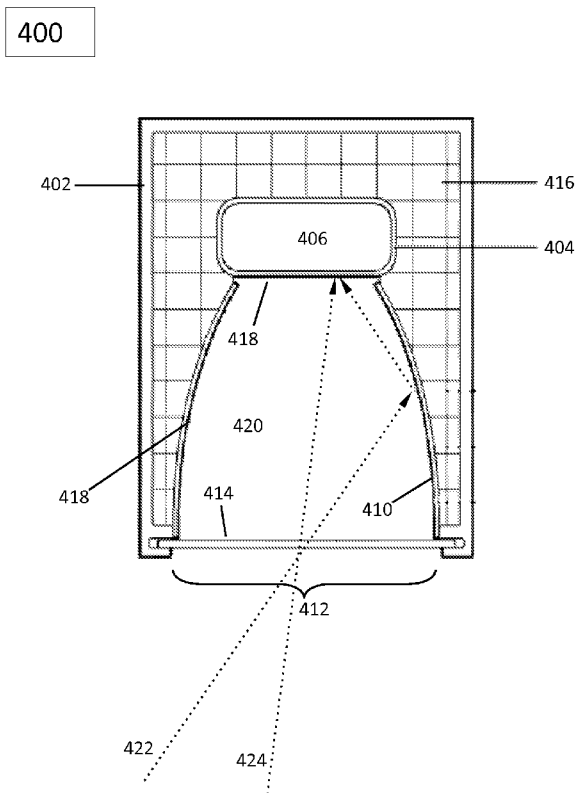
- (51) International Patent Classification:  
F24J 2/04 (2006.01) F24J 2/42 (2006.01)  
F24J 2/14 (2006.01)
- (21) International Application Number:  
PCT/US2013/020584
- (22) International Filing Date:  
7 January 2013 (07.01.2013)
- (25) Filing Language: English
- (26) Publication Language: English
- (30) Priority Data:  
61/583,585 5 January 2012 (05.01.2012) US
- (71) Applicant (for all designated States except US): **NORWICH TECHNOLOGIES, INC.** [US/US]; 994 New Boston Road, Norwich, VT 05055 (US).

- (72) Inventors; and
- (71) Applicants (for US only): **STETTENHEIM, Joel** [US/US]; 994 New Boston Road, Norwich, VT 05055 (US). **MCBRIDE, Troy, O.** [US/US]; 175 Hawk Pine Rd, Norwich, VT 05055 (US). **BRAMBLES, Oliver, J.** [GB/US]; 27 Ridgewood Hill Rd, Norwich, VT 05055 (US).
- (74) Agent: **MILSTEIN, Joseph, B.;** Milstein Zhang & Wu LLC, 2000 Commonwealth Avenue, Suite 400, Newton, MA 02466-2004 (US).
- (81) Designated States (unless otherwise indicated, for every kind of national protection available): AE, AG, AL, AM, AO, AT, AU, AZ, BA, BB, BG, BH, BN, BR, BW, BY, BZ, CA, CH, CL, CN, CO, CR, CU, CZ, DE, DK, DM, DO, DZ, EC, EE, EG, ES, FI, GB, GD, GE, GH, GM, GT, HN, HR, HU, ID, IL, IN, IS, JP, KE, KG, KM, KN, KP, KR, KZ, LA, LC, LK, LR, LS, LT, LU, LY, MA, MD, ME, MG, MK, MN, MW, MX, MY, MZ, NA, NG, NI,

[Continued on next page]

(54) Title: CAVITY RECEIVERS FOR PARABOLIC SOLAR TROUGHS

FIG. 4



(57) Abstract: A tubular heat-absorbing element partly enclosed in an insulating layer or jacket, has absorbing surface that is accessible to solar radiation. The thermal insulation is designed to provide entry to solar radiation by way of a cavity. The absorbing surface can be substantially planar.



NO, NZ, OM, PA, PE, PG, PH, PL, PT, QA, RO, RS, RU, RW, SC, SD, SE, SG, SK, SL, SM, ST, SV, SY, TH, TJ, TM, TN, TR, TT, TZ, UA, UG, US, UZ, VC, VN, ZA, ZM, ZW.

SM, TR), OAPI (BF, BJ, CF, CG, CI, CM, GA, GN, GQ, GW, ML, MR, NE, SN, TD, TG).

**Published:**

- with international search report (*Art. 21(3)*)
- before the expiration of the time limit for amending the claims and to be republished in the event of receipt of amendments (*Rule 48.2(h)*)

**(84) Designated States** (*unless otherwise indicated, for every kind of regional protection available*): ARIPO (BW, GH, GM, KE, LR, LS, MW, MZ, NA, RW, SD, SL, SZ, TZ, UG, ZM, ZW), Eurasian (AM, AZ, BY, KG, KZ, RU, TJ, TM), European (AL, AT, BE, BG, CH, CY, CZ, DE, DK, EE, ES, FI, FR, GB, GR, HR, HU, IE, IS, IT, LT, LU, LV, MC, MK, MT, NL, NO, PL, PT, RO, RS, SE, SI, SK,

**(88) Date of publication of the international search report:**

9 January 2014

**INTERNATIONAL SEARCH REPORT**

International application No.

PCT/US 2013/020584

**A. CLASSIFICATION OF SUBJECT MATTER**

*F24J 2/04 (2006.01)*  
*F24J 2/14 (2006.01)*  
*F24J 2/42 (2006.01)*

According to International Patent Classification (IPC) or to both national classification and IPC

**B. FIELDS SEARCHED**

Minimum documentation searched (classification system followed by classification symbols)

F24J 2/00-2/06, 2/10, 2/14, 2/24, 2/42, H01L 25/00

Documentation searched other than minimum documentation to the extent that such documents are included in the fields searched

Electronic data base consulted during the international search (name of data base and, where practicable, search terms used)

PatSearch (RUPTO internal), USPTO, PAJ, Esp@cenet, Information Retrieval System of FIPS

**C. DOCUMENTS CONSIDERED TO BE RELEVANT**

Category*	Citation of document, with indication, where appropriate, of the relevant passages	Relevant to claim No.
Y	SU 1726922 A1 (GOSUDARSTVENNY NAUCHNO-ISSLEDOVATELSKY ENERGETICHESKY INSTITUT IM. G. M. KRZHIZHANOVSKOGO) 15.04.1992, fig. 1, p. 5, left col., lines 60-65, right col., lines 1-30	3, 6, 7, 9, 10, 11, 13-25, 27-30, 32, 33, 39
A		1-2, 4-5, 8, 12, 26, 31, 34-38
Y	US 5931158 A (DEUTSCHES ZENTRUM FUER LUFT- UND RAUMFAHRT E.V.) 03.08.1999, fig. 1, col. 5, lines 1-65	3, 6, 7, 14, 21, 22, 24, 27, 33
Y	RU 2194928 C1 (ISAEV PAIZULLA ISAEVICH) 20.12.2002, fig. 2, claims	27, 28
Y	SU 1451474 A1 (NAUCHNO-ISSLEDOVATELSKY INSTITUT SANITARNOI TEKHNIKI I OBORUDOVANIYA ZDANY I SOORUZHENY) 15.01.1989, fig. 1, 2, abstract	3, 9, 14, 39
Y	US 2003/0201008 A1 (PAUL LAWHEED) 30.10.2003, fig. 1, 5, par. [0061]-[0067], [0079]-[0083]	25, 28-30

Further documents are listed in the continuation of Box C.

See patent family annex.

* Special categories of cited documents:	"T" later document published after the international filing date or priority date and not in conflict with the application but cited to understand the principle or theory underlying the invention
"A" document defining the general state of the art which is not considered to be of particular relevance	"X" document of particular relevance: the claimed invention cannot be considered novel or cannot be considered to involve an inventive step when the document is taken alone
"E" earlier document but published on or after the international filing date	"Y" document of particular relevance: the claimed invention cannot be considered to involve an inventive step when the document is combined with one or more other such documents, such combination being obvious to a person skilled in the art
"L" document which may throw doubts on priority claim(s) or which is cited to establish the publication date of another citation or other special reason (as specified)	"&" document member of the same patent family
"O" document referring to an oral disclosure, use, exhibition or other means	
"P" document published prior to the international filing date but later than the priority date claimed	

Date of the actual completion of the international search

24 September 2013 (24.09.2013)

Date of mailing of the international search report

07 November 2013 (07.11.2013)

Name and mailing address of the ISA/ FIPS  
 Russia, 123995, Moscow, G-59, GSP-5,  
 Berezhtkovskaya nab., 30-1

Authorized officer

I. Komarova

Facsimile No. +7 (499) 243-33-37

Telephone No. (499) 240-25-91