



US00D673519S

(12) **United States Design Patent**
Tan

(10) **Patent No.:** **US D673,519 S**

(45) **Date of Patent:** **** Jan. 1, 2013**

(54) **HEADPHONE**

(75) Inventor: **Chao Tan**, Shenzhen (CN)

(73) Assignee: **Shenzhen Kai Ju Yuan Technology Co. Ltd.**, ShenZhen, Guang Dong (CN)

(**) Term: **14 Years**

(21) Appl. No.: **29/401,322**

(22) Filed: **Sep. 9, 2011**

(51) **LOC (9) Cl.** **14-01**

(52) **U.S. Cl.** **D14/205**

(58) **Field of Classification Search** D14/205,
D14/206, 223; 181/129, 130, 135; 379/430,
379/431; 381/380, 381, 374; D29/112; 2/209;
455/90.3, 575.1

See application file for complete search history.

(56) **References Cited**

U.S. PATENT DOCUMENTS

4,821,318	A	*	4/1989	Wu	379/430
D338,010	S	*	8/1993	Yamatogi	D14/205
D351,172	S	*	10/1994	Nakamura et al.	D14/205
D358,389	S	*	5/1995	Isono	D14/205
D386,181	S	*	11/1997	Fisher	D14/205
D394,062	S	*	5/1998	Chun	D14/192
5,793,878	A	*	8/1998	Chang	381/370
6,081,604	A	*	6/2000	Hikichi et al.	381/371

D430,140	S	*	8/2000	Roman	D14/205
D439,574	S	*	3/2001	Katayama	D14/203.5
D484,485	S	*	12/2003	Matsuoka	D14/205
D549,688	S	*	8/2007	Suzuki	D14/205
D552,077	S		10/2007	Brunner et al.		
D563,382	S	*	3/2008	Wikel	D14/205
D588,098	S	*	3/2009	Kurihara	D14/205
D593,995	S	*	6/2009	Shimizu	D14/205
D625,705	S	*	10/2010	Ohori et al.	D14/205
D632,668	S		2/2011	Brunner et al.		
D637,176	S		5/2011	Brunner et al.		

* cited by examiner

Primary Examiner — Paula Greene

(74) *Attorney, Agent, or Firm* — Tim Tingkang Xia

(57) **CLAIM**

The ornamental design of a headphone, as shown and described.

DESCRIPTION

FIG. 1 is a front, top and right side perspective view of a headphone showing our new design, the opposite side is a mirror image;

FIG. 2 is a front elevational view thereof;

FIG. 3 is a rear elevational view thereof;

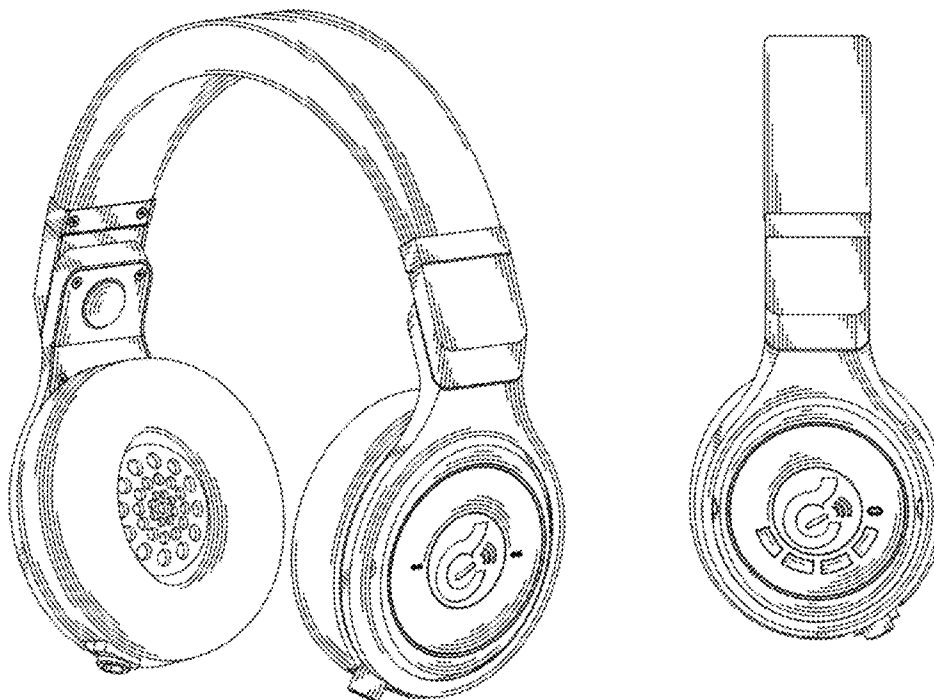
FIG. 4 is a left side elevational view thereof;

FIG. 5 is a right side elevational view thereof;

FIG. 6 is a top plan view thereof; and,

FIG. 7 is a bottom plan view thereof.

1 Claim, 5 Drawing Sheets



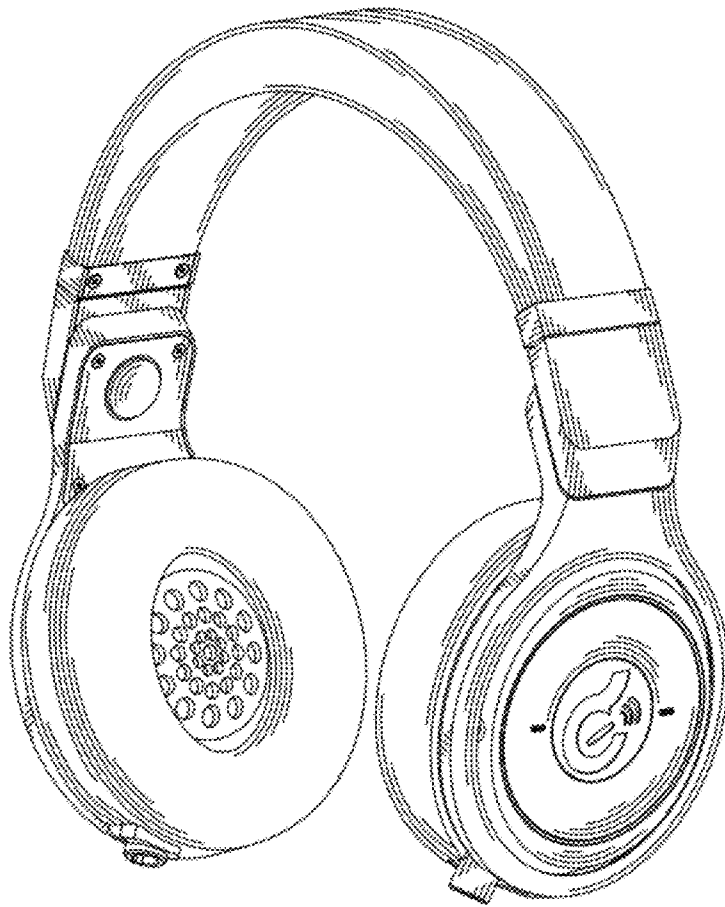


FIG. 1

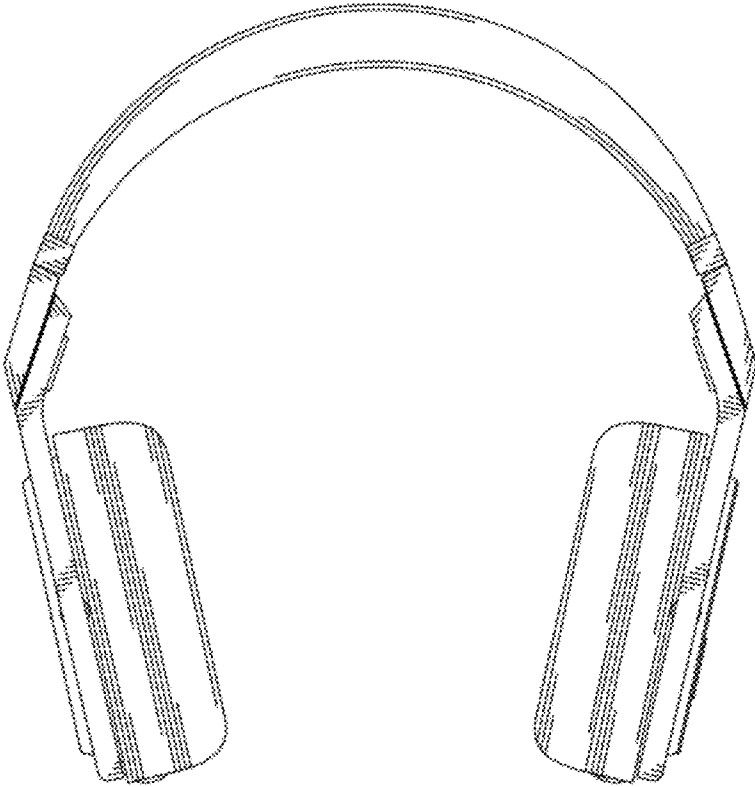


FIG. 2

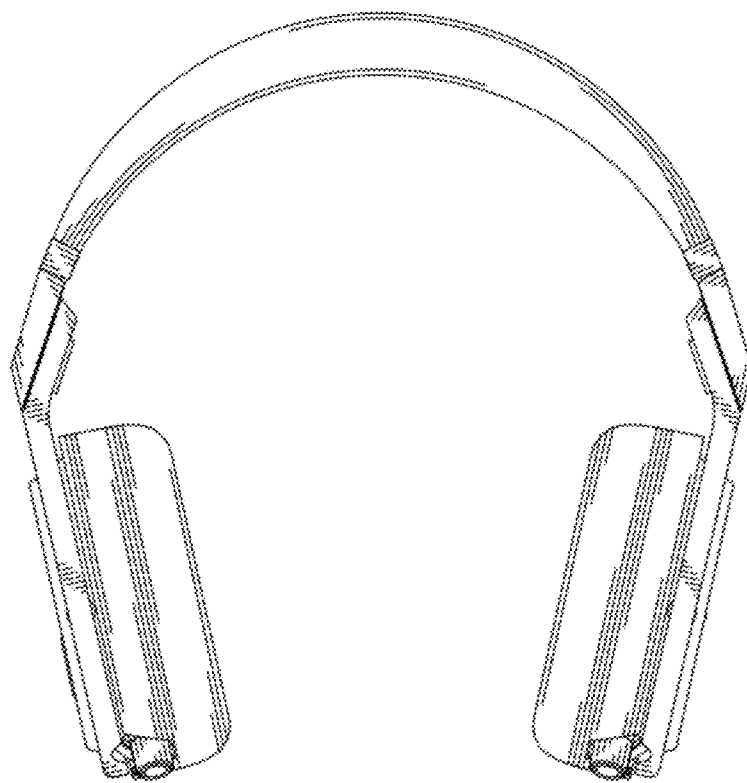


FIG. 3

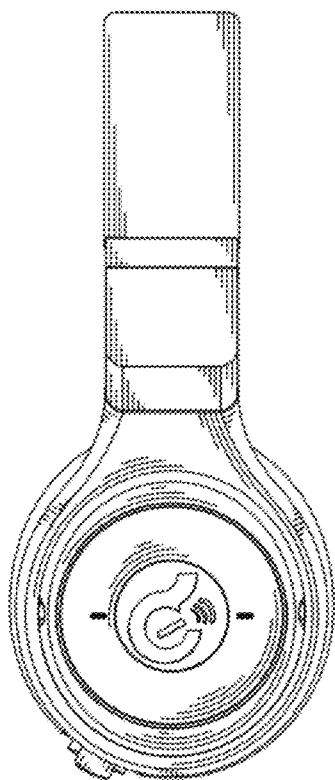


FIG. 4

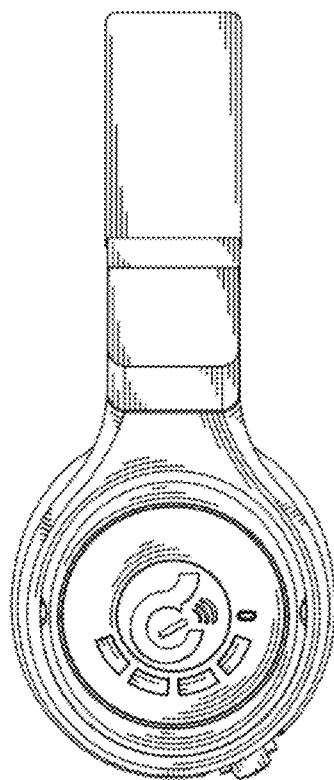


FIG. 5

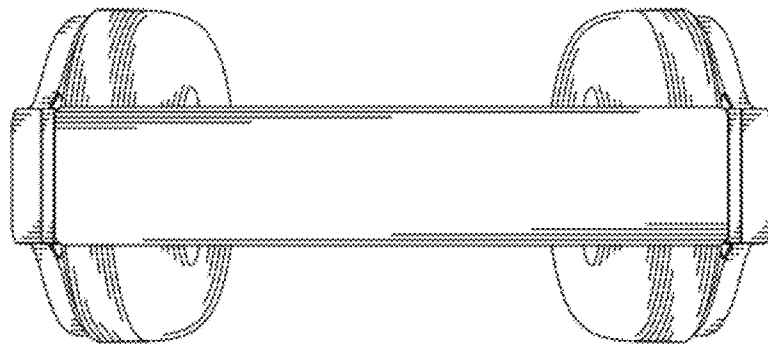


FIG. 6

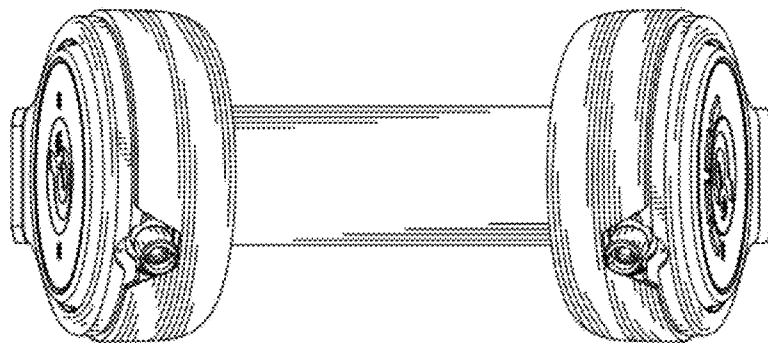


FIG. 7