

[54] **STACKABLE FILE TRAY**

[75] **Inventor: Dale M. Evans, Windsor, Wis.**

[73] **Assignee: Don Evans, Inc., DeForest, Wis.**

[\*\*] **Term: 14 Years**

[21] **Appl. No.: 764,722**

[22] **Filed: Aug. 12, 1985**

[52] **U.S. Cl. .... D19/92**

[58] **Field of Search ..... D19/92; 206/558;  
211/11, 26; 220/22.1, 22.2; 86/557, 503, 509**

[56] **References Cited**

**U.S. PATENT DOCUMENTS**

- D. 220,014 2/1971 Rome et al. .... D19/92
- D. 260,102 4/1981 Evans ..... D19/92

**OTHER PUBLICATIONS**

Highsmith Catalog, p. 75, item #18-523, desk tray.

*Primary Examiner*—Charles A. Rademaker  
*Attorney, Agent, or Firm*—Isaksen, Lathrop, Esch, Hart & Clark

[57] **CLAIM**

The ornamental design for a stackable file tray, as shown and described.

**DESCRIPTION**

FIG. 1 is a perspective view of a stackable file tray showing my new design;

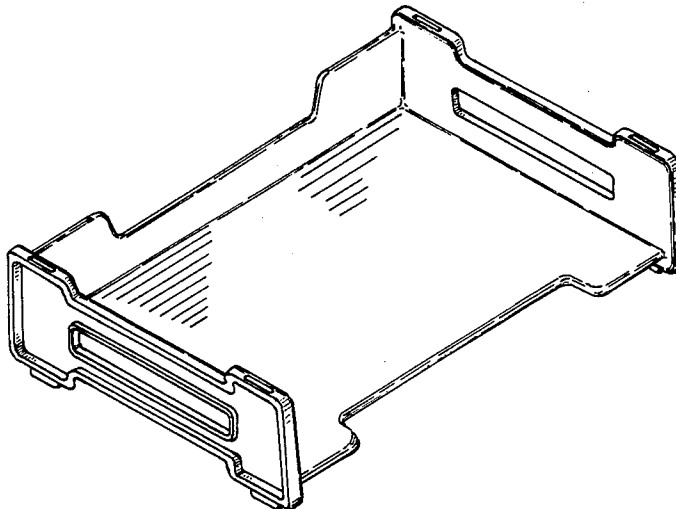
FIG. 2 is a right side elevational view thereof, the side opposite being substantially a mirror image;

FIG. 3 is a bottom plan view thereof;

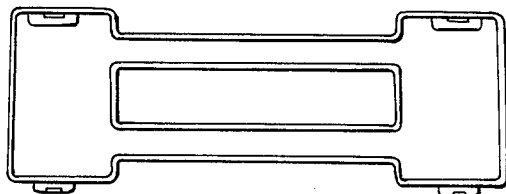
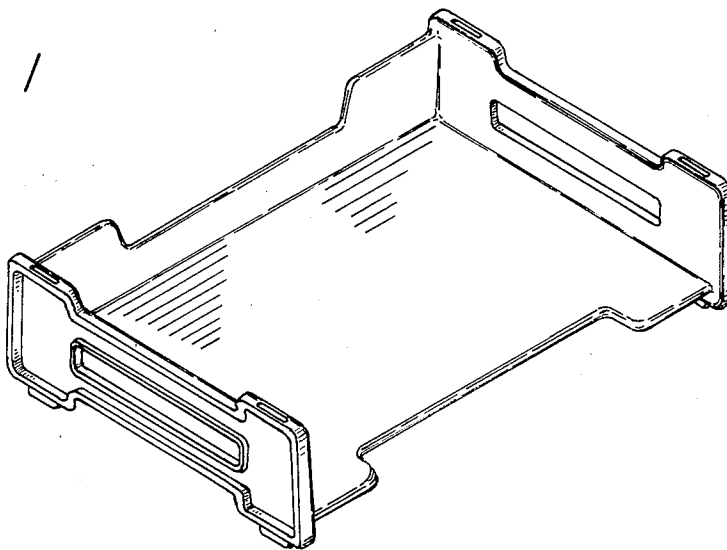
FIG. 4 is a top plan view thereof;

FIG. 5 is a rear elevational view thereof; and

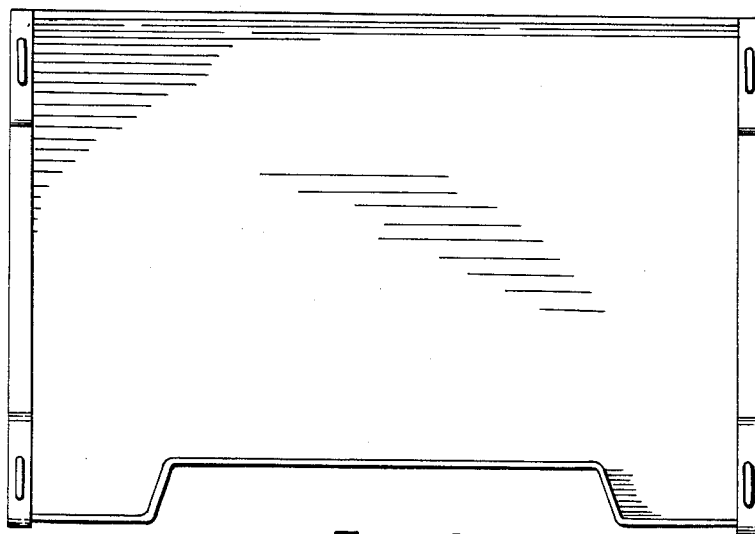
FIG. 6 is a front elevational view thereof.



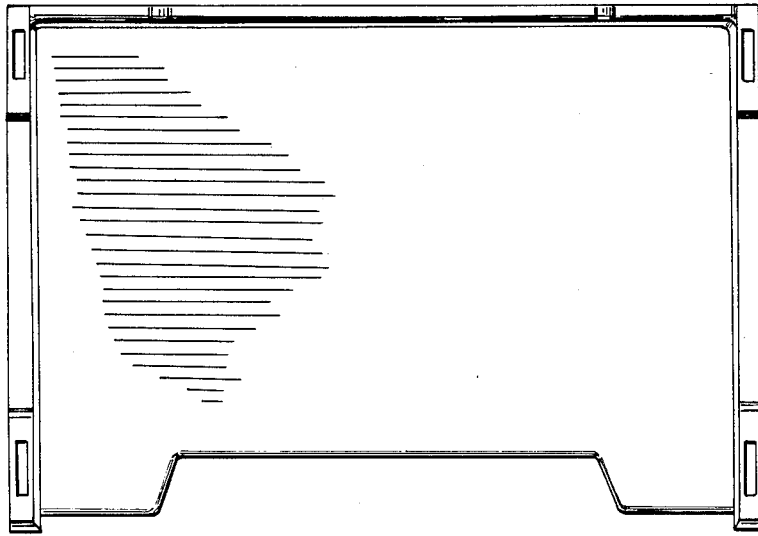
*Fig 1*



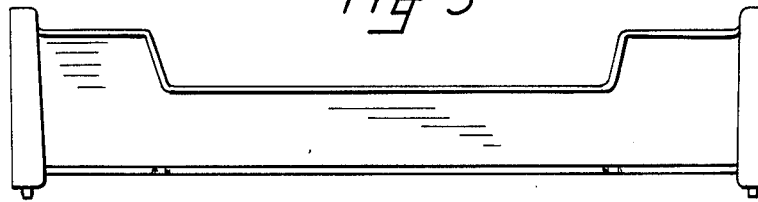
*Fig 2*



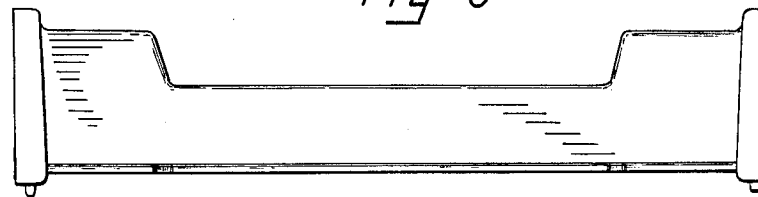
*Fig 3*



*Fig 4*



*Fig 5*



*Fig 6*