



US00D995148S

(12) **United States Design Patent** (10) **Patent No.:** **US D995,148 S**
Oesterle et al. (45) **Date of Patent:** **** Aug. 15, 2023**

(54) TOILET BRUSH	DE	40209054-0004	3/2003
(71) Applicant: HANSGROHE SE , Schiltach (DE)	EM	000088778-0001	3/2004
(72) Inventors: Matthias Oesterle , Winterbach (DE); Marco Flaig , Stuttgart (DE)	EM	000088778-0004	3/2004
(73) Assignee: Hansgrohe SE , Schiltach (DE)	EM	001744665-0003	8/2010
(**) Term: 15 Years	EM	002145581-0006	12/2012
	EM	002200527-0046	5/2013
	GB	6170672	* 10/2021
	WO	D083226-004	4/2014
	WO	D100614-051	4/2018
	WO	WOD215943-007	* 8/2021

OTHER PUBLICATIONS

Wallstoris Toilet Brush Holder, posted Oct. 2021 [online], [retrieved Feb. 1, 2023]. Retrieved from internet, <https://www.hansgrohe-usa.com/article/detail-wallstoris-toilet-brush-holder-27927670> (Year: 2021).*

(Continued)

Primary Examiner — Cynthia Ramirez
Assistant Examiner — Jeremy S. Swartz
(74) *Attorney, Agent, or Firm* — Lora J. Graentzdoerffer

(21) Appl. No.: **29/778,649**
(22) Filed: **Apr. 14, 2021**
(51) **LOC (14) Cl.** **06-13**
(52) **U.S. Cl.**
USPC **D6/551**
(58) **Field of Classification Search**
USPC D6/524, 551; D4/116-118, 121, 122,
D4/127, 128, 130-138; D32/14
CPC A47K 3/001; A47K 11/10; A47K 17/00
See application file for complete search history.

(57) **CLAIM**

The ornamental design for a toilet brush, as shown and described.

(56) **References Cited**

U.S. PATENT DOCUMENTS

D509,961	S	*	9/2005	Petersen-Rutten	D4/121
D905,966	S	*	12/2020	Wen	D4/116
D927,219	S	*	8/2021	Lin	D4/116
D946,927	S	*	3/2022	Wang	D6/551
D949,594	S	*	4/2022	Tian	D4/116
D952,352	S	*	5/2022	Yu	D4/116
D972,310	S	*	12/2022	Cheng	D4/116
2022/0322894	A1	*	10/2022	Deng	A46B 15/0095

FOREIGN PATENT DOCUMENTS

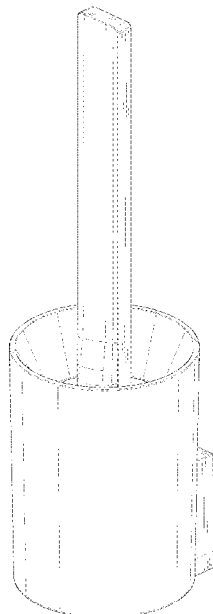
CN	301915788		5/2012
CN	306828852	*	9/2021
CN	307342936	*	5/2022
CN	307707578	*	12/2022

DESCRIPTION

FIG. 1 is a perspective view of a toilet brush showing our design;
FIG. 2 is a front elevational view;
FIG. 3 is a rear elevational view;
FIG. 4 is a side elevational view;
FIG. 5 is a side elevational view;
FIG. 6 is a top plan view; and,
FIG. 7 is a bottom plan view.

The broken-line disclosures in the drawings represent portions of a toilet brush that form no part of the claimed design.

1 Claim, 7 Drawing Sheets



(56)

References Cited

OTHER PUBLICATIONS

Hansgrohe Wallstoris Wall Mounted Toilet Brush, posted unknown [online], [retrieved Feb. 1, 2023]. Retrieved from internet, <https://www.build.com/hansgrohe-27927/s1862289?uid=4402766&searchId=sTlgvAV17n> (Year: 2023).*

BVL Toilet Brush, posted Apr. 12, 2022 [online], [retrieved Feb. 1, 2023]. Retrieved from internet, <https://www.amazon.com/BVL-Toilet-Ceaning-Stainless-Mounted/dp/B09XQD5JBT> (Year: 2022).*

Silicone Toilet Brush with Holder, posted Nov. 8, 2021 [online], [retrieved Feb. 1, 2023]. Retrieved from internet, <https://www.amazon.com/Silicone-Bathroom-Ventilated-Flexible-Mounted-Grey/dp/B09L7YDZDM?th=1> (Year: 2021).*

Refillable Silicone Toilet Brushes, posted Mar. 29, 2022 [online], [retrieved Feb. 1, 2023]. Retrieved from internet, <https://www.amazon.com/Refillable-Silicone-Wall-Mounted-Absorbent-Pad-QIEUUOD/dp/B09M9XMSBJ> (Year: 2022).*

Keffor Toilet Brush and Holder Set, posted unknown [online], [retrieved Feb. 1, 2023]. Retrieved from internet, <https://www.amazon.com/KEFFOR-Silicone-Cleaning-Bathroom-Organization/dp/B0BPX3DM73?th=1> (Year: 2023).*

* cited by examiner

FIG. 1

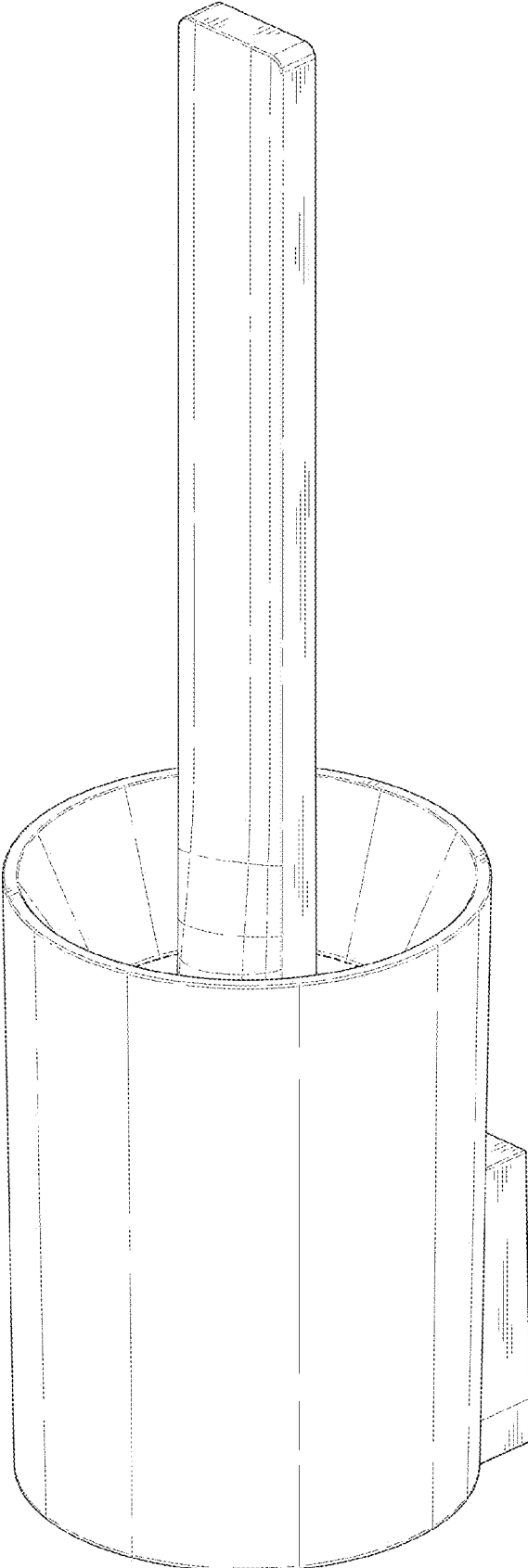


FIG. 2

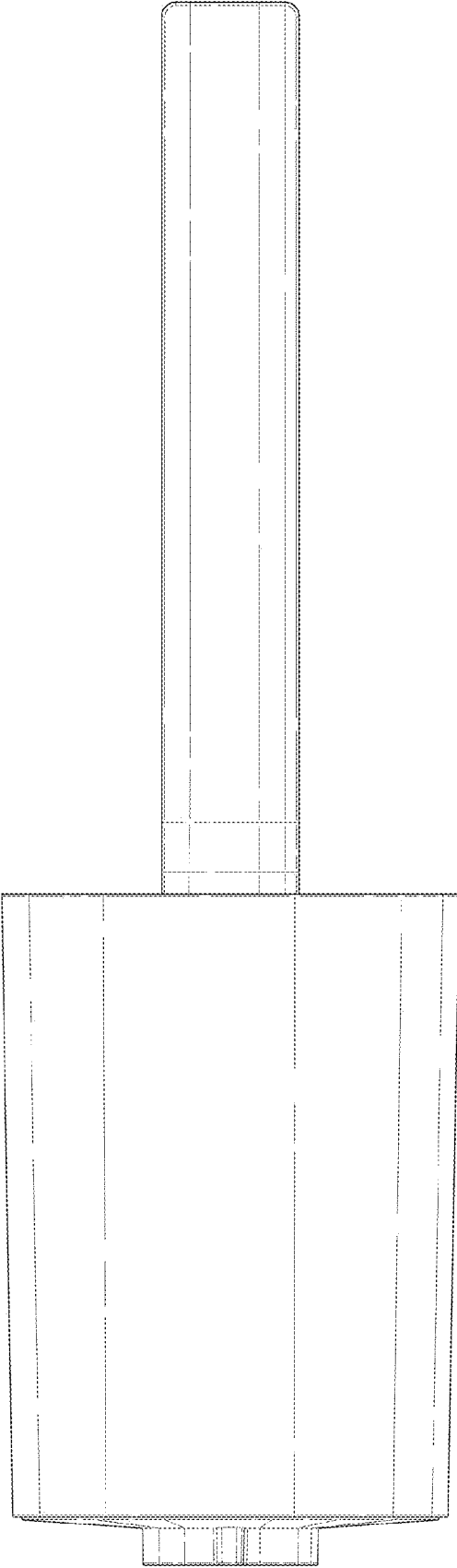


FIG. 3

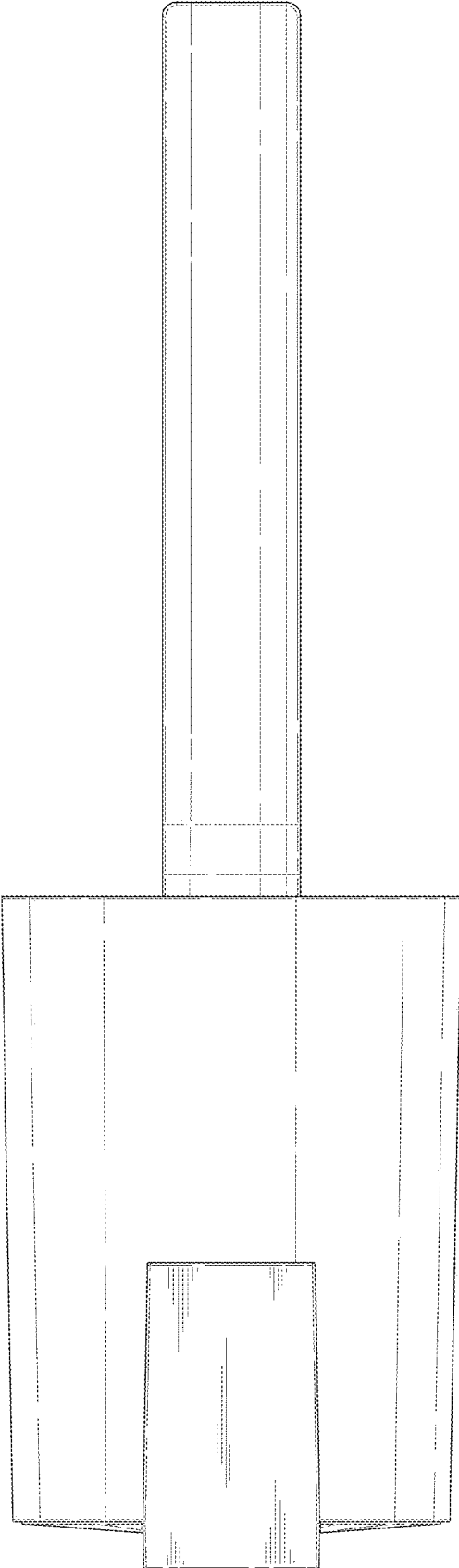


FIG. 4

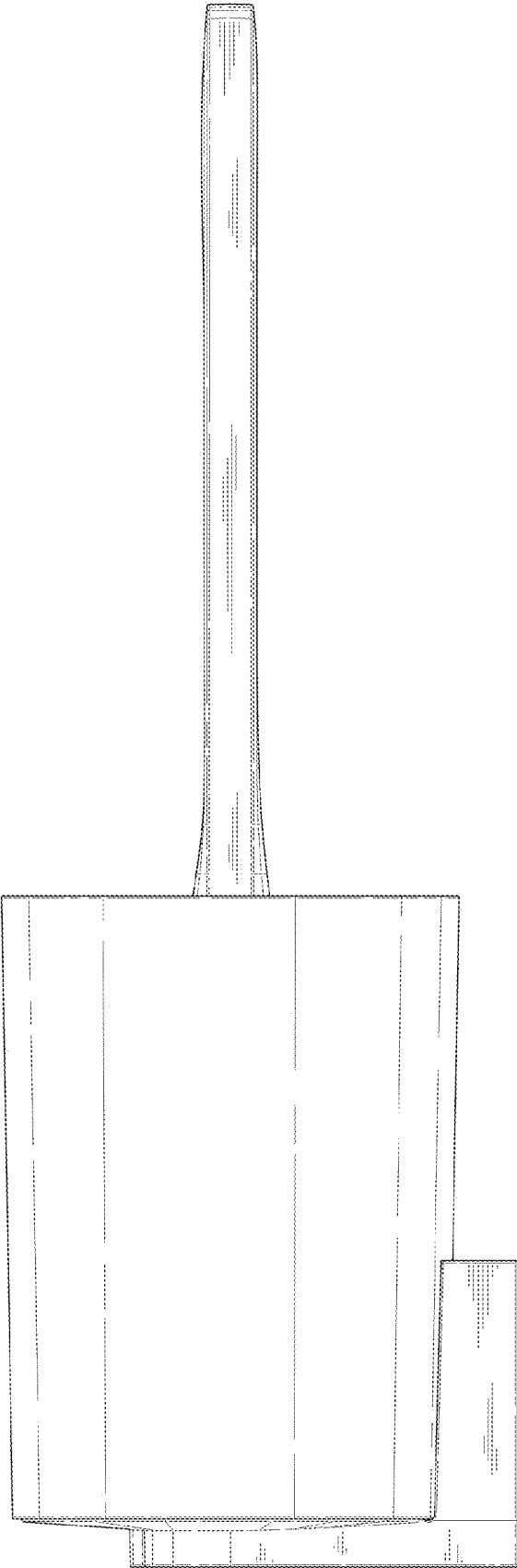


FIG. 5

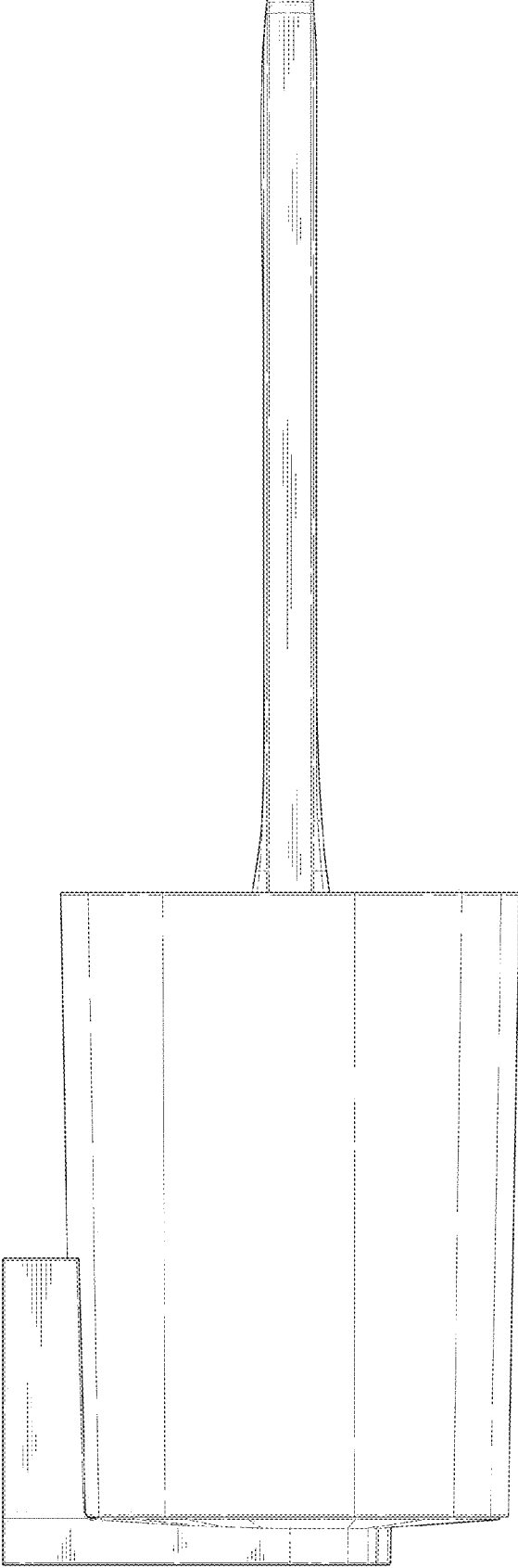


FIG. 6

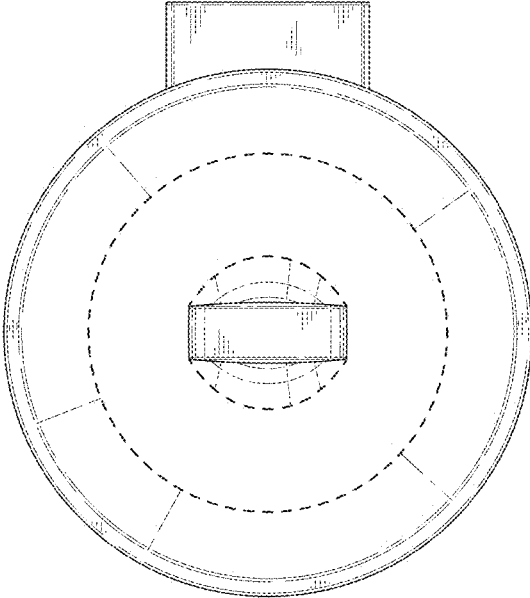


FIG. 7

