



US00D889397S

(12) **United States Design Patent**
Bouman et al.

(10) **Patent No.:** **US D889,397 S**

(45) **Date of Patent:** **** Jul. 7, 2020**

(54) **ELECTRIC VEHICLE CHARGING STATION**

(74) *Attorney, Agent, or Firm* — Taft Stettinius & Hollister LLP; J. Bruce Schelkopf

(71) Applicant: **ABB Schweiz AG**, Baden (CH)

(57) **CLAIM**

(72) Inventors: **Crijn Bouman**, The Hague (NL);
Evelinde Van Dorp, Le Delft (NL);
Robert Bruining, Amsterdam (NL);
Rolf Bilderbeek, Utrecht (NL); **Werner Marinelli**, Eindhoven (NL)

The ornamental design for an electric vehicle charging station, as shown and described.

(73) Assignee: **ABB Schweiz AG**, Baden (CH)

DESCRIPTION

(**) Term: **15 Years**

FIG. 1 is a front side perspective view of a first embodiment of an electric vehicle charging station.

(21) Appl. No.: **29/637,678**

FIG. 2 is a front side view of the electric vehicle charging station shown in FIG. 1.

(22) Filed: **Feb. 21, 2018**

FIG. 3 is a back side view of the electric vehicle charging station shown in FIG. 1.

(30) **Foreign Application Priority Data**

Aug. 21, 2017 (NL) 00 415 7220

FIG. 4 is a right side view of the electric vehicle charging station shown in FIG. 1.

(51) **LOC (12) Cl.** **13-02**

FIG. 5 is a left side view of the electric vehicle charging station shown in FIG. 1.

(52) **U.S. Cl.**

USPC **D13/107**; D14/307

FIG. 6 is a top side view of the electric vehicle charging station shown in FIG. 1.

(58) **Field of Classification Search**

USPC D13/103–110, 162–164; D15/9.1, 9.2;

FIG. 7 is a bottom side view of the electric vehicle charging station shown in FIG. 1.

D25/16; D14/307, 900–901, 129, 126,

FIG. 8 is a front side perspective view of a second embodiment of an electric vehicle charging station.

D14/133, 302, 127; D99/28, 43;

FIG. 9 is a front side view of the electric vehicle charging station shown in FIG. 8.

D16/214, 215; D20/1, 10

FIG. 10 is a back side view of the electric vehicle charging station shown in FIG. 8.

CPC B60L 53/31; G07F 15/003; G07F 15/005;

FIG. 11 is a right side view of the electric vehicle charging station shown in FIG. 8.

H02J 7/0042

See application file for complete search history.

FIG. 12 is a left side view of the electric vehicle charging station shown in FIG. 8.

(56) **References Cited**

U.S. PATENT DOCUMENTS

D220,975 S * 6/1971 Peot D20/1
D342,525 S * 12/1993 Bloemen D15/9.1
D676,376 S * 2/2013 Yamada D13/107
D778,818 S * 2/2017 Bruining D13/107
D782,467 S * 3/2017 Bladwell D14/307

FIG. 13 is a top side view of the electric vehicle charging station shown in FIG. 8; and,

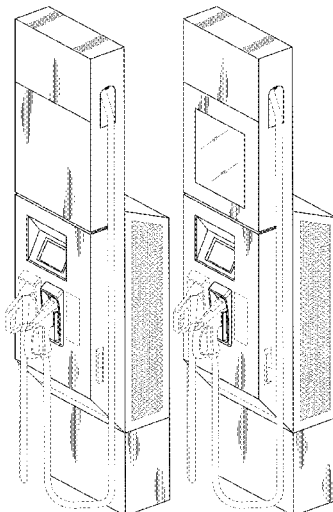
FIG. 14 is a bottom side view of the electric vehicle charging station shown in FIG. 8.

(Continued)

The broken lines shown in the figures are for the purpose of illustrating portions of the electric vehicle charging station that form no part of the claimed design.

Primary Examiner — Brett Miller

1 Claim, 12 Drawing Sheets



(56)

References Cited

U.S. PATENT DOCUMENTS

D828,405	S	*	9/2018	Lee	D15/9.1
D839,529	S	*	1/2019	Nelson	D99/28
D842,239	S	*	3/2019	Bruining	D13/107
D848,365	S	*	5/2019	Yang	D13/107
D864,299	S	*	10/2019	Santander	D20/1
D872,179	S	*	1/2020	Santander	D20/1
2013/0187599	A1	*	7/2013	Ranga	B60L 53/31 320/109

* cited by examiner

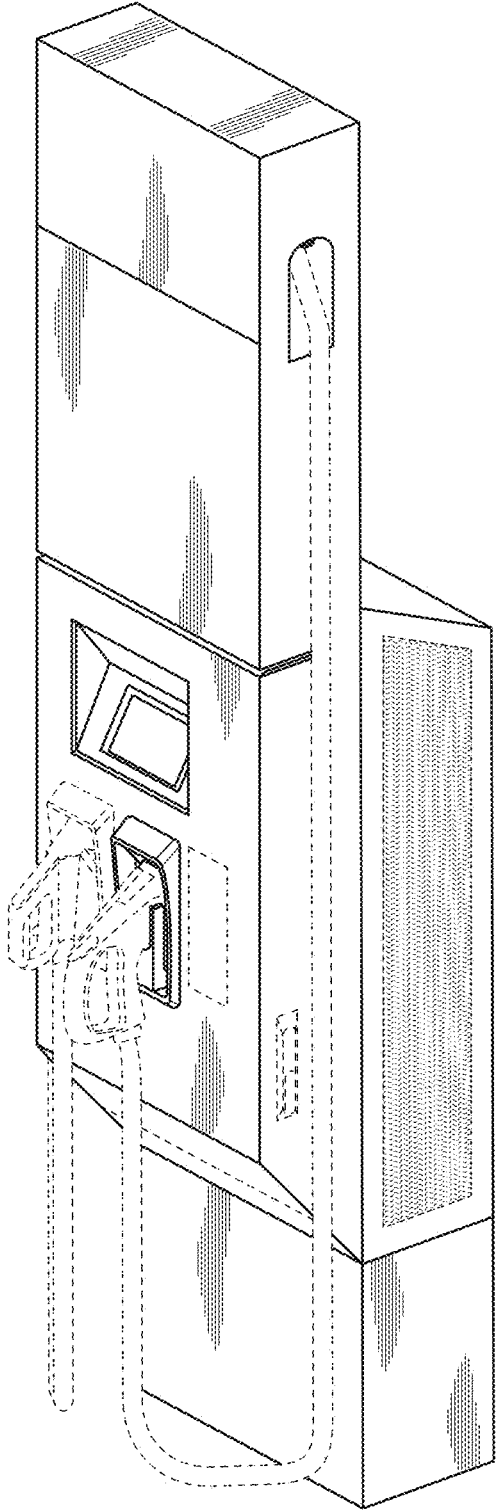


FIGURE 1

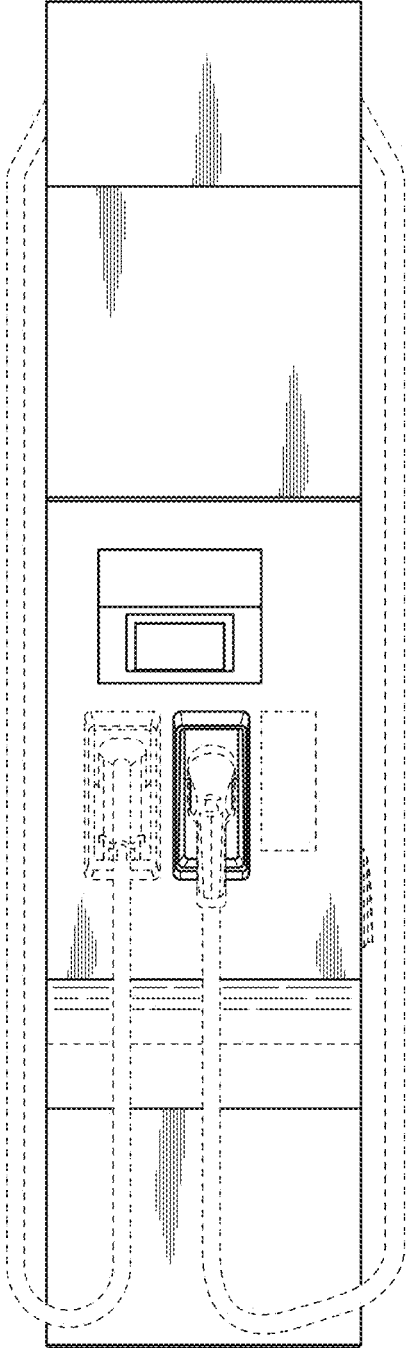


FIGURE 2

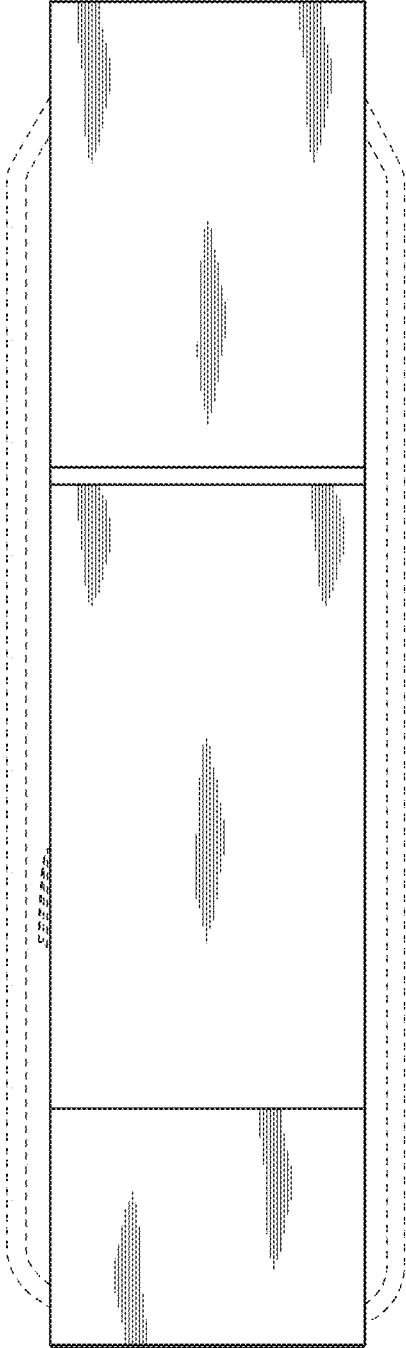


FIGURE 3

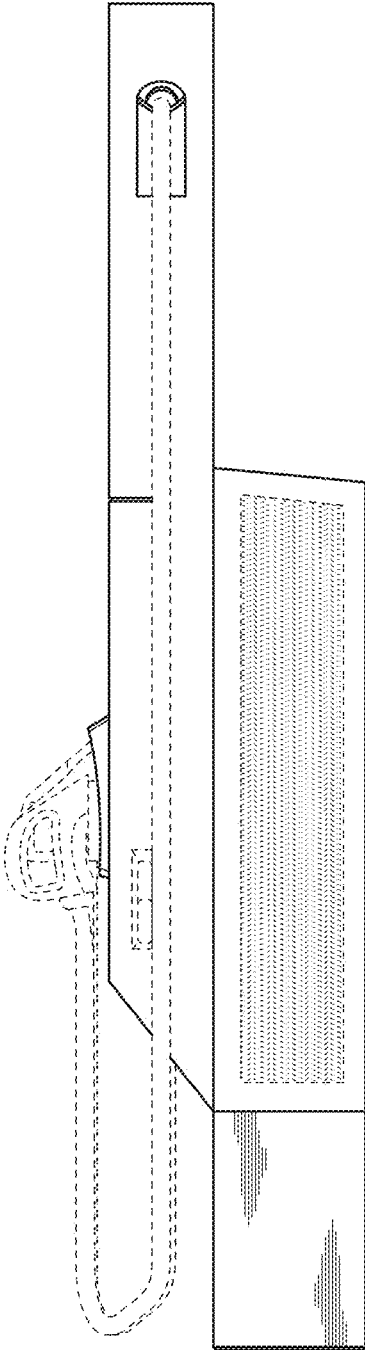


FIGURE 4

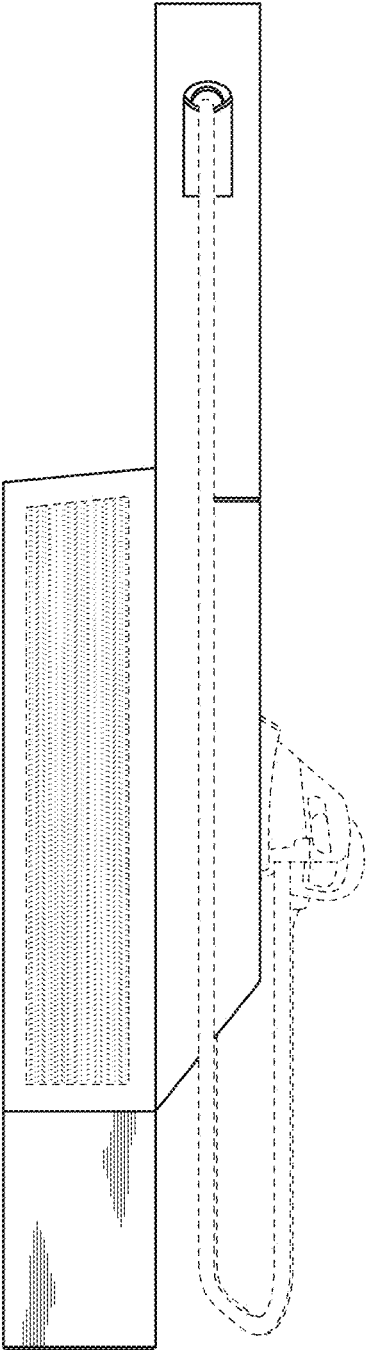


FIGURE 5

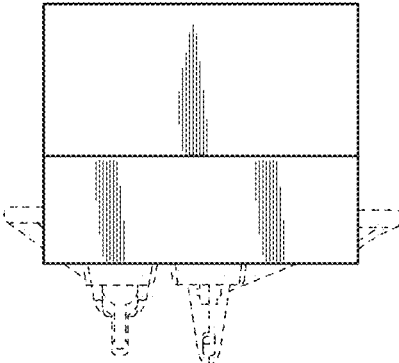


FIGURE 6

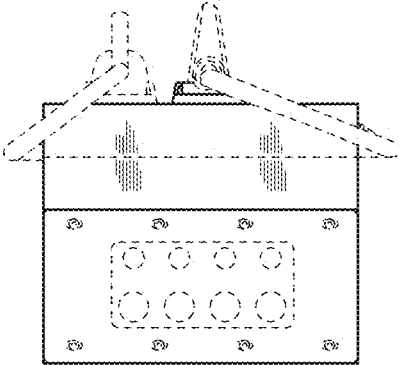


FIGURE 7

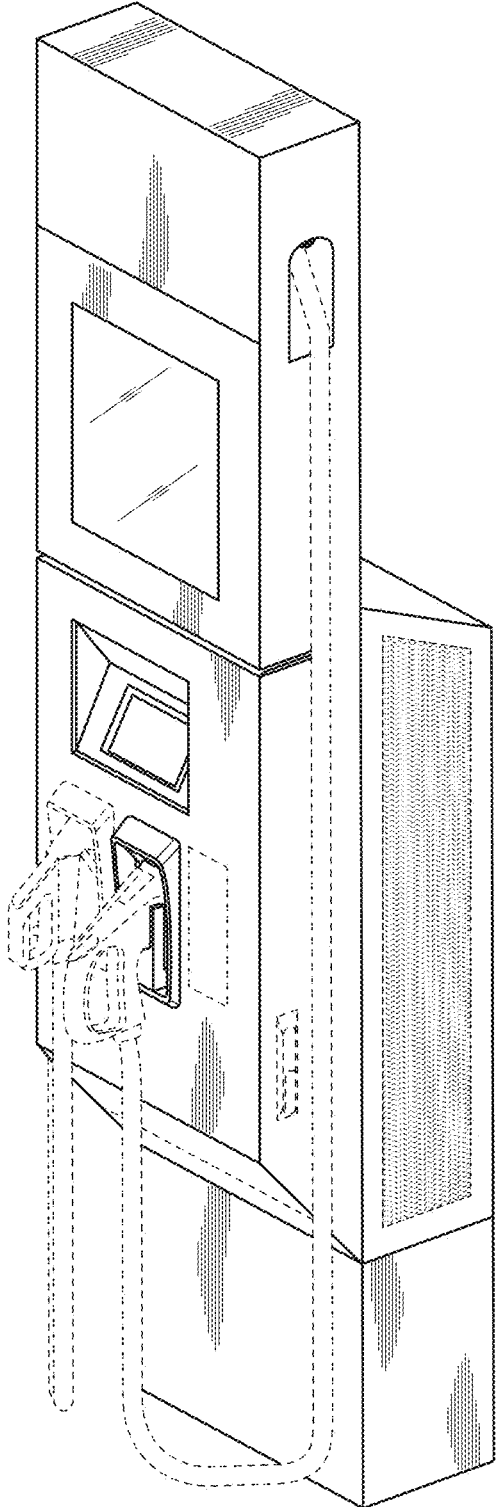


FIGURE 8

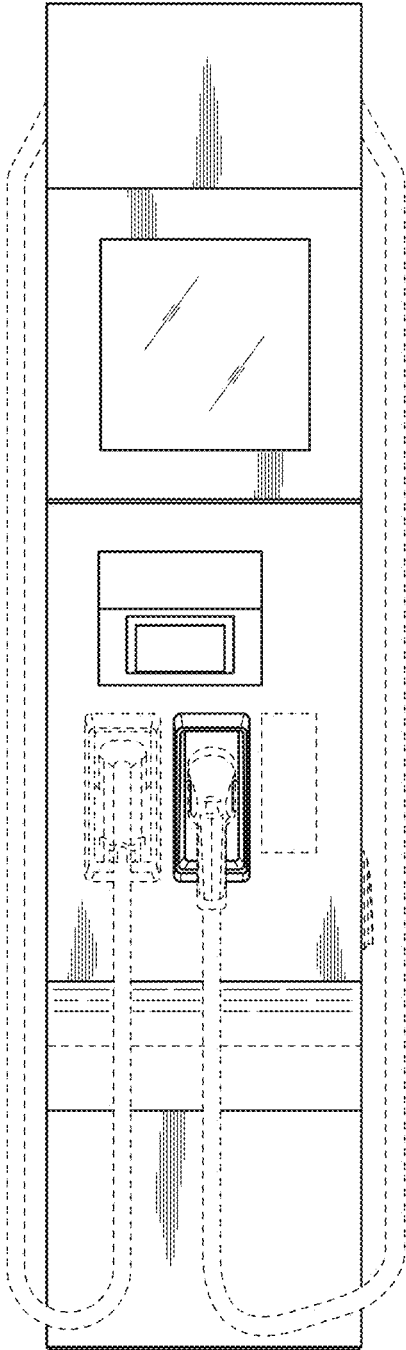


FIGURE 9

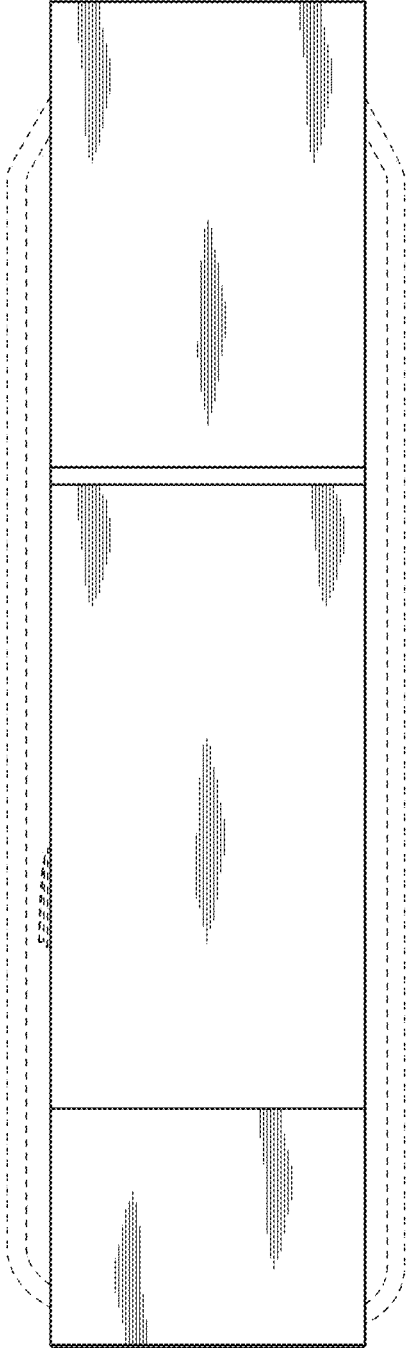


FIGURE 10

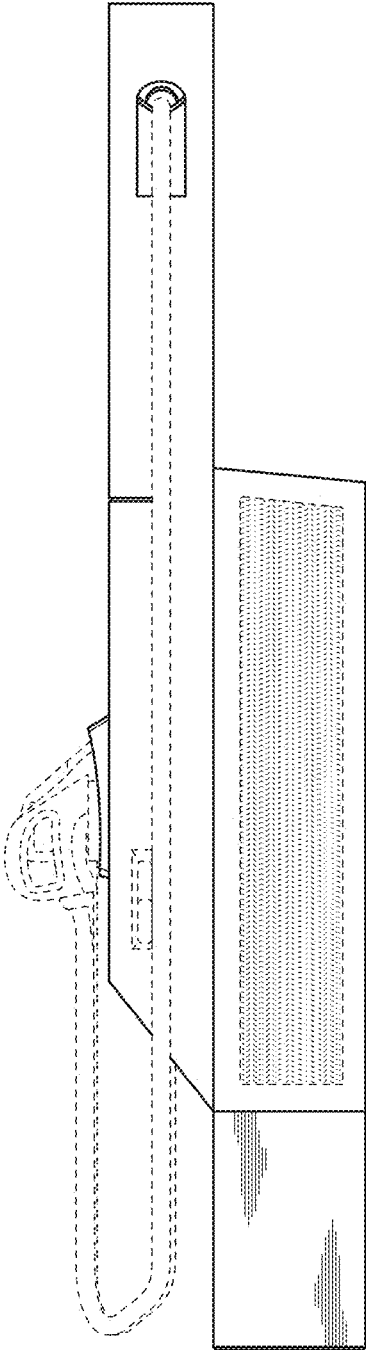


FIGURE 11

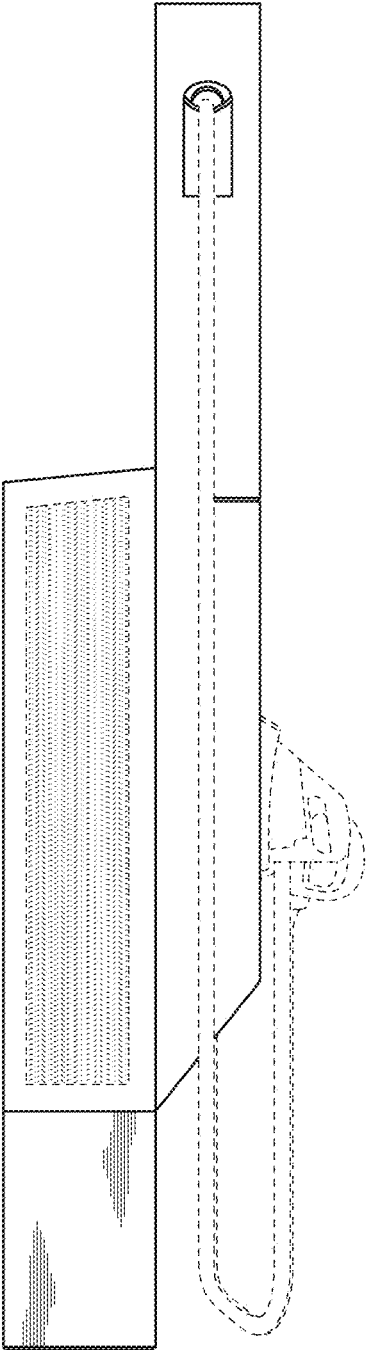


FIGURE 12

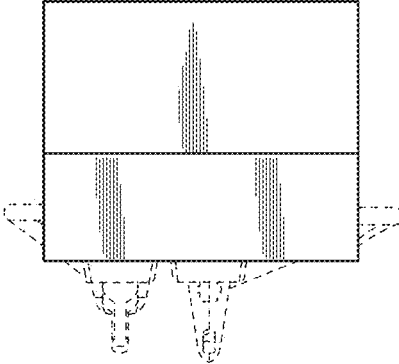


FIGURE 13

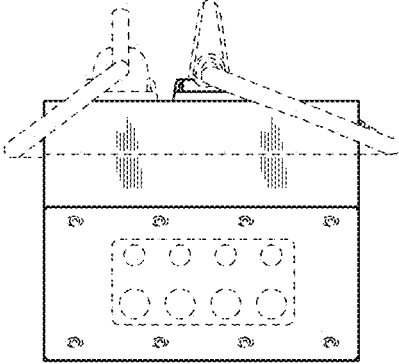


FIGURE 14