



(12) **United States Design Patent**  
**Tollefsbol et al.**

(10) **Patent No.:** **US D793,074 S**  
(45) **Date of Patent:** **\*\* Aug. 1, 2017**

- (54) **PROTECTIVE CASE FOR ELECTRONICS**
- (71) Applicant: **Transtector Systems, Inc.**, Hayden, ID (US)
- (72) Inventors: **Trevor Orion Tollefsbol**, Coeur d'Alene, ID (US); **Eric Nguyen**, Coeur d'Alene, ID (US); **Jonah Griffith**, Seattle, WA (US); **Phelan Miller**, Seward, AK (US)
- (73) Assignee: **Transtector Systems, Inc.**, Hayden, ID (US)
- (\*\*) Term: **15 Years**
- (21) Appl. No.: **29/565,346**
- (22) Filed: **May 19, 2016**

D457,374 S *	5/2002	Lee .....	D3/201
D464,196 S *	10/2002	Parker .....	D3/201
D465,330 S *	11/2002	Parker .....	D3/201
D467,425 S *	12/2002	Hardigg .....	D3/276
D467,426 S *	12/2002	Hardigg .....	D3/276
6,955,381 B2 *	10/2005	Parker .....	A45C 13/1084 292/113
D516,309 S *	3/2006	Richardson .....	D3/273
D520,237 S *	5/2006	Cheng .....	D3/276
D523,242 S *	6/2006	Hardigg .....	D3/276
D526,483 S *	8/2006	Lay .....	D3/282
D543,700 S *	6/2007	Parker .....	D14/315
D569,103 S *	5/2008	Hoge .....	D3/273
D576,785 S *	9/2008	TerMeer .....	D3/201
D577,904 S *	10/2008	Sasaki .....	D3/201

(Continued)

*Primary Examiner* — John Windmuller  
*Assistant Examiner* — Steven Czyz  
(74) *Attorney, Agent, or Firm* — Snell & Wilmer LLP

**Related U.S. Application Data**

- (63) Continuation of application No. 29/529,587, filed on Jun. 9, 2015, now Pat. No. Des. 756,626.
- (51) **LOC (10) Cl.** ..... **03-01**
- (52) **U.S. Cl.**  
USPC ..... **D3/201**
- (58) **Field of Classification Search**  
USPC ..... D3/201, 276, 203.6, 263, 267, 282, 294;  
D6/631–634  
CPC ..... A45C 3/02; A45C 13/20; A45C 7/0022;  
A45C 13/262; B25H 3/02  
See application file for complete search history.

**References Cited**

**U.S. PATENT DOCUMENTS**

D275,822 S *	10/1984	Gatland .....	D3/282
D356,891 S *	4/1995	Hobson .....	D3/201
D369,901 S *	5/1996	Laube .....	D3/201
D439,407 S *	3/2001	Parker .....	D3/276
D441,954 S *	5/2001	Parker .....	D3/273

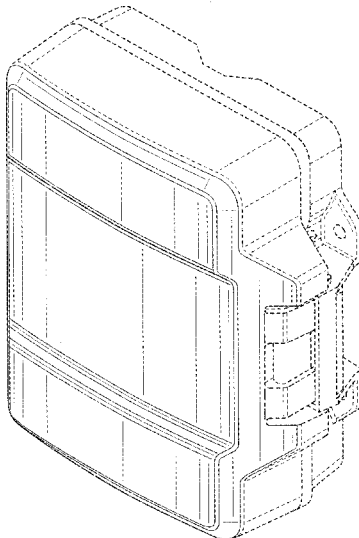
(57) **CLAIM**

We claim the ornamental design for a protective case for electronics, as shown and described.

**DESCRIPTION**

FIG. 1 is a front perspective view of a protective case for electronics showing our new design; FIG. 2 is a front view of the protective case; FIG. 3 is a rear view of the protective case; FIG. 4 is a left side view of the protective case; FIG. 5 is a right side view of the protective case; FIG. 6 is a top view of the protective case; and, FIG. 7 is a bottom view of the protective case. The broken lines in the FIGURES depict the environment related to the claimed design and portions of the protective case for electronics that form no part of the claimed design. The dash-dot-dash broken lines in the FIGURES show boundary lines defining the bounds of the claim. The unshaded surfaces bounded by the broken lines form no part of the claimed design.

**1 Claim, 6 Drawing Sheets**



(56)

**References Cited**

## U.S. PATENT DOCUMENTS

D627,165	S *	11/2010	Habersetzer .....	D3/284
D636,993	S *	5/2011	Okuda .....	D3/276
8,526,180	B2 *	9/2013	Rayner .....	G06F 1/1626 206/320
D690,703	S *	10/2013	Welch .....	D14/440
D712,137	S *	9/2014	Hsu .....	D3/228
D715,052	S *	10/2014	Fair .....	D3/301
D717,287	S *	11/2014	Macrina .....	D14/250
D733,429	S *	7/2015	Grenier .....	D3/294
D733,714	S *	7/2015	Ballou .....	D14/440
D752,862	S *	4/2016	Riddiford .....	D3/272
D756,626	S *	5/2016	Tollefsbol .....	D3/201
D758,064	S *	6/2016	Zwetzig .....	D3/201
D758,065	S *	6/2016	Zwetzig .....	D3/201
D759,971	S *	6/2016	Riddiford .....	D3/279
9,408,460	B2 *	8/2016	Patstone .....	A45C 9/00
2003/0080124	A1 *	5/2003	Parker .....	A45C 13/008 220/4.21

\* cited by examiner

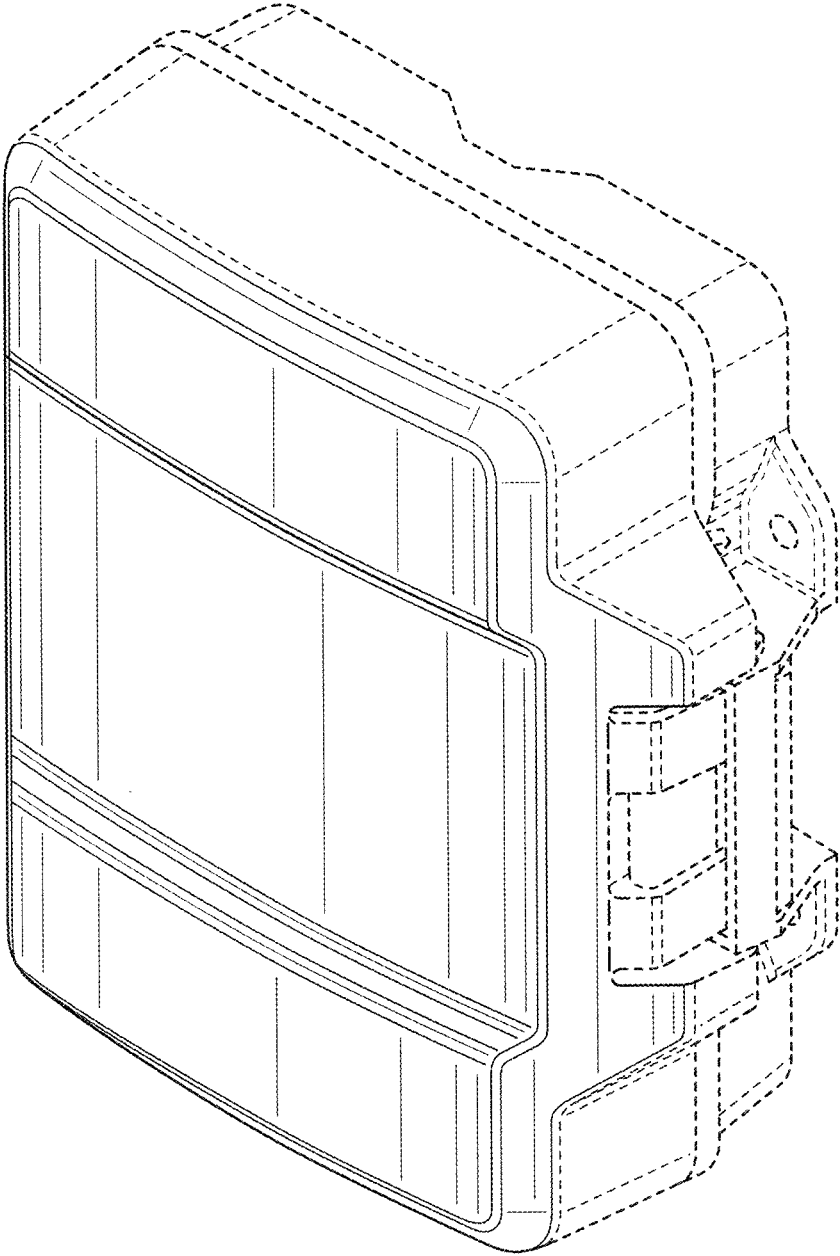


FIG. 1

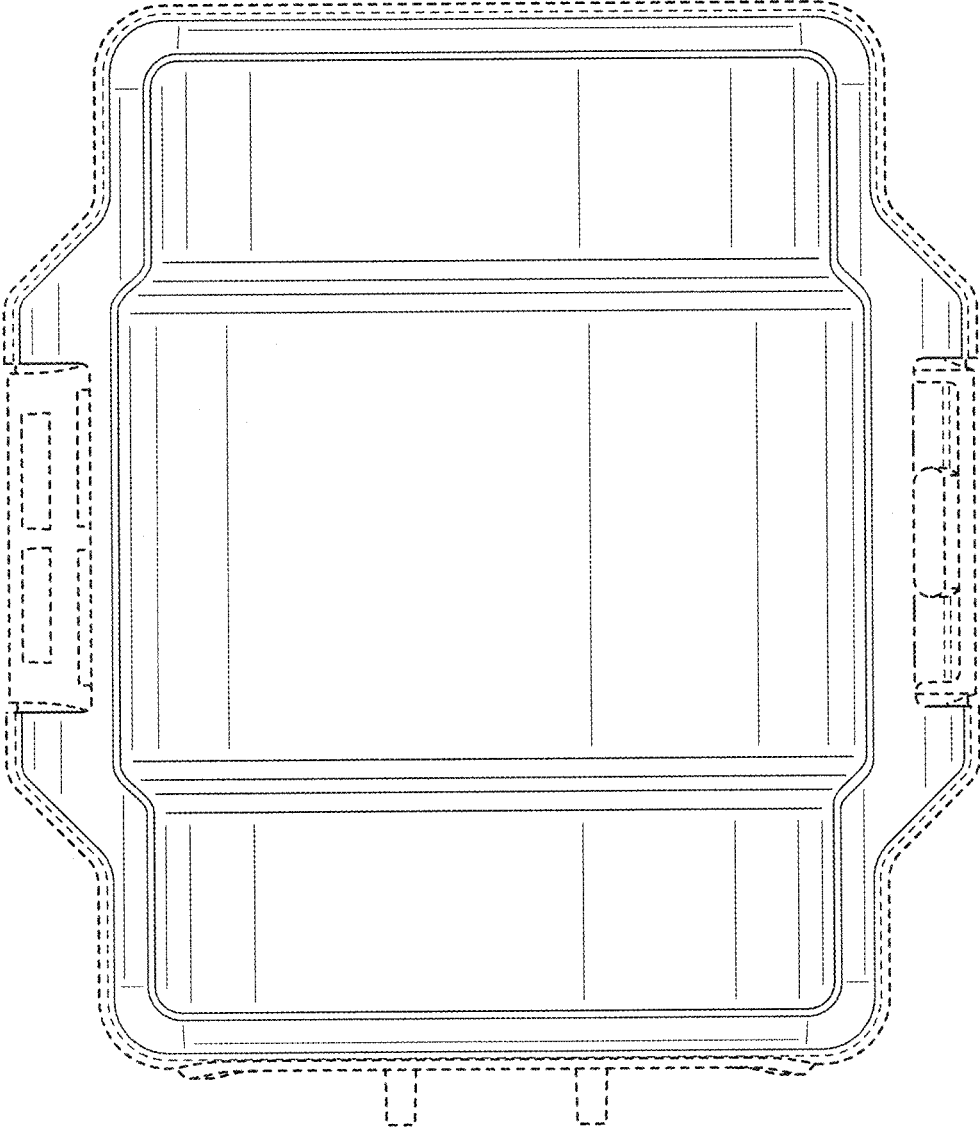


FIG. 2

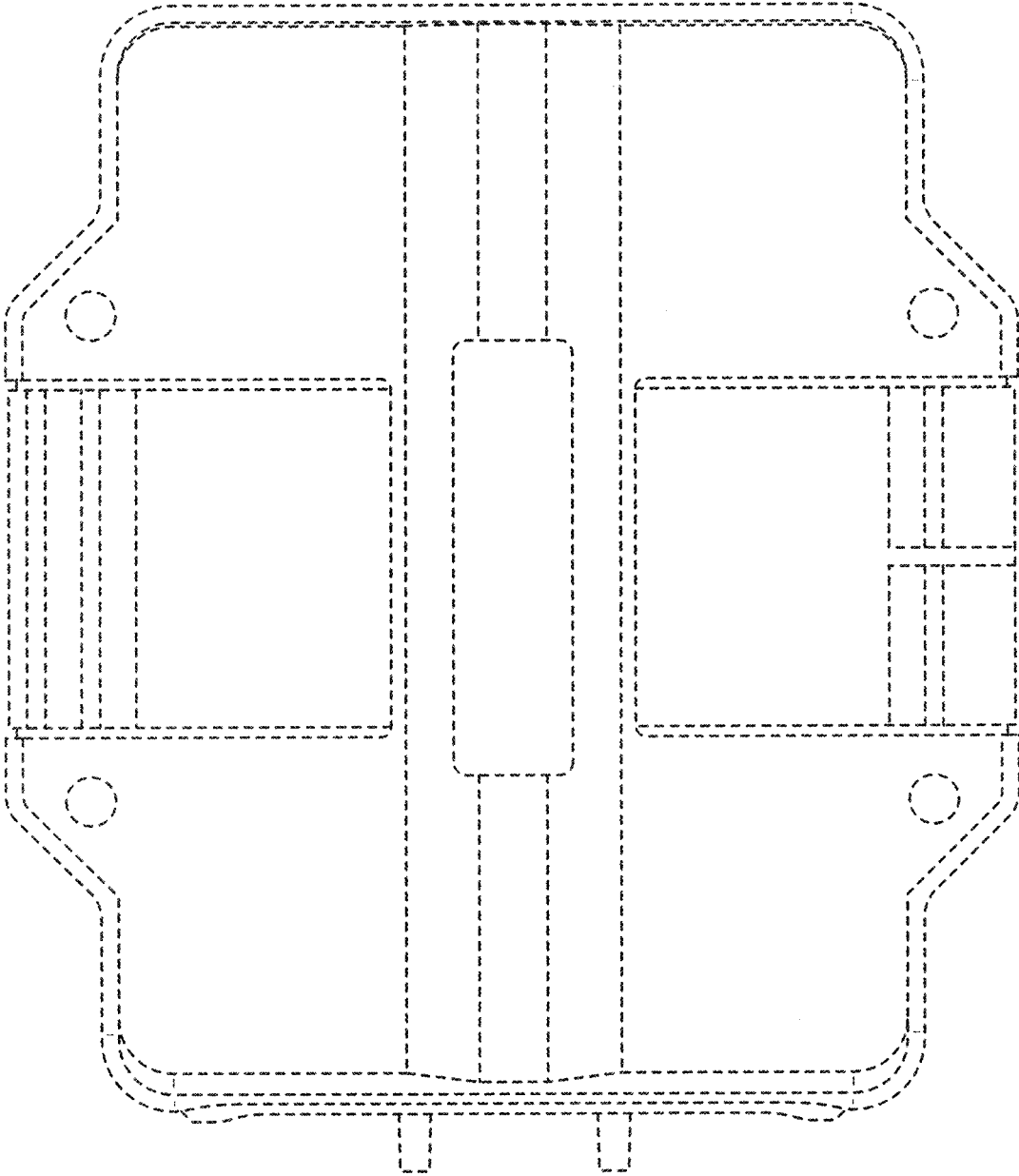


FIG. 3

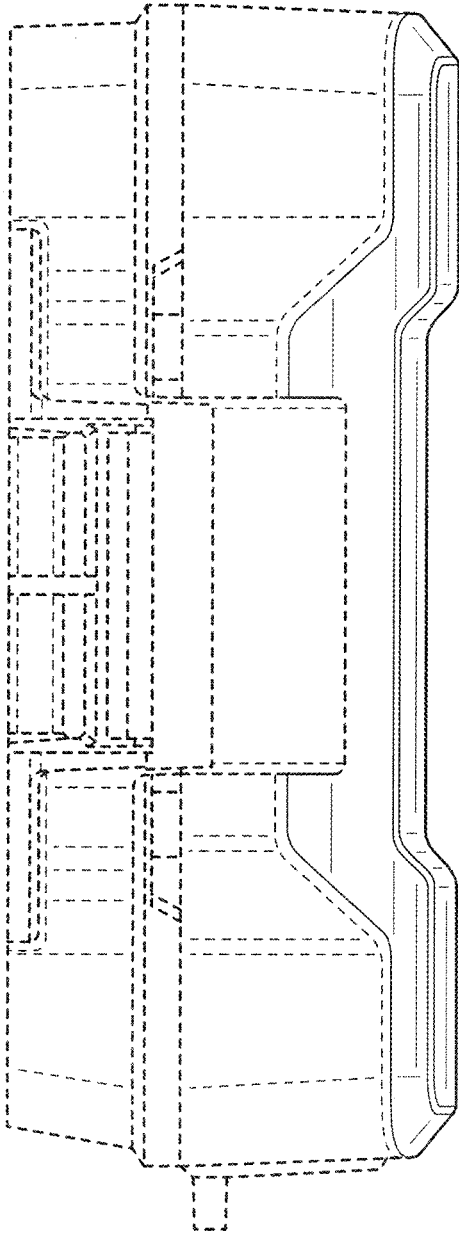


FIG. 4

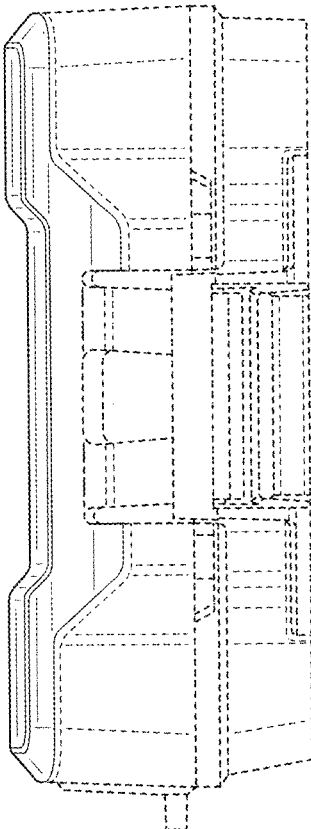


FIG. 5

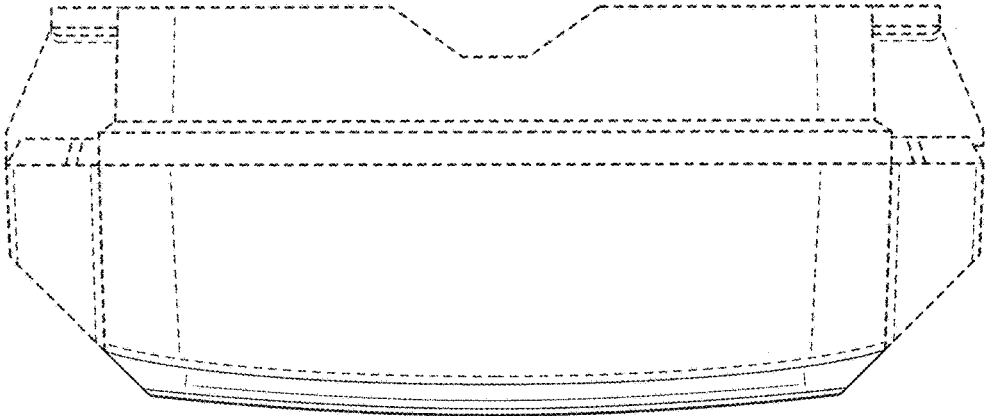


FIG. 6

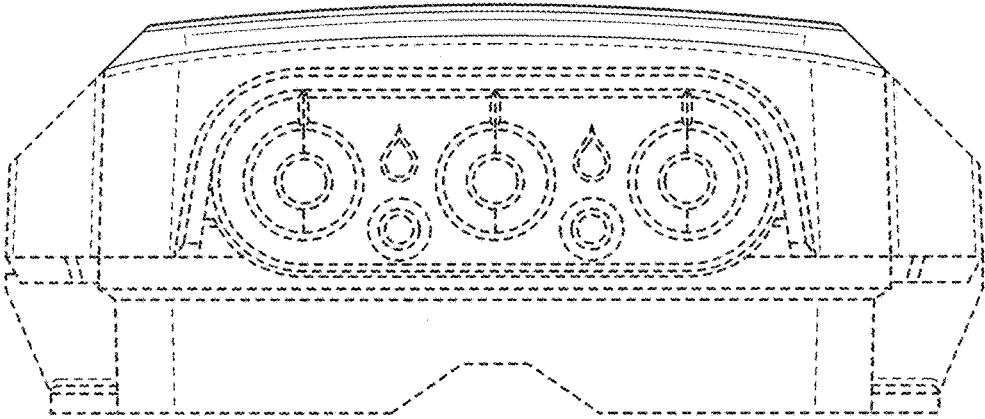


FIG. 7