



US00D344320S

United States Patent [19]

[11] Patent Number: **Des. 344,320**

Zepp

[45] Date of Patent: **** Feb. 15, 1994**

[54] **INSECT SWATTER**

[76] Inventor: **Donald A. Zepp**, R.R. 4, Box 33
Golfclub Rd., Sewell, N.J. 08080

3,871,336 3/1975 Bergman .
4,787,171 11/1988 Dagenais 43/137
4,905,408 3/1990 Wu 43/137

[**] Term: **14 Years**

FOREIGN PATENT DOCUMENTS

[21] Appl. No.: **683,654**

555255 3/1957 Belgium .
458518 12/1936 United Kingdom .

[22] Filed: **Apr. 11, 1991**

[52] U.S. Cl. **D22/124**

[58] Field of Search 43/137, 136; D22/122,
D22/124; D21/213

Primary Examiner—A. Hugo Word
Assistant Examiner—Doris V. Coles
Attorney, Agent, or Firm—Terry M. Gernstein

[57] **CLAIM**

The ornamental design for an insect swatter, as shown and described.

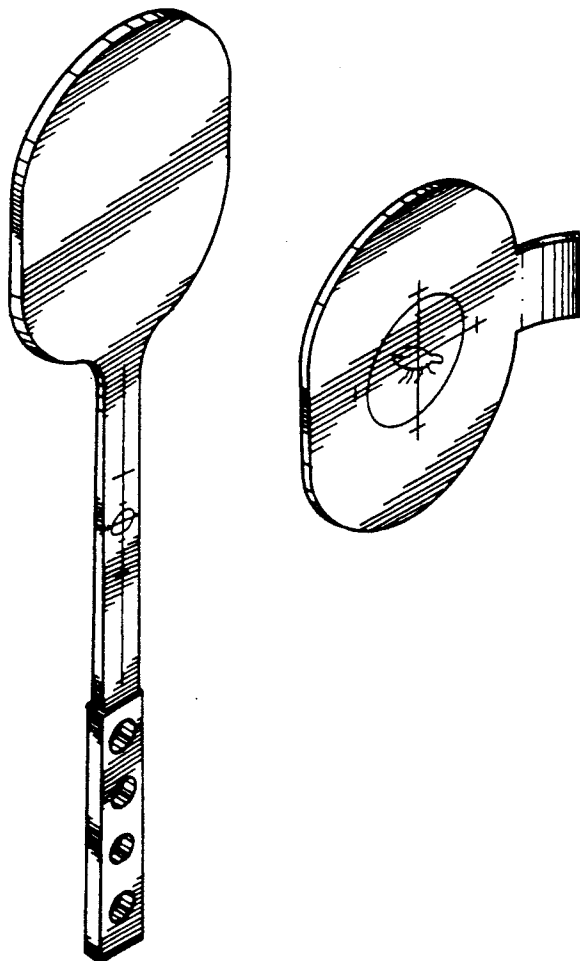
[56] **References Cited**

U.S. PATENT DOCUMENTS

D. 064,894	6/1924	Fitzgerald	D21/212 X
D. 238,189	12/1975	Doria	.	
D. 247,058	1/1978	Clowes	D21/213
D. 253,852	1/1980	Zajitz	.	
D. 297,577	9/1988	Tozawa	.	
542,464	7/1895	Chase	43/137
884,213	4/1908	Schmidt	43/137 X
1,888,563	11/1932	Nixon	43/136
1,961,473	6/1934	Baltzley	D21/213 X

DESCRIPTION

FIG. 1 is an exploded perspective view of the insect swatter embodying the design of the present invention; FIG. 2 is a side elevational view thereof; FIG. 3 is a side elevational view thereof; FIG. 4 is a front elevational view thereof; FIG. 5 is a rear elevational view thereof; FIG. 6 is a top plan view thereof; and, FIG. 7 is a bottom view thereof.



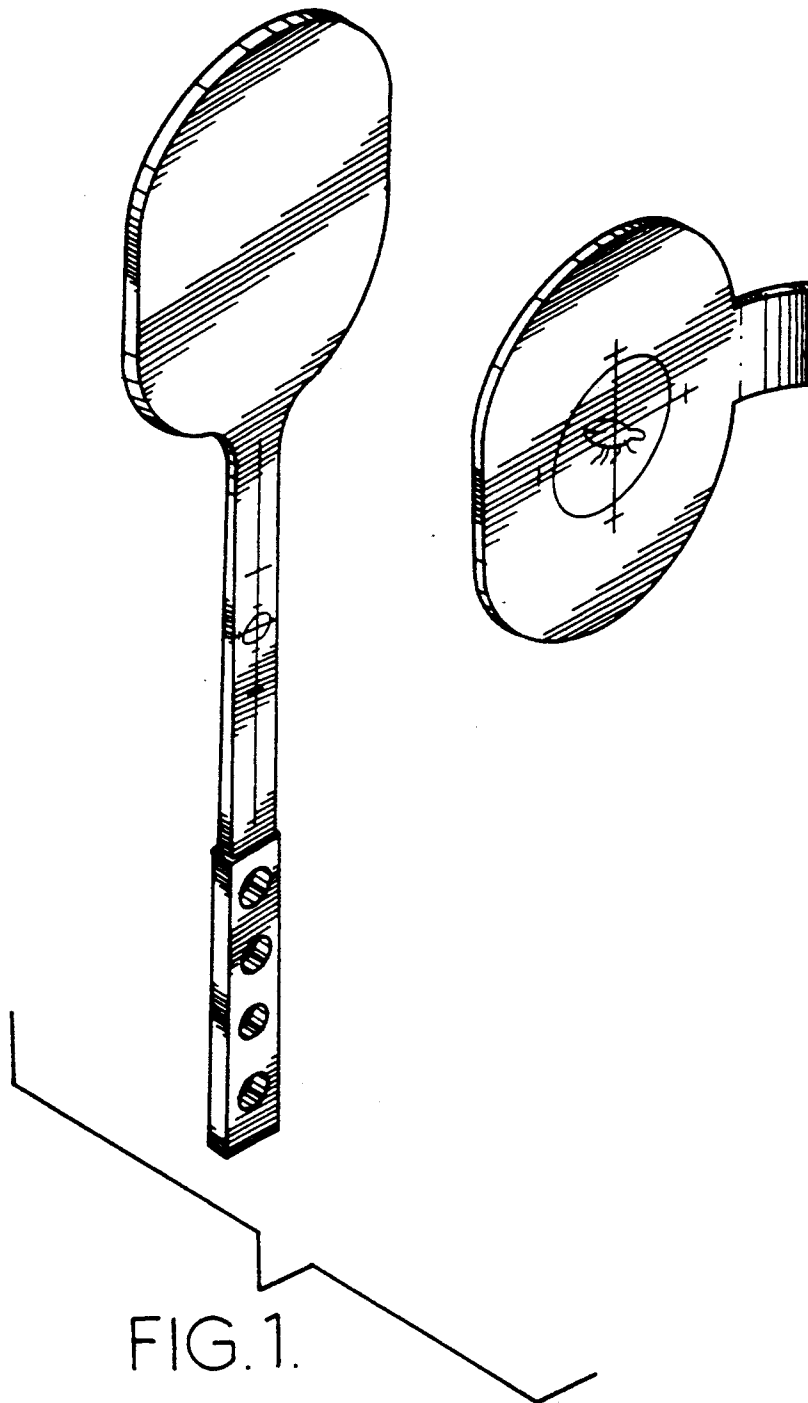


FIG. 1.



FIG. 2.



FIG. 3.

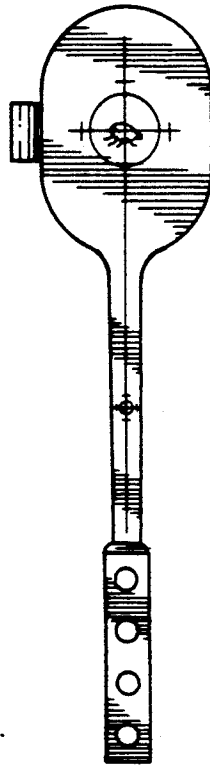


FIG. 4.

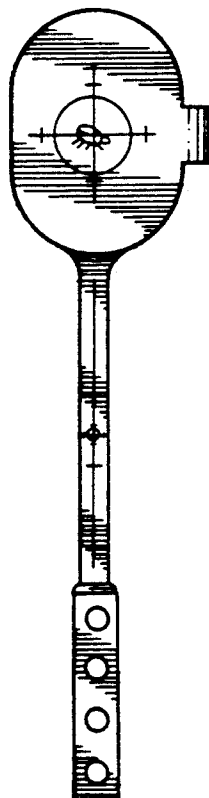


FIG. 5.

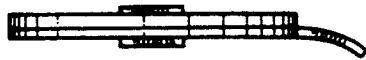


FIG. 6.

FIG. 7.

