



US00D833659S

(12) **United States Design Patent** (10) **Patent No.:** **US D833,659 S**
Lee et al. (45) **Date of Patent:** **** Nov. 13, 2018**

(54) **HEAD LAMP FOR AN AUTOMOBILE** 8/033; F21S 8/035-8/037; F21S 8/04;
F21S 8/043; F21S 8/063

(71) Applicants: **HYUNDAI MOTOR COMPANY**, Seoul (KR); **KIA MOTORS CORPORATION**, Seoul (KR) See application file for complete search history.

(72) Inventors: **Sang Min Lee**, Seoul (KR); **Seung Bo Hong**, Seongnam-si (KR); **Sang Hun Ahn**, Ansan-si (KR)

(73) Assignees: **Kia Motors Corporation**, Seoul (KR); **Hyundai Motor Company**, Seoul (KR)

(**) Term: **15 Years**

(21) Appl. No.: **35/504,021**

(22) Filed: **May 23, 2017**

(80) **Hague Agreement Data**
Int. Filing Date: **May 23, 2017**
Int. Reg. No.: **DM/096269**
Int. Reg. Date: **May 23, 2017**
Int. Reg. Pub. Date: **Nov. 24, 2017**

(30) **Foreign Application Priority Data**
Dec. 2, 2016 (KR) 30-2016-0058360

(51) **LOC (11) Cl.** **26-06**

(52) **U.S. Cl.**
USPC **D26/28**

(58) **Field of Classification Search**
USPC ... D26/3, 28, 76, 78, 79, 80, 81, 82, 83, 85,
D26/86, 88, 90, 93, 111, 113, 118, 119,
D26/120, 121, 122, 138, 139, 140, 141,
D26/142, 152
CPC F21S 2/00; F21S 4/00; F21S 4/003; F21S
4/005; F21S 4/006; F21S 4/007; F21S
4/008; F21S 6/00; F21S 8/00; F21S
8/024; F21S 8/026; F21S 8/031; F21S

(56) **References Cited**

U.S. PATENT DOCUMENTS

D593,233 S *	5/2009	Bai	D26/28
D728,135 S *	4/2015	Ha	D26/28
D783,867 S *	4/2017	Munakata	D26/28
D785,829 S *	5/2017	Park	D26/28
D785,830 S *	5/2017	Park	D26/28
D787,726 S *	5/2017	Hong	D26/28
D814,080 S *	3/2018	Ha	D26/28
D815,768 S *	4/2018	Park	D26/28
D818,164 S *	5/2018	Ha	D26/28
D822,241 S *	7/2018	Lee	D26/28
D822,242 S *	7/2018	Lee	D26/28
D824,058 S *	7/2018	Hong	D26/28

* cited by examiner

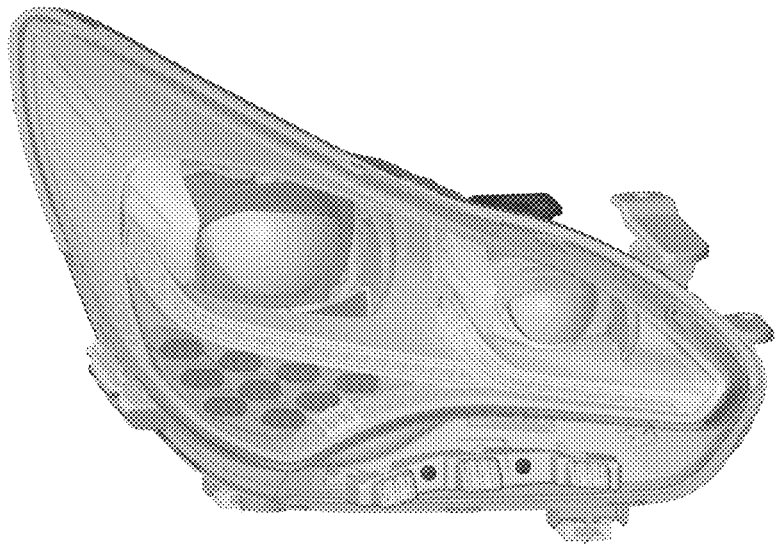
Primary Examiner — George D. Kirschbaum
Assistant Examiner — Natasha Vujcic
(74) *Attorney, Agent, or Firm* — Mintz Levin Cohn Ferris
Glovsky and Popeo, P.C.; Kongsik Kim

(57) **CLAIM**
The ornamental design for a head lamp for an automobile,
as shown and described.

DESCRIPTION

1. Head lamp for an automobile
1.1 : Perspective
1.2 : Front
1.3 : Back
1.4 : Left
1.5 : Right
1.6 : Top
1.7 : Bottom

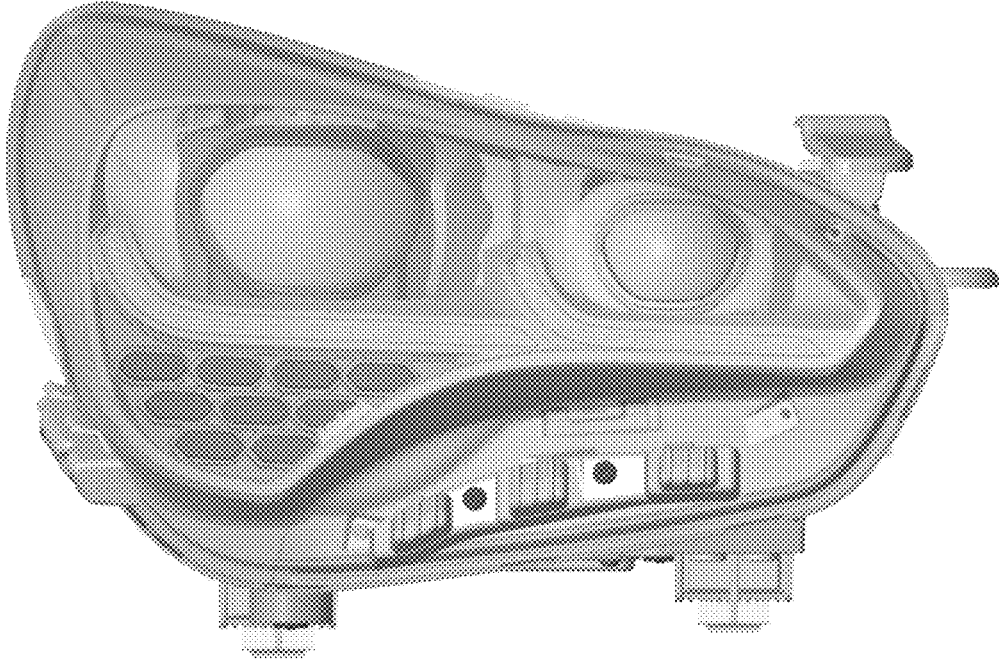
1 Claim, 7 Drawing Sheets



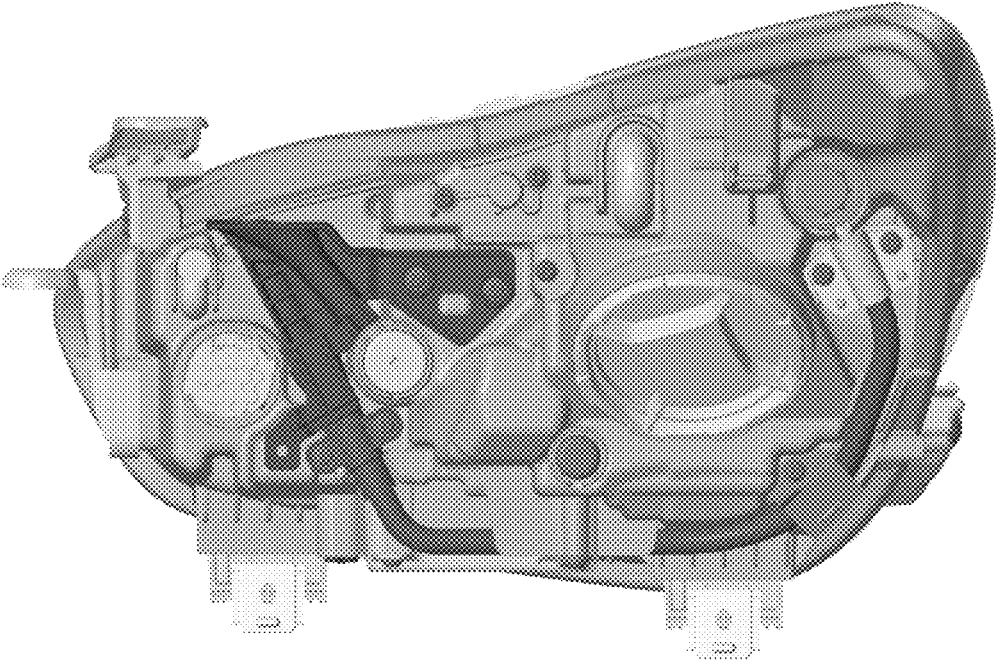
1.1



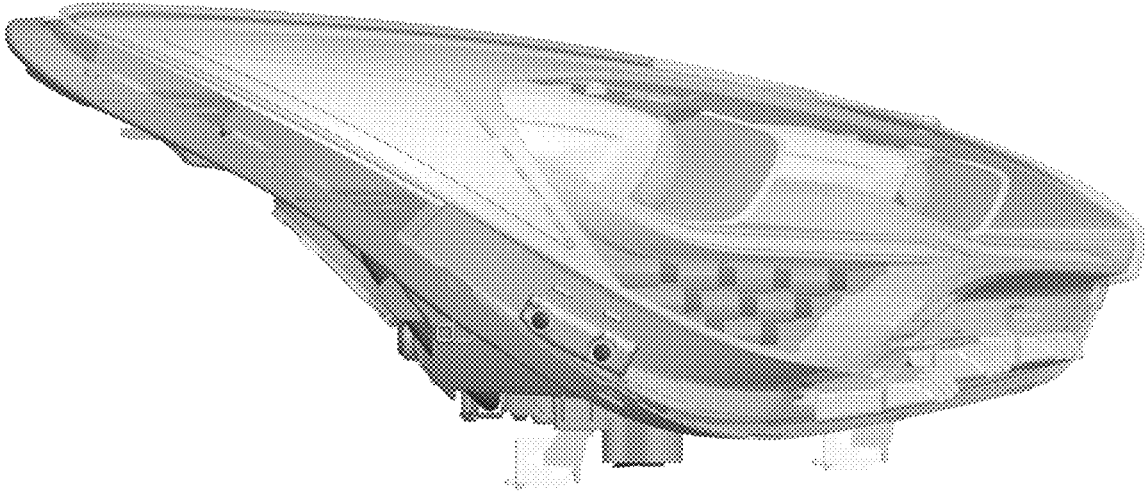
1.2



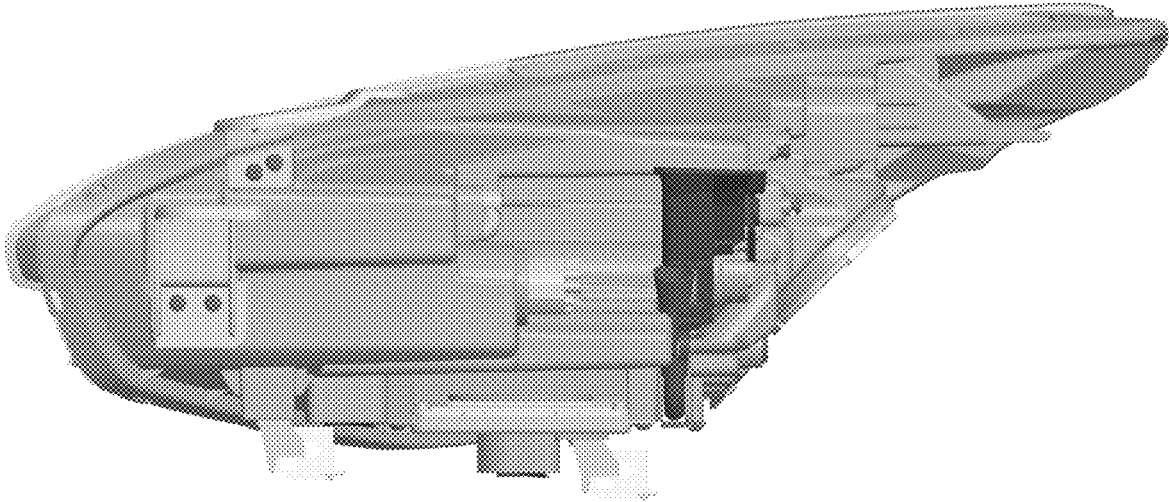
1.3



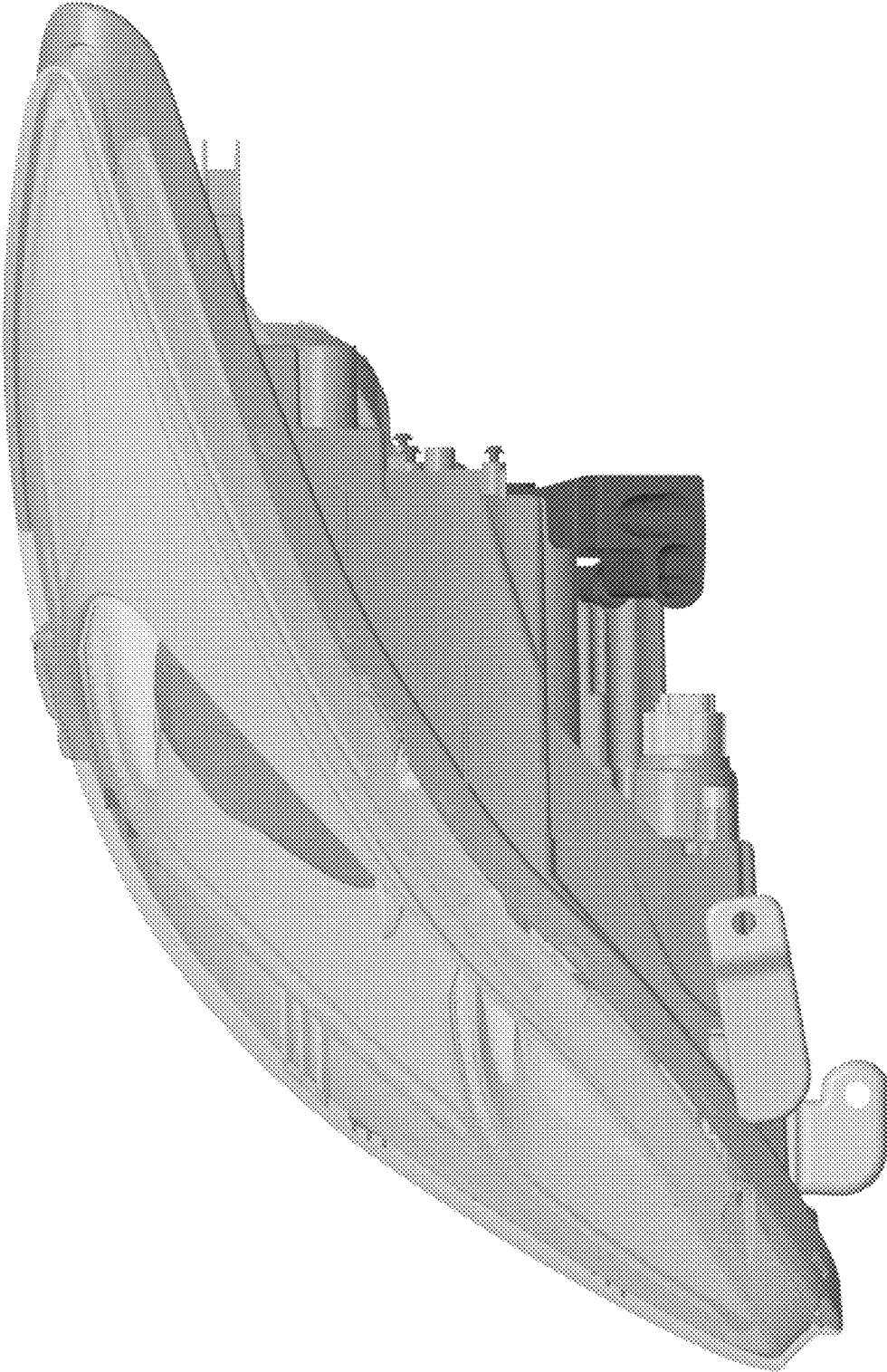
1.4



1.5



1.6



1.7

