



(51) International Patent Classification:

G01N 1/31 (2006.01) G01N 35/10 (2006.01)
G01N 35/00 (2006.01) G01N 35/04 (2006.01)

(21) International Application Number:

PCT/EP2013/077649

(22) International Filing Date:

20 December 2013 (20.12.2013)

(25) Filing Language:

English

(26) Publication Language:

English

(30) Priority Data:

61/746,091 26 December 2012 (26.12.2012) US
61/798,238 15 March 2013 (15.03.2013) US

(71) Applicant: VENTANA MEDICAL SYSTEMS, INC.
[US/US]; 1910 Innovation Park Dr., Tucson, Arizona
85755 (US).

(71) Applicant (for CL only): F. HOFFMANN-LA ROCHE
AG [CH/CH]; Grenzacher Strasse 124, CH-4070 Basel
(CH).

(72) Inventors: KETTERER, Matthew; 1091 W. Eagle Land-
ing Place, Oro Valley, Arizona 82737 (US). MAR-
SHALL, Kevin David; 7226 E Sabino Vista Dr., Tucson,
Arizona 85750 (US). SPENCE, Simon; Unit 1, 1 Muir
Street, Hawthorn, Victoria 3122 (AU). JAMES, Ben; 4/81
Westbury Street, St. Kilda, Victoria 3183 (AU).

(74) Agents: GOEHRING, Frank et al.; Roche Diagnostics
GmbH, P.O.Box 11 52, Nonnenwald 2, 82372 Penzberg
(DE).

(81) Designated States (unless otherwise indicated, for every
kind of national protection available): AE, AG, AL, AM,
AO, AT, AU, AZ, BA, BB, BG, BH, BN, BR, BW, BY,
BZ, CA, CH, CL, CN, CO, CR, CU, CZ, DE, DK, DM,
DO, DZ, EC, EE, EG, ES, FI, GB, GD, GE, GH, GM, GT,
HN, HR, HU, ID, IL, IN, IR, IS, JP, KE, KG, KN, KP, KR,
KZ, LA, LC, LK, LR, LS, LT, LU, LY, MA, MD, ME,
MG, MK, MN, MW, MX, MY, MZ, NA, NG, NI, NO, NZ,
OM, PA, PE, PG, PH, PL, PT, QA, RO, RS, RU, RW, SA,
SC, SD, SE, SG, SK, SL, SM, ST, SV, SY, TH, TJ, TM,
TN, TR, TT, TZ, UA, UG, US, UZ, VC, VN, ZA, ZM,
ZW.

[Continued on next page]

(54) Title: SPECIMEN PROCESSING SYSTEMS AND METHODS FOR ALIGNING SLIDES

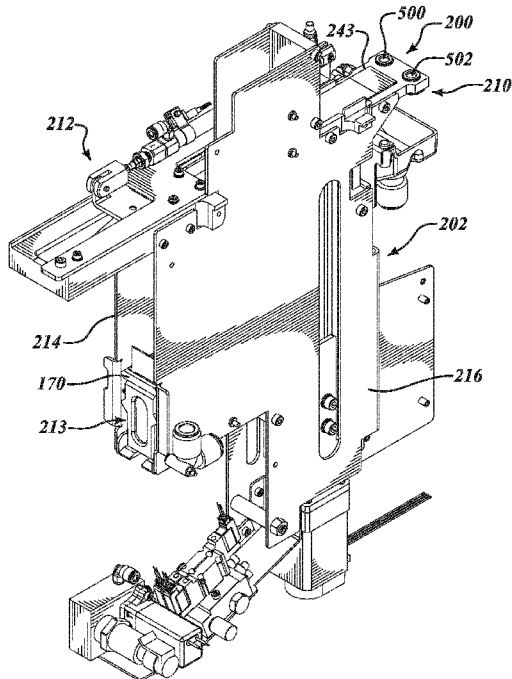


FIG. 4

(57) Abstract: A specimen processing system is capable of processing specimens carried on slides. The specimen processing system can sequentially deliver slides and opposables to specimen processing stations. The specimen processing stations can use the opposables to apply a series of liquids to the specimens. The applied liquid can be moved along the slide using capillary action while the specimen processing stations control the processing temperatures.



(84) Designated States (*unless otherwise indicated, for every kind of regional protection available*): ARIPO (BW, GH, GM, KE, LR, LS, MW, MZ, NA, RW, SD, SL, SZ, TZ, UG, ZM, ZW), Eurasian (AM, AZ, BY, KG, KZ, RU, TJ, TM), European (AL, AT, BE, BG, CH, CY, CZ, DE, DK, EE, ES, FI, FR, GB, GR, HR, HU, IE, IS, IT, LT, LU, LV, MC, MK, MT, NL, NO, PL, PT, RO, RS, SE, SI, SK, SM, TR), OAPI (BF, BJ, CF, CG, CI, CM, GA, GN, GQ, GW, KM, ML, MR, NE, SN, TD, TG).

Published:

- *with international search report (Art. 21(3))*
- *before the expiration of the time limit for amending the claims and to be republished in the event of receipt of amendments (Rule 48.2(h))*

(88) Date of publication of the international search report:

21 August 2014

INTERNATIONAL SEARCH REPORT

International application No
PCT/EP2013/077649

A. CLASSIFICATION OF SUBJECT MATTER
 INV. G01N1/31 G01N35/00
 ADD. G01N35/10 G01N35/04

According to International Patent Classification (IPC) or to both national classification and IPC

B. FIELDS SEARCHED

Minimum documentation searched (classification system followed by classification symbols)
 G01N B01L B01F B05D B05C G02B

Documentation searched other than minimum documentation to the extent that such documents are included in the fields searched

Electronic data base consulted during the international search (name of data base and, where practicable, search terms used)
 EPO-Internal, WPI Data

C. DOCUMENTS CONSIDERED TO BE RELEVANT

Category*	Citation of document, with indication, where appropriate, of the relevant passages	Relevant to claim No.
X	US 2012/189412 A1 (HOFFMANN JOACHIM [DE] ET AL) 26 July 2012 (2012-07-26) paragraphs [0022] - [0029]; figures 1-3 -----	1-13, 17-30
X	US 6 847 481 B1 (LUDL HELMUT [US] ET AL) 25 January 2005 (2005-01-25) column 5, line 46 - column 6, line 5; figures 1,2,20-22 column 7, lines 18-36 column 8, line 35 - column 9, line 57 -----	1-13, 17-30
X	WO 02/13967 A2 (INCYTE GENOMICS INC [US]) 21 February 2002 (2002-02-21) page 8, line 25 - page 16, line 19; figures 1-11 -----	1-14, 17-30 15,16
A	-/--	

Further documents are listed in the continuation of Box C.

See patent family annex.

* Special categories of cited documents :

- "A" document defining the general state of the art which is not considered to be of particular relevance
- "E" earlier application or patent but published on or after the international filing date
- "L" document which may throw doubts on priority claim(s) or which is cited to establish the publication date of another citation or other special reason (as specified)
- "O" document referring to an oral disclosure, use, exhibition or other means
- "P" document published prior to the international filing date but later than the priority date claimed

"T" later document published after the international filing date or priority date and not in conflict with the application but cited to understand the principle or theory underlying the invention

"X" document of particular relevance; the claimed invention cannot be considered novel or cannot be considered to involve an inventive step when the document is taken alone

"Y" document of particular relevance; the claimed invention cannot be considered to involve an inventive step when the document is combined with one or more other such documents, such combination being obvious to a person skilled in the art

"&" document member of the same patent family

Date of the actual completion of the international search 19 June 2014	Date of mailing of the international search report 27/06/2014
---	--

Name and mailing address of the ISA/ European Patent Office, P.B. 5818 Patentlaan 2 NL - 2280 HV Rijswijk Tel. (+31-70) 340-2040, Fax: (+31-70) 340-3016	Authorized officer van Lith, Joris
--	---

INTERNATIONAL SEARCH REPORT

International application No
PCT/EP2013/077649

C(Continuation). DOCUMENTS CONSIDERED TO BE RELEVANT		
Category*	Citation of document, with indication, where appropriate, of the relevant passages	Relevant to claim No.
A	WO 2006/098442 A1 (HAMAMATSU PHOTONICS KK [JP]; SUZUKI YASUMOTO [JP]) 21 September 2006 (2006-09-21) figures 2-3	3,5,19, 29
A	----- US 2008/193333 A1 (TAKAHASHI TOMIO [JP] ET AL) 14 August 2008 (2008-08-14) paragraph [0086]; figure 13 -----	7

INTERNATIONAL SEARCH REPORT

International application No.
PCT/EP2013/077649

Box No. II Observations where certain claims were found unsearchable (Continuation of item 2 of first sheet)

This international search report has not been established in respect of certain claims under Article 17(2)(a) for the following reasons:

1. Claims Nos.:
because they relate to subject matter not required to be searched by this Authority, namely:

2. Claims Nos.:
because they relate to parts of the international application that do not comply with the prescribed requirements to such an extent that no meaningful international search can be carried out, specifically:

3. Claims Nos.:
because they are dependent claims and are not drafted in accordance with the second and third sentences of Rule 6.4(a).

Box No. III Observations where unity of invention is lacking (Continuation of item 3 of first sheet)

This International Searching Authority found multiple inventions in this international application, as follows:

see additional sheet

1. As all required additional search fees were timely paid by the applicant, this international search report covers all searchable claims.

2. As all searchable claims could be searched without effort justifying an additional fees, this Authority did not invite payment of additional fees.

3. As only some of the required additional search fees were timely paid by the applicant, this international search report covers only those claims for which fees were paid, specifically claims Nos.:

4. No required additional search fees were timely paid by the applicant. Consequently, this international search report is restricted to the invention first mentioned in the claims; it is covered by claims Nos.:

Remark on Protest

- The additional search fees were accompanied by the applicant's protest and, where applicable, the payment of a protest fee.
- The additional search fees were accompanied by the applicant's protest but the applicable protest fee was not paid within the time limit specified in the invitation.
- No protest accompanied the payment of additional search fees.

FURTHER INFORMATION CONTINUED FROM PCT/ISA/ 210

This International Searching Authority found multiple (groups of) inventions in this international application, as follows:

1. claims: 1-13, 17-30

Invention 1 is directed to details regarding the unloading of a slide carrier

2. claims: 14-16

Invention 2 is directed to details of the transfer head (for transferring slides that have been unloaded)

INTERNATIONAL SEARCH REPORT

Information on patent family members

International application No PCT/EP2013/077649

Patent document cited in search report	Publication date	Patent family member(s)	Publication date
US 2012189412 A1	26-07-2012	DE 102011009502 A1	26-07-2012
		GB 2487640 A	01-08-2012
		JP 2012155324 A	16-08-2012
		US 2012189412 A1	26-07-2012
US 6847481 B1	25-01-2005	US 6847481 B1	25-01-2005
		WO 03038504 A1	08-05-2003
WO 0213967 A2	21-02-2002	AU 7925101 A	25-02-2002
		AU 8117901 A	25-02-2002
		AU 8118201 A	25-02-2002
		AU 8121701 A	25-02-2002
		WO 0213967 A2	21-02-2002
		WO 0213968 A2	21-02-2002
		WO 0214531 A2	21-02-2002
		WO 0214877 A2	21-02-2002
WO 2006098442 A1	21-09-2006	JP 4871263 B2	08-02-2012
		WO 2006098442 A1	21-09-2006
US 2008193333 A1	14-08-2008	EP 1860422 A1	28-11-2007
		JP 4925062 B2	25-04-2012
		US 2008193333 A1	14-08-2008
		WO 2006095737 A1	14-09-2006