



US00D701845S

(12) **United States Design Patent**
Kwon et al.

(10) **Patent No.:** **US D701,845 S**

(45) **Date of Patent:** **** Apr. 1, 2014**

(54) **TELEVISION RECEIVER**

(71) Applicant: **LG Display Co., Ltd.**, Seoul (KR)
(72) Inventors: **Ik Hwan Kwon**, Seoul (KR); **Sang Yeol Kim**, Seoul (KR); **Dae Seong Kim**, Goyang-si (KR)
(73) Assignee: **LG Display Co., Ltd.**, Seoul (KR)

(**) Term: **14 Years**

(21) Appl. No.: **29/453,253**

(22) Filed: **Apr. 26, 2013**

(30) **Foreign Application Priority Data**

Oct. 26, 2012 (KR) 30-2012-0051073

(51) **LOC (10) Cl.** **14-03**

(52) **U.S. Cl.**
USPC **D14/126**

(58) **Field of Classification Search**
USPC D14/125-134, 239, 371, 136, 374-377, D14/440, 450, 448, 336, 342, 159; 312/7.2; 348/836, 838, 180, 184, 325, 739; 341/12; 248/917-924, 465; 345/104, 345/133, 156, 168, 87, 173; 720/605, 669, 720/600, 655; 369/99, 197; D21/329, 515, D21/577, 622, 333, 433, 448, 452, 450, 331, D21/505; D6/477, 479, 300; 273/148 B; 446/484, 175, 356; D10/15, 26

See application file for complete search history.

(56) **References Cited**

U.S. PATENT DOCUMENTS

D581,378 S *	11/2008	Chiu	D14/126
D609,705 S *	2/2010	Andre et al.	D14/374
D622,233 S *	8/2010	Shin et al.	D14/126
D622,240 S *	8/2010	Liu et al.	D14/126
D659,660 S *	5/2012	Kumano	D14/126
D671,938 S *	12/2012	Hsu et al.	D14/341
D673,129 S *	12/2012	Kumano	D14/126

* cited by examiner

Primary Examiner — Raphael Barkai
(74) *Attorney, Agent, or Firm* — Birch, Stewart, Kolasch & Birch, LLP

(57) **CLAIM**

The ornamental design for a television receiver, as shown and described.

DESCRIPTION

FIG. 1 is a perspective view of a television receiver showing our new design;
FIG. 2 is a front view thereof;
FIG. 3 is a rear view thereof;
FIG. 4 is a left side view thereof where the right side view is a mirror image;
FIG. 5 is a top plan view thereof;
FIG. 6 is a bottom plan view thereof;
FIG. 7 is a perspective view thereof during operation;
FIG. 8 is a front view of FIG. 7; and,
FIG. 9 is an enlarged view taken along line 1-1', 2-2', 3-3' and 4-4'.
The broken lines are for illustrative purposes only and form no part of the claimed design.

1 Claim, 8 Drawing Sheets

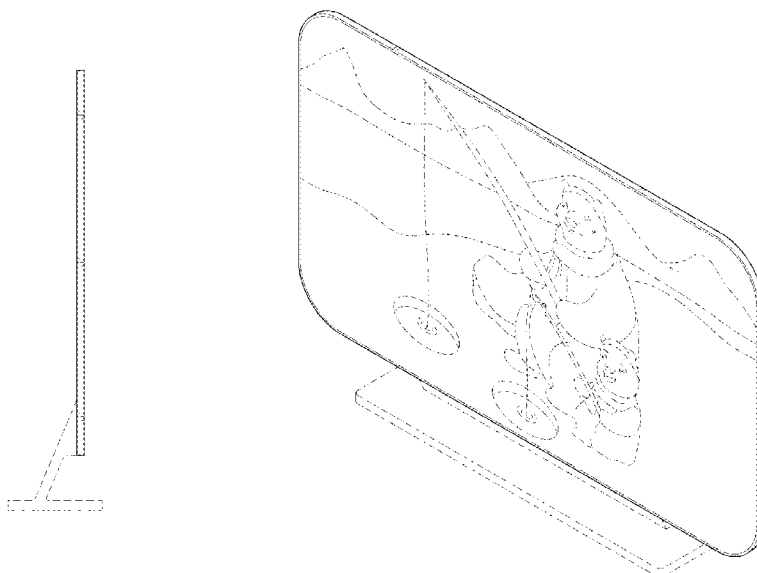


FIG. 1

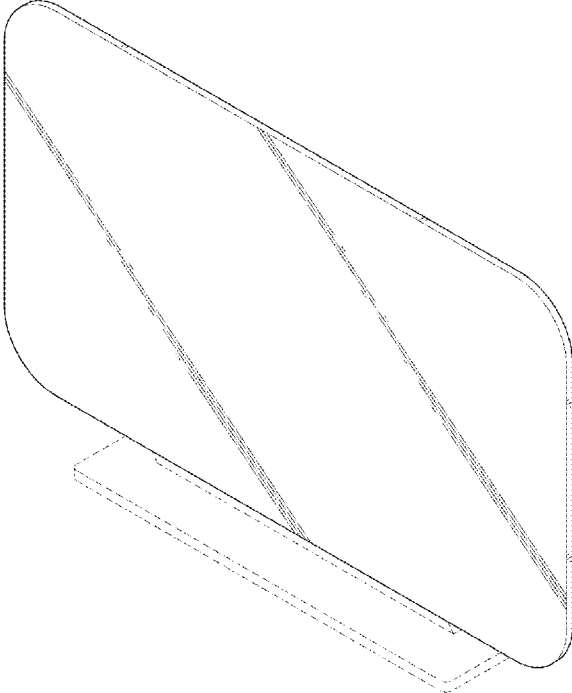


FIG. 2

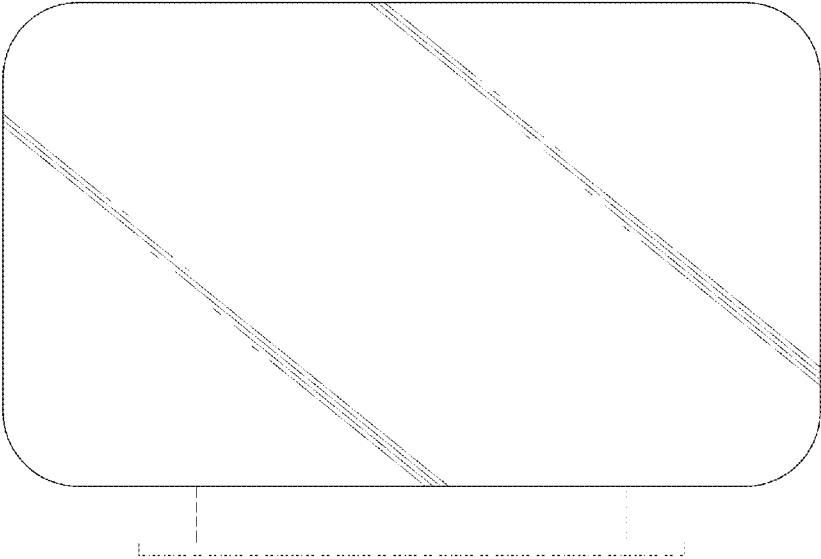


FIG. 3

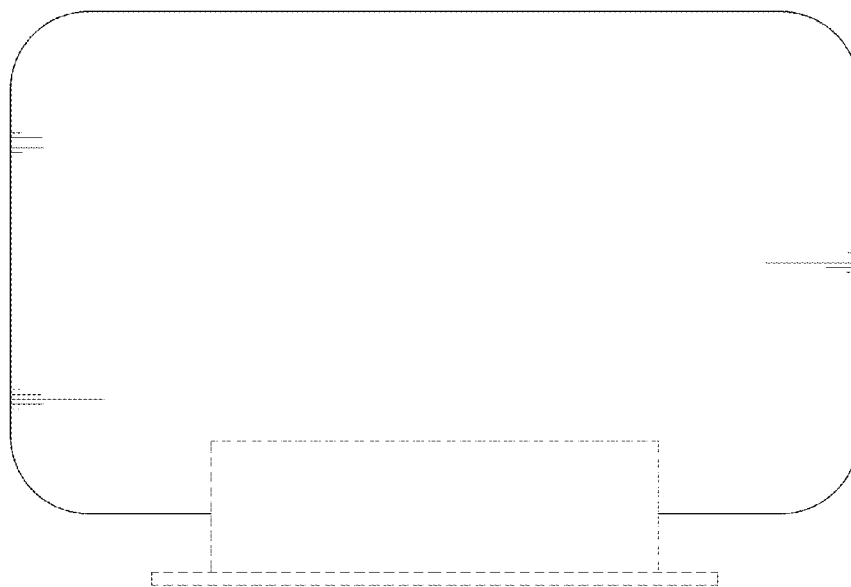


FIG. 4

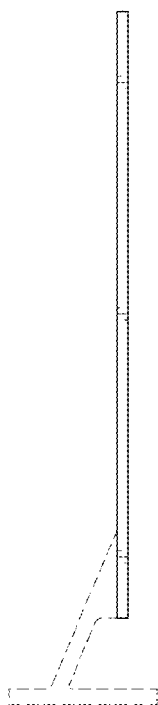


FIG. 5

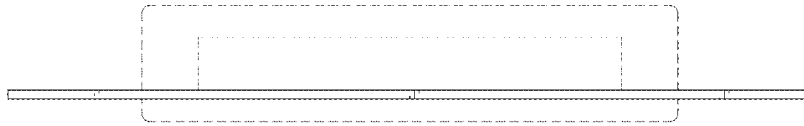


FIG. 6



FIG. 7

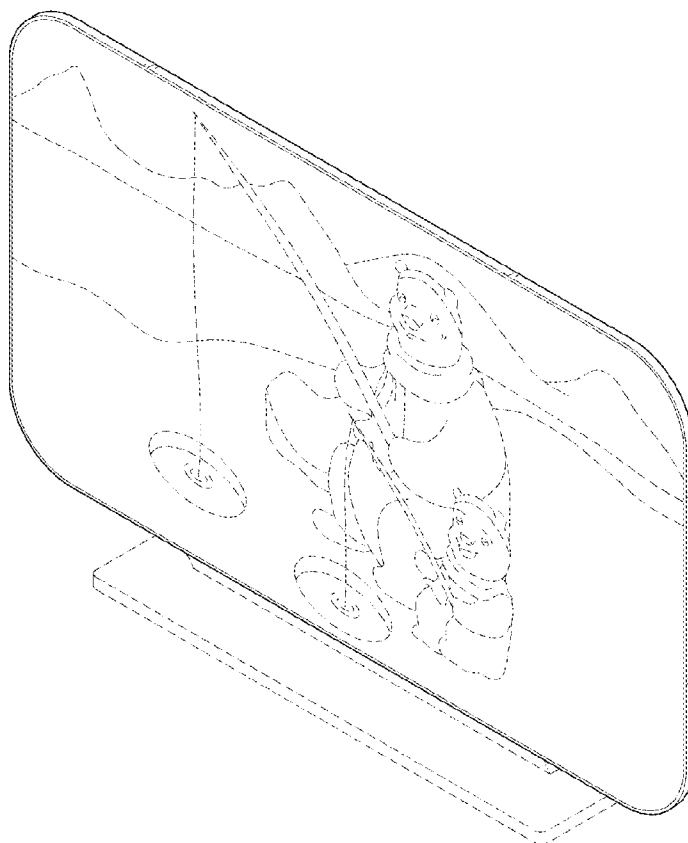


FIG. 8

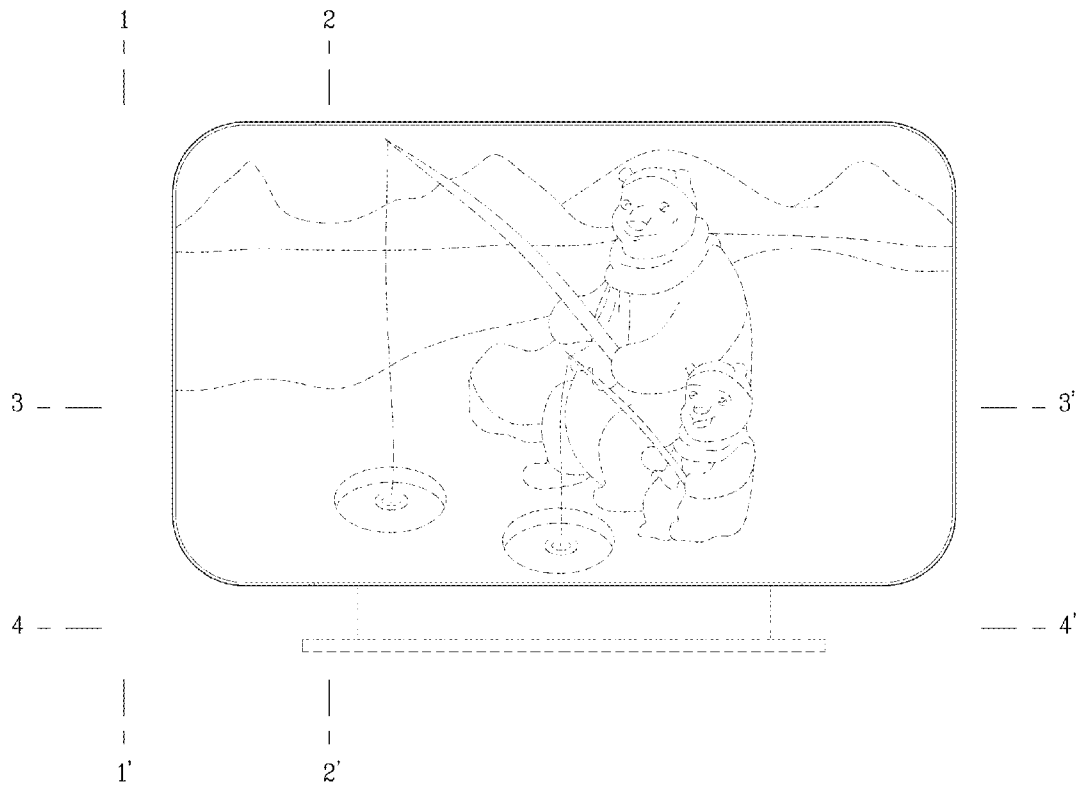


FIG. 9

