

[54] **CASE**

[75] **Inventor:** Mukhtar F. Hussain, Slough,
England

[73] **Assignee:** Alia Mouldings Limited, England

[**] **Term:** 14 Years

[21] **Appl. No.:** 291,196

[22] **Filed:** Dec. 28, 1988

[30] **Foreign Application Priority Data**

Nov. 24, 1988 [GB] United Kingdom 1055181

[52] **U.S. Cl.** D3/73; D3/74;
D3/76

[58] **Field of Search** D3/76, 74, 71, 72, 73,
D3/75, 78, 39; 150/147; 190/110, 112, 16, 122,
100, 109, 902, 900, 901, 102, 119, 107; 206/570,
387

[56]

References Cited

U.S. PATENT DOCUMENTS

D. 220,151 3/1971 Waters D3/39 X
D. 220,233 3/1971 Schurman D3/78
D. 236,291 8/1975 Schurman D3/76 X
3,612,335 10/1971 Schurman D3/74 X

Primary Examiner—Louis S. Zarfaz
Assistant Examiner—M. N. Pandozzi
Attorney, Agent, or Firm—Oliff & Berridge

[57]

CLAIM

The ornamental design for a case, as shown.

DESCRIPTION

FIG. 1 is a front left perspective view of a case showing my new design;
FIG. 2 is a top plan view thereof;
FIG. 3 is a rear elevational view thereof;
FIG. 4 is a bottom plan view thereof;
FIG. 5 is a front left perspective view in open position.

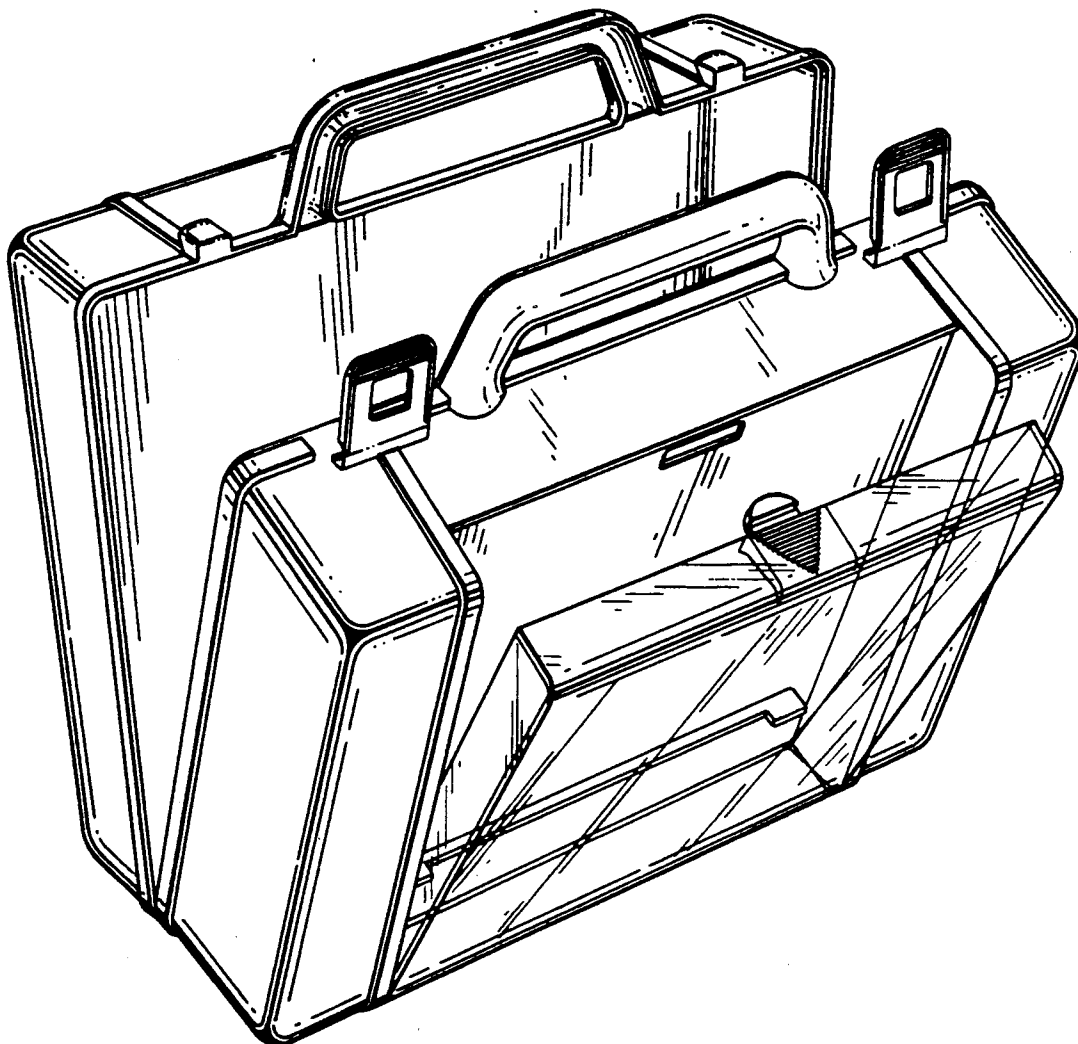


FIG. 1.

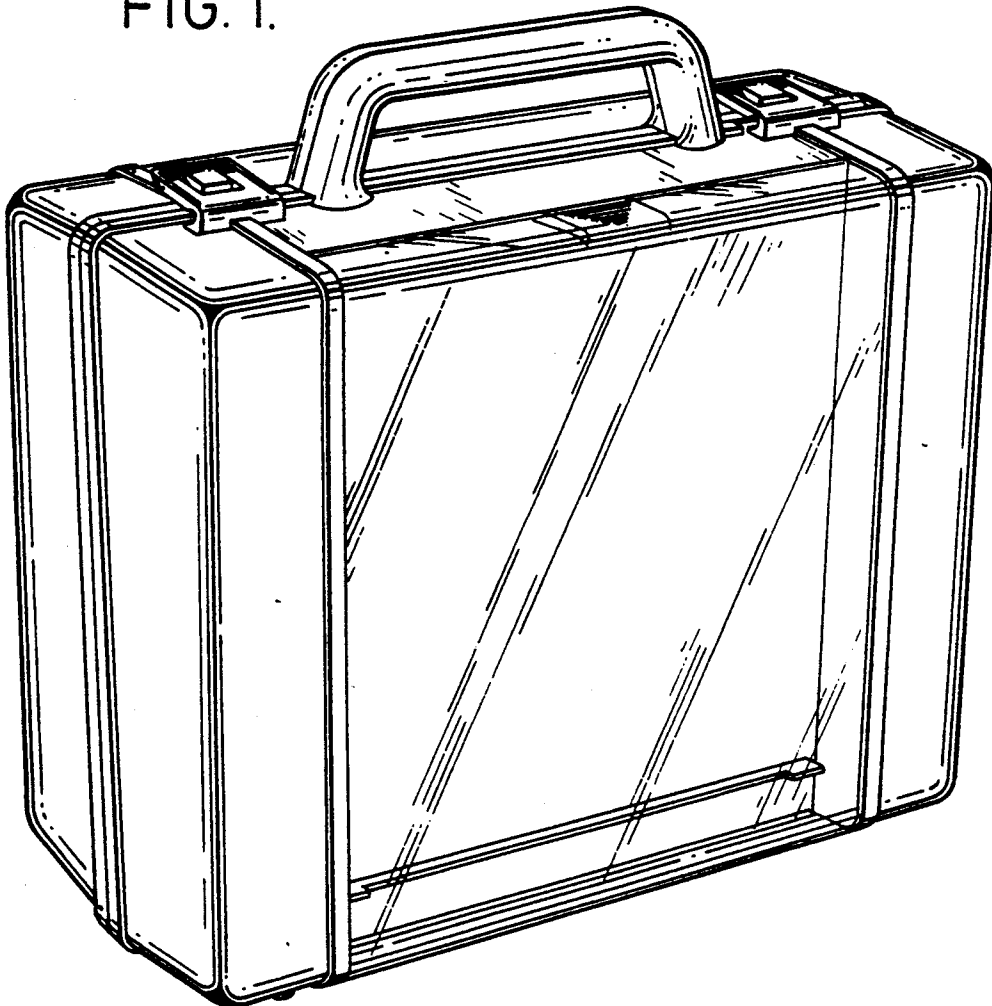


FIG. 2.

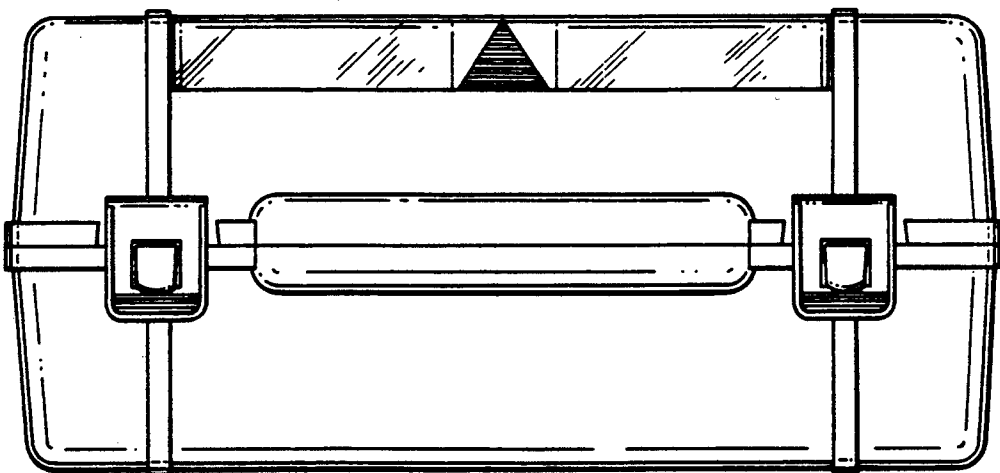


FIG. 3.

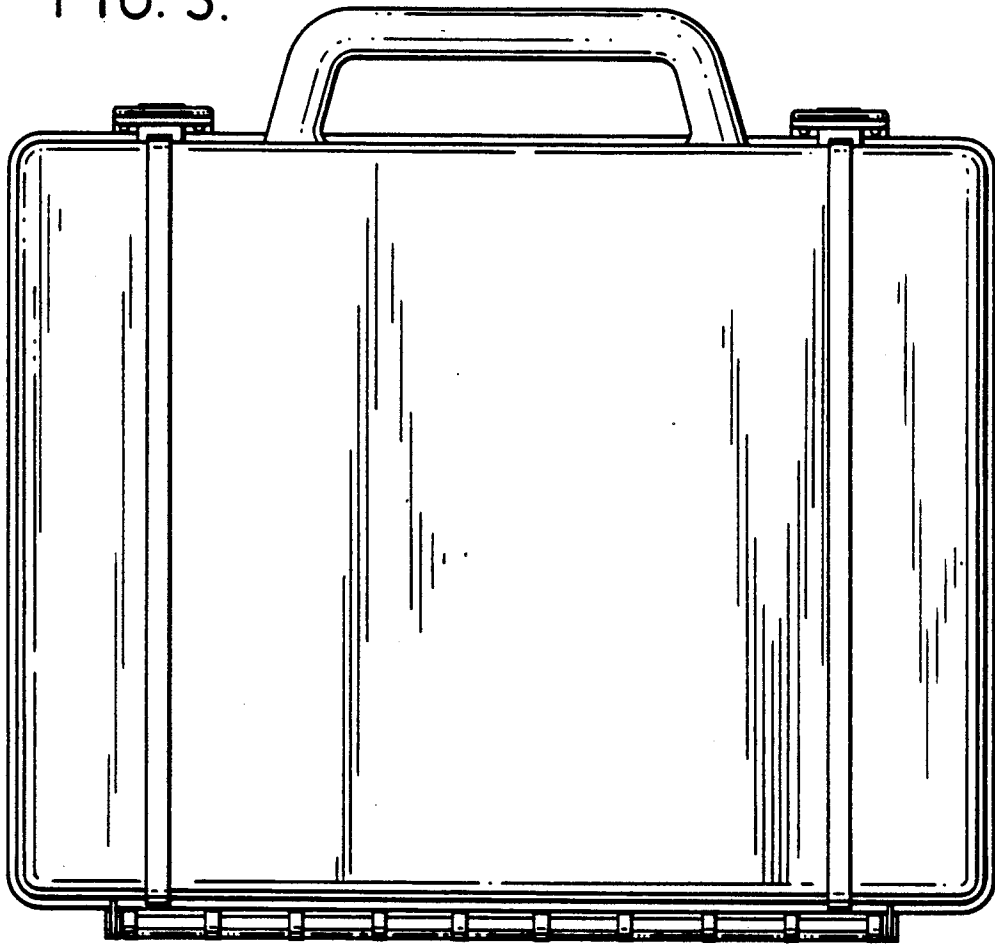


FIG. 4.

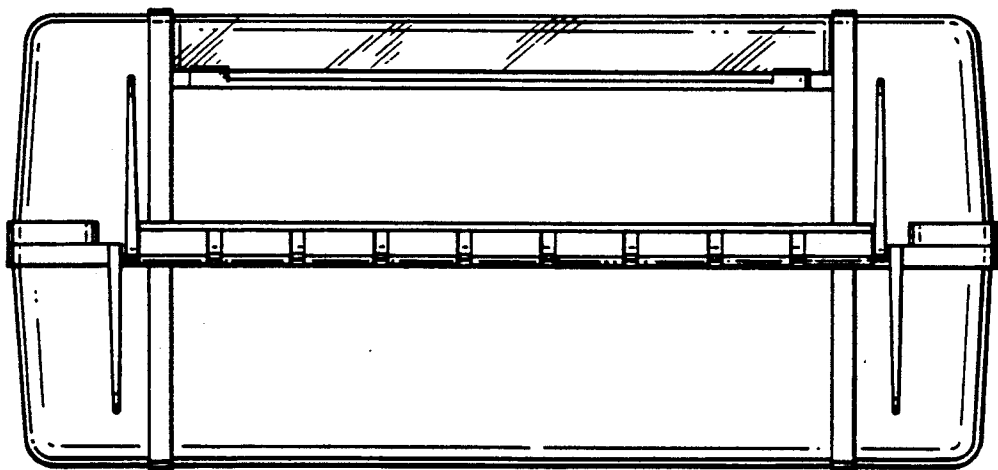


FIG. 5.

