



US00D476325S

(12) **United States Design Patent** (10) **Patent No.:** **US D476,325 S**  
**Monson et al.** (45) **Date of Patent:** **\*\* Jun. 24, 2003**

(54) **VIDEO DISPLAY CONSOLE** D440,543 S \* 4/2001 Kodimer ..... D14/127  
D455,423 S \* 4/2002 Cellini et al. .... D14/305

(75) Inventors: **Robert J. Monson**, St. Paul, MN (US);  
**Michael E. Smith**, St. Bonifacius, MN  
(US); **Jianhua Yan**, Prior Lake, MN  
(US); **Trevor J. McCollough**,  
Minneapolis, MN (US); **Richard L.**  
**Cellini**, Burnsville, MN (US)

\* cited by examiner

*Primary Examiner*—Freda Nunn

(74) *Attorney, Agent, or Firm*—Patrick M. Hogan; Glenn  
W. Bowen

(73) Assignee: **Lockheed Martin Corporation**,  
Bethesda, MD (US)

(57) **CLAIM**

The ornamental design for a video display console, as shown  
and described.

(\*\*) Term: **14 Years**

**DESCRIPTION**

(21) Appl. No.: **29/159,600**

(22) Filed: **Apr. 24, 2002**

(51) **LOC (7) Cl.** ..... **14-02**

(52) **U.S. Cl.** ..... **D14/306**

(58) **Field of Search** ..... D14/302-307,  
D14/127; D13/162, 184, 199; 312/198,  
223.1-223.3; 360/99.01-99.12; 361/680-686,  
690-696

FIG. 1 is a top front and left side perspective view of a video  
display console showing the new design;  
FIG. 2 is a top rear and right side perspective thereof;  
FIG. 3 is a left side view thereof;  
FIG. 4 is a front view thereof;  
FIG. 5 is a right side view thereof;  
FIG. 6 is a rear side view thereof;  
FIG. 7 is a top plan view thereof; and,  
FIG. 8 is a bottom plan view thereof.

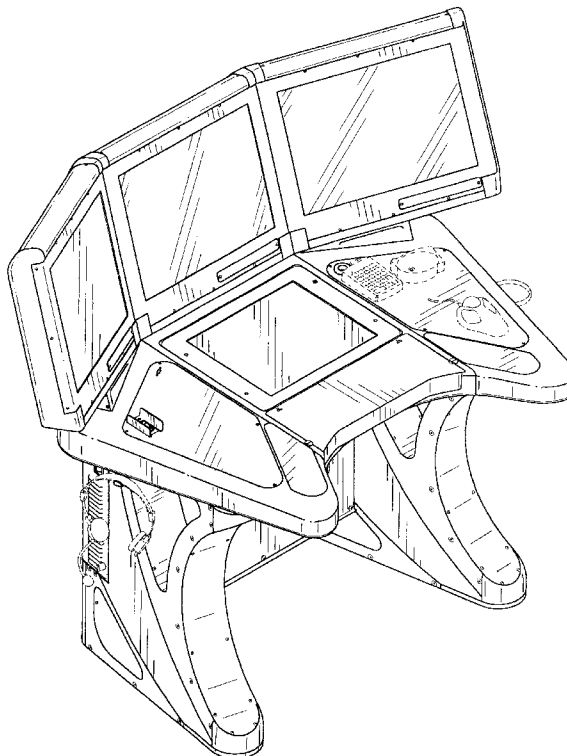
(56) **References Cited**

**U.S. PATENT DOCUMENTS**

4,113,331 A \* 9/1978 Derdzinski et al. .... 312/198  
D339,571 S \* 9/1993 Drabczyk et al. .... D14/306  
D340,229 S \* 10/1993 Drabczyk et al. .... D14/306  
D372,226 S \* 7/1996 Maguire, Jr. .... D14/306  
D401,227 S \* 11/1998 Catta ..... D14/305  
D436,354 S \* 1/2001 Kodimer ..... D14/306

It will be understood that no claim is being made to the  
headset shown, with respect to FIG. 1, on the left side of the  
console, the coffee cup holder extending from the right side  
of the console, the three auxiliary components on the right  
hand side of the desk top surface of the console, nor the  
auxiliary disk drive component shown on the bottom of the  
console.

**1 Claim, 8 Drawing Sheets**



*FIG. 1*

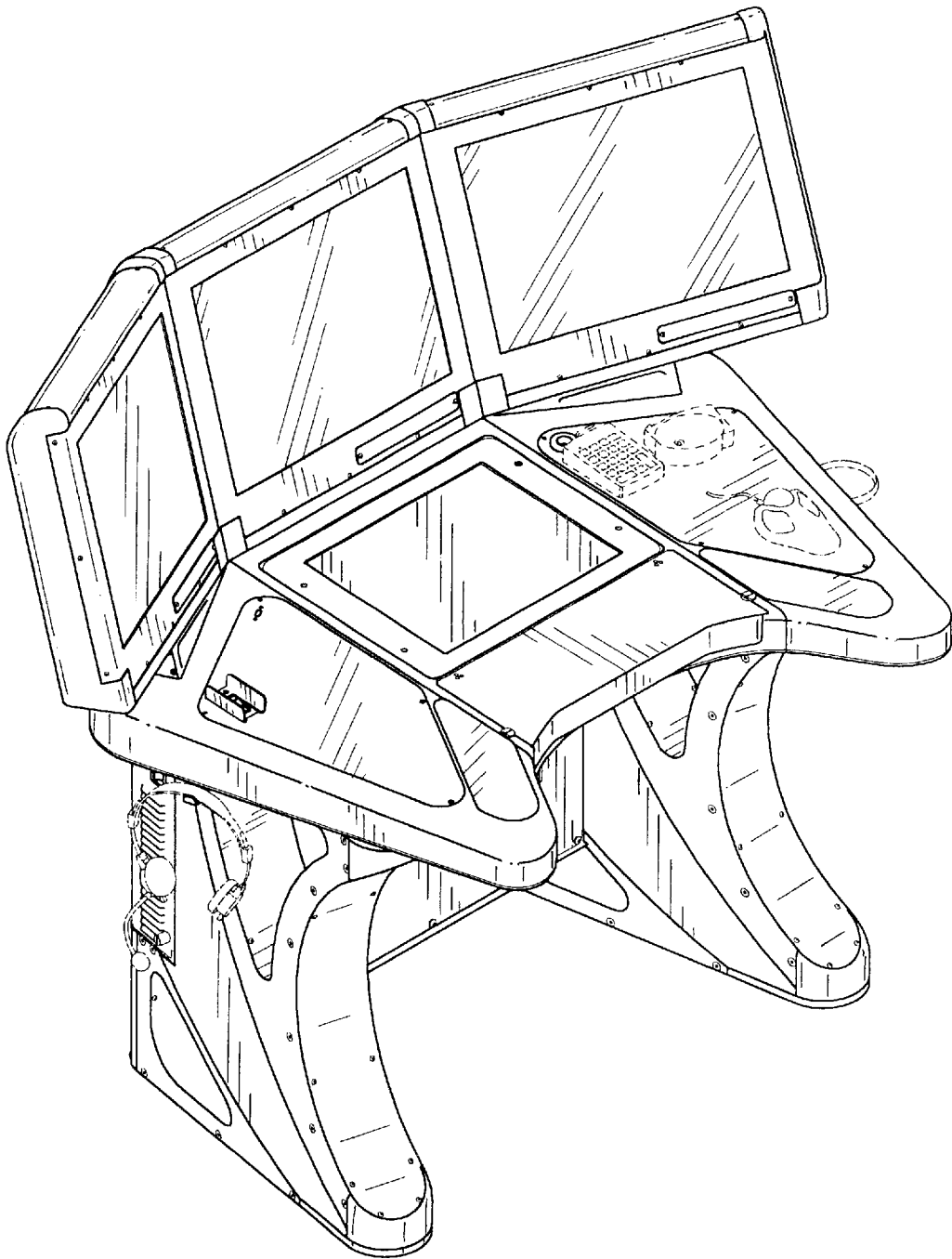
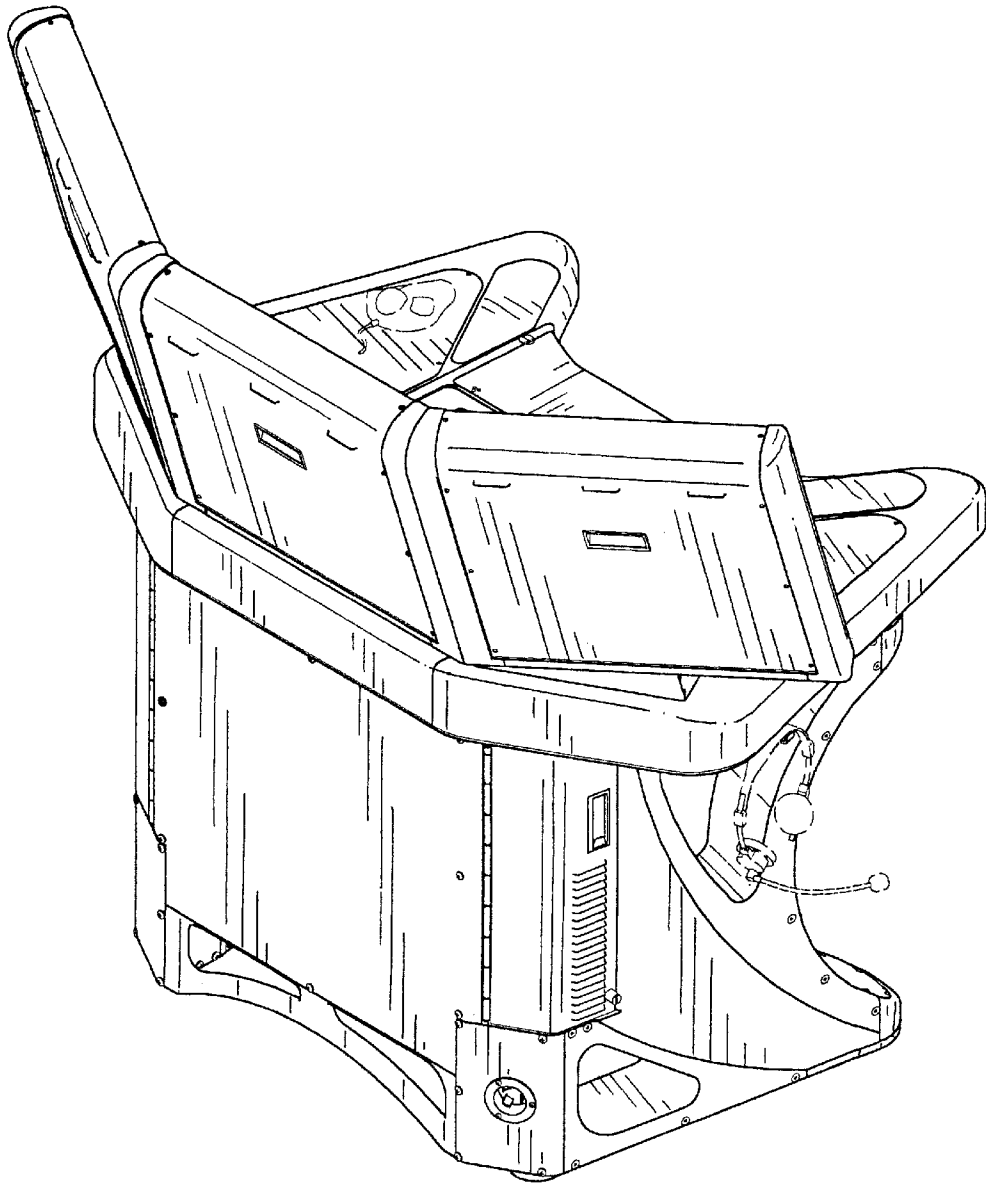


FIG. 2



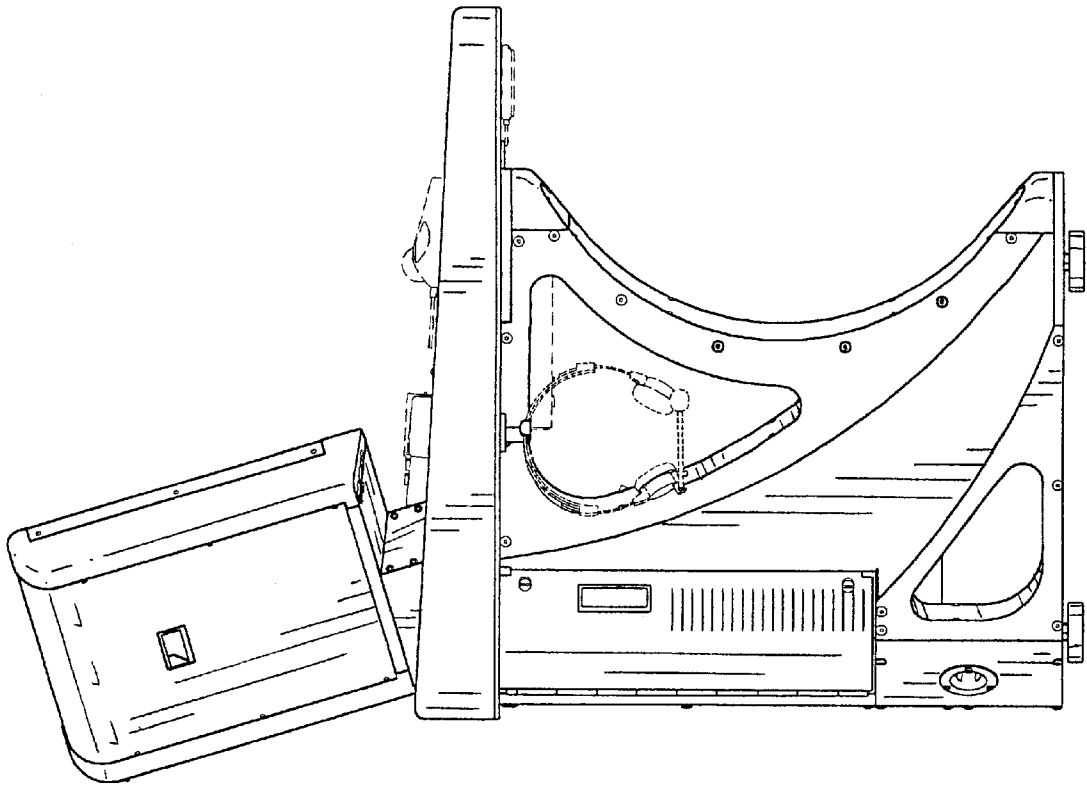


FIG.3

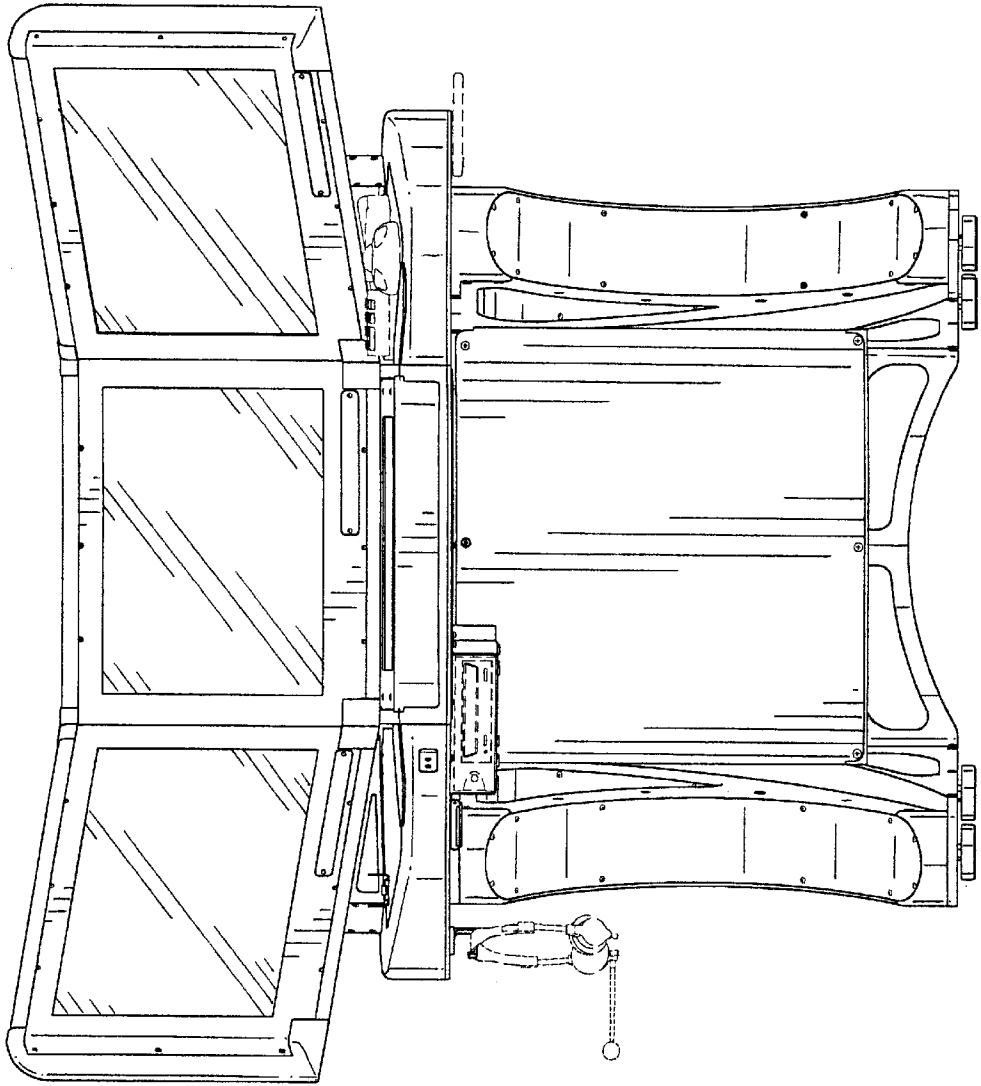


FIG.4

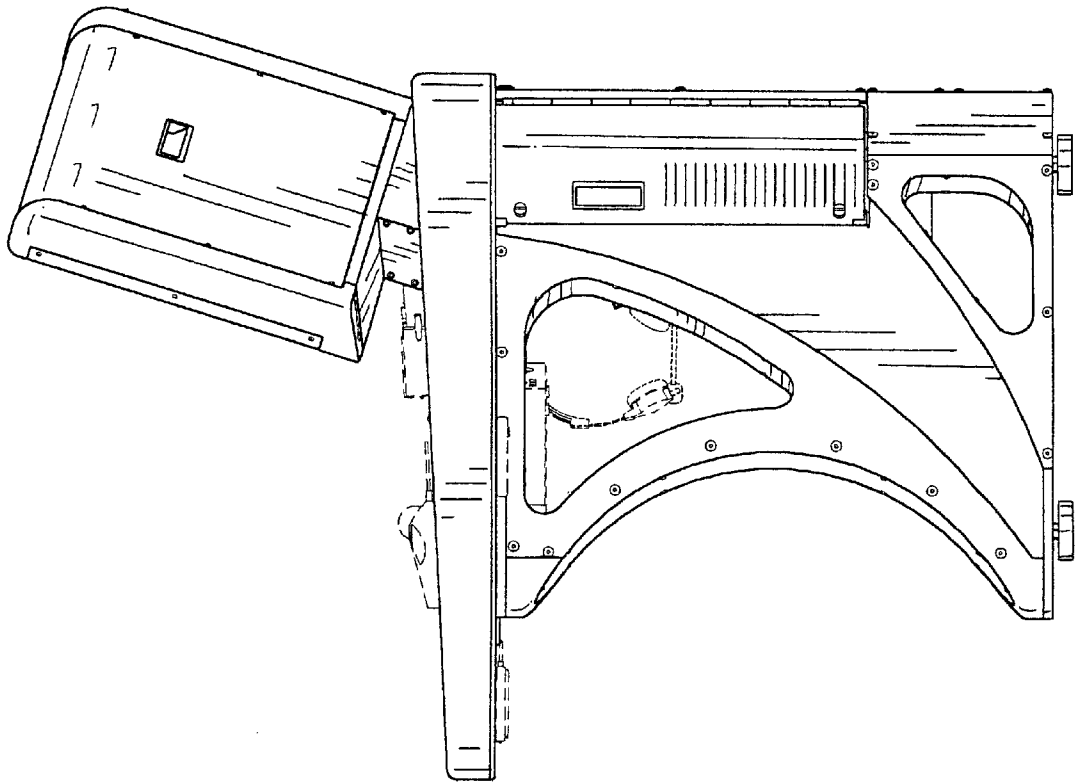


FIG. 5

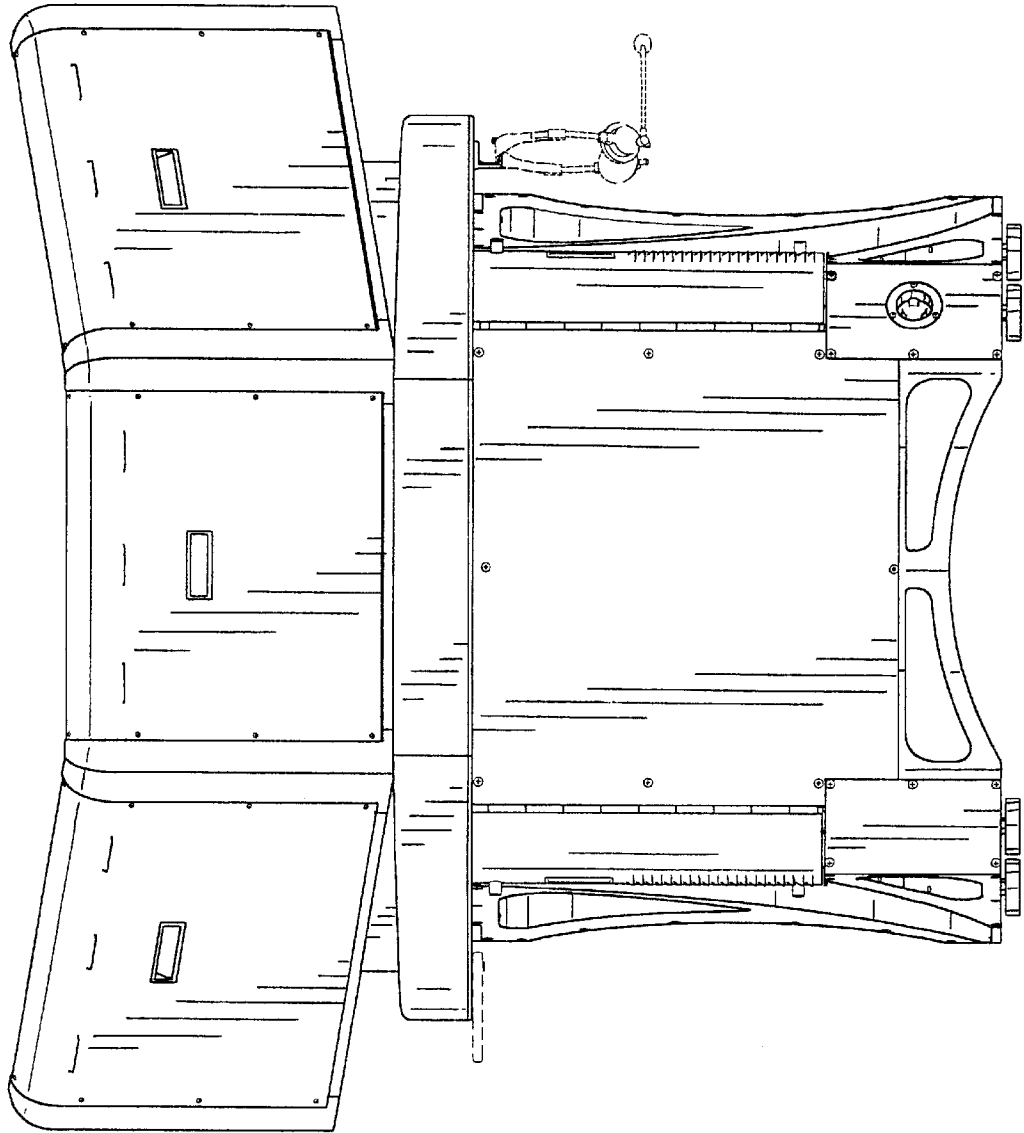


FIG. 6

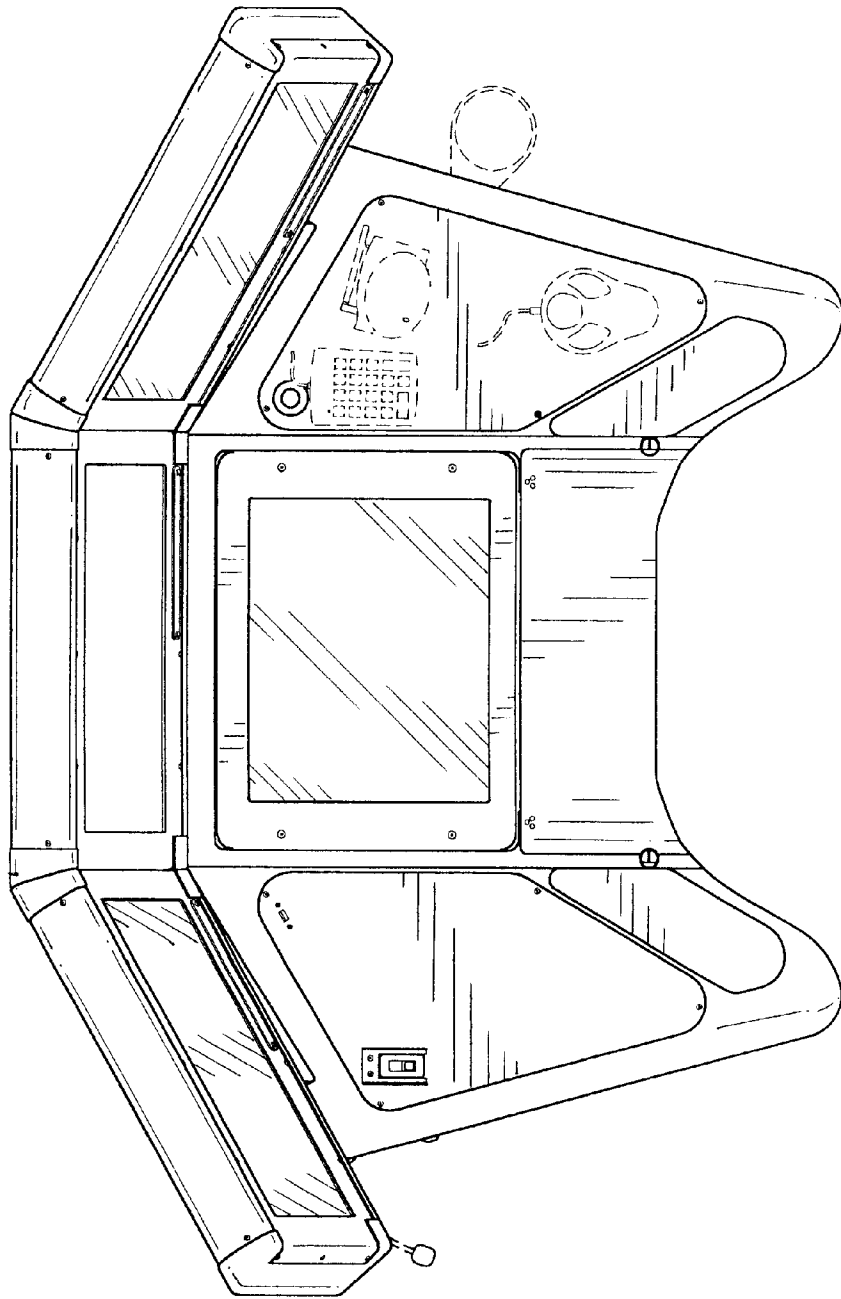


FIG. 7

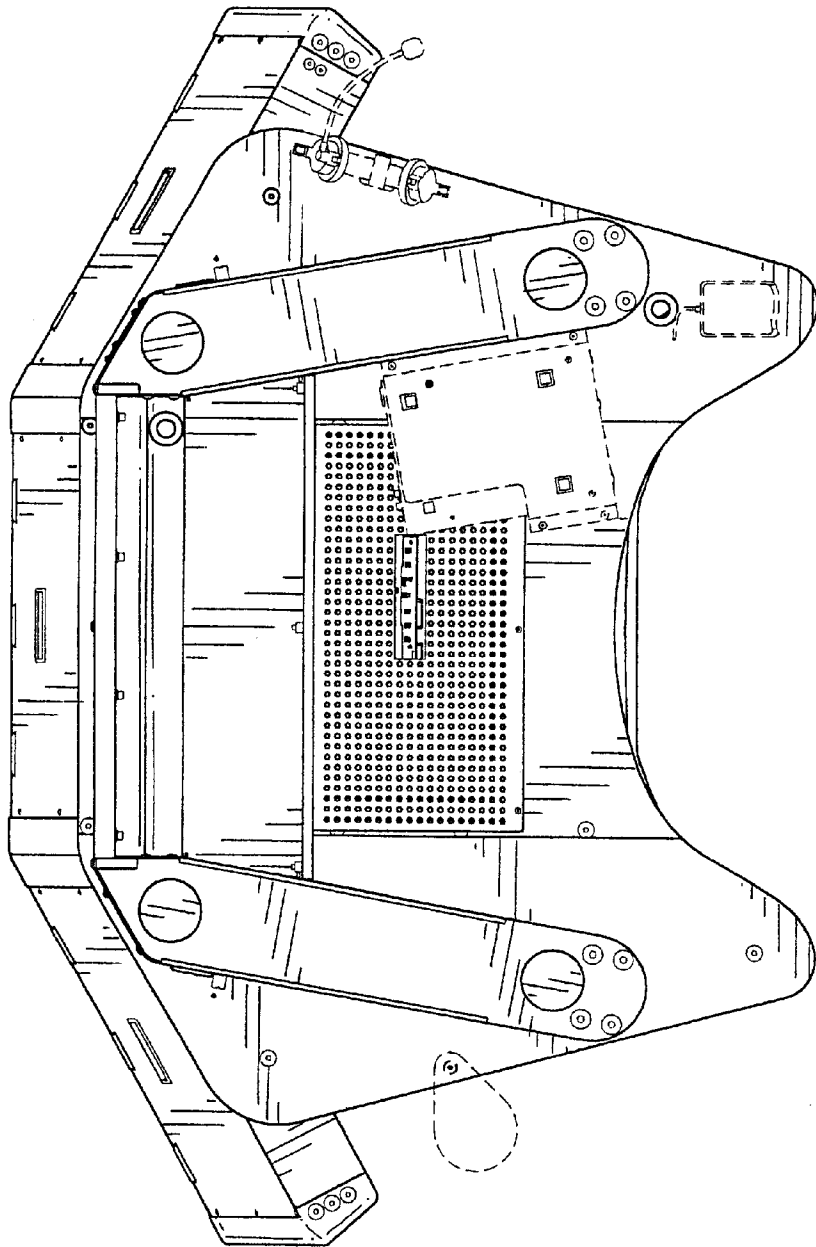


FIG. 8