



US00D745793S

(12) **United States Design Patent**
Kroll

(10) **Patent No.:** **US D745,793 S**

(45) **Date of Patent:** **** Dec. 22, 2015**

(54) **CROSS-SHAPED DISPLAY STAND**

(71) Applicant: **William F. Kroll**, Boca Raton, FL (US)

(72) Inventor: **William F. Kroll**, Boca Raton, FL (US)

(**) Term: **14 Years**

(21) Appl. No.: **29/475,451**

(22) Filed: **Dec. 3, 2013**

(51) **LOC (10) Cl.** **06-04**

(52) **U.S. Cl.**

USPC **D6/674**; D99/23; D99/27; D20/29

(58) **Field of Classification Search**

USPC D6/343, 352, 362, 391, 514, 519, 552,
D6/556, 573, 574, 629, 630, 641, 653,
D6/653.14, 653.21, 661.2, 670, 672, 673,
D6/674, 675, 675.1, 675.3, 675.4, 676.3,
D6/680.2, 685, 691.5; D11/86, 96, 125,
D11/157; D26/4, 125; D32/5; D99/17, 25,
D99/27; 428/3

CPC A47F 3/00

See application file for complete search history.

(56) **References Cited**

U.S. PATENT DOCUMENTS

2,246,122	A	*	6/1941	Brennan	428/3
D168,686	S	*	1/1953	Hunter	D6/450
D256,398	S	*	8/1980	Mitchell	D99/25
D370,282	S	*	5/1996	Grether	D26/4
D385,672	S	*	10/1997	Noris	D99/27
D525,163	S	*	7/2006	Balch	D11/86
D578,275	S	*	10/2008	Shantz et al.	D99/17
D618,135	S	*	6/2010	Horst	D11/157
D658,908	S	*	5/2012	Kroll	D6/674
D659,430	S	*	5/2012	Kroll	D6/674
D659,432	S	*	5/2012	Kroll	D6/674
D671,770	S		12/2012	Kroll		
D696,813	S	*	12/2013	Odisho et al.	D26/125
RE45,427	E	*	3/2015	Kroll	D6/674

OTHER PUBLICATIONS

Waterford Crystal Cross: Announced Sep. 27, 2012 [online] site visited [Jun. 22, 2015] available from Internet URL:<http://www1.bloomingdales.com/shop/product/waterford-crystal-standing-cross-8?ID=58774&CategoryID=3865&linkModule=1#fn=spp%3D1%26sp%3DNull%26rid%3DNull%26cm_kws%3Dwaterford%20crystal%20cross.*

Stone Cross: Announced Nov. 7, 2007 [online], site visited [Jun. 22, 2015]. Available from Internet URL:<http://www.hmdb.org/marker.asp?marker=3401.*

* cited by examiner

Primary Examiner — Thomas Johannes

Assistant Examiner — Catherine Posthauer

(74) *Attorney, Agent, or Firm* — Malin Haley DiMaggio & Bowen, P.A.

(57) **CLAIM**

The ornamental design for a cross-shaped display stand, as shown and described.

DESCRIPTION

FIG. 1 is a top right-hand front perspective view of a cross-shaped display stand in accordance with the present invention;

FIG. 2 is a bottom right-hand front perspective view thereof;

FIG. 3 is a front view thereof;

FIG. 4 is a rear view thereof;

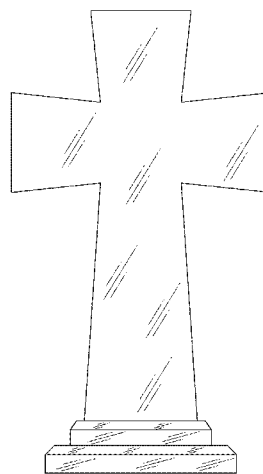
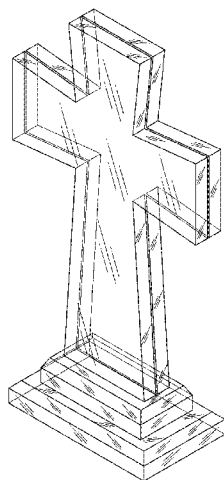
FIG. 5 is a right side view thereof, with the left side view being a mirror image;

FIG. 6 is a top view thereof; and,

FIG. 7 is a bottom view thereof.

Where included, broken lines showing environment are for illustrative purposes only and from no part of the claimed design. Where included, dot-dash lines represent the border between claimed and non-claimed subject matter and form no part of the claimed design. The drawings illustrate the claimed invention, and are not intended to limit the claimed invention to the scale and proportions depicted.

1 Claim, 5 Drawing Sheets



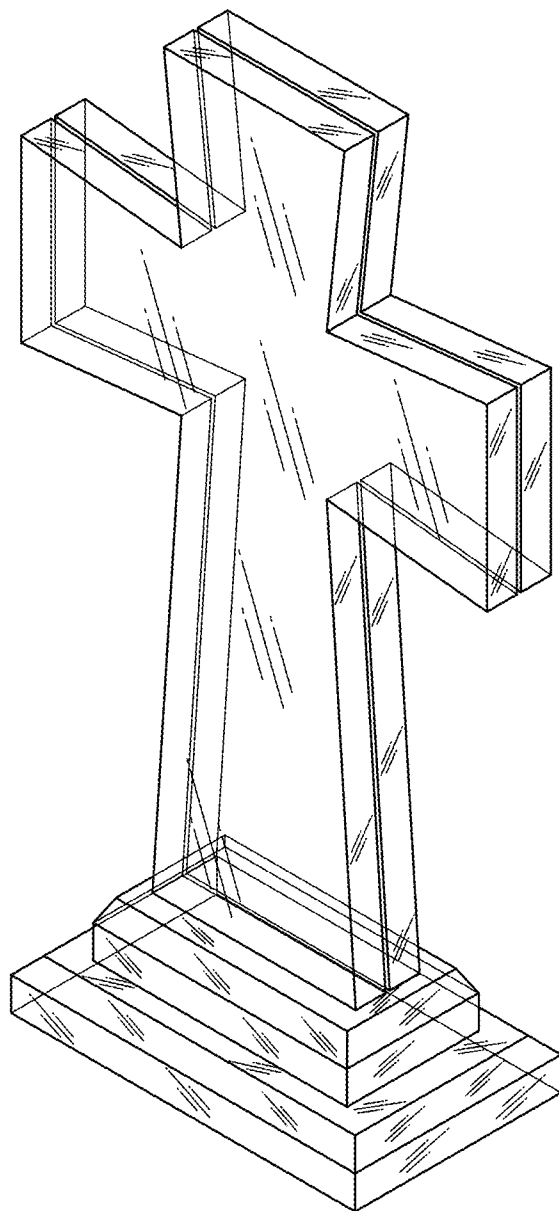


FIG. 1

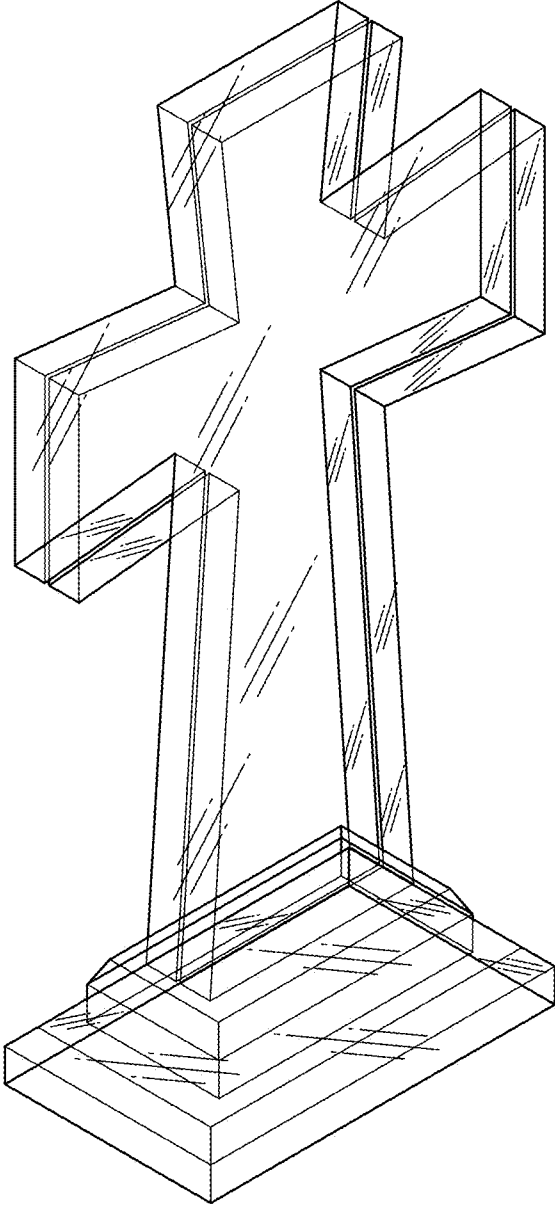


FIG. 2

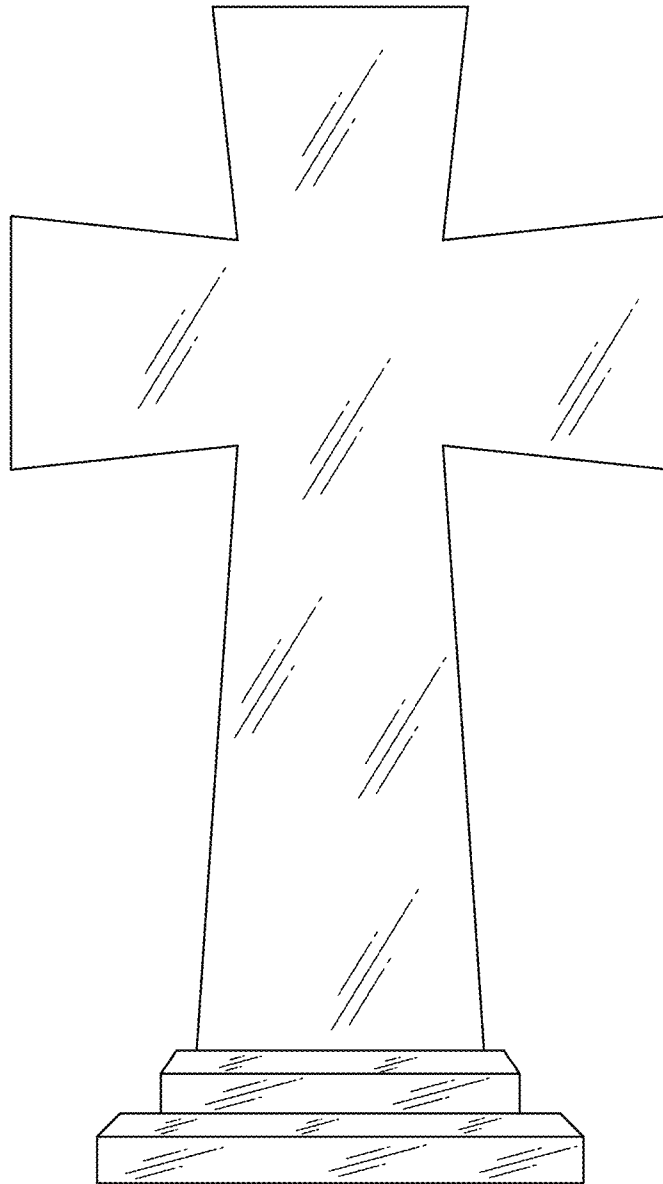


FIG. 3

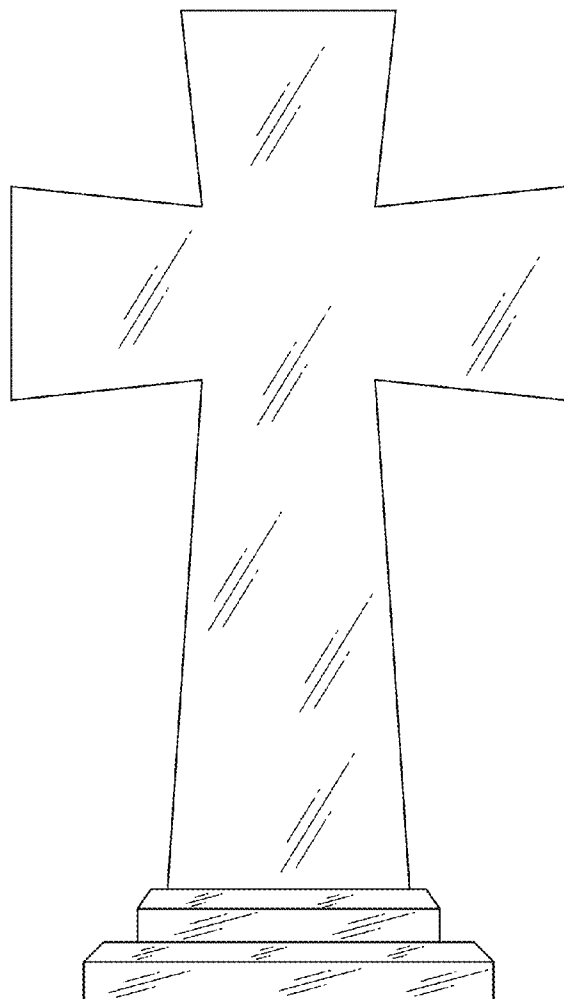


FIG. 4

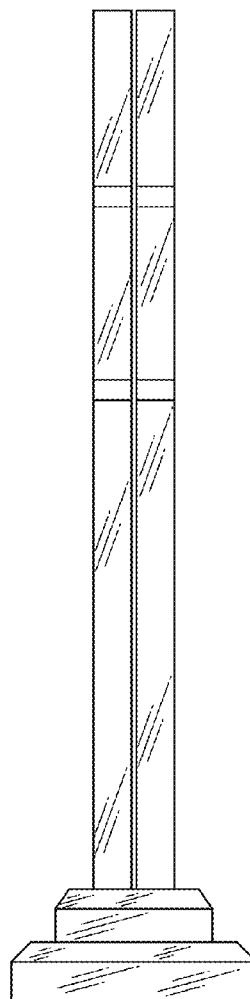


FIG. 5

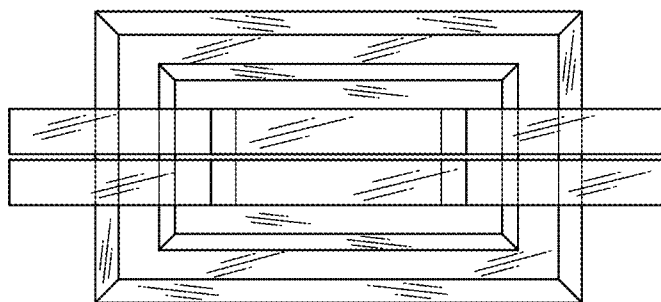


FIG. 6

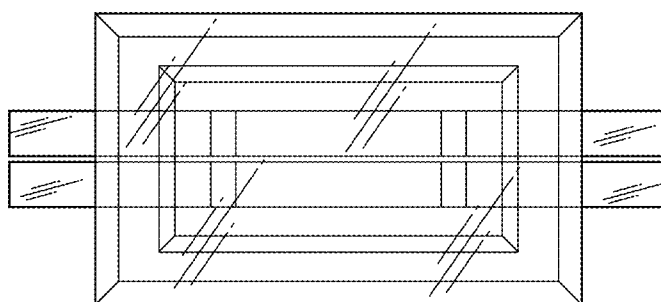


FIG. 7