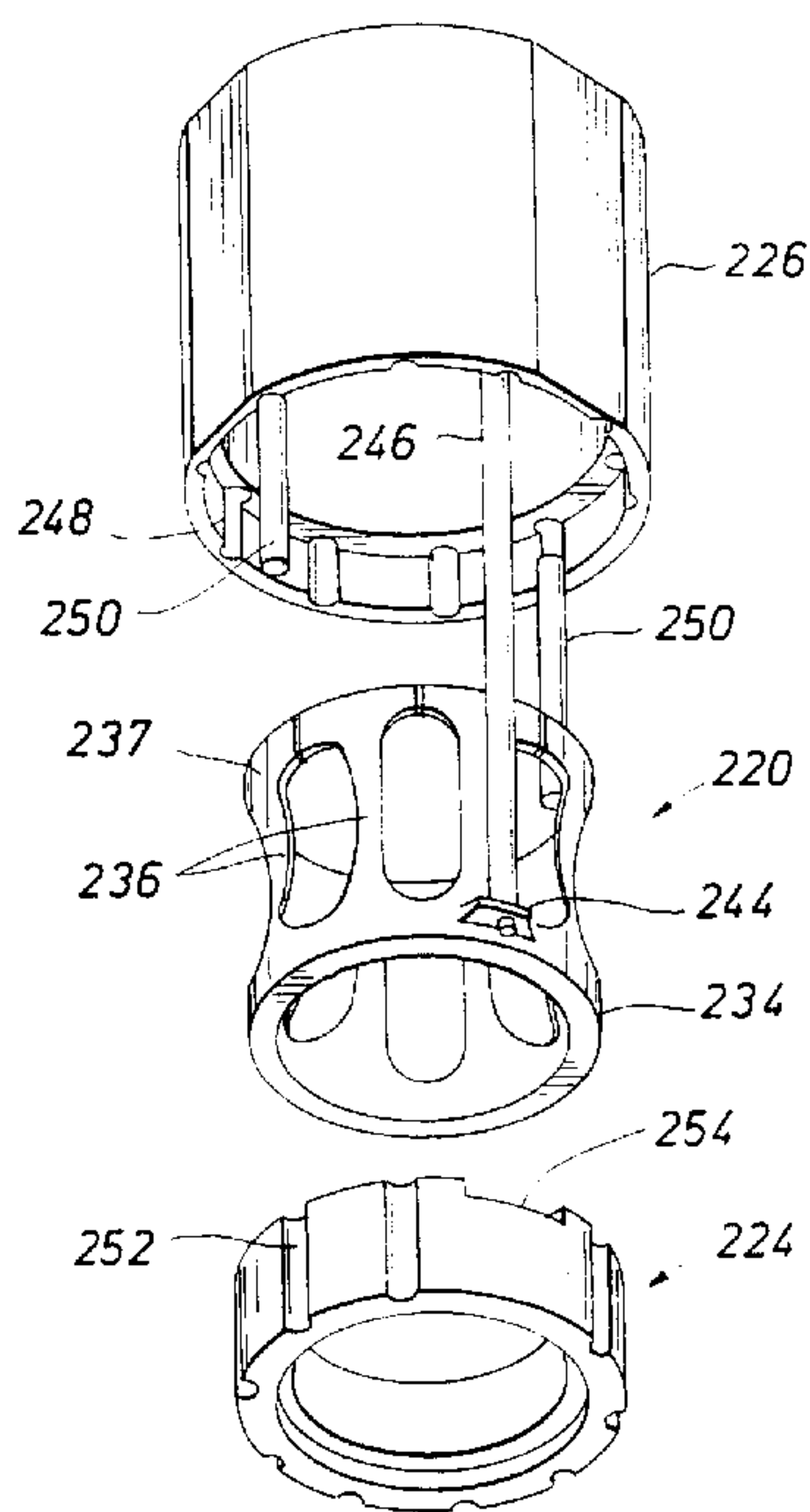




(11) (21) (C) **2,229,004**
(22) 1998/02/09
(43) 1998/08/19
(45) 2000/08/15

(72) BENSON, Walter R., US
(72) SAMPA, Augdon J., US
(73) SCHLUMBERGER CANADA LIMITED, CA
(51) Int.Cl.⁶ H01R 13/10
(30) 1997/02/19 (60/038,110) US
(30) 1997/06/05 (08/869,447) US
(54) **CONNECTEUR FEMELLE PAR VOIE HUMIDE**
(54) **FEMALE WET CONNECTOR**



(57) Connecteur électrique femelle adapté pour être descendu dans un puits sur un câble électrique, afin d'assurer une liaison à distance avec un connecteur mâle en conditions de fond. Le connecteur est constitué d'un boîtier pourvu d'un dispositif servant à fixer le connecteur électrique femelle au câble, d'un contact électrique femelle à l'intérieur du boîtier, ainsi que d'un isolant disposé entre le boîtier et le contact électrique

(57) A female electrical connector adapted to be lowered down a well on an electrical cable for remote connection to a down hole male connector. The connector includes a housing with an attachment for securing the female electrical connector to the cable, a female electrical contact within the housing, and an insulator disposed between the housing and the female electrical contact. The female electrical contact is in electrical





(11) (21) (C) **2,229,004**
(22) 1998/02/09
(43) 1998/08/19
(45) 2000/08/15

femelle. Ce contact électrique femelle est en communication électrique avec le câble et comprend un anneau circonférentiel définissant un axe central, ainsi qu'un doigt cantilever s'étendant en direction généralement axiale par rapport à l'anneau. Le doigt présente une première partie s'étendant en sens généralement radial vers l'intérieur depuis l'anneau, ainsi qu'une seconde partie s'étendant en sens généralement radial vers l'extérieur, depuis la première partie, vers une extrémité distale en direction axiale. La première et la seconde parties du doigt définissent, entre elles, une surface de contact étant la plus intérieure radialement. L'isolant est constitué d'un corps extérieur, entre l'anneau circonférentiel du contact électrique femelle et l'ouverture intérieure du boîtier, ainsi que d'un bord interne chevauchant, en direction axiale, l'extrémité distale du doigt cantilever. Le bord interne protège l'extrémité du doigt contre un engagement avec le connecteur mâle se déplaçant à l'intérieur du connecteur femelle. Certains modèles comprennent un joint racleur permettant d'enlever les débris sur le connecteur mâle lorsqu'il entre dans le boîtier. Des matériaux et méthodes préférés d'utilisation sont également décrits.

communication with the cable and includes a circumferential ring defining a central axis, and a cantilever finger extending generally axially from the ring. The finger has a first portion extending generally radially inward from the ring, and a second portion extending generally radially outward from the first portion to an axially-directed, distal end. The first and second portions of the finger define therebetween a radially innermost contact surface. The insulator includes an outer shell between the circumferential ring of the female electrical contact and the inner bore of the housing, and an inner lip axially overlapping the distal end of the cantilever finger. The inner lip shields the finger end against engagement with the male connector moving within the female connector. Some embodiments have a wiper seal arranged to wipe debris from the male connector as it enters the housing. Preferred materials and methods of use are disclosed.



FEMALE WET CONNECTORAbstract of the Disclosure

5 A female electrical connector adapted to be lowered
down a well on an electrical cable for remote connection to
a down hole male connector. The connector includes a
housing with an attachment for securing the female
electrical connector to the cable, a female electrical
10 contact within the housing, and an insulator disposed
between the housing and the female electrical contact. The
female electrical contact is in electrical communication
with the cable and includes a circumferential ring defining
a central axis, and a cantilever finger extending generally
15 axially from the ring. The finger has a first portion
extending generally radially inward from the ring, and a
second portion extending generally radially outward from the
first portion to an axially-directed, distal end. The first
and second portions of the finger define therebetween a
20 radially innermost contact surface. The insulator includes
an outer shell between the circumferential ring of the
female electrical contact and the inner bore of the housing,
and an inner lip axially overlapping the distal end of the
cantilever finger. The inner lip shields the finger end
25 against engagement with the male connector moving within the
female connector. Some embodiments have a wiper seal
arranged to wipe debris from the male connector as it enters
the housing. Preferred materials and methods of use are
disclosed.

5

10

15

FEMALE WET CONNECTORBackground of the Invention

20 This invention relates to female connectors adapted to be connected down hole with male connectors of wireline tools in oil wells.

Once an oil well is drilled, it is common to log certain sections of the well with electrical instruments. 25 These instruments are sometimes referred to as "wireline" instruments, as they communicate with the logging unit at the surface of the well through an electrical wire or cable with which they are deployed. In vertical wells, often the instruments are simply lowered down the well on the logging 30 cable. In horizontal or highly deviated wells, however, gravity is frequently insufficient to move the instruments to the depths to be logged. In these situations, it is sometimes necessary to push the instruments along the well with drill pipe.

35 Wireline logging with drill pipe can be difficult, however, because of the presence of the cable. It is cumbersome and dangerous to pre-string the electrical cable through all of the drill pipe before lowering the instruments into the well. Some deployment systems have 40 therefore been developed, such as Schlumberger's Tough

Logging Conditions System (TLCS), that make the electrical connection between the instruments and the cable down hole, after the instruments have been lowered to depth. In these systems, the electrical instruments are easily deployed with
5 standard drill pipe, and the cable is then run down the inside of the drill pipe and connected. After logging, the cable can be easily detached from the logging tool and removed before the tool is retrieved. The TLCS has been very effective and has achieved strong commercial
10 acceptance.

In the TLCS and other systems, the cable is remotely connected to the instrumentation with a down hole connector. One half portion of this connector is attached to the instrumentation and lowered into the well on drill pipe.
15 The other half portion of the connector is attached to the end of the cable and pumped down the drill pipe with a flow of mud that circulates out of open holes at the bottom of the drill pipe and into the well bore. The connector is sometimes referred to as a "wet connector" because the
20 connection is made in the flow of drilling mud under conditions that challenge electrical connection reliability.

The female contacts of the wet connector must provide a positive contact pressure against the male contact surfaces in order to ensure a reliable electrical
25 connection. Providing a female contact having cantilevered spring fingers has been shown to work well for applying such pressure, although the exposed distal ends of the fingers can occasionally snag on the male connector during disengagement, damaging the female connector. Formed by
30 bending thin sheet stock, such fingers also tend to be eventually displaced permanently radially outward, reducing their ability to provide a positive contact pressure and resulting in poor, sometimes intermittent, contact.

Summary of the Invention

According to one aspect of the invention, a female
5 electrical connector adapted to be lowered down a well on an
electrical cable for remote connection to a downhole male
connector for electrical communication between the male
connector and the surface of the well through the cable is
provided. The female electrical connector includes a
10 housing with an attachment for securing the female
electrical connector to the cable, a female electrical
contact within the housing, and an insulator disposed
between the housing and the female electrical contact in a
manner to resist electrical conduction between the female
15 electrical contact and the housing. The housing defines an
inner bore with an open end for receiving the male
connector. The female electrical contact is in electrical
communication with the cable and includes a circumferential
ring defining a central axis, and a cantilever finger
20 extending generally axially from the ring. The finger has a
first portion extending generally radially inward from the
ring, and a second portion extending generally radially
outward from the first portion to an axially-directed,
distal end. The first and second portions of the finger
25 define therebetween a radially innermost contact surface.
The insulator includes an outer shell disposed between the
circumferential ring of the female electrical contact and
the inner bore of the housing, and an inner lip axially
overlapping the distal end of the cantilever finger of the
30 female electrical contact. The inner lip is disposed
radially inward of the distal end of the cantilever finger
in a manner to shield the finger end against engagement with
the male connector moving within the female connector.

In some embodiments, the female electrical contact is a unitary element of electrically conductive material, preferably beryllium copper. In some instances the female electrical contact has a gold plating.

5 In some embodiments, the female connector also has a wiper seal disposed within the housing between the open end of the housing and the female electrical contact. The wiper seal is arranged to engage an exposed surface of the male connector as the male connector enters the female connector,
10 in a manner to wipe debris from the exposed surface. Preferably, the inner diameter of the wiper seal is about equal to the inner diameter of the female electrical contact, as defined by the radially innermost contact surface of the female electrical contact.

15 The female electrical contact, in some embodiments, further includes a solder lug in electrical communication with, and extending radially outward from, the circumferential ring. In some arrangements, the insulator defines an axial wire hole extending therethrough for
20 routing the cable to the solder lug.

In some embodiments, the female electrical contact has at least six cantilever fingers arranged about the circumferential ring.

25 In some embodiments the width of the finger, measured transversely to the radius of the circumferential ring, tapers toward the radially innermost contact surface.

The radially innermost contact surface, in some constructions, has an inner surface with a length, measured along the axis of the contact, of about one-fourth the
30 length of the finger.

In some instances, the finger of the contact has a radial thickness of about 75 percent of the radial distance between the radially innermost contact surface and the inner

radius of the circumferential ring.

In some embodiments, the female connector also includes a displaceable shuttle extending inside the contact along the contact axis to a sealed end, to seal the interior
5 of the connector until displaced by the male connector.

In some embodiments for use with a cable having multiple conductors, the connector has a series of female electrical contacts concentrically arranged along a common axis. Each of the female electrical contacts is in
10 electrical contact with a corresponding conductor of the cable, is disposed within one of the insulators within the housing, and is electrically insulated from the other female electrical contacts and conductors. Preferably such a construction includes the above-described wiper seals
15 disposed within the housing and arranged between the female electrical contacts to engage an exposed surface of the male connector as the male connector enters the female connector, in a manner to wipe debris from the exposed surface. The series of female electrical contacts preferably includes at
20 least four such contacts, most preferably at least eight such contacts.

The female electrical contact is preferably formed by the process of machining the contact, in its finished form, from a unitary piece of material.

25 The above-described features are combined, in various embodiments, as required to satisfy the needs of a given application.

According to another aspect of the invention, a female contact is provided for an electrical connector
30 adapted to engage a male connector to form an electrical connection. The female contact has a circumferential ring defining a central axis, and a cantilever finger extending generally axially from the ring. The finger has a first

portion extending generally radially inward from the ring,
and a second portion extending generally radially outward
from the first portion to an axially-directed, distal end.
The first and second portions define therebetween a radially
5 innermost contact surface for contacting an outer surface of
the male connector.

According to another aspect of the invention, a
method of making an electrical connection with a male
connector of a downhole tool in a well for communication
10 between the tool and the well surface includes the steps of:

1. lowering the female connector of claim 1 down the
well on an electrical cable, and

2. engaging the female connector with the male
connector to form an electrical contact.

15 In some embodiments, the step of lowering the female
connector down the well includes pumping the female
connector along the well with a flowing fluid.

The female connector of the invention can provide
improved connection reliability and repeatability, avoiding
20 contact element failures that can result from contact finger
ends engaging the moving male connector. The construction
of the fingers of the connector can enable repeated usage
with much lower risk of permanent finger deformation and the
resultant lack of contact pressure. The connector can be
25 easily assembled, and is particularly adapted for use in wet
environments, such as are found in oil wells.

Brief Description of the Drawing

30 Figs. 1-5 sequentially illustrate the use of a
remotely-engaged electrical connector with a well logging
tool.

Figs. 6A-6C illustrate the construction of the downhole half portion of the connector (the DWCH) of Fig. 1.

Fig. 6D is a cross-sectional view taken along line 6D-6D in Fig. 6B.

5 Figs. 7A-7C illustrate the construction of the cable half portion of the connector (the PWCH) of Fig. 1.

Fig. 7D is a cross-sectional view taken along line 7D-7D in Fig. 7B.

10 Fig. 8 shows an alternative arrangement of the upper end of the PWCH.

Fig. 9 illustrates a function of the swab cup in a pipe.

Fig. 9A shows a swab cup arranged at the lower end of a tool.

15 Fig. 10 is an enlarged, exploded view of the swab cup and related components.

Fig. 11 is an enlarged view of the female connector assembly of Fig. 7B.

20 Fig. 12 is an exploded perspective view of a sub-assembly of the female connector assembly of Fig. 11.

Fig. 13 is an enlarged view of area 13 in Fig. 11.

Fig. 14 is an enlarged view of the multi-pin connector of Fig. 7B.

25 Fig. 15 is an end view of the connector, as viewed from direction 15 in Fig. 14.

Description of Preferred Embodiments

30 Referring first to Figs. 1 through 5, the downhole connection system is suitable for use with wireline logging tools 10 in either an open hole well or a cased well 12, and is especially useful in situations in which the well is deviated and/or the zone to be logged (e.g., zone 14) is at

significant depth. In these figures, well 12 has a horizontal section 16 to be logged in zone 14, and is cased with a casing 18 that extends from the well surface down to a casing shoe 20.

5 As shown in Fig. 1, logging tools 10 are equipped with a down hole wet-connector head (DWCH) 22 that connects between an upper end of the logging tools and drill pipe 24.

10 As will be more fully explained below, DWCH 22 provides a male part of a downhole electrical connection for electrical communication between logging tools 10 and a mobile logging unit 26. During the first step of the logging procedure, logging tools 10 and DWCH 22 are lowered into well 12 on connected lengths of standard drill pipe 24 until tools 10 reach the upper end of the section of well to be logged
15 (e.g., the top of zone 14). Drill pipe 24 is lowered by standard techniques and, as the drill pipe is not open for fluid inflow from the well, at regular intervals (e.g., every 2000 to 3000 feet) the drill pipe is filled with drilling fluid (i.e., mud).

20 As shown in Fig. 2, when tools 10 have reached the top of zone 14, a pump-down wet-connector head (PWCH) 28 is lowered into the inner bore of the drill pipe on an electrical cable 30 that is reeled from logging unit 26. PWCH 28 has a female connector part to mate with the male
25 connector part of the DWCH. A cable side-entry sub (CSES) 32, pre-threaded with cable 30 to provide a side exit of the cable from the made-up drill pipe, is attached to the upper end of drill pipe 24 and a mud cap 34 (e.g., of a rig top drive or Kelly mud circulation system) is attached above
30 CSES 32 for pumping mud down the drill pipe bore. Standard mud pumping equipment (not shown) is used for this purpose.

As will be discussed later, a specially constructed swab cup on the PWCH helps to develop a pressure force on PWCH

28, due to the flow of mud down the drill pipe, to push the PWCH down the well and to latch it onto DWCH 22 to form an electrical connection. A special valve (explained below) in DWCH 22 allows the mud flow to circulate from the drill pipe to the well bore.

As shown in Fig. 3, PWCH 28 is pumped down drill pipe 24 until it latches with DWCH 22 to form an electrical connection between logging tools 10 and logging unit 26. At this point, the mud flow can be stopped and mud cap 34 removed from the top of the drill pipe. Logging tools 10 can be powered up to check system function or to perform a preliminary log as the logging tools are lowered to the bottom of the well.

As shown in Fig. 4, logging tools 10, DWCH 22 and PWCH 28 are lowered or pushed down to the bottom of the well by standard drill pipe methods, adding additional sections of drill pipe 24 as required. During this process, CSES 32 remains attached to the drill pipe, providing a side exit for cable 30. Above CSES 32, cable 30 lies on the outside of drill pipe 24, avoiding the need to pre-string cable 30 through any sections of drill pipe other than CSES 32. The lowering process is coordinated between the logging unit operator and the drill pipe operator to lower the drill pipe and the cable simultaneously.

At the bottom of the well, the sensor fingers or pad devices 36 of the logging tool (if equipped) are deployed, and the logging tools are pulled back up the well to the top of zone 14 as the sensor readings are recorded in well logging unit 26. As during the lowering process, the raising of the logging tool is coordinated between the logging unit operator and the drill pipe operator such that the cable and the drill pipe are raised simultaneously.

Referring to Fig. 5, after the logging is complete, the downhole power is turned off and PWCH 28 is detached from DWCH 22 and brought back up the well. CSES 32 and PWCH 28 are removed from the drill pipe and the rest of the drill pipe, including the DWCH and the logging tools, are
5 retrieved.

Referring to Figs. 6A through 6C, DWCH 22 has two major subassemblies, the downhole wet-connector compensation cartridge (DWCC) 38 and the downhole wet-connector latch
10 assembly (DWCL) 40. The lower end 41 of DWCC 38 connects to the logging tools 10 (see Fig. 1).

The DWCL 40 is the upper end of DWCH 22, and has an outer housing 42 which connects, at its lower end, to DWCC 38 at a threaded joint 44 (Fig. 6B). Attached to the inside
15 surface of DWCL housing 42 with sealed, threaded fasteners 46 is a latch assembly which has three cantilevered latch fingers 48 extending radially inwardly and toward the DWCC for securing PWCH 28. Two axially separated centralizers 50
20 are also secured about the inside of DWCL housing 42 for guiding the lower end of the PWCH to mate with the male connector assembly 52 of the DWCC.

The DWCC 38 contains the electrical and hydraulic components of the DWCH. It has an outer housing 54 attached via a threaded joint 55 to a lower bulkhead assembly 56
25 having internal threads 57 at its lower end for releasably attaching the DWCH to logging tools. At the upper end of housing 54 is a threaded joint 58 joining housing 54 to a coupling 60. Split threaded sleeves 62 at joints 44, 55 and
30 58 enable the DWCH housing components 54, 60, 42 and 56 to be coupled without rotating either end of the DWCH. Bulkhead assembly 56 contains a sealed bulkhead electrical connector 64 for electrically connecting the DWCH to the logging tools.

One function of DWCC 38 is to provide exposed electrical contacts (in the form of male connector assembly 52) that are electrically coupled to the logging tools through bulkhead connector 64. This electrical coupling is provided through a multi-wire cable 66 that extends upward through a sealed wire chamber 68 to the individual contacts 102 of connector assembly 52. Cable 66 extends upward through an oil tube 71 through the center of the DWCH. Chamber 68 is sealed by individual o-ring contact seals 70 of connector assembly 52, o-ring seals 72 on oil tube 71, o-ring seals 74 and 76 on piston 77, and o-rings 78 on bulkhead assembly 56, and is filled with an electrically insulating fluid, such as silicone oil. The pressure in chamber 68 is maintained at approximately the pressure inside the drill pipe 24 (Fig. 1) near the top of DWCH 22 by the pressure compensation system described more fully below.

A mud piston assembly 80 (Fig. 6B), consisting of a piston 82, a piston collar 84, a piston stop 86, seals 88 and sliding friction reducers 90, is biased in an upward direction against piston stop nut 92 by a mud piston spring 94. With the mud piston assembly in the position shown, with stop 86 against nut 92, piston 82 effectively blocks fluid from moving between the well annulus 96 (the area between the drill pipe and the well bore; see Fig. 1) and the inside of the drill pipe (i.e., interior area 98) through three side ports 100 spaced about the diameter of the DWCH. In operation, mud piston assembly 80 remains in this port-blocking position until there is sufficient pressure in interior area 98 in excess of the pressure in well annulus 96 (acting against the upper end of piston 82) to overcome the biasing preload force of spring 94 and move the mud piston assembly downward, compressing spring 94 and exposing ports 100. Once exposed, ports 100 allows normal

forward circulation of mud down the drill pipe and out through ports 100 into the well. Once mud pumping pressure is stopped, mud piston spring 94 forces mud piston assembly 80 back up to its port-blocking position. By blocking
5 ports 100 in the DWCL housing 42 in the absence of mud pumping pressure in the drill pipe, mud piston assembly 80 effectively prevents undesirable inflow from the well into the drill pipe. This is especially useful in avoiding a well blow out through the drill pipe, and in keeping mud-
10 carried debris from the well from interfering with proper function of the latching and electrical portions of the system. It also helps to prevent "u-tubing", in which a sudden inrush of well fluids and the resultant upward flow of mud in the drill pipe can cause the DWCH and PWCH to
15 separate prematurely.

Male connector assembly 52 is made up of a series of nine contact rings 102, each sealed by two o-ring seals 70 and separated by insulators 104. The interior of this assembly of contact rings and insulators is at the pressure
20 of chamber 68, while the exterior of this assembly is exposed to drill pipe pressure (i.e., the pressure of interior area 98). In order to maintain the structural integrity of this connector assembly, as well as the reliability of seals 70, it is important that the pressure
25 difference across the connector assembly (i.e., the difference between the pressure in chamber 68 and the pressure in area 98) be kept low. Too great of a pressure difference (e.g., over 100 psi) can cause seals 70 to fail or, in extreme cases, for the connector assembly to
30 collapse. Even minor leakage of electrically conductive drilling mud through seals 70 into chamber 68, due in part to a large difference between drill pipe pressure and the pressure in chamber 68, can affect the reliability of the

electrical systems.

The pressure compensation system maintains the pressure differential across the male connector assembly within a reasonable level, and biases the pressure difference such that the pressure in chamber 68 is slightly greater (up to 50 to 100 psi greater) than the pressure in area 98. This "over-compensation" of the pressure in chamber 68 causes any tendency toward leakage to result in non-conductive silicone oil from chamber 68 seeping out into area 98, rather than conductive drilling muds flowing into chamber 68. An annulus 106 about oil tube 71, formed in part between oil tube 71 and a mud shaft 108 concentrically surrounding oil tube 71, conveys drilling mud pressure from area 98, through holes 110, to act against the upper side of piston 77. The mud pressure is transferred through piston 77, sealed by o-ring seals 74 and 76, into oil chamber 68.

During assembly of the DWCC, oil chamber 68 is filled with an electrically insulative fluid, such as silicone oil, through a one-way oil fill check valve 112 (Fig. 6D), such as a Lee brand check valve CKFA1876015A. To properly fill the oil chamber, a vacuum is first applied to the chamber through a bleed port 114. With the vacuum applied, oil is back filled into chamber 68 through bleed port 114. This is repeated a few times until the chamber has been completely filled. Then the vacuum is removed, port 114 is sealed with a plug 116, and more oil is pumped into chamber 68 through check valve 112, extending a compensation spring 118, until a one-way pressure-limiting check valve 119 in piston 77 opens, indicating that the pressure in chamber 68 has reached a desired level above the pressure in chamber 98 (which, during this filling process, is generally at atmospheric pressure). When valve 119 indicates that the desired pressure is reached (preferably

50 to 100 psi, typically), the oil filling line is removed from one-way check valve 112, leaving chamber 68 pressurized.

Mud chamber fill ports 120 in coupling 60 allow mud annulus 106 and the internal volume above piston 77 to be pre-filled with a recommended lubricating fluid, such as motor oil, prior to field use. The lubricating fluid typically remains in the DWCH (specifically in annulus 106 and the volume above piston 77) during use in the well and is not readily displaced by the drilling mud, thereby simplifying tool maintenance. In addition to the lubricating fluid, generous application of a friction-reducing material, such as LUBRIPLATE™, is recommended for all sliding contact surfaces.

Referring to Figs. 7A through 7C, PWCH 28 contains a female connector assembly 140 for mating with the male connector assembly 52 of DWCH 22 down hole. As the PWCH is run down the well, before engaging the DWCH, a shuttle 142 of an electrically insulating material is biased to the lower end of the PWCH. A quad-ring seal 144 seals against the outer diameter of shuttle 142 to keep well fluids out of the PWCH until the shuttle is displaced by the male connector assembly of the DWCH. A tapered bottom nose 146 helps to align the PWCH for docking with the PWCH.

When pushed into the DWCH by sufficient inertial or mud pressure loads, the lower end of the PWCH extends through latch fingers 48 of the DWCH (Fig. 6A) until the latch fingers snap behind a frangible latch ring 148 on the PWCH. Once latch ring 148 is engaged by the latch fingers of the DWCH, it resists disengagement of the DWCH and PWCH, e.g., due to drill pipe movement, vibration or u-tubing. Latch ring 148 is selectable from an assortment of rings of

different maximum shear load resistances (e.g., 1600 to 4000 pounds, depending on anticipated field conditions) such that the PWCH may be released from the DWCH after data collection by pulling upward on the deployment cable until latch ring 148 shears and releases the PWCH.

The PWCH has an outer housing 150 and a rope socket housing weldment 152 connected by a coupling 154 and appropriate split threaded rings 156. Within outer housing 150 is a wire mandrel sub-assembly with an upper mandrel 158 and a lower mandrel 160. Slots 162 in the upper wire mandrel and holes 163 (Fig. 7D) through the outer housing form an open flow path from the interior of the drill pipe to a mud chamber 164 within the wire mandrel sub-assembly. The signal wires 165 from the female connector assembly 140 are routed between the outer housing 150 and the wire mandrel along axial grooves in the outer surface of lower mandrel 160, through holes 166 in upper mandrel 158, through wire cavity 168, and individually connected to lower pins of connector assembly 170.

Like the DWCH, the PWCH has a pressure compensation system for equalizing the pressure across shuttle 142 while keeping the electrical components surrounded by electrically insulative fluid, such as silicone oil, until the shuttle is displaced. An oil chamber 172 is defined within lower mandrel 160 and separated from mud chamber 164 by a compensation piston 174 with an o-ring seal 175. Piston 174 is free to move within lower mandrel 160, such that the pressure in the mud and oil chambers is substantially equal.

Upper and lower springs 176 and 178 are disposed within mud and oil chambers 164 and 172, respectively, and bias shuttle 142 downward. Oil chamber 172 is in fluid communication with wire cavity 168 and the via the wire routing grooves in lower mandrel 160 and wire holes 166 in upper mandrel 158,

sealed against drill pipe pressure by seals 180 about the upper mandrel. Therefore, with the shuttle positioned as shown, drill pipe fluid acts against the upper end of compensating piston 174, which transfers pressure to oil chamber 172 and the upper end of shuttle 174, balancing the fluid pressure forces on the shuttle. Fill ports 182 and 184, at upper and lower ends of the oil-filled portion of the PWCH, respectively, allow for filling of oil chamber 172 and wire cavity 168 after assembly. A pressure relief valve 186 in the compensating piston allows the oil chamber to be pressurized at assembly up to 100 psi over the pressure in mud chamber 164 (i.e., atmospheric pressure during assembly).

The upper end of the PWCH provides both a mechanical and an electrical connection to the wireline cable 30 (Fig. 2). Connector assembly 170 has nine electrically isolated pins, each with a corresponding insulated pigtail wire 188 for electrical connection to individual wires of cable 30. A connector retainer 189 is threaded to the exposed end of coupling 154 to hold the connector in place. The specific construction of connector assembly 170 is discussed in more detail below.

To assemble the upper end of the PWCH to the cable, rope socket housing 152 is first threaded over the end of the cable, along with split cable seal 190, seal nut 192, and upper and lower swab cup mandrels 194 and 196, respectively. A standard, self-tightening rope socket cable retainer 197 is placed about the cable end for securing the cable end to the rope socket housing against an internal shoulder 198. The wires of the cable are connected to pigtail wires 188 from the connector assembly, rope socket housing 152 is attached to coupling 154 with a threaded split ring 156, and the rope socket housing is pumped full

of electrically insulative grease, such as silicone grease, through grease holes 200. Swab cup 202, discussed in more detail below, is installed between upper and lower swab cup mandrels 194 and 196 to restrict flow through the drill pipe
5 around the PWCH and develop a pressure force for moving the PWCH along the drill pipe and latching the PWCH to the DWCH down hole. Upper swab cup mandrel 194 is threaded onto rope socket housing 152 to hold swab cup 202 in place, and seal nut 192 is tightened.

10 Referring to Fig. 8, an alternate arrangement for the upper end of the PWCH has two swab cups 202a and 202b, separated by a distance L, for further restricting flow around the PWCH. This arrangement is useful when light, low-viscosity muds are to be used for pumping, for instance.
15 A rope socket housing extension 204 appropriately connects the mandrels of the two swab cups. More than two swab cups may also be used.

Referring to Fig. 9, swab cup 202 creates a flow restriction and a corresponding pressure drop at point A.
20 Because the upstream pressure (e.g., the pressure at point B) is greater than the downstream pressure (e.g., the pressure at point C), a net force is developed on the swab cup to push the swab cup and its attached tool downstream. As shown in Fig. 9A, a swab cup (e.g., swab cup 202c) may
25 alternatively be positioned near the bottom of a tool 206 to pull the tool down a pipe or well. This arrangement may be particularly useful, for example, for centering the tool to protect extended features near its downstream end or with large pipe/tool diameter ratios or small tool
30 length/diameter ratios. The desired radial gap Δ_r between the outer surface of the swab cup and the inner surface of the pipe is a function of several factors, including fluid

viscosity. We have found that a radial gap of about 0.05 inch per side (i.e., a diametrical gap of 0.10 inch) works with most common well-drilling muds.

Referring to Fig. 10, swab cup 202 is injection
5 molded of a resilient material such as VITON or other
fluorocarbon elastomer, and has a slit 210 down one side to
facilitate installation and removal without detaching the
cable from the tool. Tapered sections 214 and 216 of the
10 swab cup fit into corresponding bores in the upper and lower
swab cup mandrels 194 and 196, respectively, and have outer
surfaces that taper at about 7 degrees with respect to the
longitudinal axis of the swab cup. The length of the
tapered sections helps to retain the swab cup within the
bores of the housing. In addition, six pins 217 extend
15 through holes 218 in the swab cup, between the upper and
lower swab cup mandrels, to retain the swab cup during use.

Circular trim guides 219 are molded into a surface of the
swab cup to aid cutting of the cup to different outer
diameters to fit various pipe sizes. Other resilient
20 materials can also be used for the swab cup, although
ideally the swab cup material should be able to withstand
the severe abrasion that can occur along the pipe walls and
the great range of chemicals that can be encountered in
wells. Other, non-resilient materials that are also useful
25 are soft metals, such as brass or aluminum, or hard
plastics, such as polytetrafluoroethylene (TEFLON™) or
acetal homopolymer resin (DELRIN™). Non-resilient swab
cups can be formed in two overlapping pieces for
installation over a pre-assembled tool.

30 Referring to Fig. 11, female connector assembly 140
of the PWCH has a series of female contacts 220 disposed
about a common axis 222. The contacts have a linear

spacing, d , that corresponds to the spacing of the male contacts of the male connector assembly of the DWCH (Fig. 6A), and a wiper seal 224. Contacts 220 and wiper seals 224 are each held within a corresponding insulator 226. The
5 stack of contacts, wiper seals and insulators is contained within an outer sleeve 228 between an end retainer 230 and an upper mandrel 232.

Referring also to Figs. 12 and 13, each contact 220 is machined from a single piece of electrically conductive
10 material, such as beryllium copper, and has a sleeve portion 234 with eight (preferably six or more) extending fingers 236. Contact 220 is preferably gold-plated. Fingers 236 are each shaped to bow radially inward, in other words to have, from sleeve portion 234 to a distal end 237, a first
15 portion 238 that extends radially inward and a second portion 240 that extends radially outward, forming a radially innermost portion 242 with a contact length d_c of about 0.150 inch. By machining contact 220 from a single
20 piece of stock, fingers 236, in their relaxed state as shown, have no residual bending stresses that tend to reduce their fatigue resistance.

The inner diameter d_i of contact 220, as measured between contact surfaces 242 of opposite fingers, is slightly smaller than the outer diameter of male electrical
25 contacts 102 of the DWCH (Fig. 6A), such that fingers 236 are pushed outward during engagement with the male connector and provide a contact pressure between contact surfaces 242 and male contacts 102. The circumferential width, w , of each finger tapers to a minimum at contact surface 242. We
30 have found that machining the contact such that the length d_c of contact surfaces 242 is about one-fourth of the overall length d_f of the fingers, and the radial thickness, t , of the fingers is about 75 percent of the radial

distance, r , between the inner surface of sleeve portion 234 and contact surfaces 242, results in a contact construction that withstands repeated engagements.

Wiper seals 224 are preferably molded from a resilient fluorocarbon elastomer, such as VITON™. The inner diameter d_2 of wiper seals 224 is also slightly smaller than the outer diameter of the male contacts, such that the wiper seals tend to wipe debris from the male contact surface during engagement. Preferably, the inner diameters d_1 and d_2 of the contacts and wiper seals are about equal. Wiper seals 224 are molded from an electrically insulative material to reduce the possibility of shorting between contacts in the presence of electrically conductive fluids.

Contact 220 has a solder lug 244 machined on one side of its sleeve portion 234 for electrically connecting a wire 246. As shown in Fig. 12, as wired contact 220 is inserted into insulator 226, wire 246 is routed through a hole 248 in the insulator. Alignment pins 250 in other holes 248 in the insulator fit into external grooves 252 of wiper seal 224 to align the wiper seal to the insulator. A notch 254 on the wiper seal fits around solder lug 244. Insulators 226 and wiper seals 224 are formed with sufficient holes 248 and grooves 252, respectively, to route all of the wires 246 from each of contacts 220 in the female connector to the upper end of the assembly for attachment to seal assembly 170 (Fig. 7B).

With contact 220 inserted into insulator 226, the distal ends 237 of the contact fingers lie within an axial groove 256 formed by an inner lip 258 of the insulator. Lip 258 protects the distal ends of the fingers from being caught on male connector assembly surfaces during

disengagement of the PWCH from the DWCH.

Referring to Fig. 14, connector assembly 170 of the PWCH has a molded connector body 280 of an electrically insulative material, such as polyethylketone, polyethyletherketone or polyaryletherketone. Body 280 is designed to withstand a high static differential pressure of up to, for instance, 15,000 psi across an o-ring in o-ring groove 281, and has through holes 282 into which are pressed electrically conductive pins 284 attached to lead wires 286. (Lead wires 286 form pigtail wires 188 of Fig. 7B.) Gold-plated pins 284 of 17-4 stainless steel are pressed into place until their lower flanges 288 rest against the bottoms of counterbores 290 in the connector body. To seal the interface between the connector body and the lead wires, a wire seal 292 is molded in place about the wires and the connector body after the insulation on the individual lead wires has been etched for better adhesion to the seal material. Seal 292 must also withstand the high differential pressures of up to 15,000 psi experienced by the connector assembly. We have found that some high temperature fluorocarbon elastomers, such as VITON™ and KALREZ™, work well for wire seal 292.

To form an arc barrier between adjacent pins 284, and between the pins and coupling 154 (Fig. 7B), at face 294 of connector body 280, individual pin insulators 296 are molded in place about each of pins 284 between their lower and upper flanges 288 and 298, respectively. Insulators 296 extend out through the plane of face 294 of the connector body about 0.120 inch, and are preferably molded of a high temperature fluorocarbon elastomer such as VITON™ or KALREZ™. Insulators 296 guard against arcing that may occur along face 294 of the connector body if, for instance,

moist air or liquid water infiltrates wire cavity 168 of the PWCH (Fig. 7B). Besides guarding against undesired electrical arcing, insulators 296 also help to seal out moisture from the connection between pins 284 and lead wires 286 inside the connector body during storage and transportation.

Referring also to Fig. 15, connector body 280 has an outer diameter d_o of about 0.95 inches in order to fit within the small tool inner diameters (of down to 1.0 inch, for example) typical of down hole instrumentation. The assembled connector has a circular array of nine pins 284, each with corresponding insulators 296 and lead wires 286.

What is claimed is:

1. A female electrical connector adapted to be lowered down
a well on an electrical cable for remote connection to a
downhole male connector for electrical communication
between the male connector and the surface of the well
5 through the cable, said female electrical connector
comprising:

a housing with an attachment for securing the female
electrical connector to the cable, the housing defining
an inner bore with an open end for receiving the male
10 connector;

a female electrical contact within the housing, the
female electrical contact being in electrical
communication with the cable and comprising:

a circumferential ring defining a central axis;
15 and,

a cantilever finger extending generally axially
from the ring, the finger having a first portion
extending generally radially inward from the ring,
and a second portion extending generally radially
20 outward from the first portion to an axially-
directed, distal end, the first and second
portions defining therebetween a radially
innermost contact surface; and,

an insulator disposed between the housing and the
25 female electrical contact in a manner to resist
electrical conduction between the female electrical
contact and the housing, the insulator comprising:

an outer shell disposed between the circumferential ring of the female electrical contact and the inner bore of the housing; and,

5 an inner lip axially overlapping the distal end of the cantilever finger of the female electrical contact, the inner lip disposed radially inward of the distal end of the cantilever finger in a manner to shield the finger end against engagement with the male connector moving within the female
10 connector.

2. The female connector of claim 1 further comprising a wiper seal disposed within the housing between the open end of the housing and the female electrical contact, and arranged to engage an exposed surface of the male
15 connector as the male connector enters the female connector, in a manner to wipe debris from the exposed surface.

3. The female connector of claim 2 wherein the inner diameter of the wiper seal is about equal to the inner
20 diameter of the female electrical contact, as defined by the radially innermost contact surface of the female electrical contact.

4. The female connector of claim 1 wherein the female electrical contact further comprises a solder lug in
25 electrical communication with and extending radially outward from the circumferential ring.

5. The female connector of claim 4 wherein the insulator defines an axial wire hole extending therethrough for routing the cable to the solder lug.

6. The female connector of claim 1 wherein the female electrical contact comprises at least six said cantilever fingers arranged about said circumferential ring.
7. The female connector of claim 1 for use with a cable having multiple conductors, the connector comprising a series of said female electrical contacts concentrically arranged along a common axis, each of the female electrical contacts in electrical contact with a corresponding conductor of the cable, disposed within one of said insulators within the housing, and electrically insulated from the other female electrical contacts and conductors.
8. The female connector of claim 7 further comprising wiper seals disposed within the housing and arranged between the female electrical contacts to engage an exposed surface of the male connector as the male connector enters the female connector, in a manner to wipe debris from the exposed surface.
9. The female connector of claim 8 wherein the inner diameters of the wiper seals are about equal to the inner diameters of the female electrical contacts, as defined by the radially innermost contact surfaces of the female electrical contacts.
10. The female connector of claim 1 in which the female electrical contact is formed by the process of machining the contact, in its finished form, from a unitary piece of material.

**Biggar
Canada
Agents**

FIG. 1

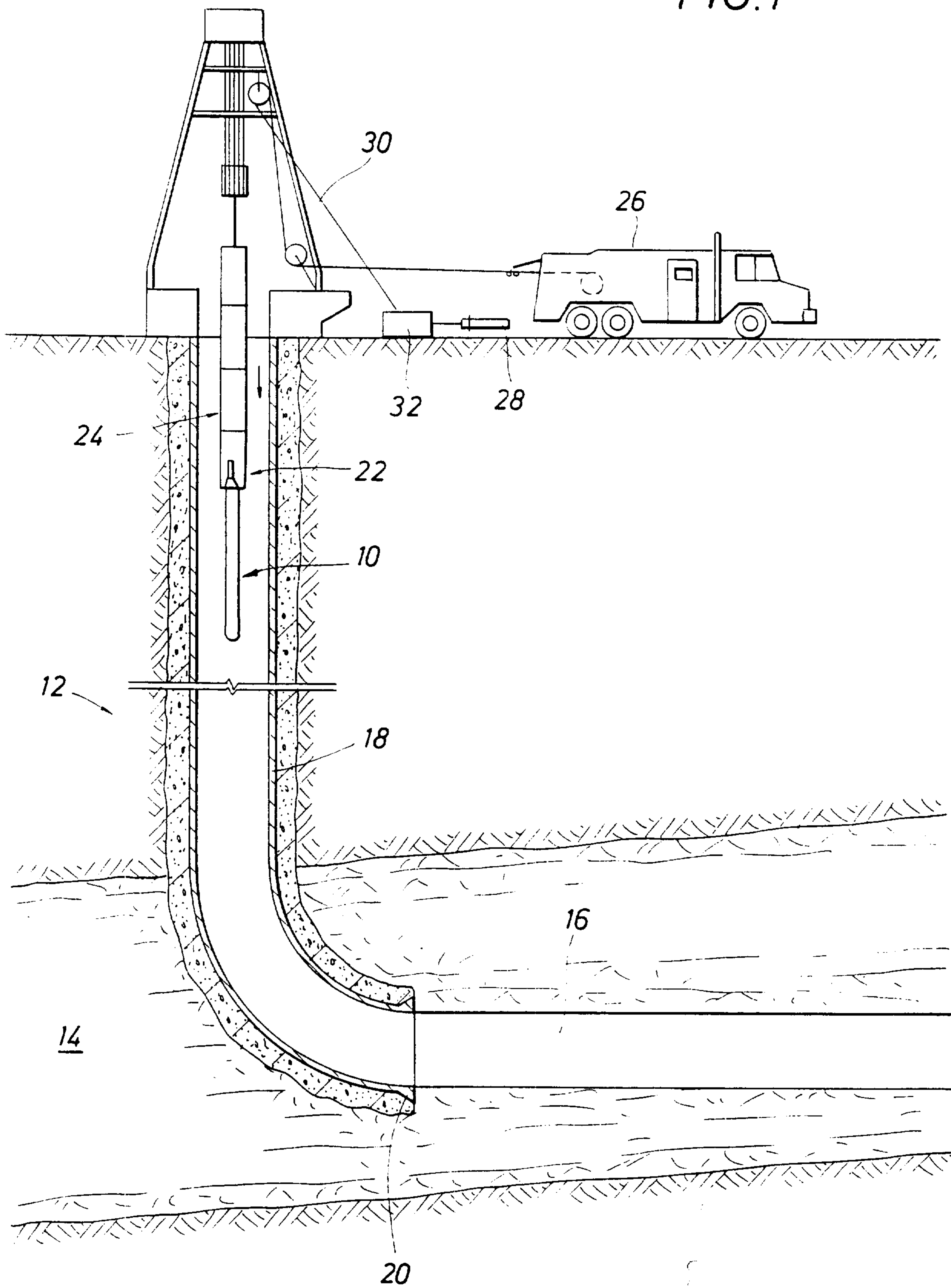


FIG. 2

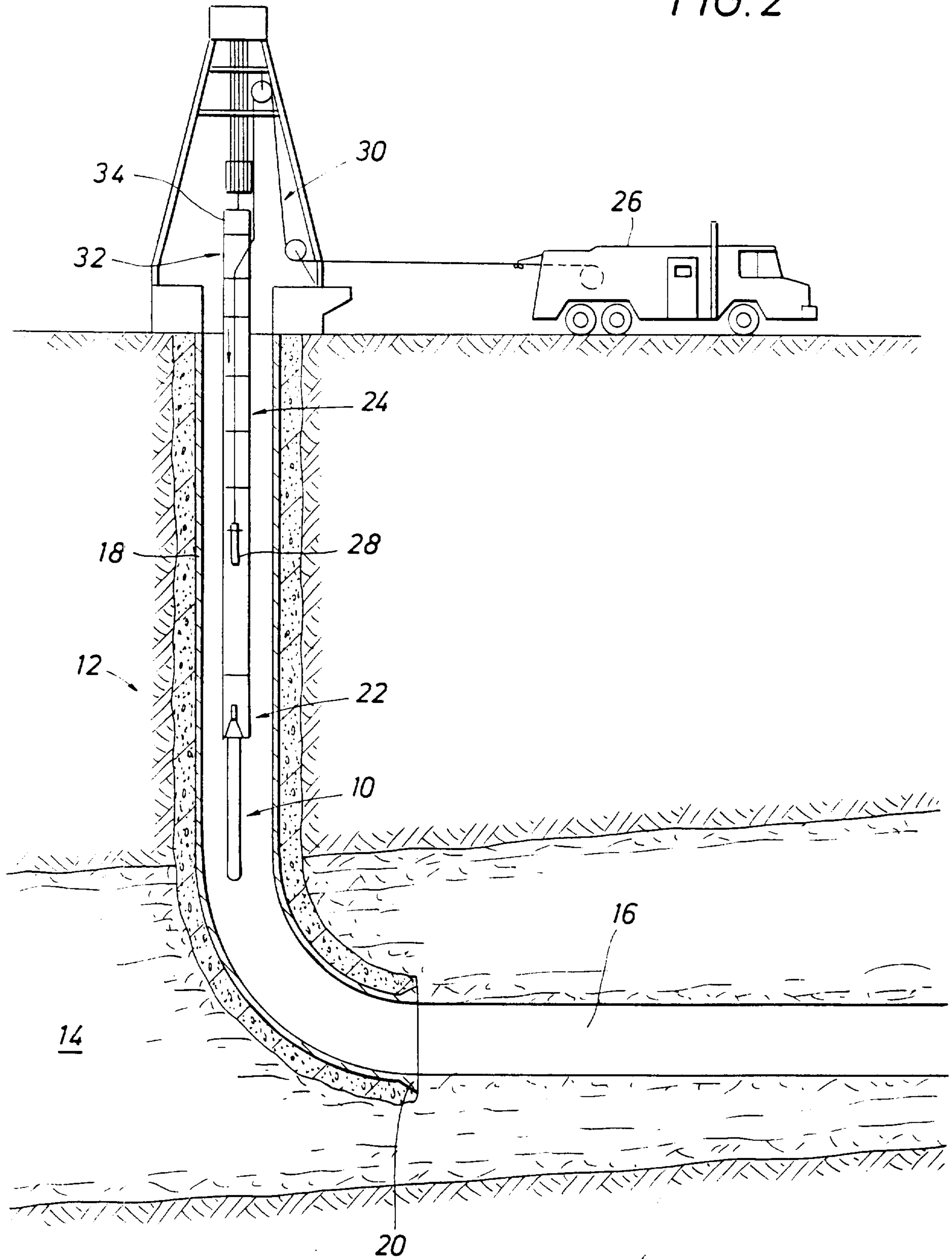


FIG. 3

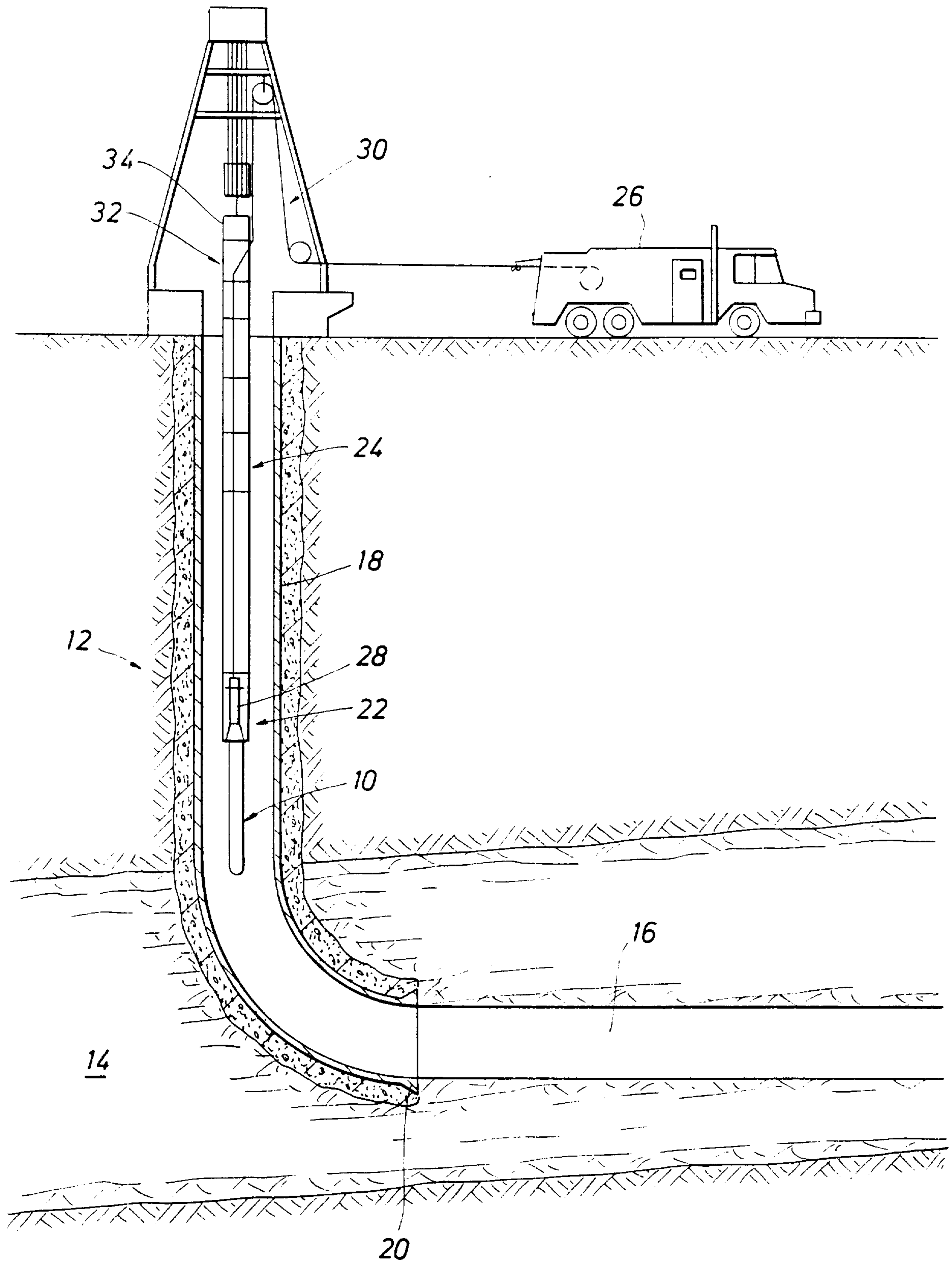


FIG. 4

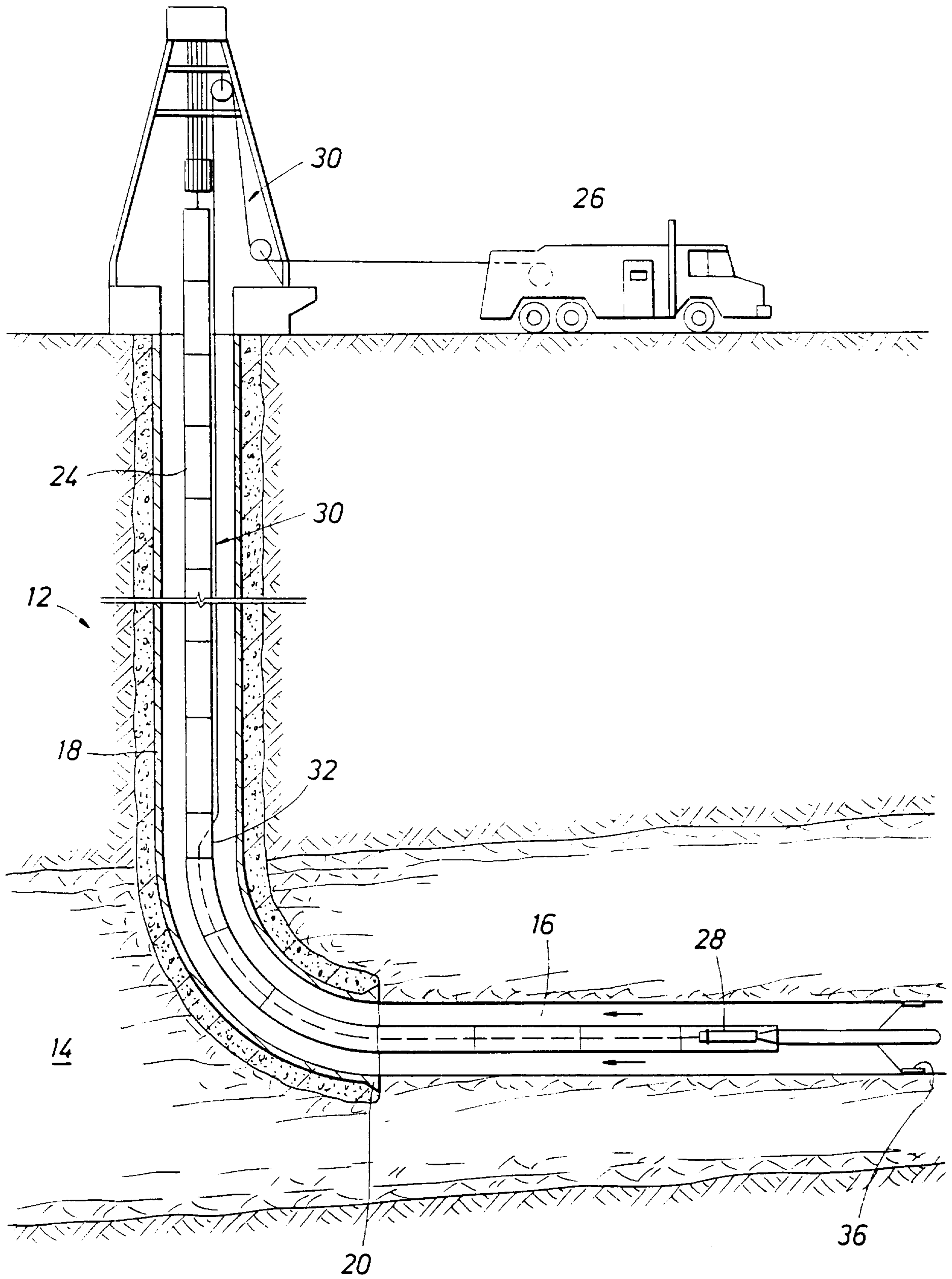


FIG. 5

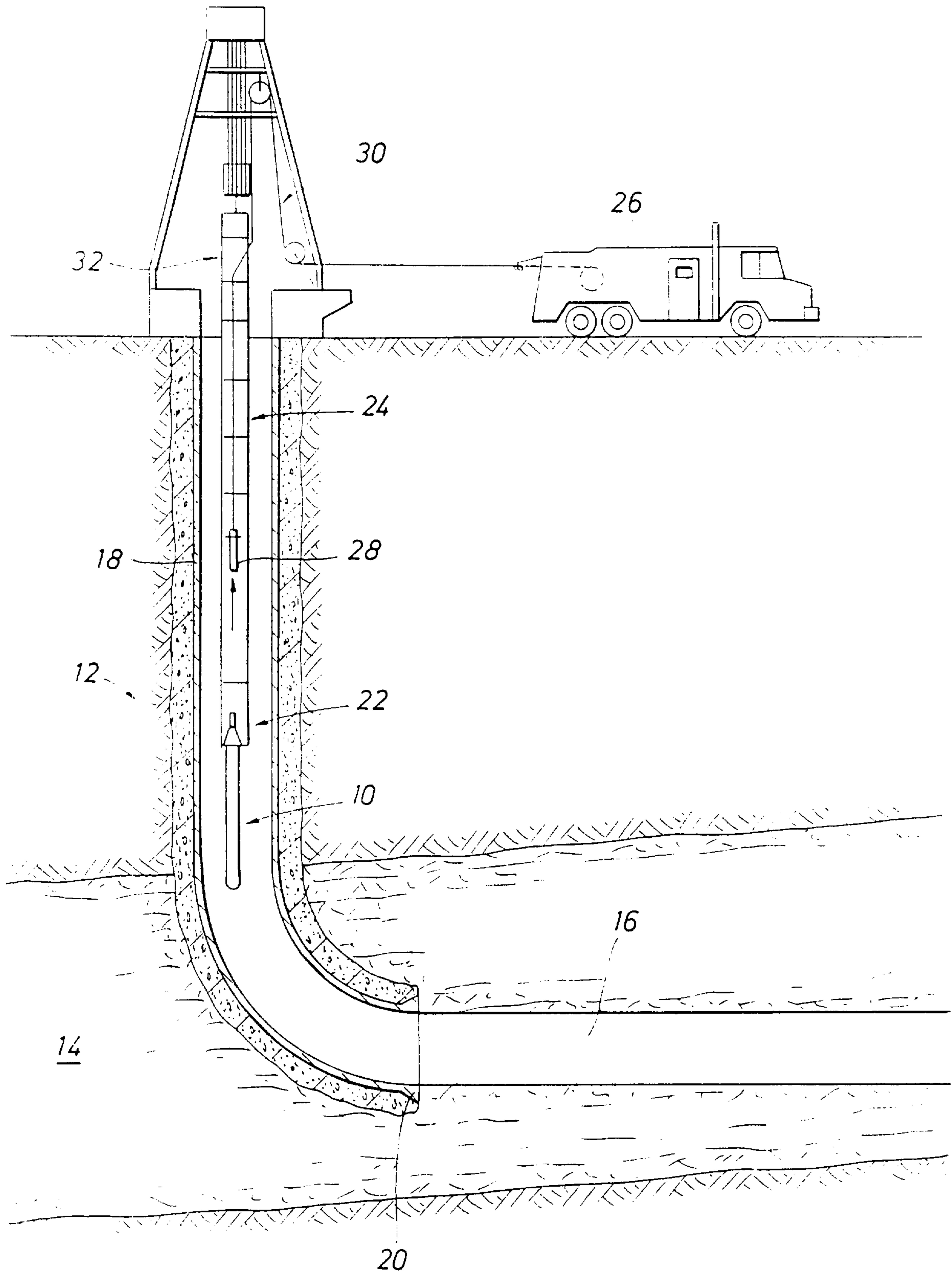


FIG. 6A-1

6/17

FIG. 6A-2

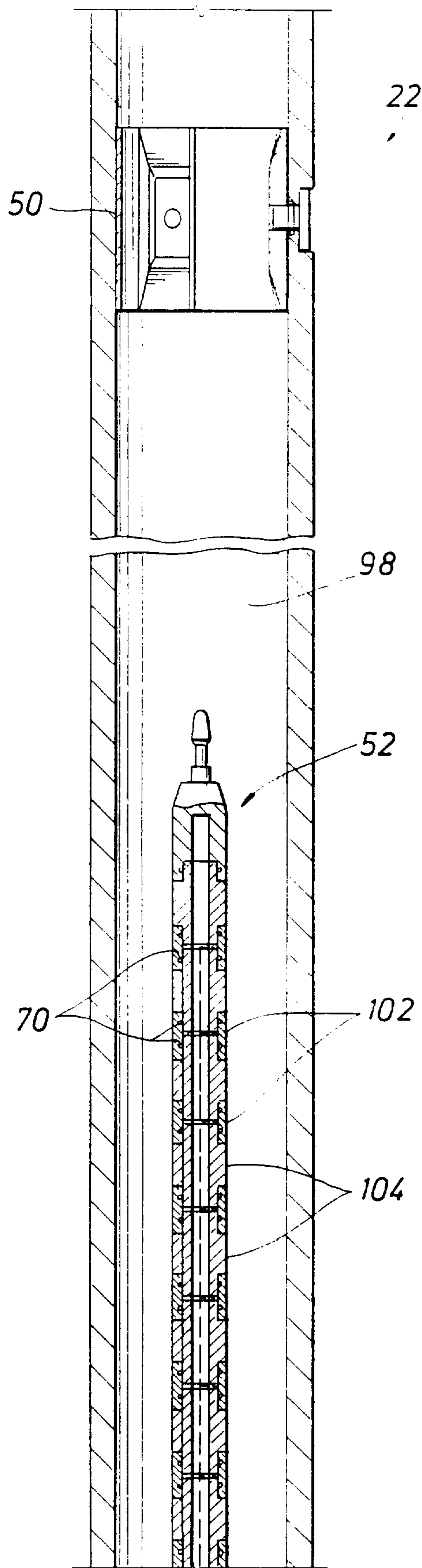
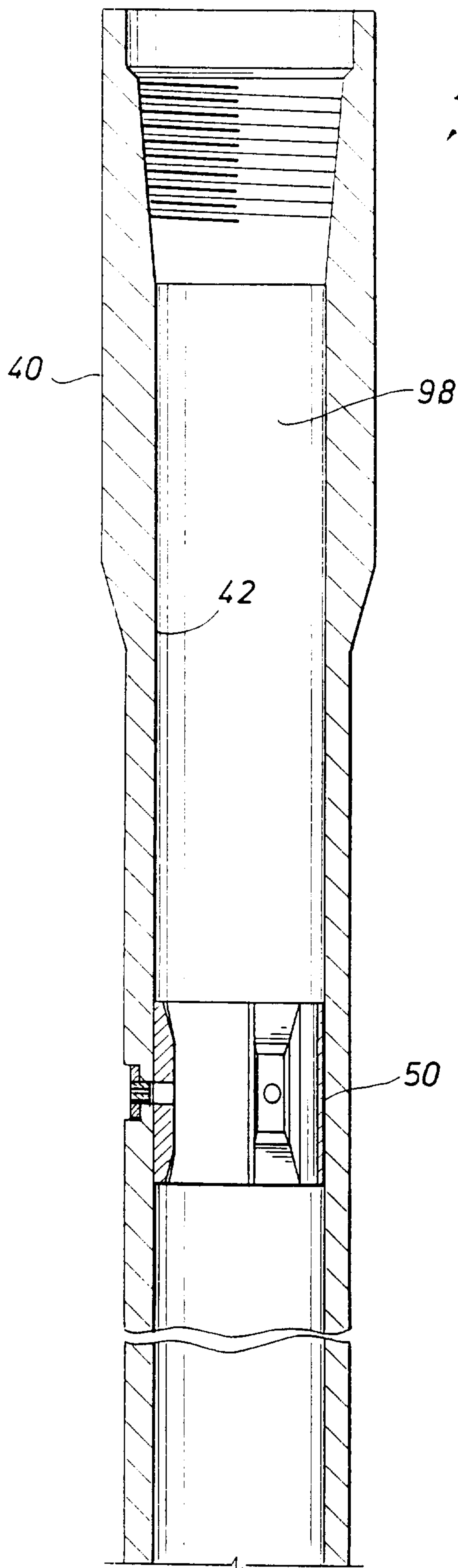


FIG. 6A-3

7/17

FIG. 6B-1

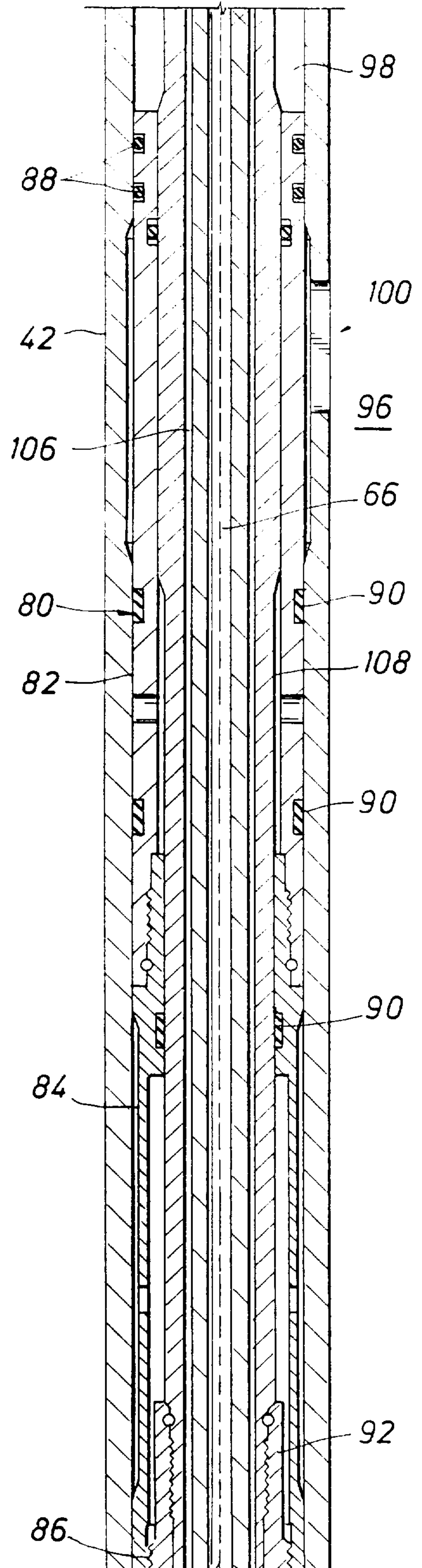
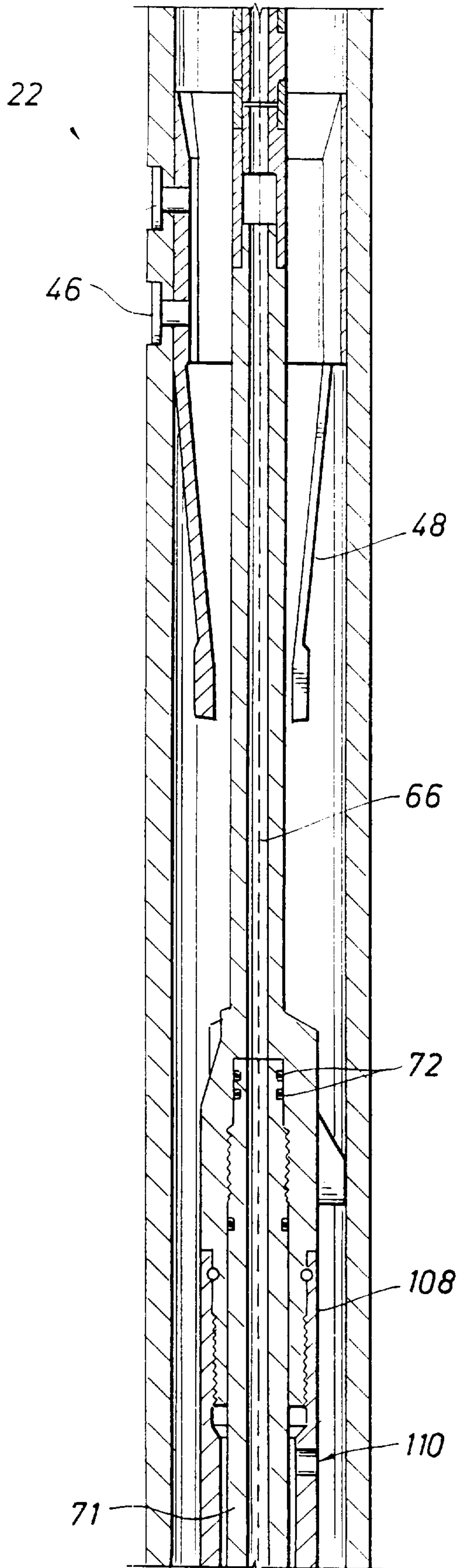
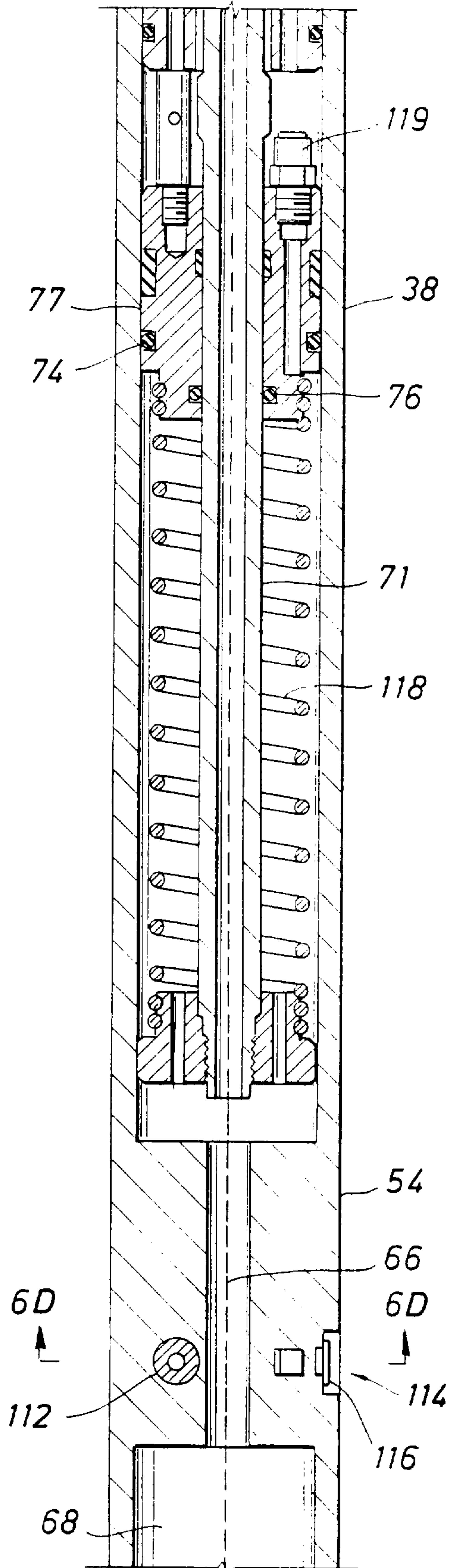
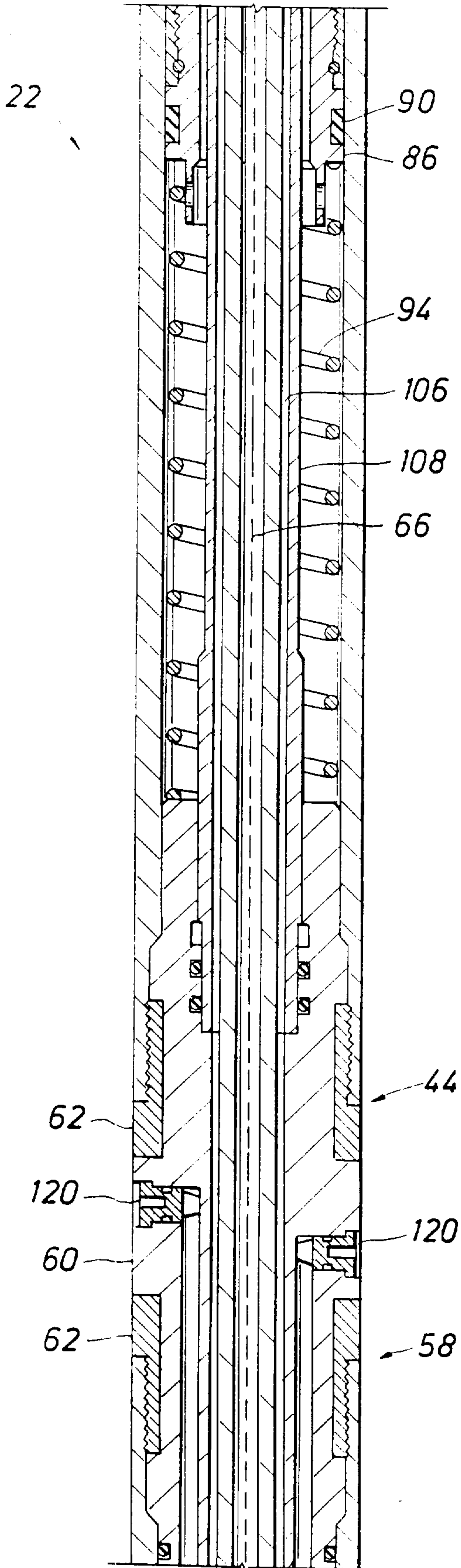


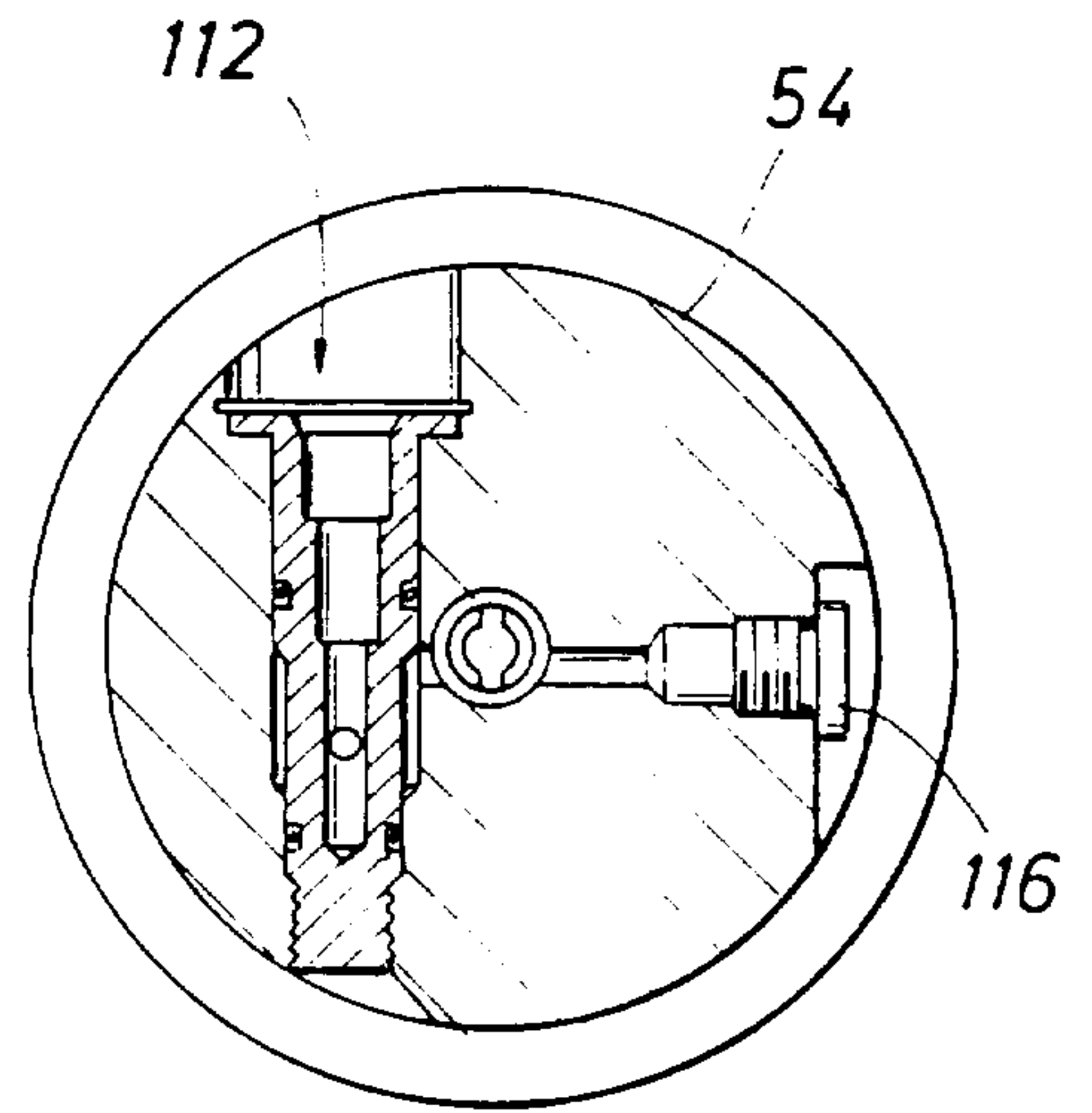
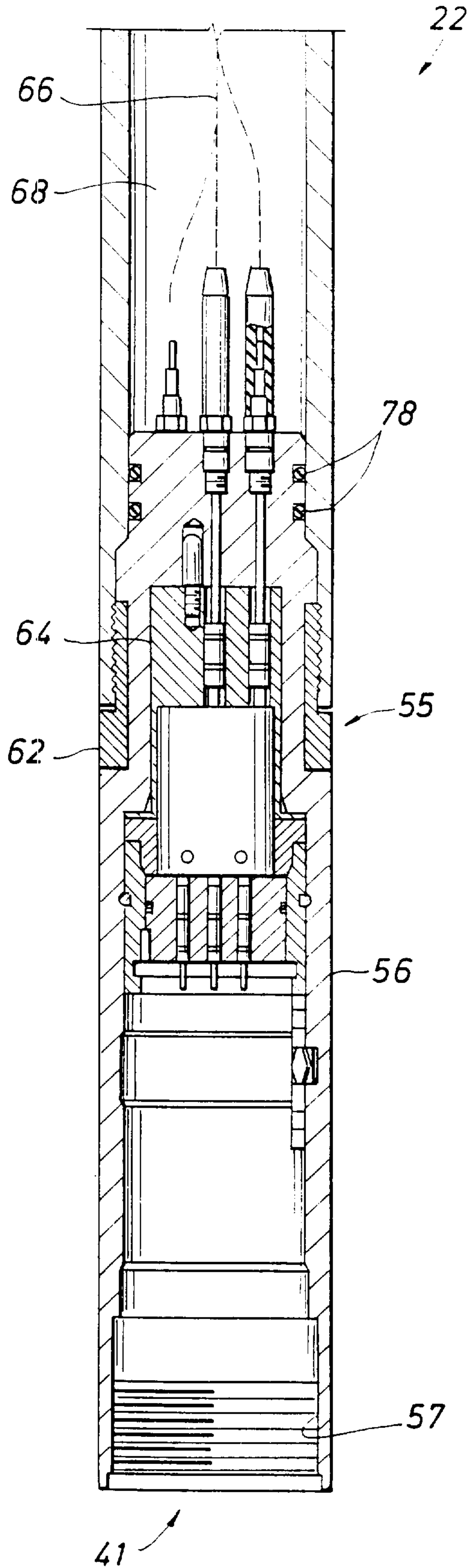
FIG. 6B-2

8/17

FIG. 6B-3



9/17



10/17

FIG. 7A-1

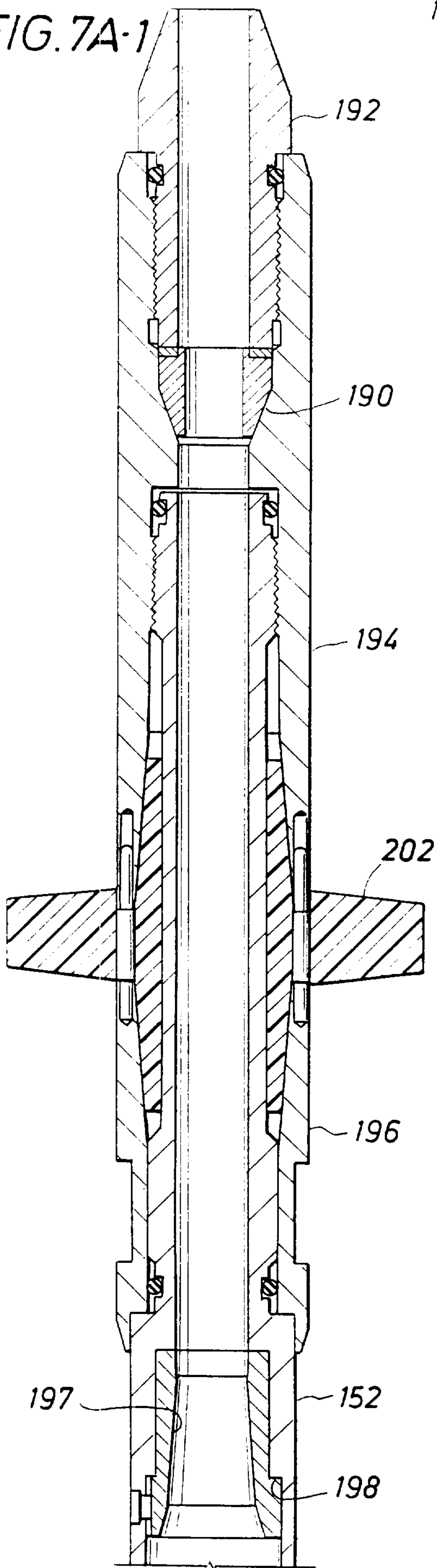
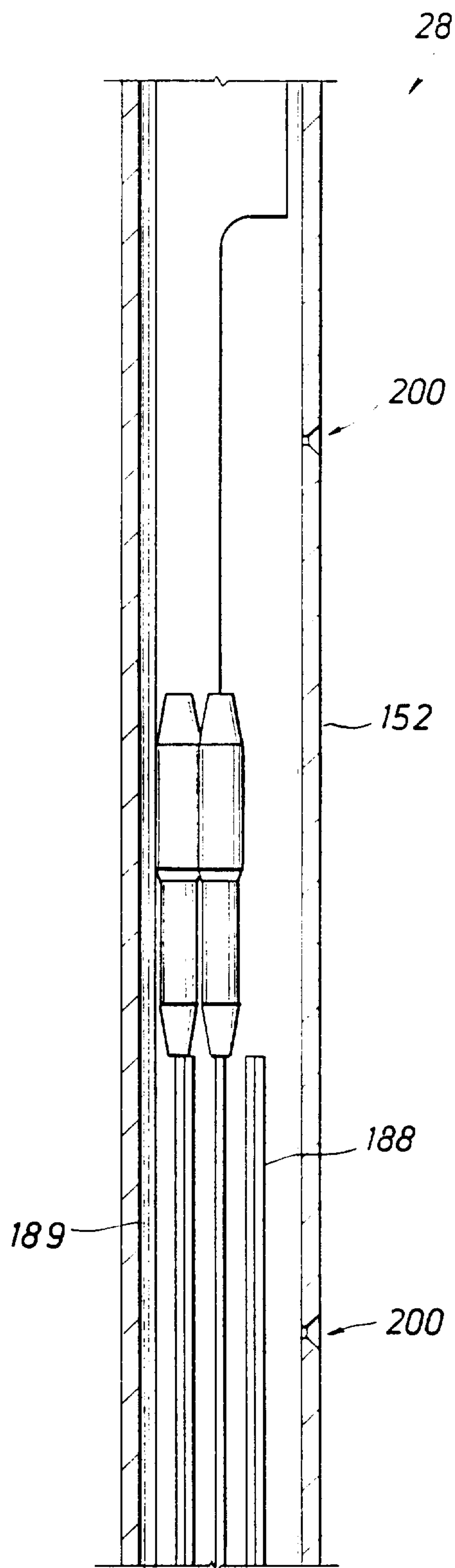


FIG. 7A-2



+

11/17

FIG. 7B

-1

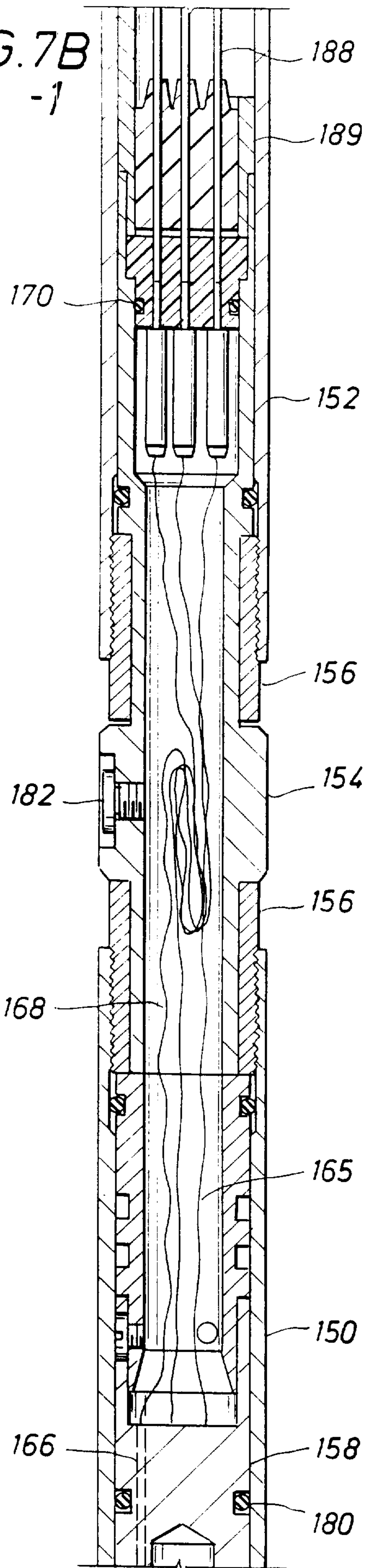
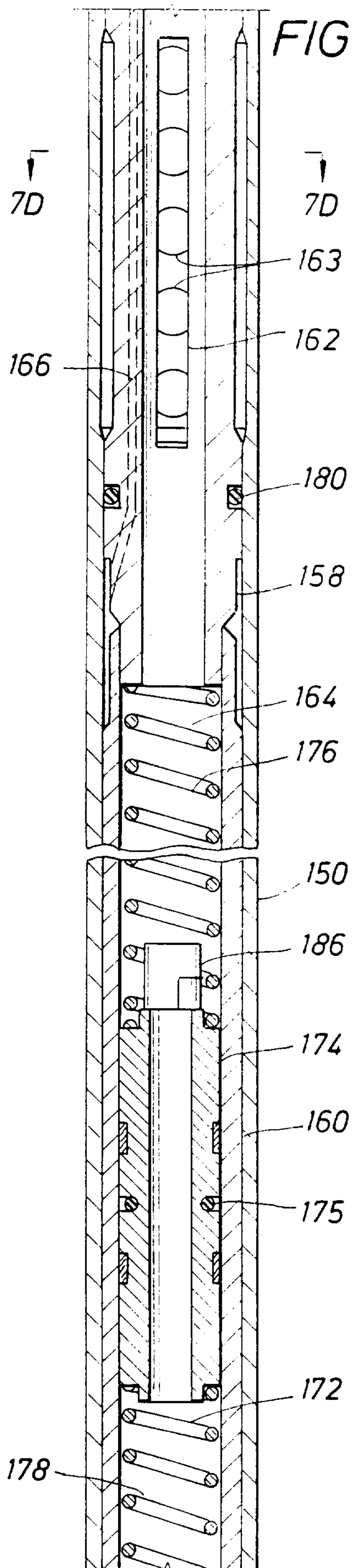


FIG. 7B

-2



+

12/17

FIG. 7B
-3

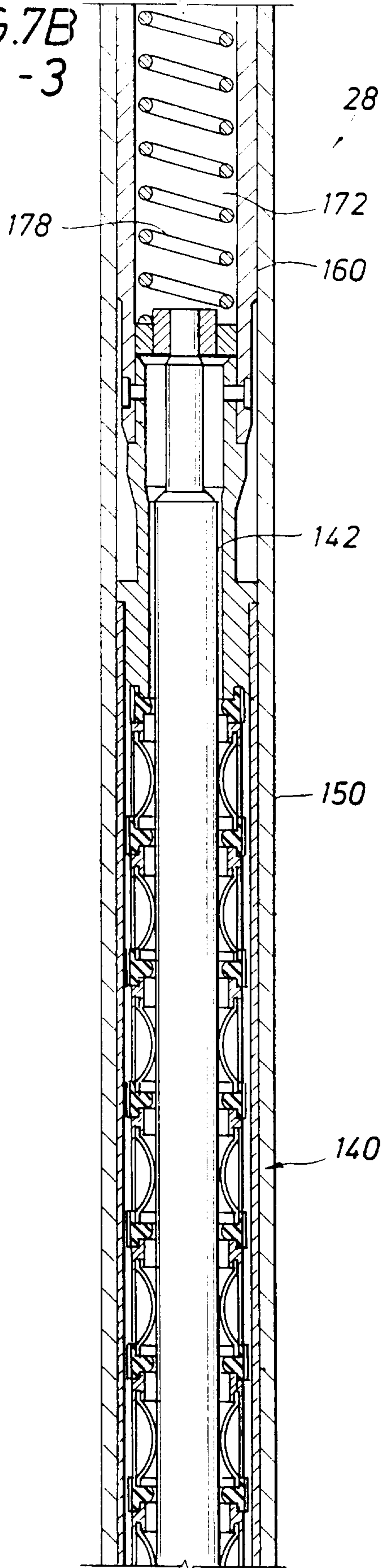


FIG. 7C

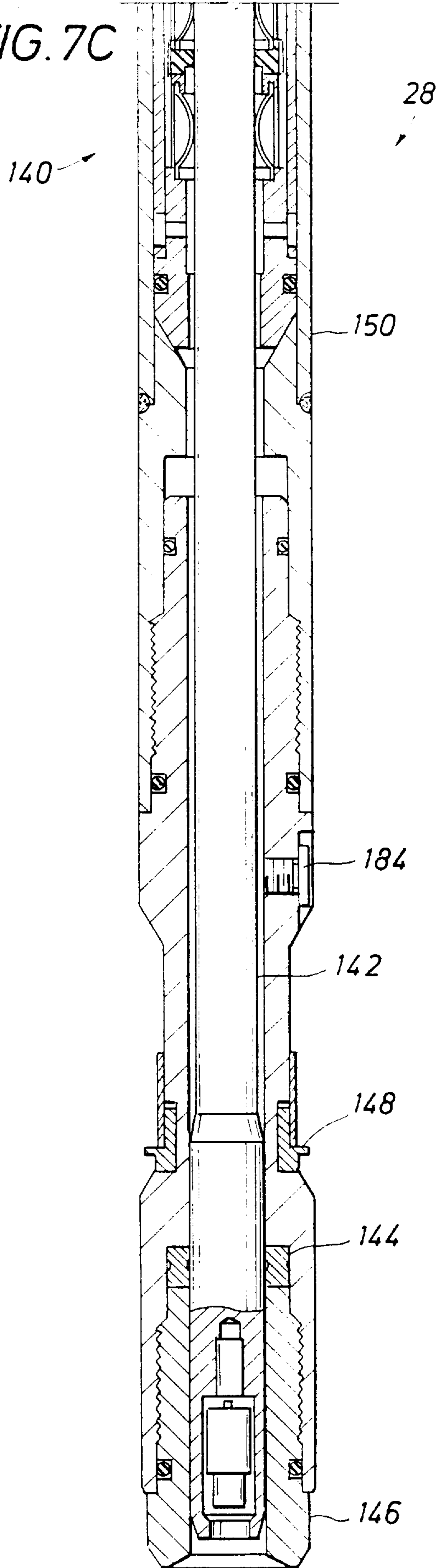


FIG. 10

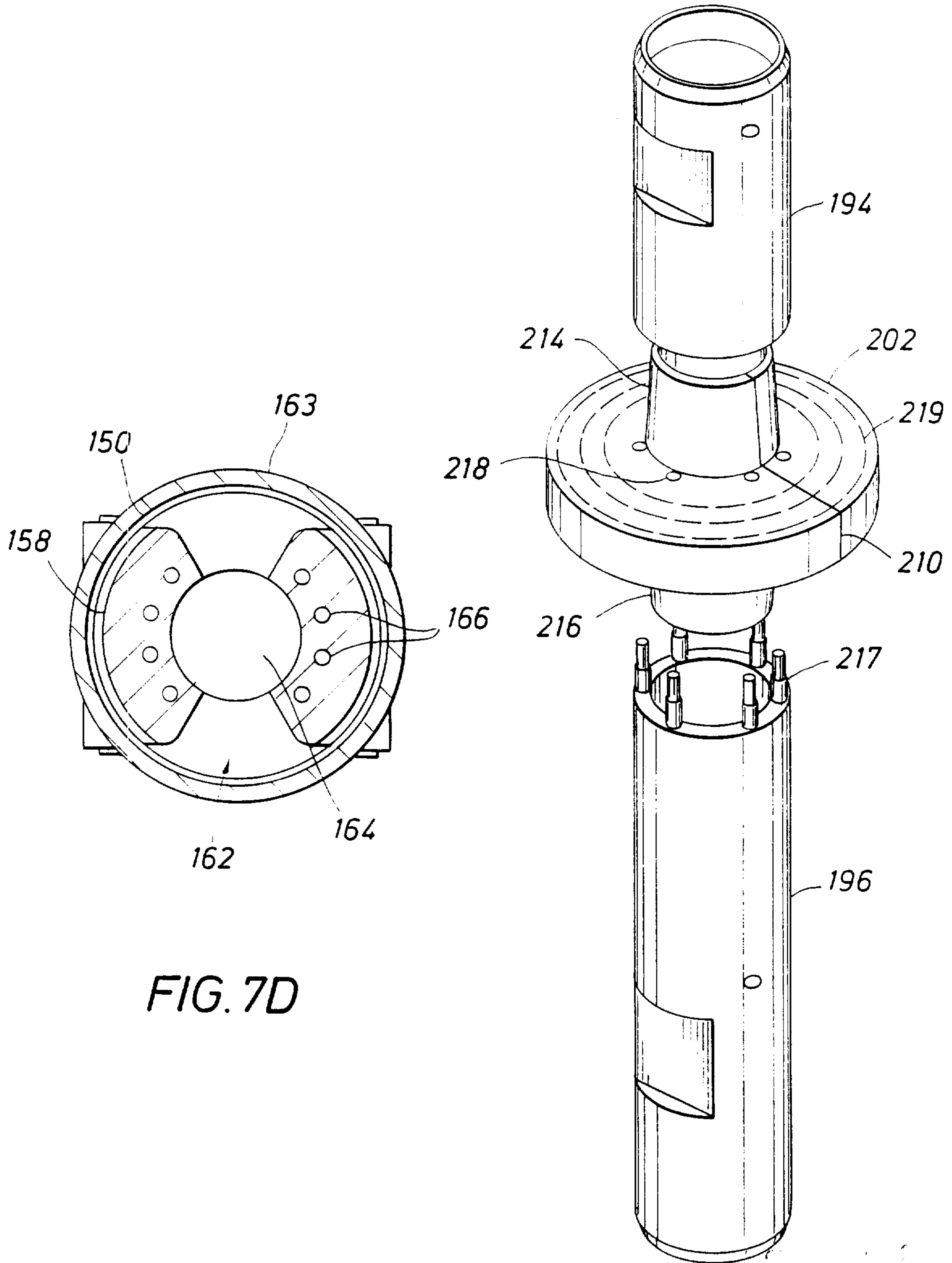


FIG. 7D

Handwritten signature
Handwritten text

FIG. 8A

FIG. 8B

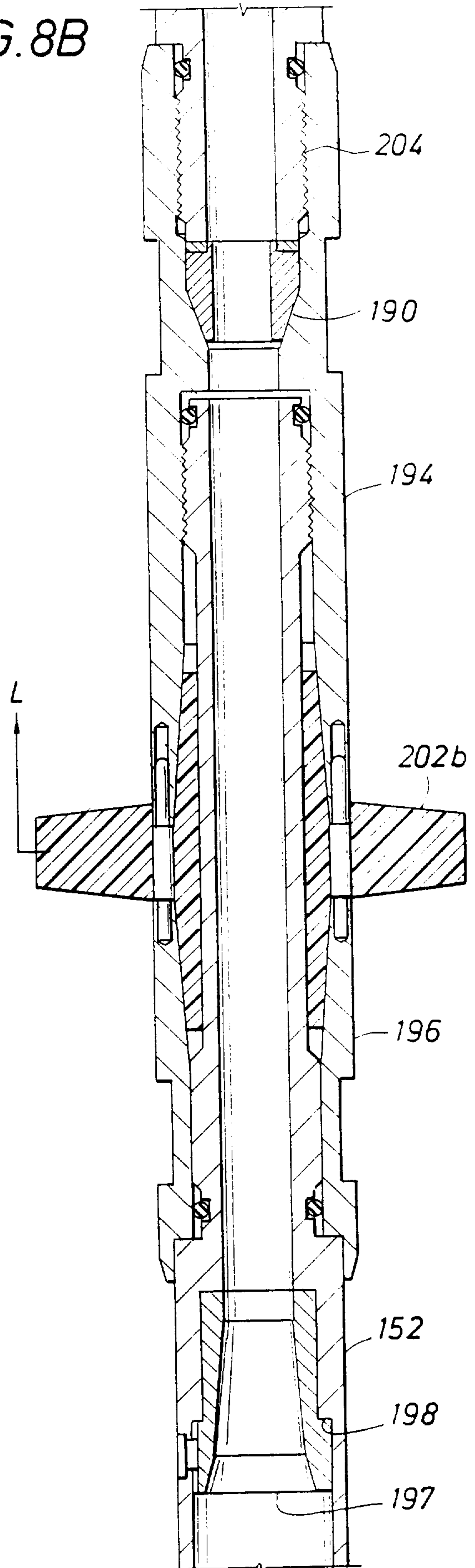
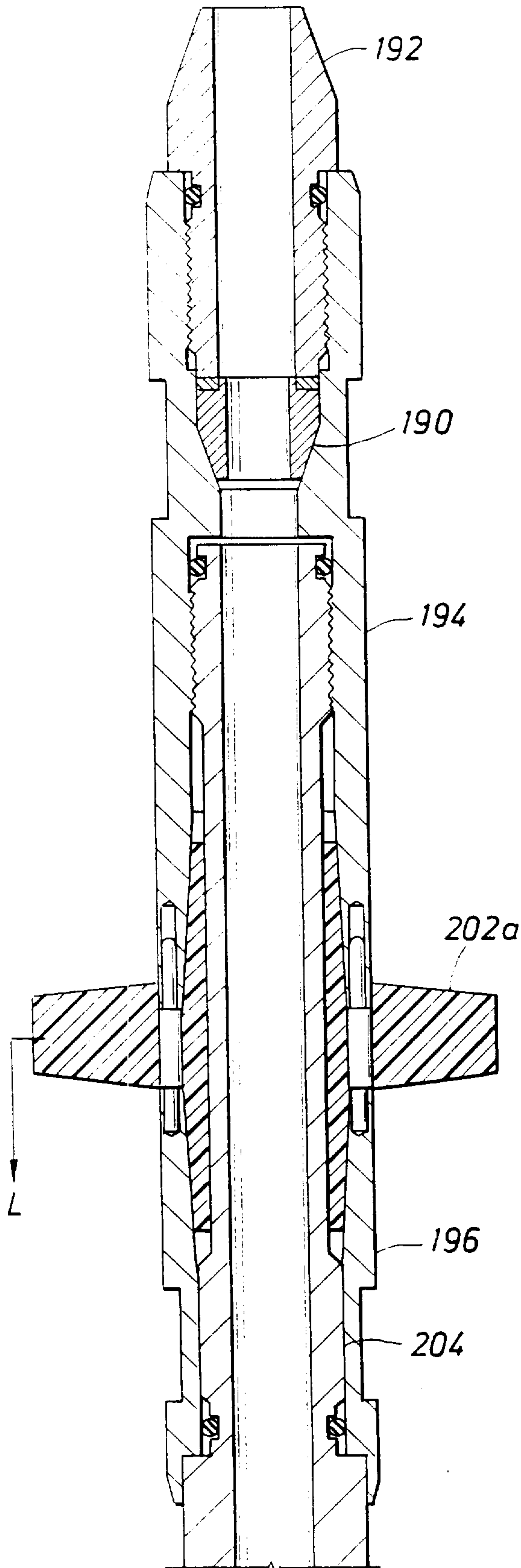


FIG. 9

FIG. 9A

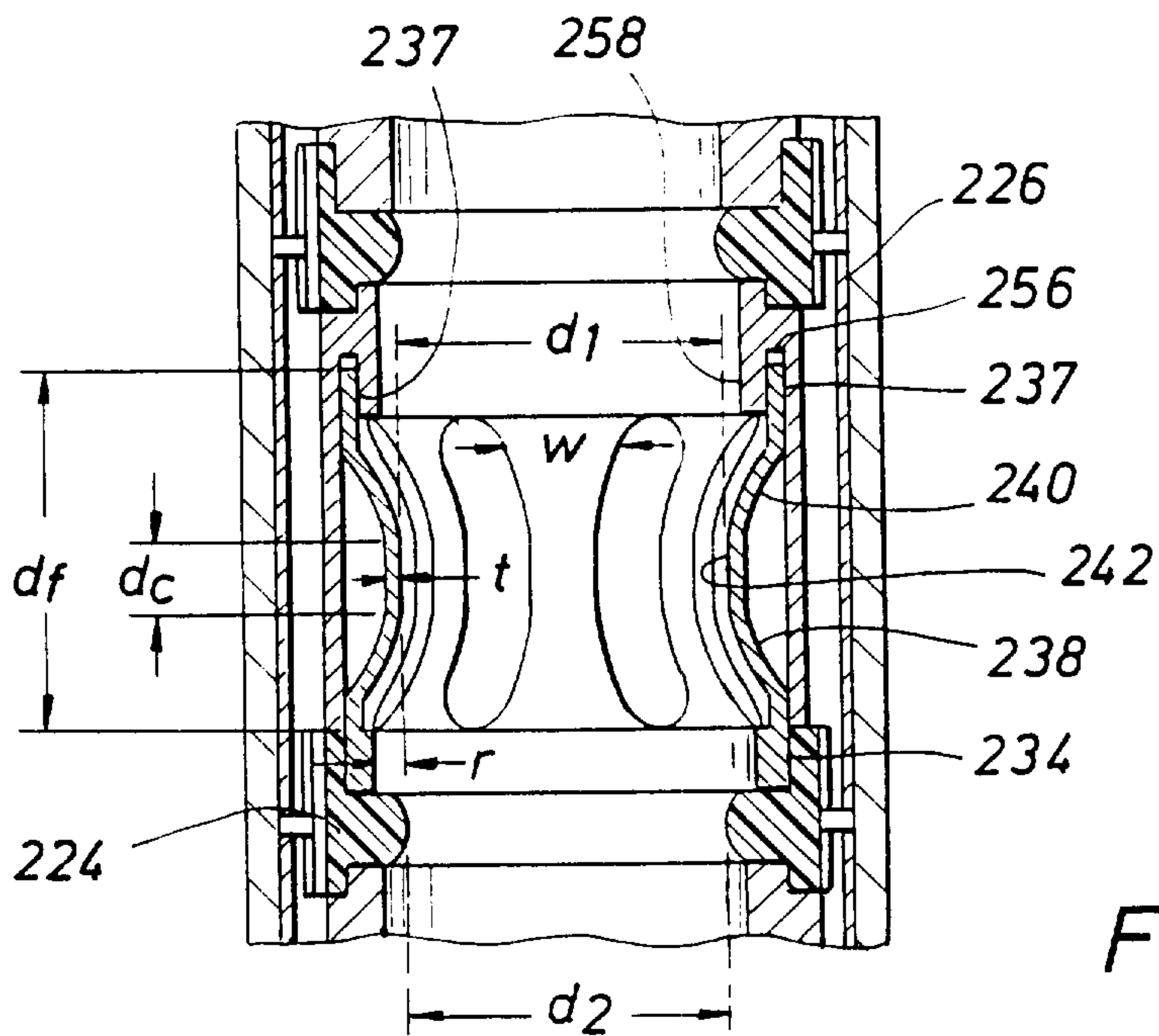
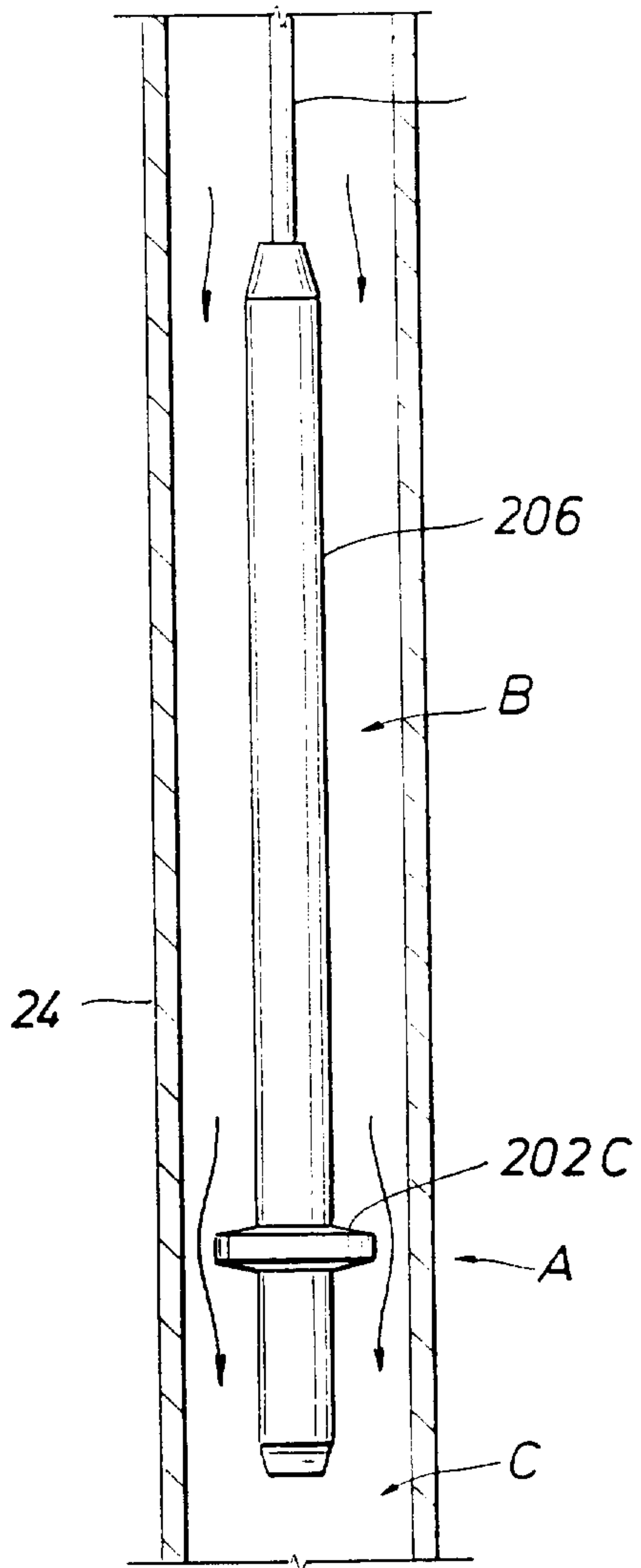
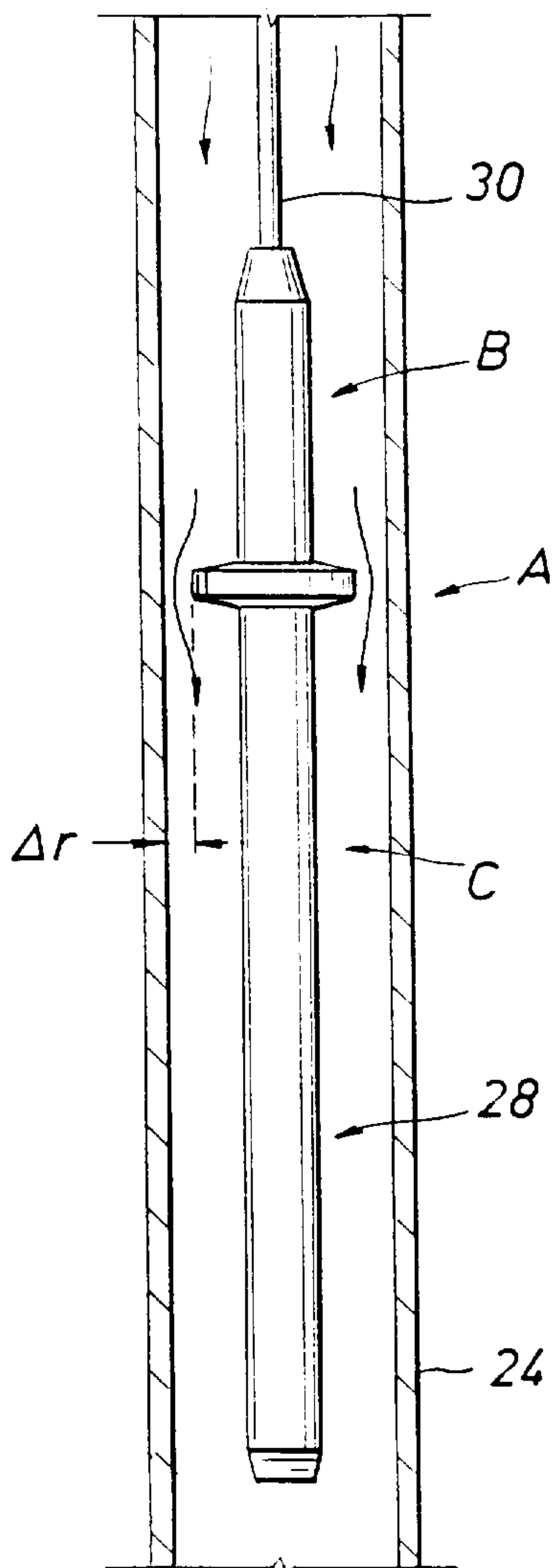


FIG. 13

FIG. 11

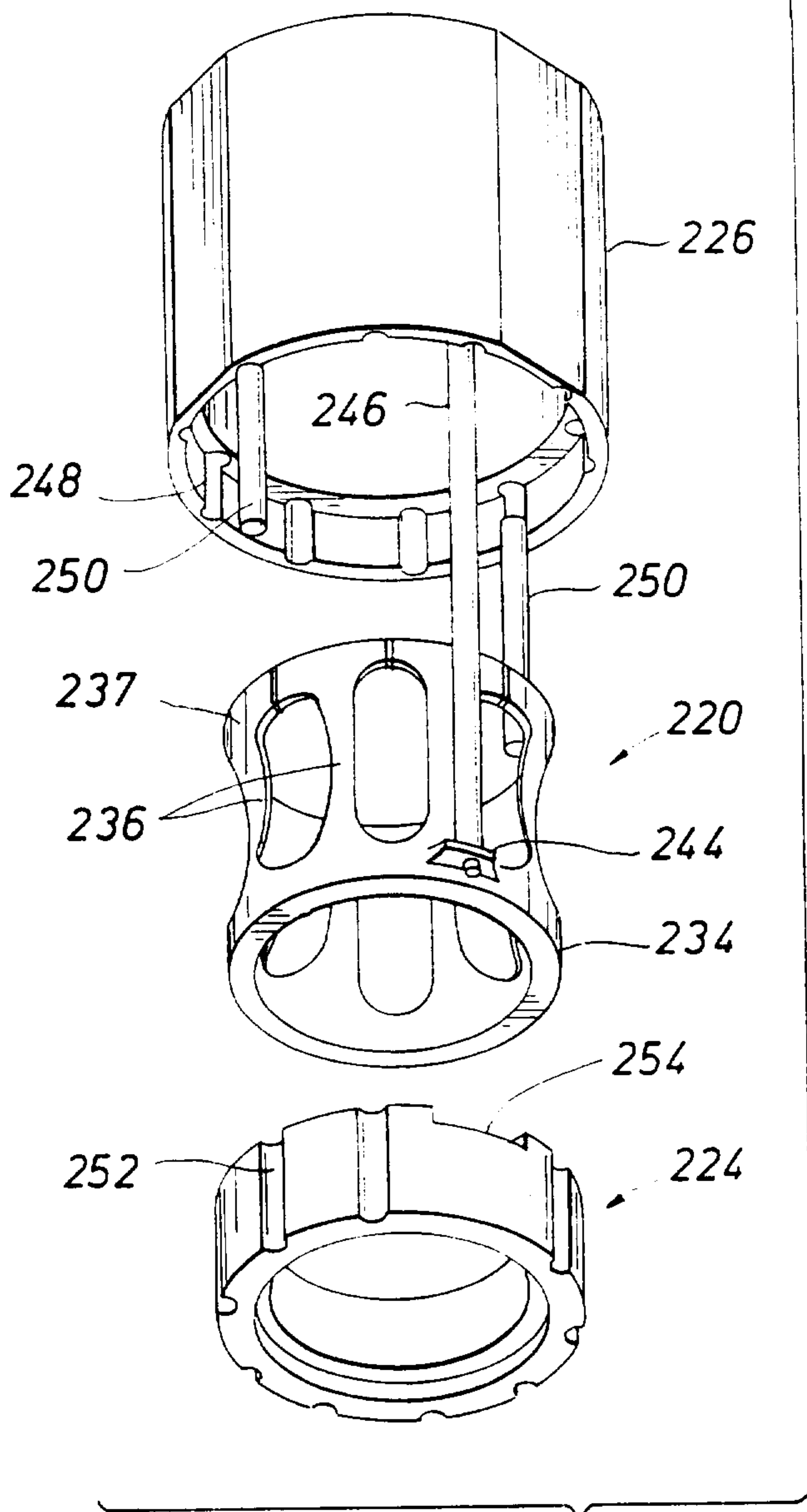
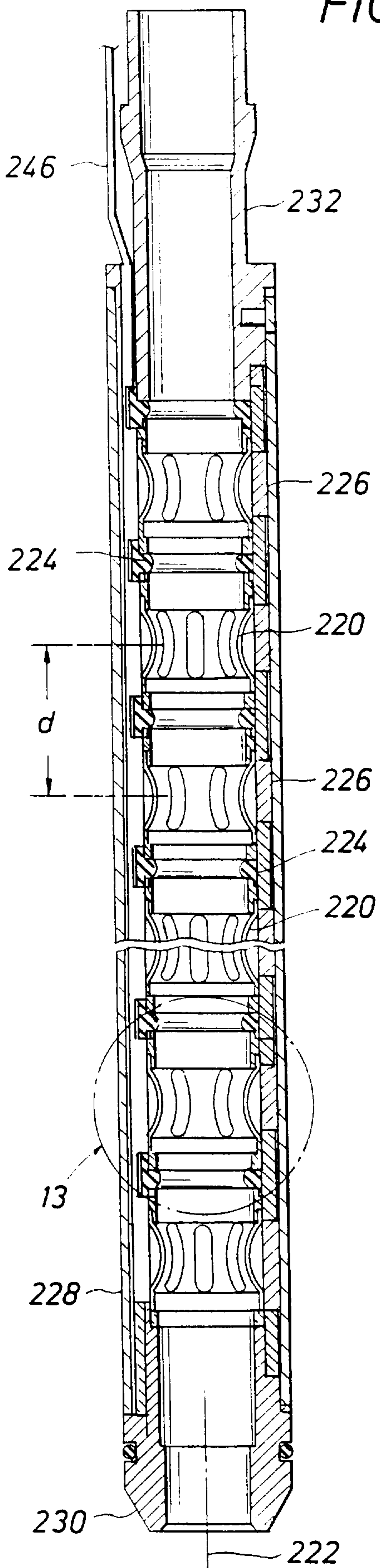


FIG. 12

FIG. 14

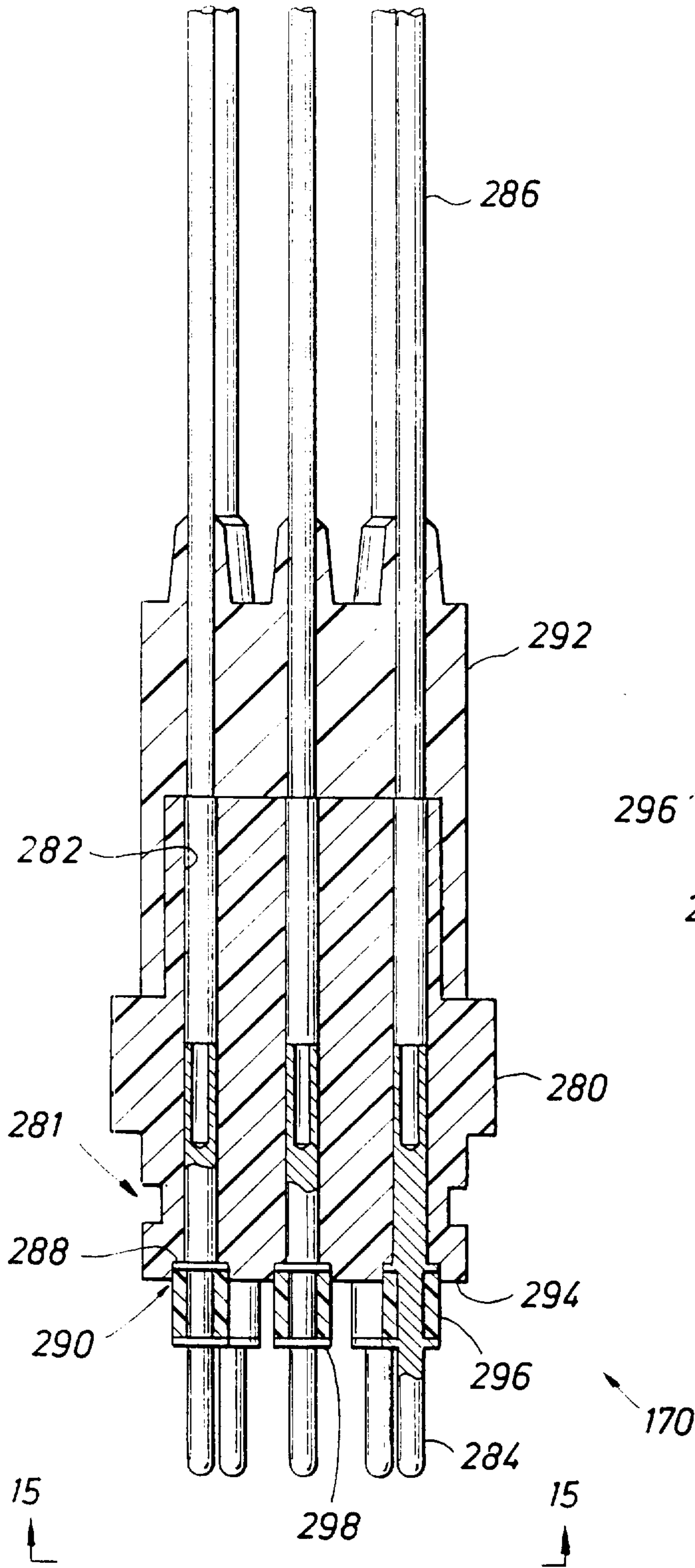
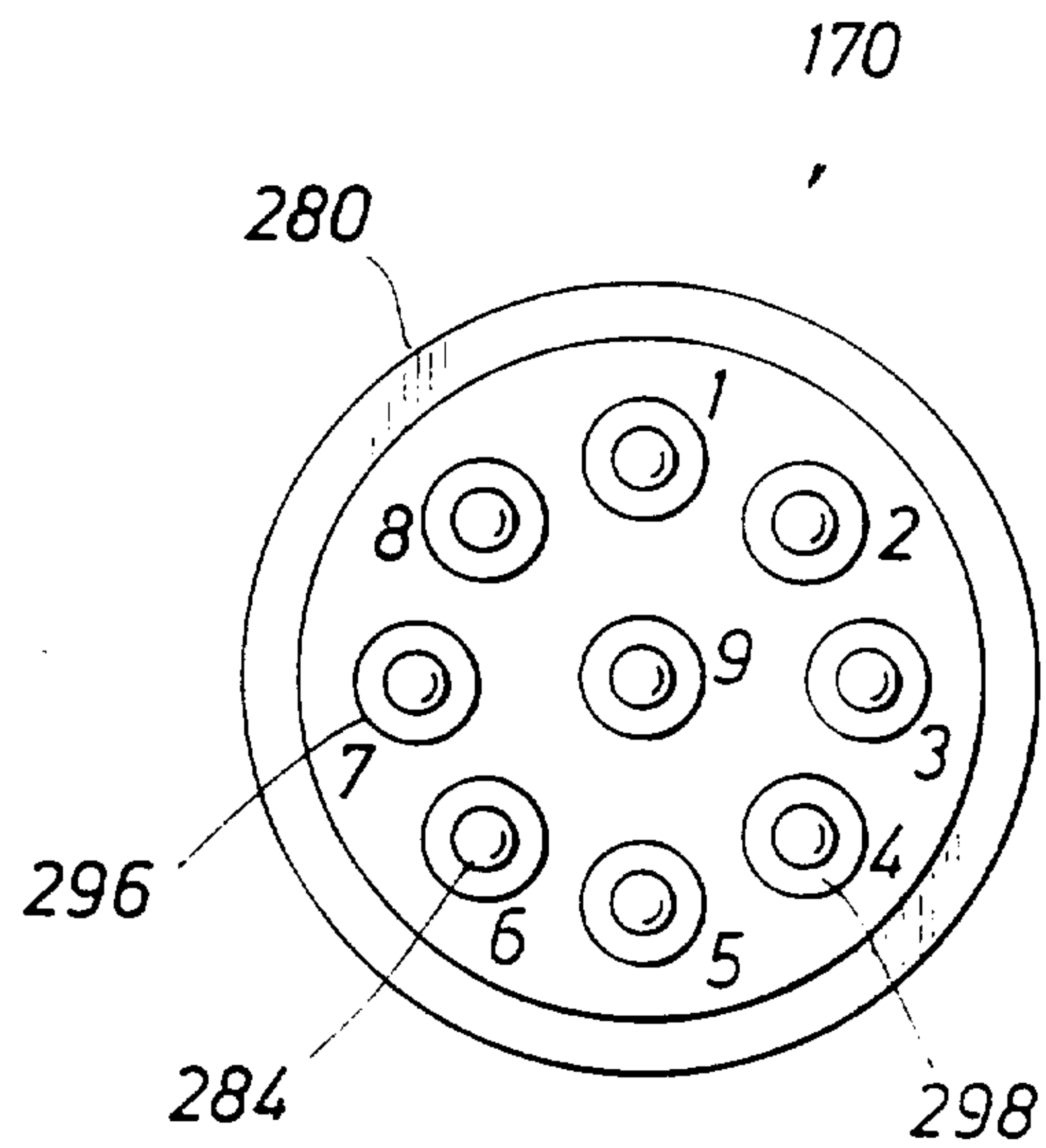


FIG. 15



Patent Attorney
Smart & Biggar