



US00D382011S

United States Patent [19]

[11] **Patent Number:** Des. 382,011

Agata et al.

[45] **Date of Patent:** **Aug. 5, 1997

[54] **TONER BOTTLE CAP FOR COPYING MACHINE**

D. 333,832 3/1993 Suzuki et al. D18/40
5,392,102 2/1995 Toyozumi et al. 355/245

[75] Inventors: **Nobuyuki Agata**, Soka; **Kyota Miyazaki**, Yokohama, both of Japan

Primary Examiner—James Gandy
Assistant Examiner—Caron D. Veynar
Attorney, Agent, or Firm—Fitzpatrick, Cella, Harper & Scinto

[73] Assignee: **Canon Kabushiki Kaisha**, Tokyo, Japan

[**] Term: **14 Years**

[57] **CLAIM**

The ornamental design for a toner bottle cap for copying machine, as shown and described.

[21] Appl. No.: **53,919**

[22] Filed: **May 2, 1996**

DESCRIPTION

[30] **Foreign Application Priority Data**

Nov. 8, 1995 [JP] Japan 7-33642

FIG. 1 is a front view of a toner bottle cap for copying machine showing our new design;

[51] **LOC (6) Cl.** **16-03**

FIG. 2 is a rear view thereof;

[52] **U.S. Cl.** **D18/43; D9/435; D18/40**

FIG. 3 is a top plan view thereof;

[58] **Field of Search** D18/40, 43, 56;
D9/435; D16/246, 250; 206/527; 222/166,
240, 325, 541, DIG. 1; 141/1; 118/653,
657; 355/260, 298, 245

FIG. 4 is a bottom plan view thereof;

FIG. 5 is a left side view thereof;

FIG. 6 is a right side view thereof; and,

FIG. 7 is a perspective view thereof.

[56] **References Cited**

U.S. PATENT DOCUMENTS

D. 332,280 1/1993 Yoshida et al. D18/43

1 Claim, 3 Drawing Sheets

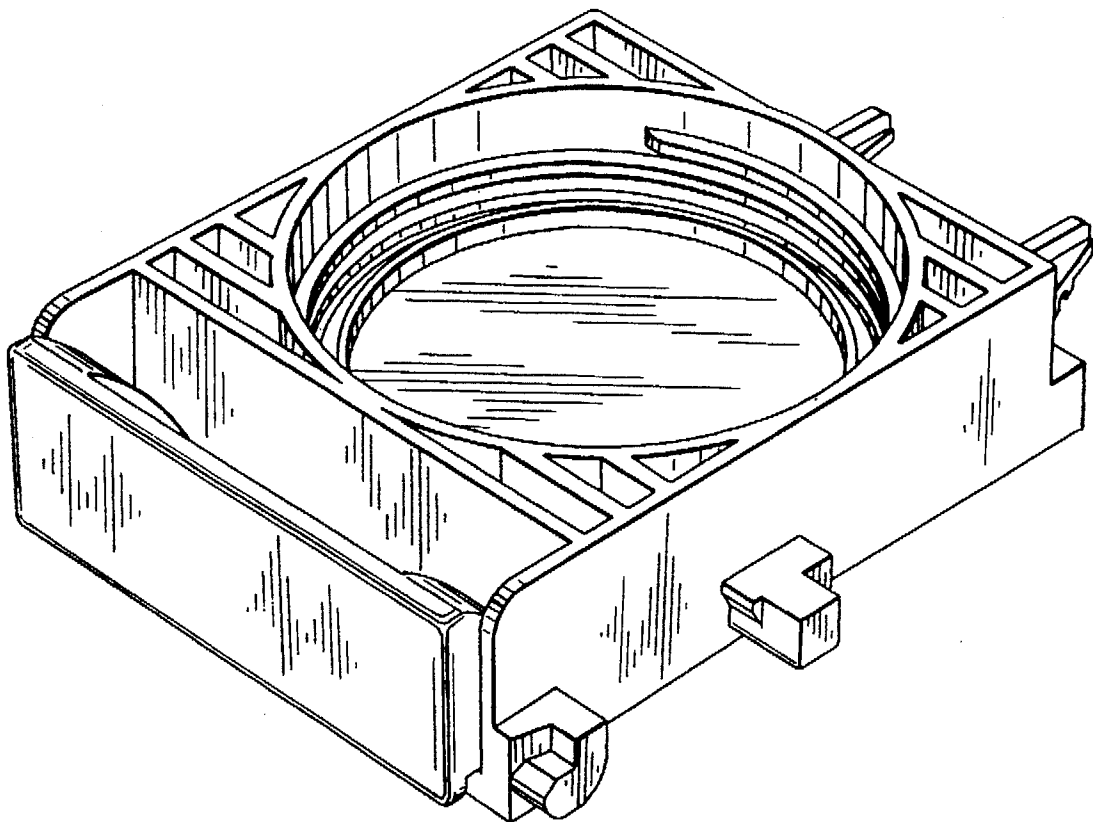


FIG. 1

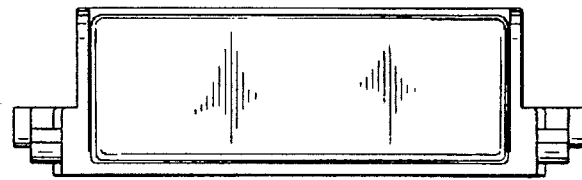


FIG. 2

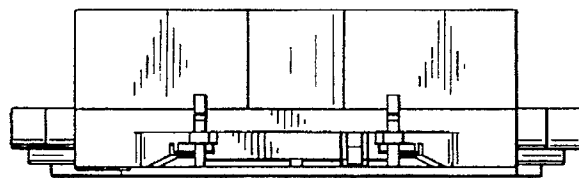


FIG. 3

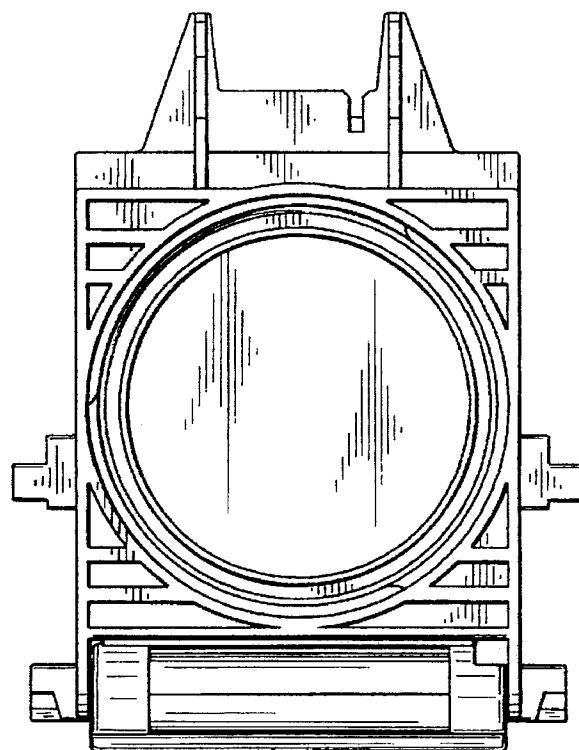


FIG. 4

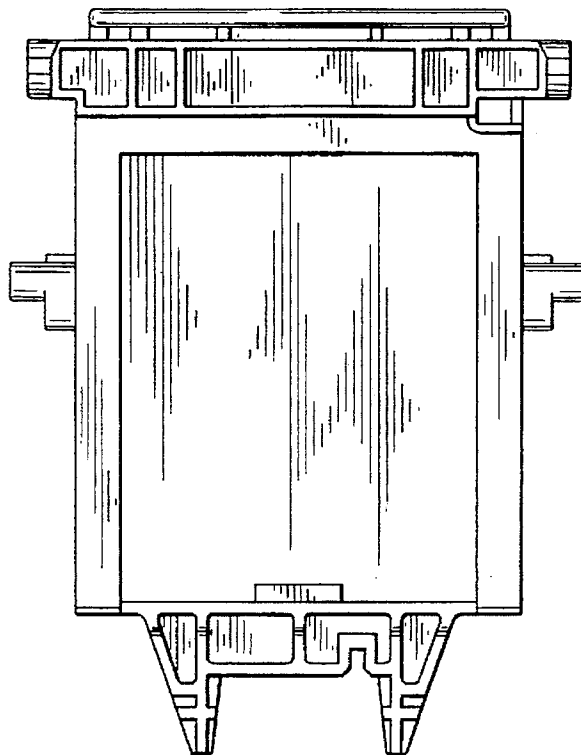


FIG. 5

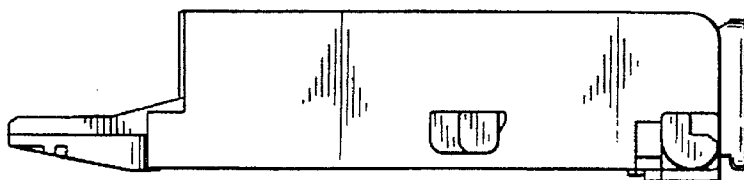


FIG. 6

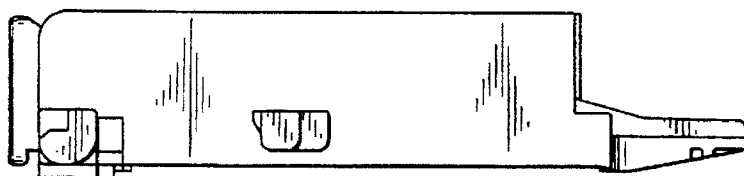


FIG. 7

