



US00D800503S

(12) **United States Design Patent**  
**Notheis et al.**

(10) **Patent No.:** **US D800,503 S**

(45) **Date of Patent:** **\*\* Oct. 24, 2017**

- (54) **INSULATED VESSEL**
- (71) Applicant: **Klean Kanteen, Inc.**, Chico, CA (US)
- (72) Inventors: **Philip John Notheis**, Chico, CA (US);  
**Richard Adams**, Bozeman, MT (US)
- (73) Assignee: **Klean Kanteen, Inc.**, Chico, CA (US)
- (\*\*) Term: **15 Years**
- (21) Appl. No.: **29/544,329**

D488,348 S *	4/2004	Liu	D7/509
D506,640 S *	6/2005	Marck	D7/509
D510,024 S *	9/2005	Jacober	D9/502
D526,848 S *	8/2006	Bodum	D7/509
D553,437 S *	10/2007	Bodum	D7/509
D581,738 S *	12/2008	Bodum	D7/509
D670,836 S *	11/2012	Hisey	26/22
D671,365 S *	11/2012	Gold	D7/509
D684,459 S *	6/2013	Stowe	D9/428
D716,648 S *	11/2014	Tan	D9/416
D750,436 S *	3/2016	Hopkins	D7/523
D750,437 S *	3/2016	Katterheinrich	D7/523
D757,497 S *	5/2016	Bodum	D7/509

(Continued)

- (22) Filed: **Nov. 2, 2015**
- (51) **LOC (10) Cl.** ..... **07-01**
- (52) **U.S. Cl.**  
USPC ..... **D7/523; D7/532**
- (58) **Field of Classification Search**  
USPC ..... D7/507, 509, 510, 511, 523, 529, 530,  
D7/531, 532, 533, 536, 392.1, 396.2, 394,  
D7/396.4, 300, 1, 642, 688, 697, 690,  
D7/624.1, 624.2; 220/592.16, 592.17,  
220/710.5, 495.03; D9/565, 552, 455,  
D9/454, 434; D5/53, 59; D10/46.2  
CPC ..... B65D 47/066; A47J 43/27; A47G 19/22;  
A47G 19/2222; A47G 19/2227; A45F  
3/20

See application file for complete search history.

(56) **References Cited**

**U.S. PATENT DOCUMENTS**

3,269,144 A *	8/1966	Poris	F25D 3/00 62/457.3
3,394,562 A *	7/1968	Coleman	F25D 3/00 62/457.3
4,420,081 A *	12/1983	Dart	B65D 1/265 206/519
D273,651 S *	5/1984	Emrick	D7/523
D280,600 S *	9/1985	Earl	D9/428
5,076,463 A *	12/1991	McGraw	A47G 19/2288 126/400

**OTHER PUBLICATIONS**

“Classic—Vacuum Insulated,” Klean Kanteen Promotional Shelf Talkers, Jan. 7, 2016, 7 pages.

(Continued)

*Primary Examiner* — Marianne Pandozzi  
*Assistant Examiner* — Jae Liang  
(74) *Attorney, Agent, or Firm* — Alleman Hall Creasman & Tuttle LLP

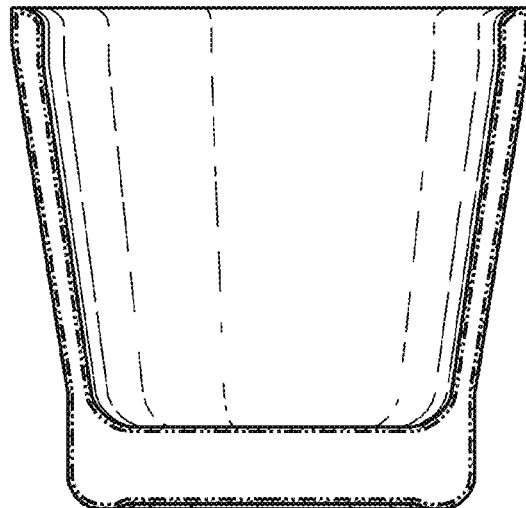
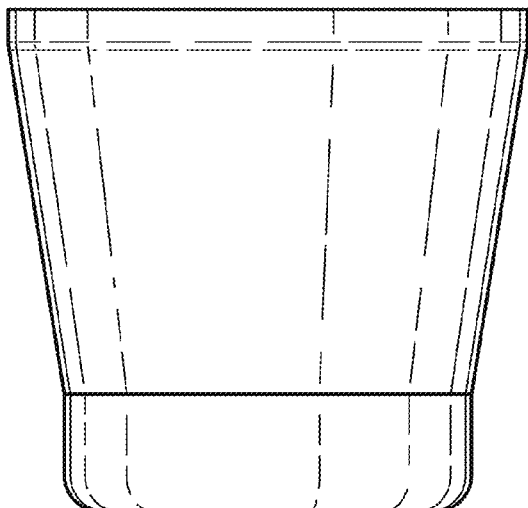
(57) **CLAIM**

The ornamental design for an insulated vessel, as shown and described.

**DESCRIPTION**

FIG. 1 is a top perspective view of an insulated vessel showing our new design;  
FIG. 2 is a side view thereof;  
FIG. 3 is a cross section view showing a section taken along line 3-3 of FIG. 4;  
FIG. 4 is a top view thereof; and,  
FIG. 5 is a bottom view thereof.  
The broken lines in the drawing depict portions of the insulated vessel that form no part of the claimed design.

**1 Claim, 1 Drawing Sheet**



(56)

**References Cited**

U.S. PATENT DOCUMENTS

D765,471 S \* 9/2016 Gorbald ..... D7/509

OTHER PUBLICATIONS

“ISPO Munich Jan. 24-27, 2016 #Bringyourown,” Klean Kanteen Promotional Materials, Winter Market 2016, Jan. 25, 2016, 10 pages.

“Klean Kanteen—2016 Collection,” Sample Pages from Klean Kanteen Co-Brand Workbook, Apr. 13, 2016, 2 pages.

“Project: America’s Best Espresso / 8 oz Insulated Tumbler / Antique White,” Klean Kanteen Coffee Fest Dallas VIP Tumbler Design, Jun. 8, 2016, 2 pages.

“New Leakproof Cafe Cap and Drinkware,” Klean Kanteen Promotional Email, Jun. 10, 2016, 3 pages.

“New 8oz Insulated Tumbler,” Klean Kanteen Promotional Email, Jun. 10, 2016, 2 pages.

“New 20oz Tumbler +20oz Pint,” Klean Kanteen Promotional Email, Jun. 10, 2016, 2 pages.

\* cited by examiner

Fig. 1

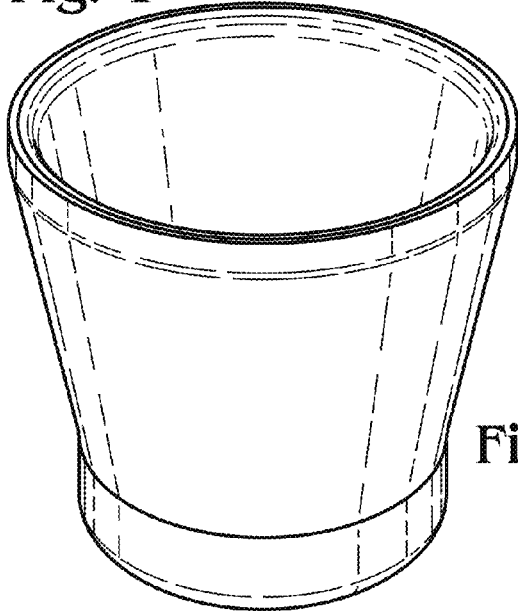


Fig. 2

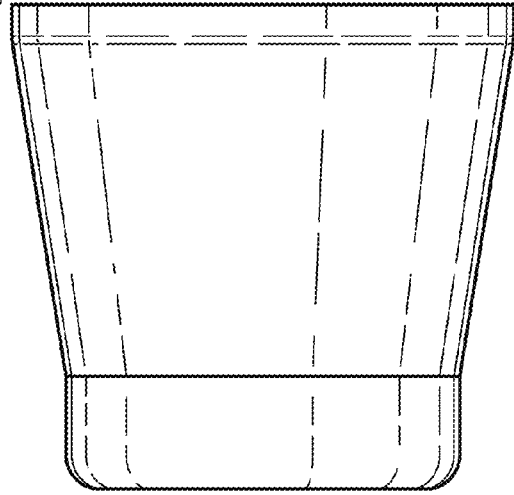


Fig. 3

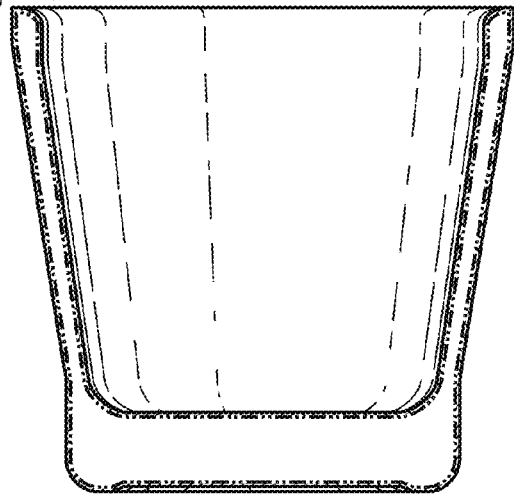


Fig. 4

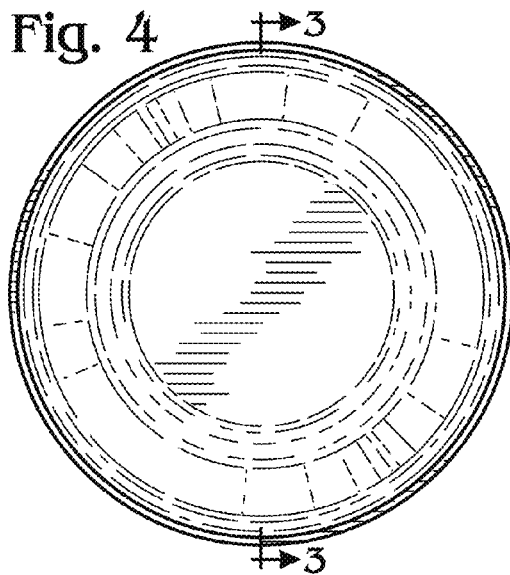


Fig. 5

