



US00D997733S

(12) **United States Design Patent**
Crocker

(10) **Patent No.:** **US D997,733 S**

(45) **Date of Patent:** **** Sep. 5, 2023**

- (54) **BOTTLE**
- (71) Applicant: **FRANK AUGUST, LLLP**, Bardstown, KY (US)
- (72) Inventor: **Johnathan Crocker**, Bardstown, KY (US)
- (73) Assignee: **FRANK AUGUST, LLLP**, Bardstown, KY (US)
- (**) Term: **15 Years**
- (21) Appl. No.: **29/811,639**

D694,637 S *	12/2013	Gaydon	D9/558
D720,233 S *	12/2014	Thompson	D9/558
D737,146 S *	8/2015	Kramer	D9/542
D799,969 S *	10/2017	Harris	D9/500
D807,757 S *	1/2018	Feletto	D9/558
D821,875 S *	7/2018	Miller	D9/520
D856,813 S *	8/2019	Zamanian	D9/546
D883,089 S *	5/2020	Welch	D9/500
D920,798 S *	6/2021	Feletto	D9/544

- (22) Filed: **Oct. 15, 2021**
- (51) **LOC (14) Cl.** **09-01**
- (52) **U.S. Cl.**
USPC **D9/545**
- (58) **Field of Classification Search**
USPC D9/523, 528, 530, 531, 539, 540, 543,
D9/545, 546, 549, 550, 552, 563, 572,
D9/575
CPC B65D 1/02; B65D 1/0223; B65D 1/023;
B65D 1/0261; B65D 2501/0009; B65D
2501/0081; B65D 2501/009
See application file for complete search history.

OTHER PUBLICATIONS

Mid 20th Century Bottle Neck Lab Glass Container With Lid, Made in the Mid 20th Century 1933-1967 [online], site visited Mar. 2, 2023. Available from Internet, URL: <http://www.chairish.com> (Year: 1967).*

* cited by examiner

Primary Examiner — Janice Patyk
(74) *Attorney, Agent, or Firm* — Dickinson Wright PLLC; Andrew D. Dorisio

(57) **CLAIM**
The ornamental design for a bottle, as shown and described.

DESCRIPTION

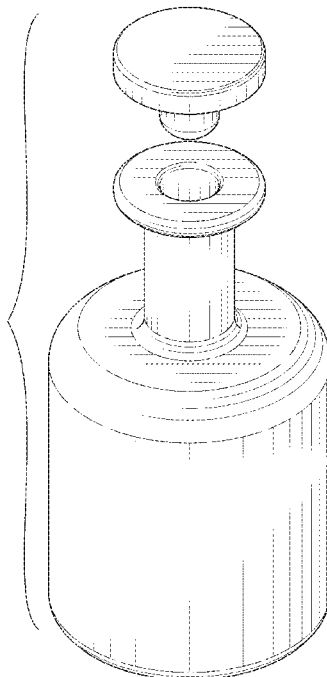
FIG. 1 is an exploded top perspective view of a bottle, showing my new design;
FIG. 2 is an exploded front view thereof;
FIG. 3 is an exploded rear view thereof;
FIG. 4 is an exploded left side view thereof;
FIG. 5 is an exploded right side view thereof;
FIG. 6 is a top view thereof; and,
FIG. 7 is a bottom view thereof.
The broken lines in the figures illustrate the portions of the bottle and form no part of the claimed design.

1 Claim, 6 Drawing Sheets

(56) **References Cited**

U.S. PATENT DOCUMENTS

D266,650 S *	10/1982	Sarpaneva	D9/545
D323,459 S *	1/1992	Cassini	D9/545
D356,952 S *	4/1995	Daucourt	D9/551
D391,494 S *	3/1998	Bond	D9/546
D637,083 S *	5/2011	Delbon	D9/500
D652,309 S *	1/2012	Hartford	D9/563



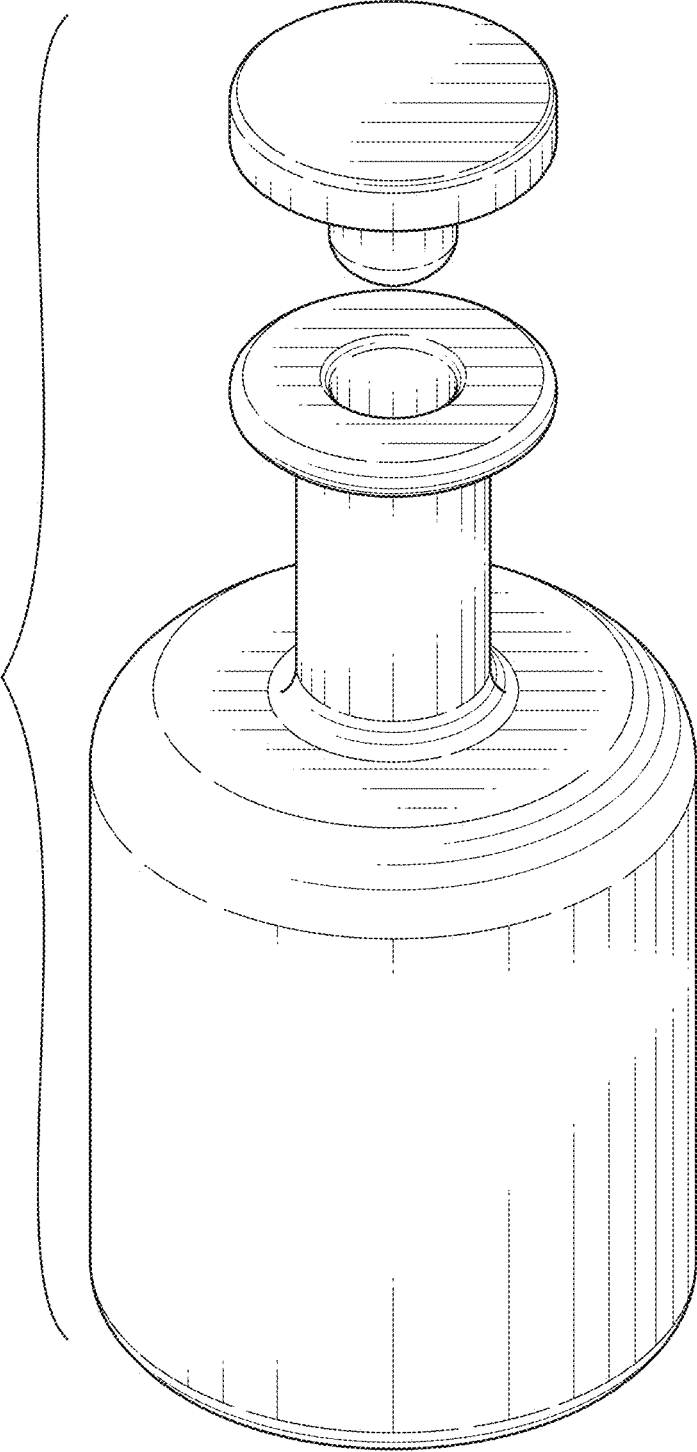


FIG. 1

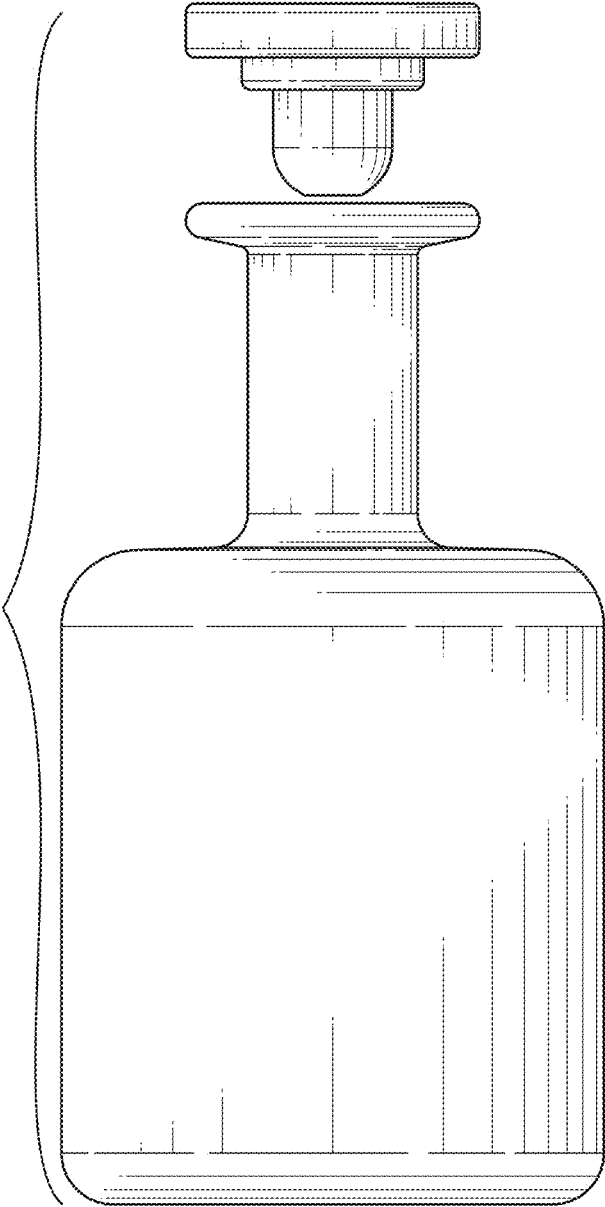


FIG. 2

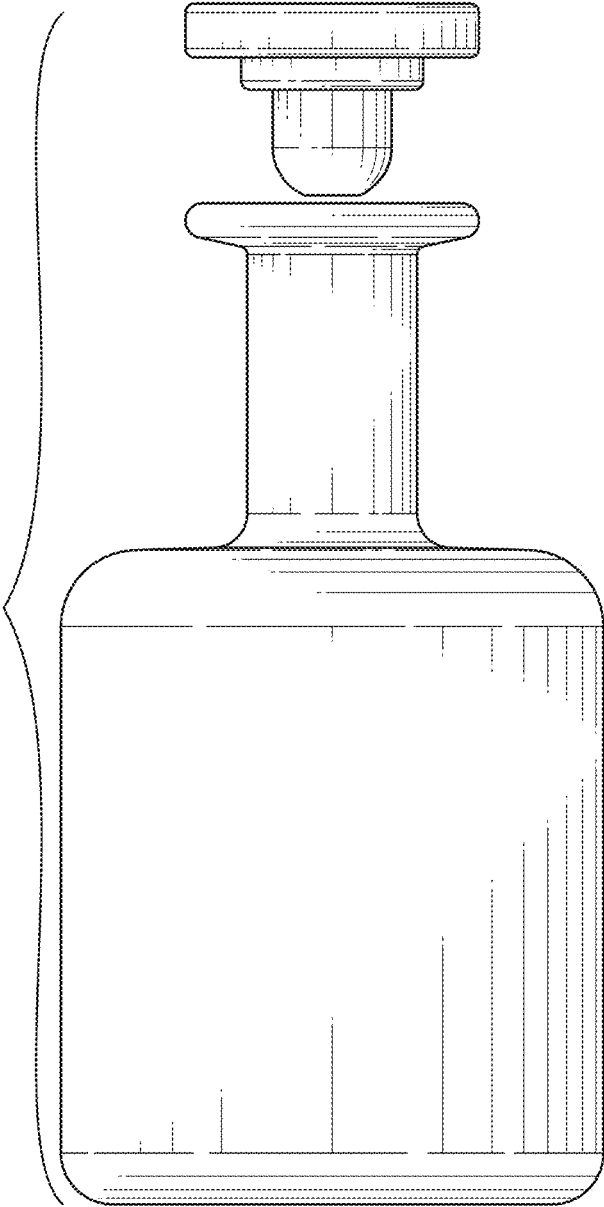


FIG. 3

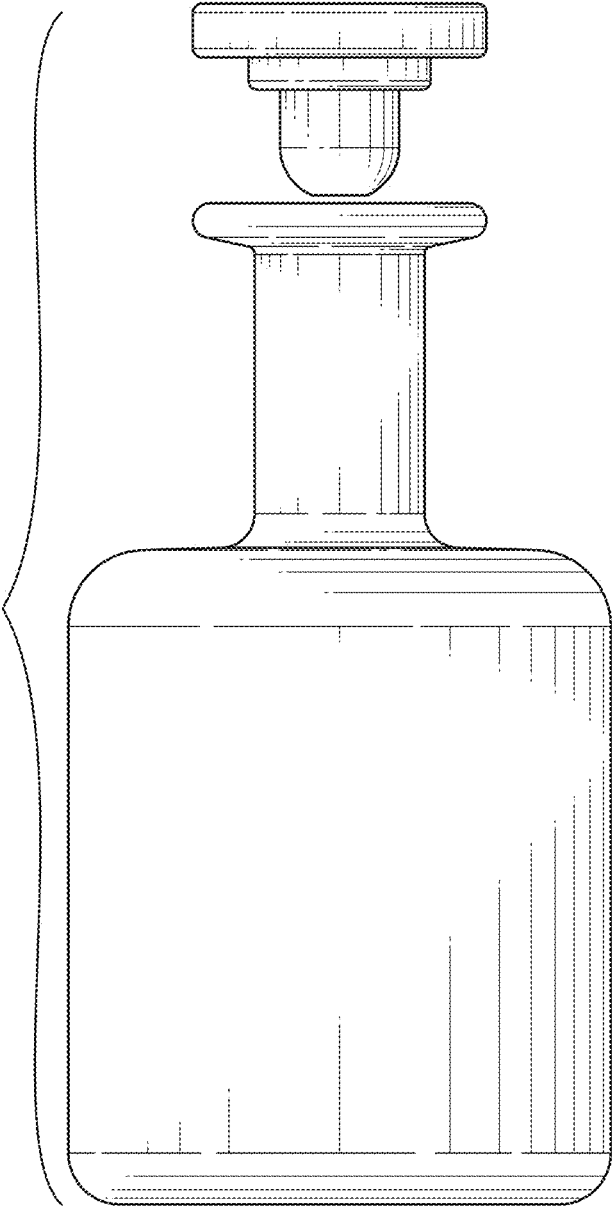


FIG. 4

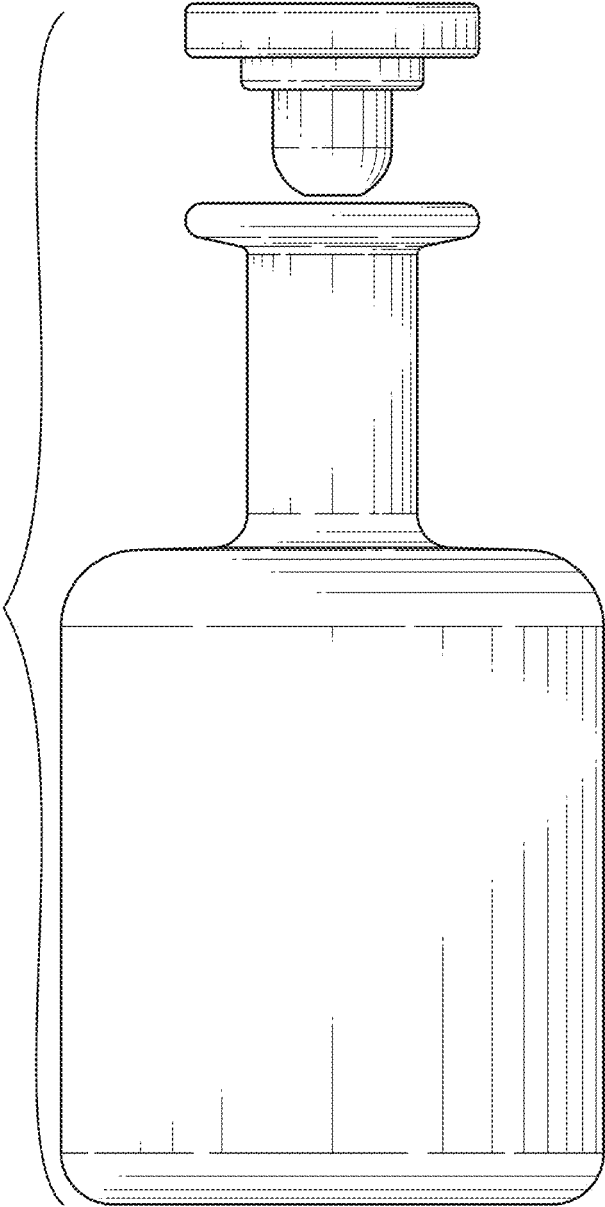


FIG. 5

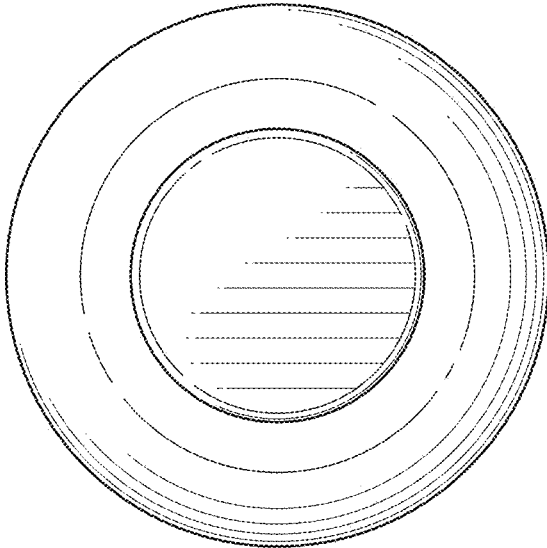


FIG. 6

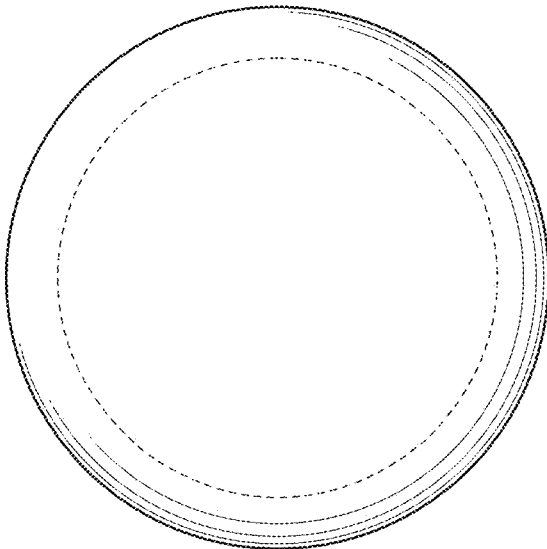


FIG. 7