



US00D818438S

(12) **United States Design Patent** (10) **Patent No.:** **US D818,438 S**
Sinclair et al. (45) **Date of Patent:** **** May 22, 2018**

- (54) **ELECTRICAL PLUG HOUSING**
- (71) Applicant: **IP Holdings, LLC**, Vancouver, WA (US)
- (72) Inventors: **Michael Sinclair**, Vancouver, WA (US); **Sergio Corona**, Upland, CA (US)
- (73) Assignee: **IP Holdings, LLC**, Vancouver, WA (US)
- (**) Term: **15 Years**
- (21) Appl. No.: **29/558,123**
- (22) Filed: **Mar. 15, 2016**

5,451,171 A	9/1995	Dickie	
5,462,457 A	10/1995	Schroepfer	
D373,568 S	9/1996	Bloom	
D375,081 S	10/1996	Sandor	
5,603,638 A	2/1997	Brown	
5,613,863 A	3/1997	Klaus	
5,620,335 A	4/1997	Siemon	
D379,177 S	5/1997	Chu	
D380,732 S	7/1997	Saunders	
D399,822 S	10/1998	Starec	
D400,173 S	10/1998	Starec	
D406,260 S	3/1999	Wardenburg	
D404,008 S	10/1999	Bennet	
6,074,234 A	6/2000	Hasegawa	
6,109,977 A	8/2000	Baxter	
D437,828 S	2/2001	Corona	
D439,221 S	3/2001	Corona	
D445,763 S	7/2001	Corona	
D446,186 S *	8/2001	Corona	D13/133
6,290,512 B1	9/2001	Mullen	

Related U.S. Application Data

- (63) Continuation of application No. 29/520,168, filed on Mar. 11, 2015, now Pat. No. Des. 755,722, which is a continuation of application No. 29/446,133, filed on Feb. 20, 2013, now Pat. No. Des. 726,116.
- (51) **LOC (11) Cl.** **13-03**
- (52) **U.S. Cl.**
USPC **D13/146**
- (58) **Field of Classification Search**
USPC D13/137.01, 137.3, 138.1, 138.2, 139.1, D13/133, 146, 147, 154, 184, 199
See application file for complete search history.

References Cited

U.S. PATENT DOCUMENTS

3,025,486 A	3/1962	Falconer
4,203,004 A	5/1980	Cox
D286,397 S	10/1986	Challans
D314,750 S	2/1991	Wegrzyn
D322,954 S	1/1992	Avramovich
D324,028 S	2/1992	Sueyoshi
D358,802 S	5/1995	Kunz

(Continued)

Primary Examiner — Daniel Bui
(74) *Attorney, Agent, or Firm* — Robert J. Ireland

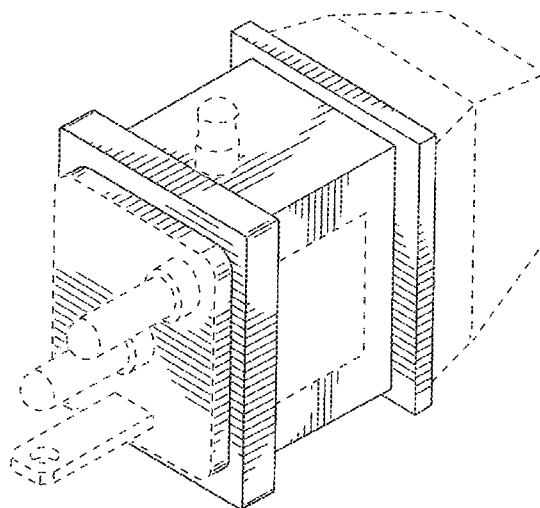
(57) **CLAIM**

The ornamental design for an electrical plug housing, as shown and described.

DESCRIPTION

FIG. 1 is a front, top, and right side perspective view of an electrical plug housing showing our new design; FIG. 2 is a right side elevation view thereof; FIG. 3 is a left side elevation view thereof; FIG. 4 is a top plan view thereof; FIG. 5 is a bottom plan view thereof; FIG. 6 is a back elevation view thereof; and, FIG. 7 is a front elevation view thereof. The broken-line in the drawing views represent unclaimed environment only and forms no part of the claimed design.

1 Claim, 7 Drawing Sheets



(56)

References Cited

U.S. PATENT DOCUMENTS

6,379,169	B1 *	4/2002	Corona	H01R 13/5219
				439/271
6,383,003	B1	5/2002	Corona	
D460,049	S	7/2002	McCoy	
6,435,916	B1	8/2002	Amberg	
D472,883	S	4/2003	Harvey	
D492,652	S	7/2004	McCoy	
D493,428	S	7/2004	McCoy	
6,790,093	B2	9/2004	Tanaka	
D510,067	S	9/2005	Miller	
D511,748	S	11/2005	Caine	
6,991,482	B1	1/2006	Liao	
6,997,723	B2	2/2006	Lee	
D530,286	S	10/2006	Phung	
D543,941	S	6/2007	Hargreaves	
D544,840	S	6/2007	Hargreaves	
D545,764	S	7/2007	Allison	
D570,295	S	6/2008	Hargreaves	
7,390,210	B2	6/2008	Corona	
7,431,602	B2	10/2008	Corona	
7,785,123	B2	8/2010	Corona	
7,791,864	B2	8/2010	Matyas	
D677,629	S *	3/2013	Corona	D13/133
D678,200	S	3/2013	Corona	
D726,116	S *	4/2015	Corona	D13/146
D755,722	S *	5/2016	Sinclair	D13/146
2003/0068909	A1	4/2003	Su	

* cited by examiner

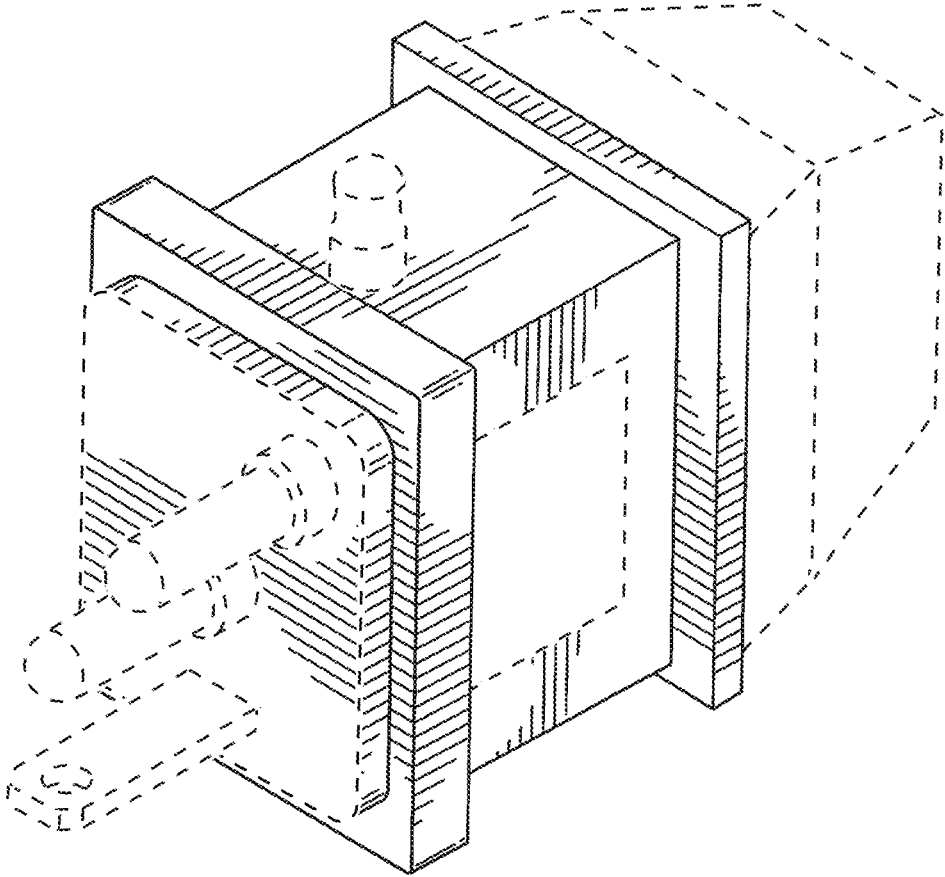


FIG. 1

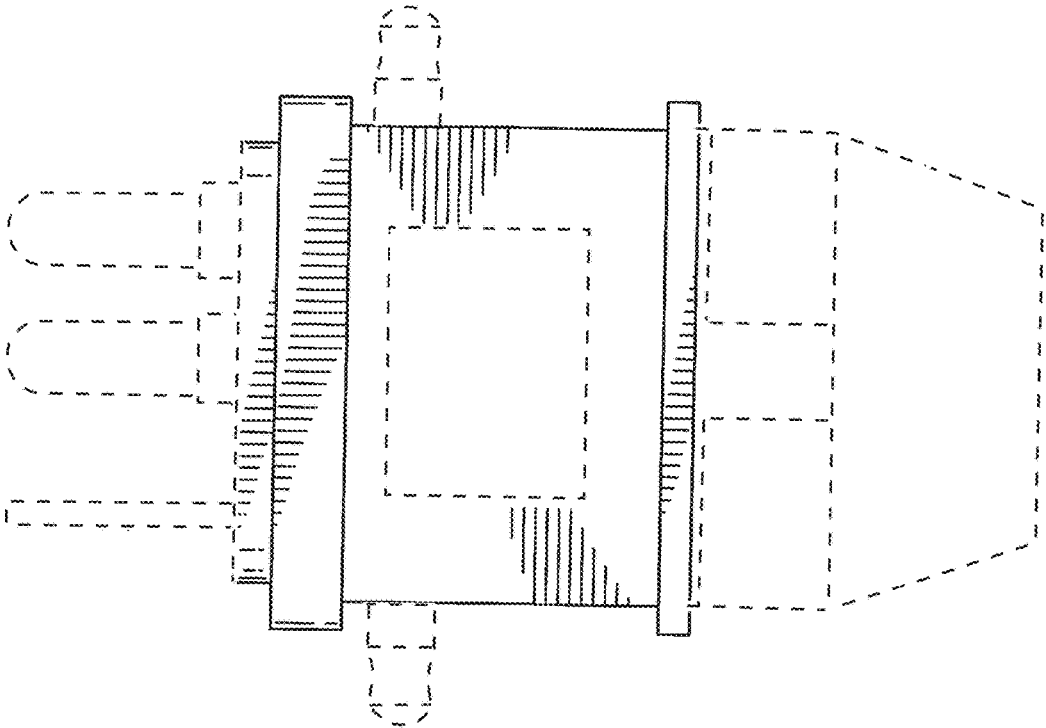


FIG. 2

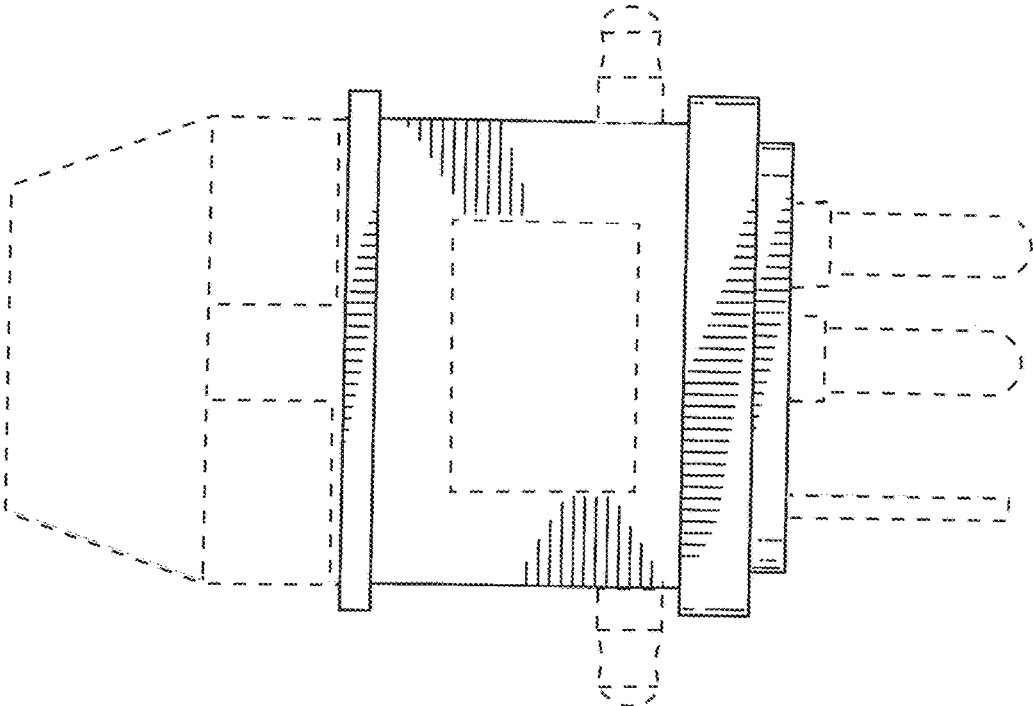


FIG. 3

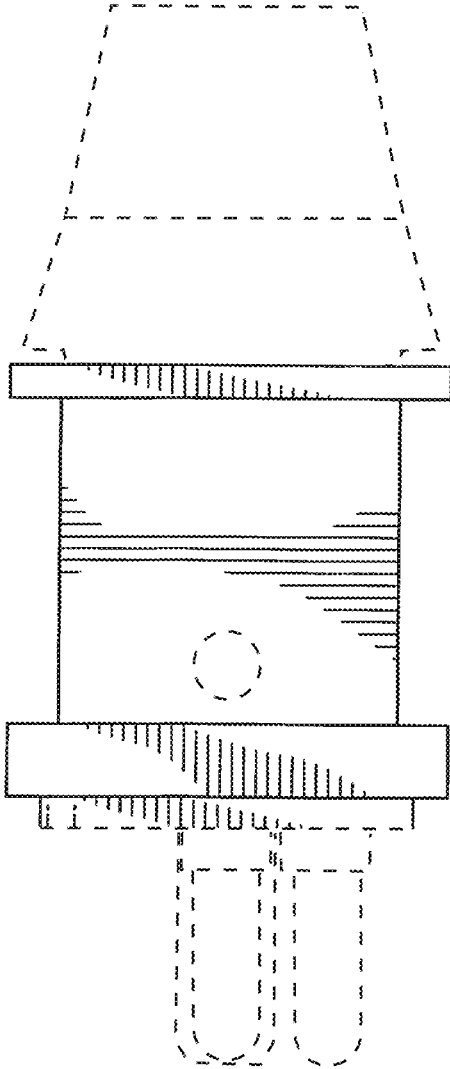


FIG. 4

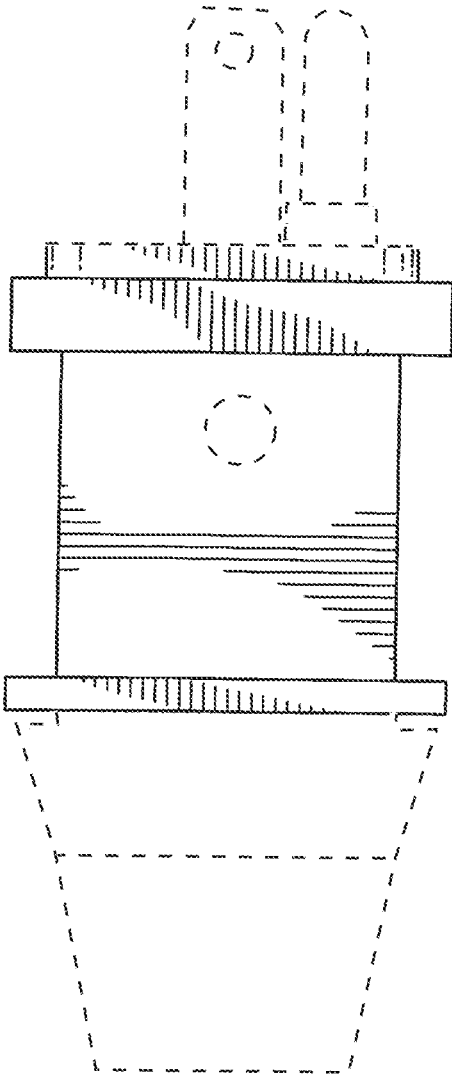


FIG. 5

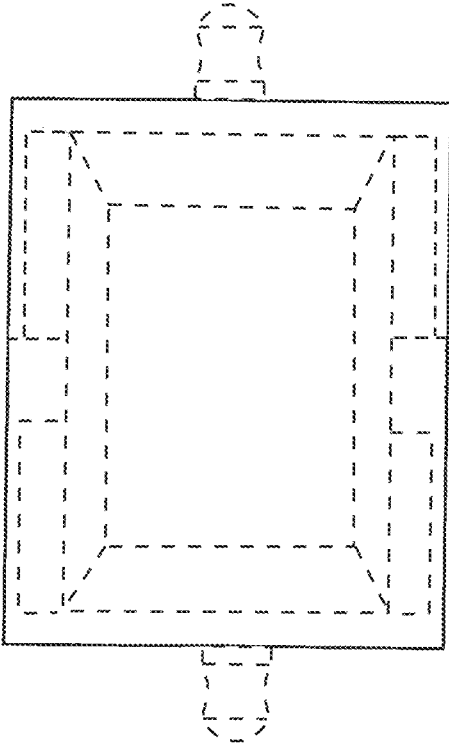


FIG. 6

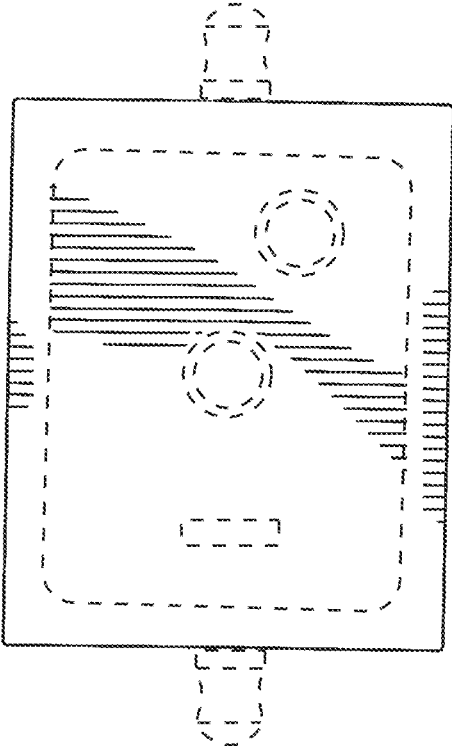


FIG. 7