



US00D952128S

(12) **United States Design Patent**  
**Wang**

(10) **Patent No.:** **US D952,128 S**

(45) **Date of Patent:** **\*\* May 17, 2022**

(54) **CEILING FAN**

(71) Applicant: **AIR COOL INDUSTRIAL CO., LTD.**, Taichung (TW)

(72) Inventor: **Cliff Wang**, Taichung (TW)

(73) Assignee: **AIR COOL INDUSTRIAL CO., LTD.**, Taichung (TW)

(\*\*) Term: **15 Years**

(21) Appl. No.: **29/752,601**

(22) Filed: **Sep. 28, 2020**

(51) **LOC (13) Cl.** ..... **23-03**

(52) **U.S. Cl.**  
USPC ..... **D23/411; D23/377**

(58) **Field of Classification Search**  
USPC ..... D23/370, 377, 379, 385, 411-414;  
D26/59  
CPC ..... F04D 25/088; F04D 29/38; F04D 29/384;  
F04D 29/386; F21V 33/0096  
See application file for complete search history.

(56) **References Cited**

**U.S. PATENT DOCUMENTS**

D707,336 S \* 6/2014 Pan ..... D23/385  
D794,768 S \* 8/2017 Wang ..... D23/377  
D804,629 S \* 12/2017 McRoberts ..... D23/377

D850,603 S \* 6/2019 Wang ..... D26/59  
D877,883 S \* 3/2020 Schulzman ..... D23/413  
D936,813 S \* 11/2021 McRoberts ..... D23/377  
2008/0069700 A1\* 3/2008 Laisathit ..... F04D 29/384  
416/242  
2008/0175710 A1\* 7/2008 Pearce ..... F04D 29/34  
416/136  
2019/0285084 A1\* 9/2019 Yu ..... F04D 29/388

\* cited by examiner

*Primary Examiner* — Sharon S Oum

(74) *Attorney, Agent, or Firm* — Pai Patent & Trademark Law Firm; Chao-Chang David Pai

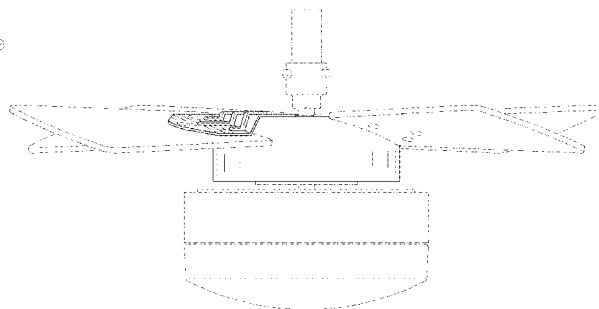
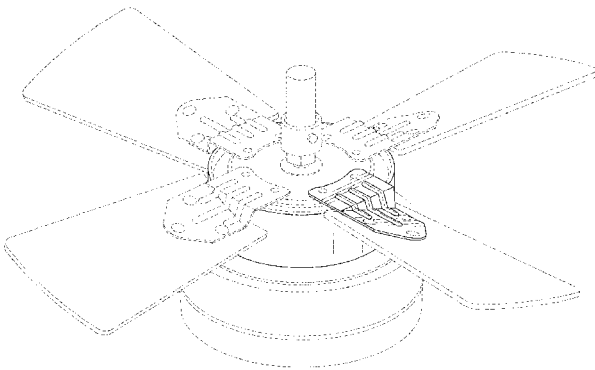
(57) **CLAIM**

The ornamental design for a ceiling fan, as shown and described.

**DESCRIPTION**

FIG. 1 is a front top perspective view of a ceiling fan showing my new design;  
FIG. 2 is a front elevational view thereof;  
FIG. 3 is a rear elevational view thereof;  
FIG. 4 is a left side elevational view thereof;  
FIG. 5 is a right side elevational view thereof;  
FIG. 6 is a top plan view thereof;  
FIG. 7 is a bottom plan view thereof; and,  
FIG. 8 is a front bottom perspective view thereof.  
The broken lines illustrate portions of the ceiling fan that form no part of the claimed design.

**1 Claim, 8 Drawing Sheets**



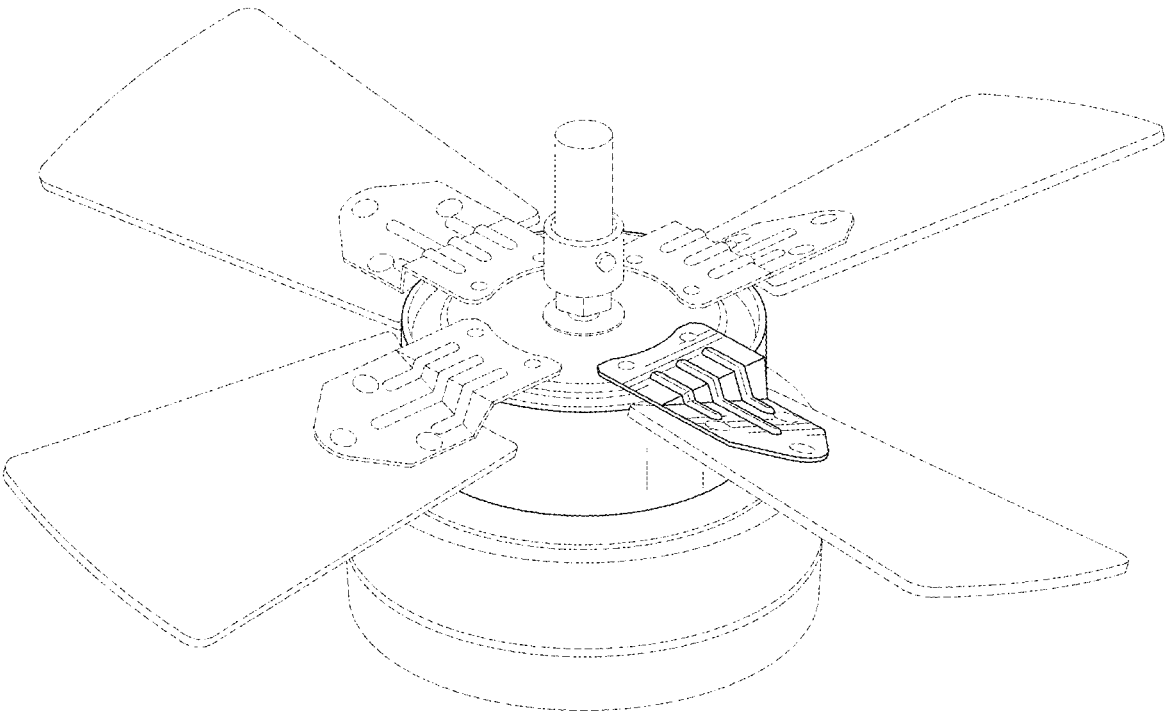


FIG. 1

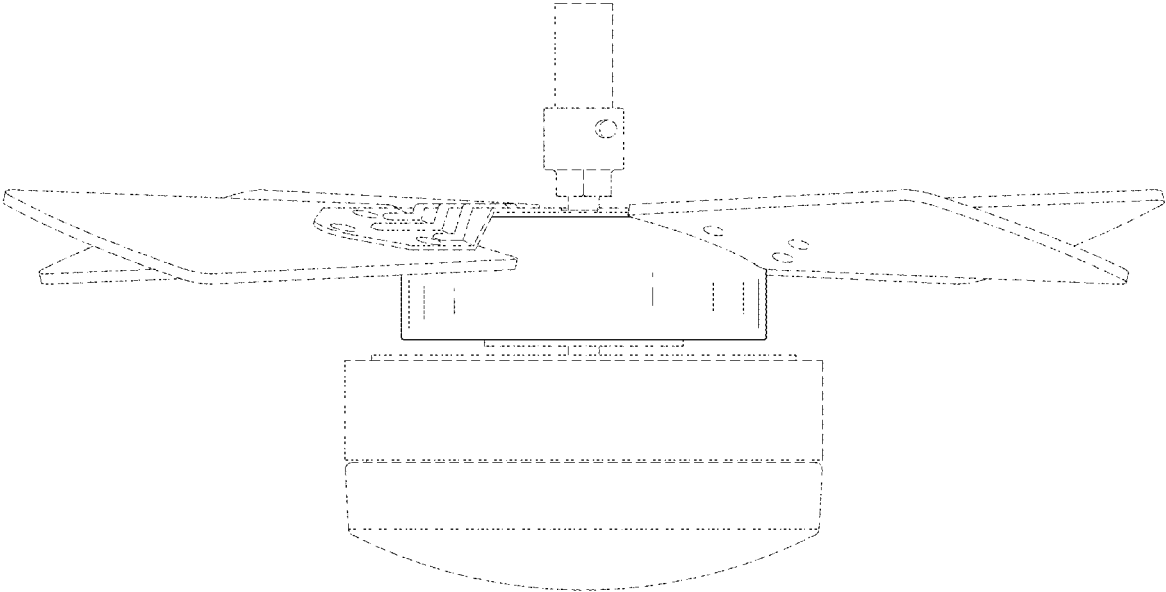


FIG. 2

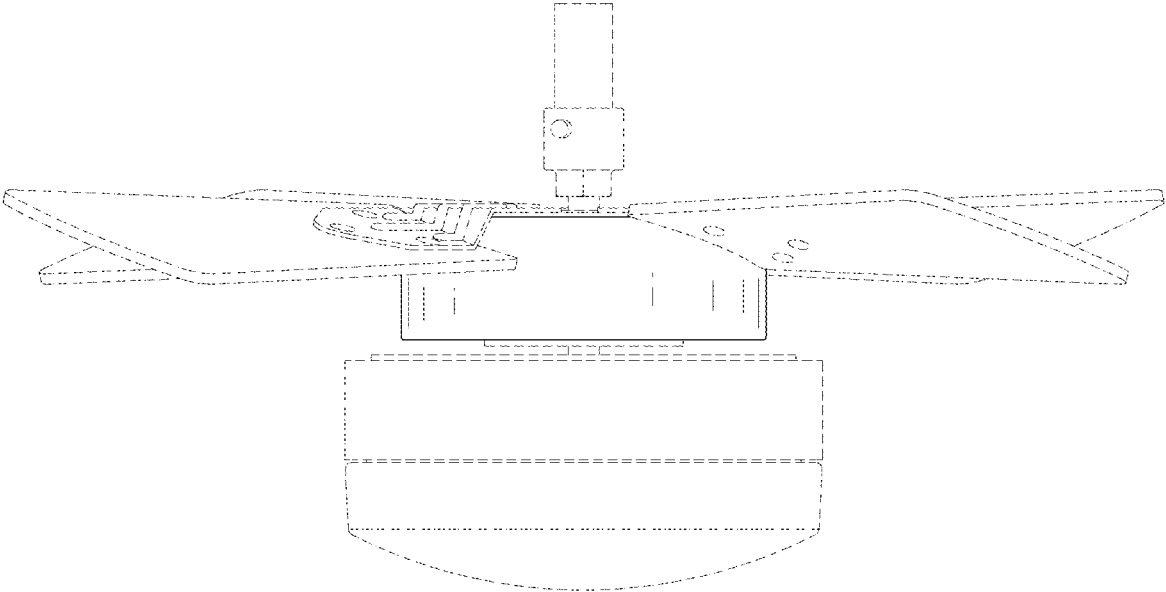


FIG. 3

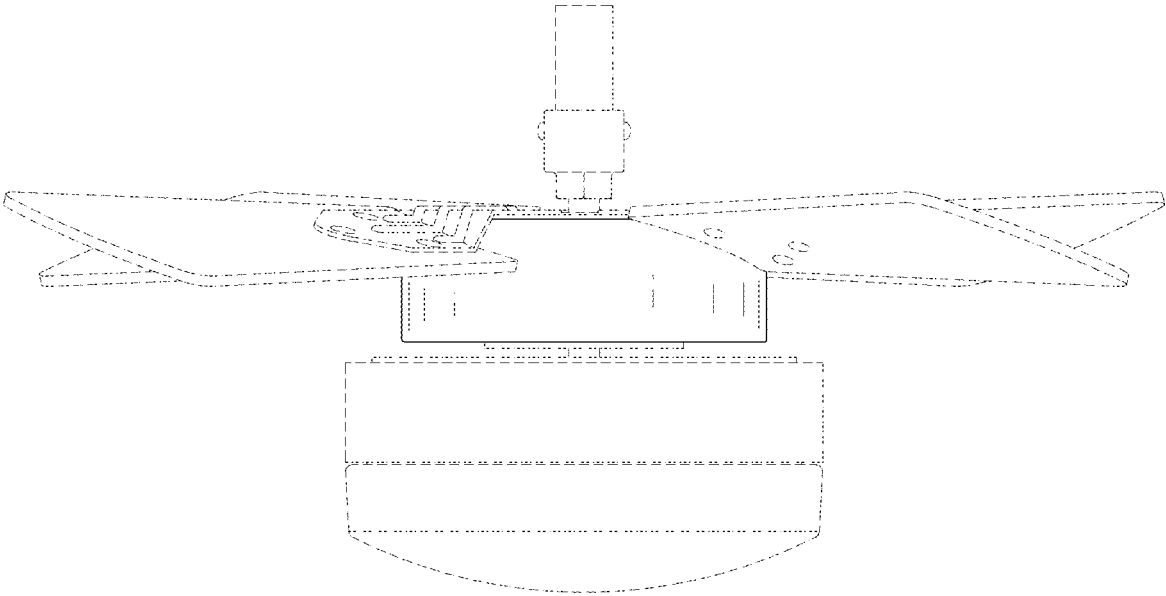


FIG. 4

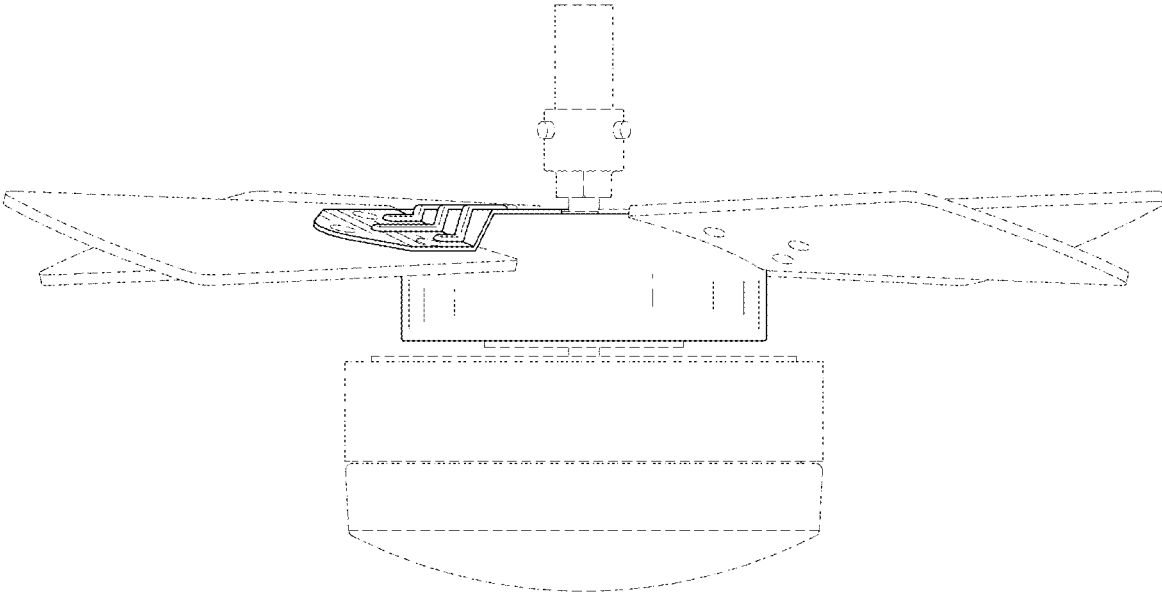


FIG. 5

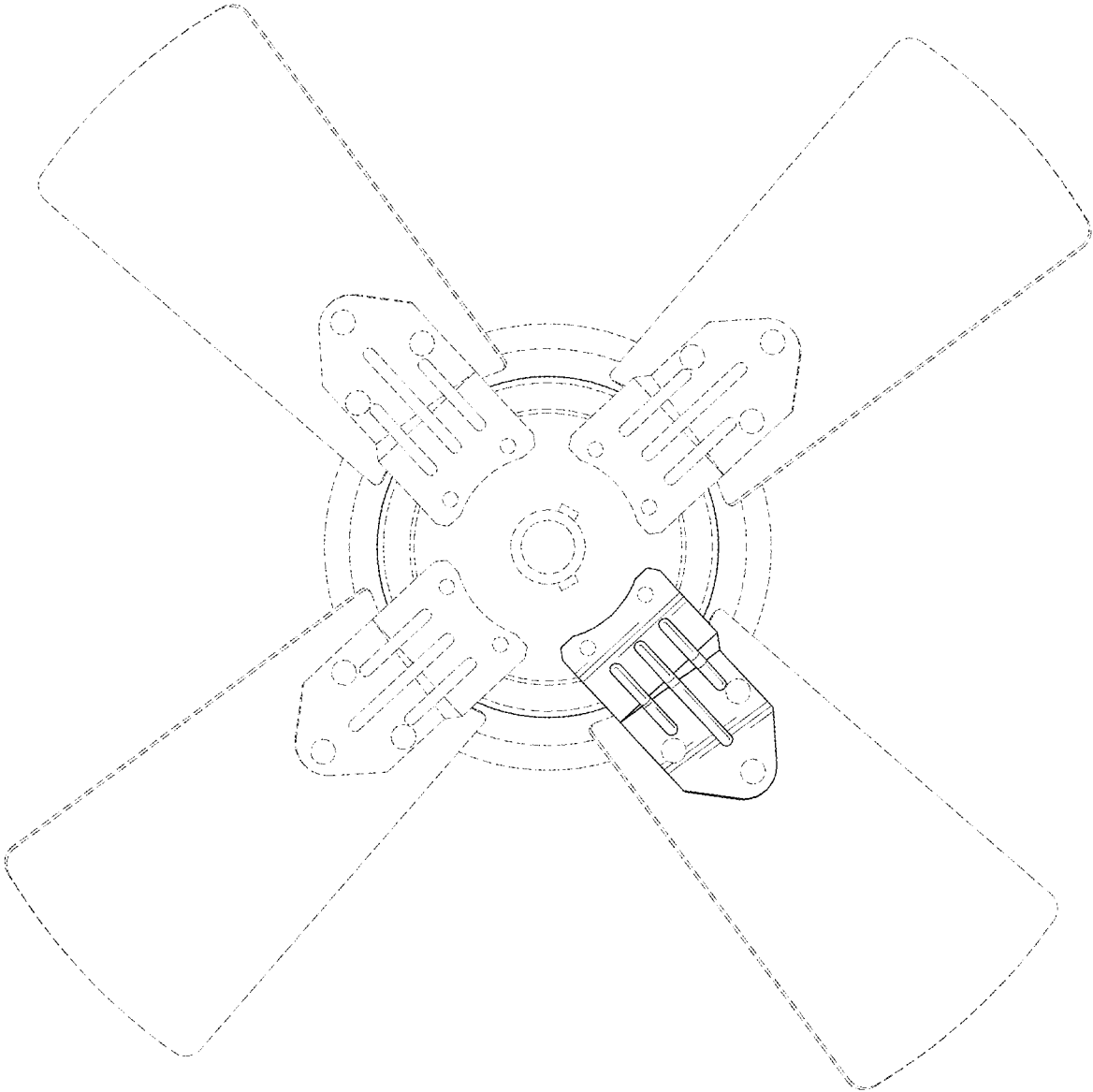


FIG. 6

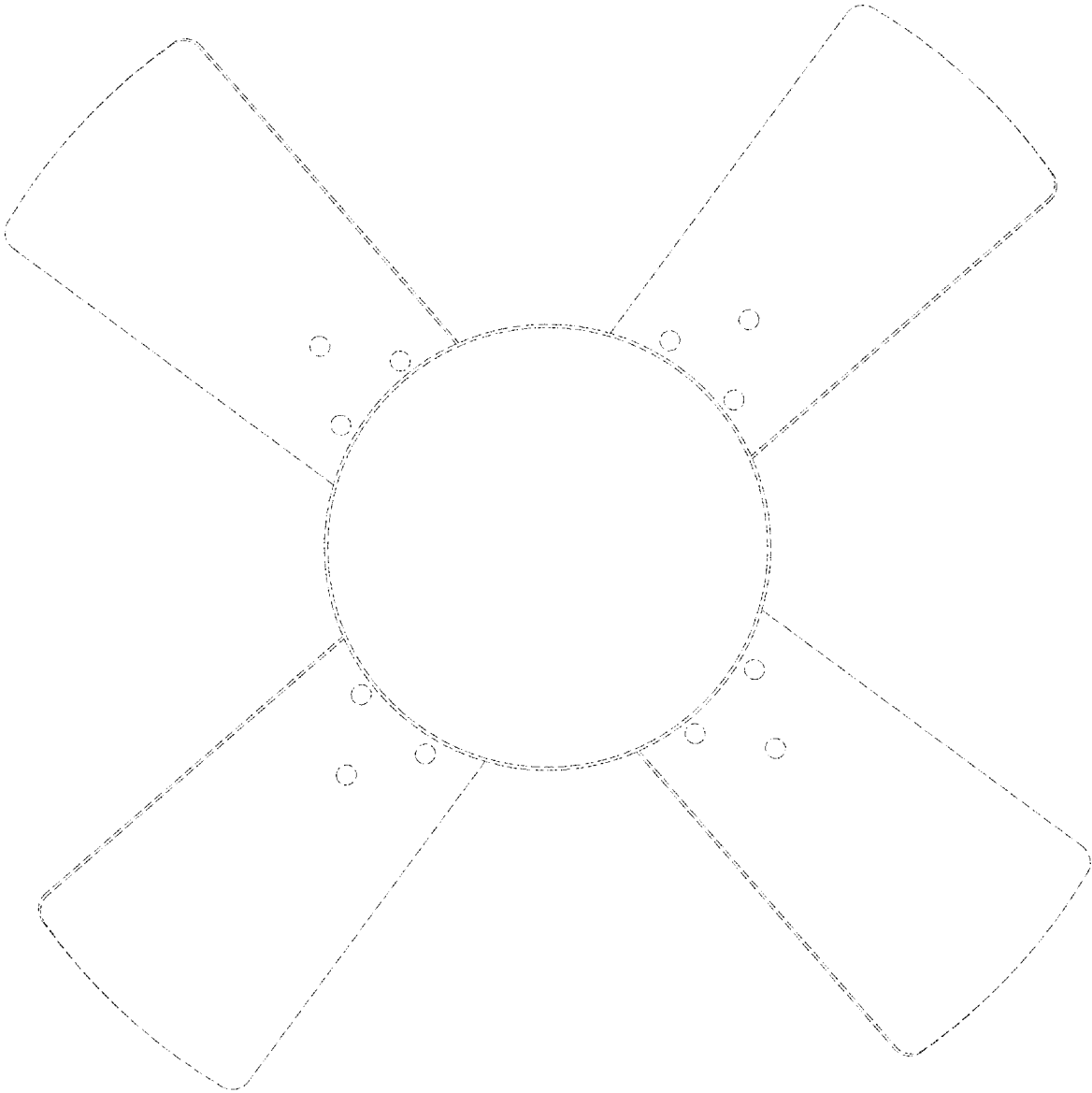


FIG. 7

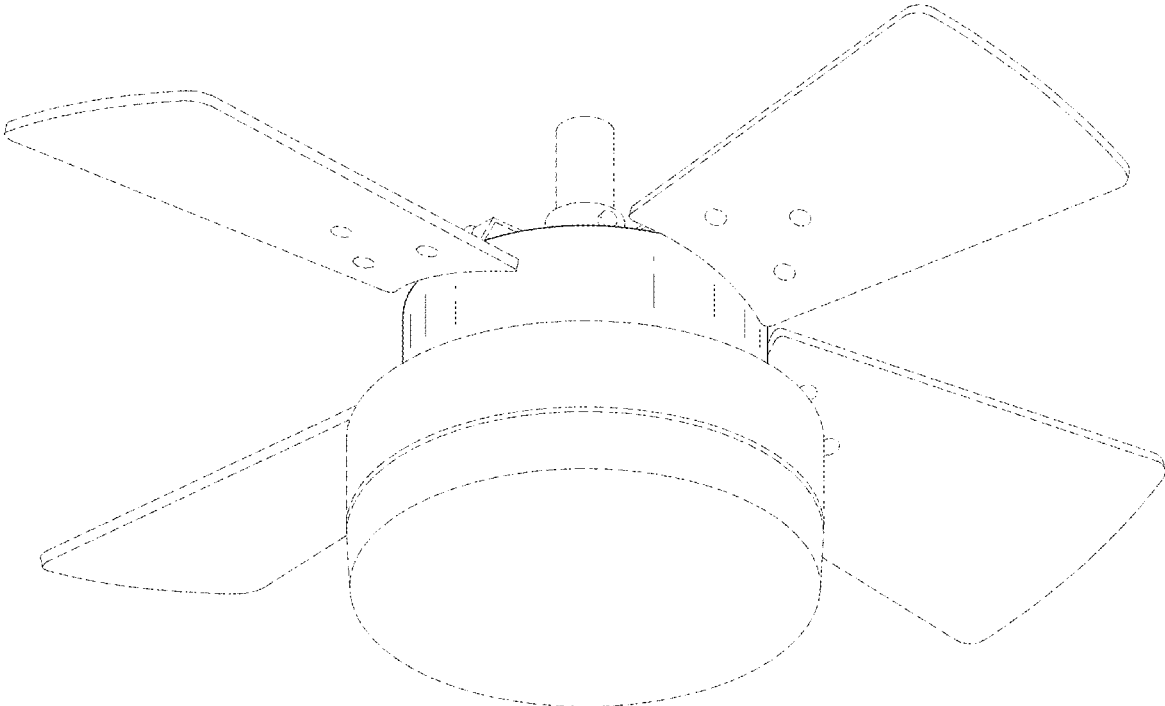


FIG. 8