



US00D998488S

(12) **United States Design Patent**
Wright et al.

(10) **Patent No.:** **US D998,488 S**

(45) **Date of Patent:** **** *Sep. 12, 2023**

(54) **PROTECTION CASE FOR AN ELECTRONIC TRACKING DEVICE**

Primary Examiner — George D. Kirschbaum

Assistant Examiner — Lillian Windham

(74) *Attorney, Agent, or Firm* — Dinsmore & Shohl LLP

(71) Applicant: **Catalyst Lifestyle Limited**, North Point (HK)

(57) **CLAIM**

The ornamental design for a protection case for an electronic tracking device, as shown and described.

(72) Inventors: **Joshua Wright**, Hong Kong (CN);
June Lai, Hong Kong (CN)

(73) Assignee: **CATALYST LIFESTYLE LIMITED**, North Point (HK)

DESCRIPTION

(*) Notice: This patent is subject to a terminal disclaimer.

FIG. 1 is a perspective view including the front, top, and side of a protection case for an electronic tracking device;

FIG. 2 is a perspective view including the rear, bottom, and opposite side of the protection case for an electronic tracking device of FIG. 1;

(**) Term: **15 Years**

FIG. 3 is a front elevation view of the protection case for an electronic tracking device of FIG. 1;

(21) Appl. No.: **29/829,650**

FIG. 4 is a rear elevation view of the protection case for an electronic tracking device of FIG. 1;

(22) Filed: **Mar. 7, 2022**

FIG. 5 is an opposite side elevation view of the protection case for an electronic tracking device of FIG. 1;

(30) **Foreign Application Priority Data**

Sep. 8, 2021 (CN) 202130594482.9

FIG. 6 is a side elevation view of the protection case for an electronic tracking device of FIG. 1;

(51) **LOC (14) Cl.** **10-06**

FIG. 7 is a top plan view of the protection case for an electronic tracking device of FIG. 1;

(52) **U.S. Cl.**
USPC **D10/121**

FIG. 8 is a bottom plan view of the protection case for an electronic tracking device of FIG. 1;

(58) **Field of Classification Search**
USPC D10/70, 97, 103, 104.1, 104.2, 106.1,
D10/106.6, 106.9, 106.94, 121; D3/201,
(Continued)

FIG. 9 is a perspective view including the front, top, and side of a protection case for an electronic tracking device shown in a configuration of use;

FIG. 10 is a perspective view including the rear, bottom, and opposite side of the protection case for an electronic tracking device of FIG. 9;

(56) **References Cited**

U.S. PATENT DOCUMENTS

2,511,651 A 6/1950 Schlitz
3,407,523 A 10/1968 Winston
(Continued)

FIG. 11 is a front elevation view of the protection case for an electronic tracking device of FIG. 9;

FIG. 12 is a rear elevation view of the protection case for an electronic tracking device of FIG. 9;

FIG. 13 is an opposite side elevation view of the protection case for an electronic tracking device of FIG. 9;

FIG. 14 is a side elevation view of the protection case for an electronic tracking device of FIG. 9;

FIG. 15 is a top plan view of the protection case for an electronic tracking device of FIG. 9; and,

OTHER PUBLICATIONS

U.S. Office Action dated Nov. 10, 2022 pertaining to U.S. Appl. No. 29/801,947, filed Aug. 2, 2021, 7 pages.

(Continued)

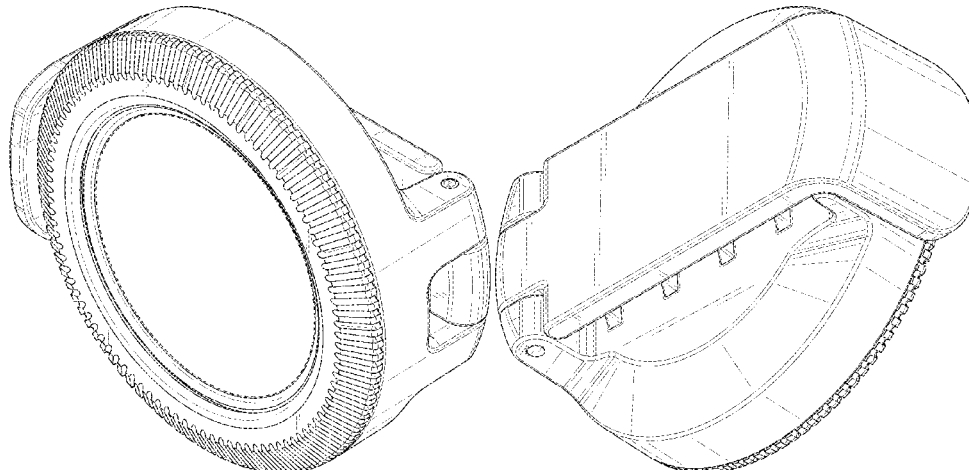


FIG. 16 is a bottom plan view of the protection case for an electronic tracking device of FIG. 9.

The broken lines depict portions of the protection case for an electronic tracking device that form no part of the claimed design.

1 Claim, 16 Drawing Sheets

(58) **Field of Classification Search**

USPC D3/203.2, 207, 208, 210, 215, 218, 229,
 D3/273; D11/78.1, 80, 221; D14/192,
 D14/203.1, 203.6, 216, 251, 253, 344;
 D30/155
 CPC G08B 13/2434; G08B 21/0291; E05B
 73/0023; E05B 73/0041
 See application file for complete search history.

(56) **References Cited**

U.S. PATENT DOCUMENTS

D389,999 S 2/1998 Daigle
 D390,493 S * 2/1998 Fletcher D11/78.1
 D431,341 S 9/2000 DiPaolo
 D456,986 S 5/2002 Truisi
 D463,104 S 9/2002 Ames
 D519,057 S 4/2006 Gracer
 D526,916 S * 8/2006 Oas D10/70
 D596,514 S 7/2009 Luzar
 D619,499 S 7/2010 Weyer

D625,761 S 10/2010 Pavlik
 D630,112 S * 1/2011 Maruyama D10/70
 D647,810 S 11/2011 Bohrer
 D666,112 S * 8/2012 Chang D10/70
 D683,251 S 5/2013 Dumas
 D709,344 S 7/2014 Adelman
 D714,665 S 10/2014 Naughton et al.
 D717,537 S 11/2014 Tsai
 D728,393 S * 5/2015 Au Yeung D10/70
 D730,225 S * 5/2015 Behar D10/103
 D735,607 S 8/2015 Oberwelz
 D746,709 S 1/2016 Heath et al.
 D751,558 S * 3/2016 Lee D10/103
 D799,297 S 10/2017 Manor
 D807,215 S * 1/2018 Martin D10/104.1
 D834,303 S 11/2018 Paz
 D834,771 S * 11/2018 Theno D30/155
 D877,113 S 3/2020 Jin
 D890,021 S 7/2020 Burke
 D904,386 S * 12/2020 Luo D3/218
 D911,860 S 3/2021 Schoenherr et al.
 D919,890 S * 5/2021 Chung D3/215
 D934,817 S 11/2021 Svård
 D936,365 S 11/2021 Chun
 D936,504 S 11/2021 Dick
 D938,254 S 12/2021 Ormsbee
 D951,912 S 5/2022 Lin
 D954,039 S * 6/2022 Liu D14/253
 D960,017 S 8/2022 Wu
 D960,146 S * 8/2022 Song D14/253
 D962,632 S 9/2022 Liu
 D972,836 S * 12/2022 Liu D10/104.1
 D974,945 S * 1/2023 Deng D10/121
 D976,576 S * 1/2023 Sirichai D3/207

* cited by examiner

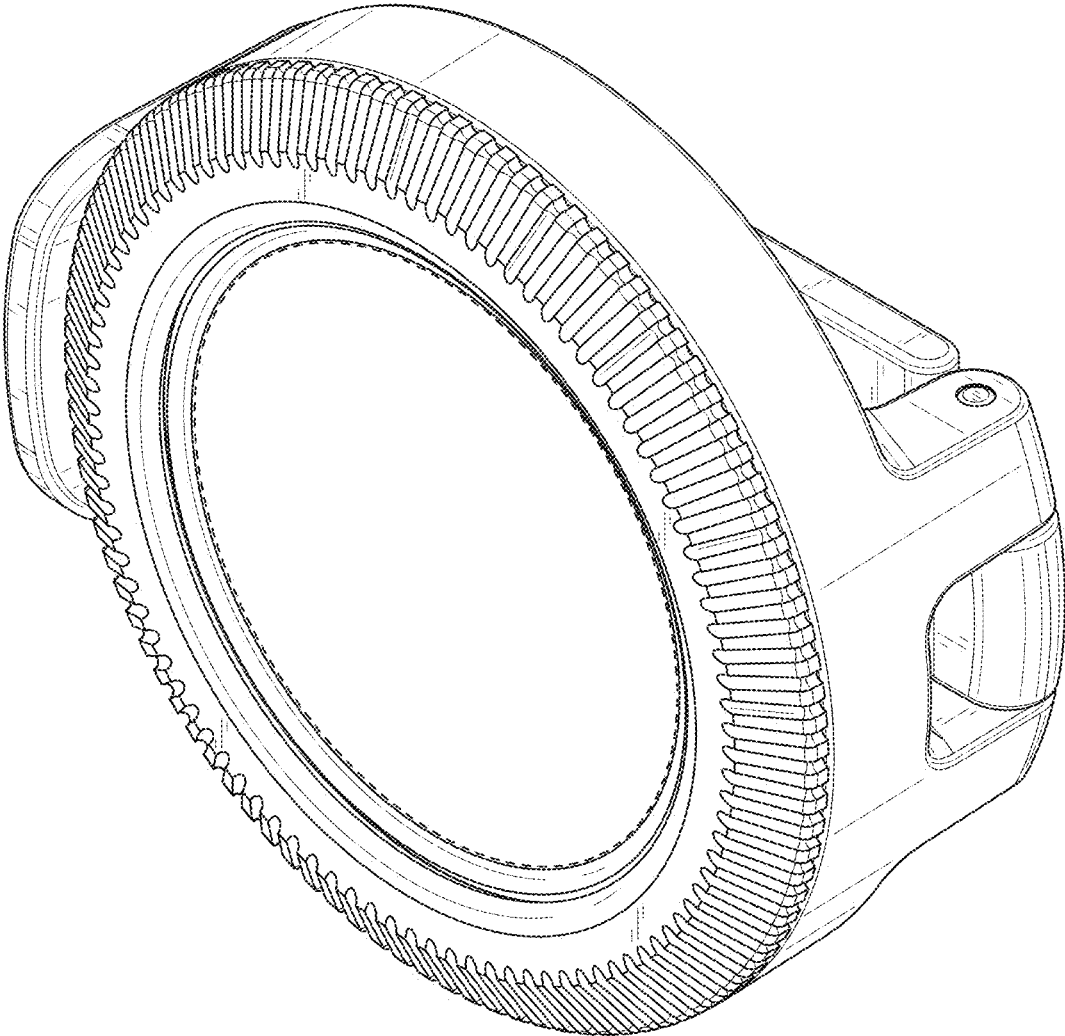


FIG. 1

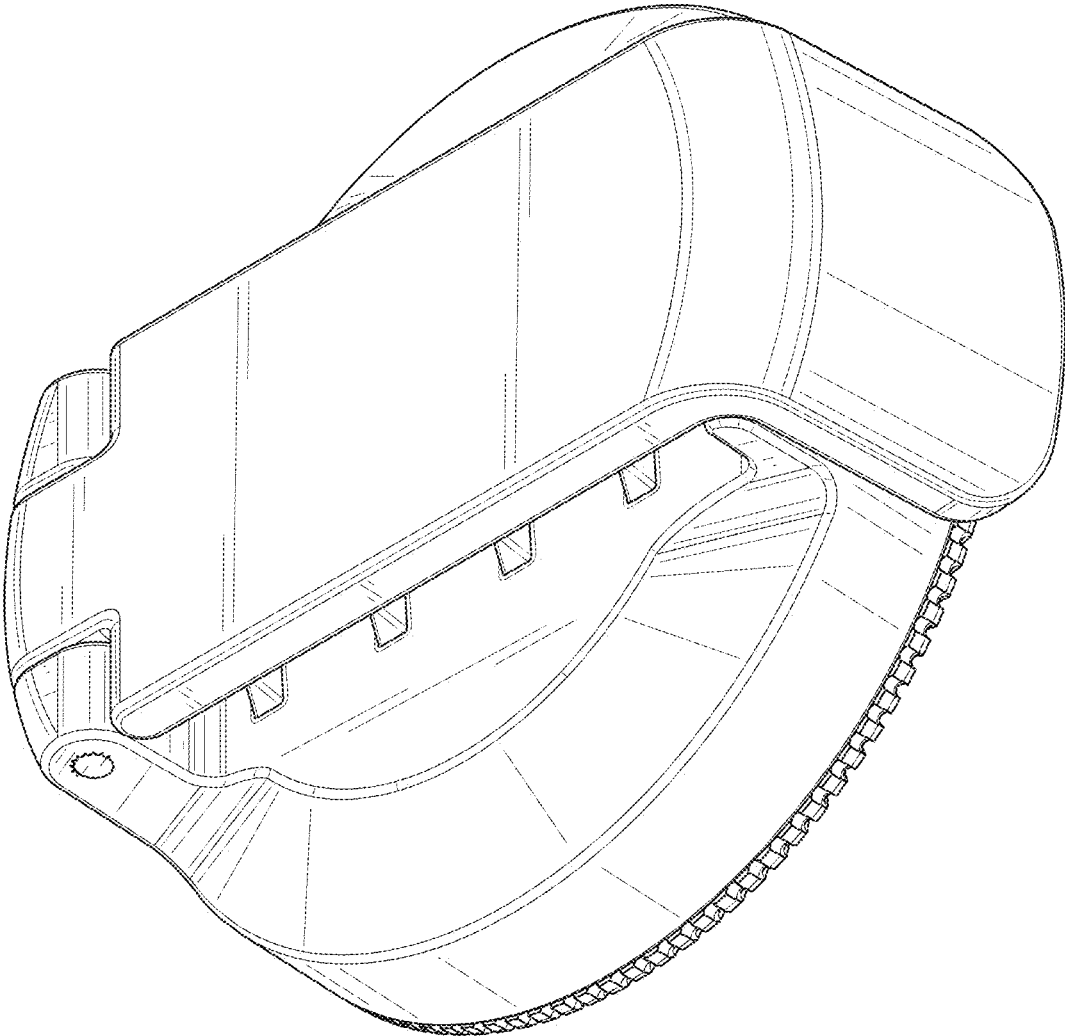


FIG. 2

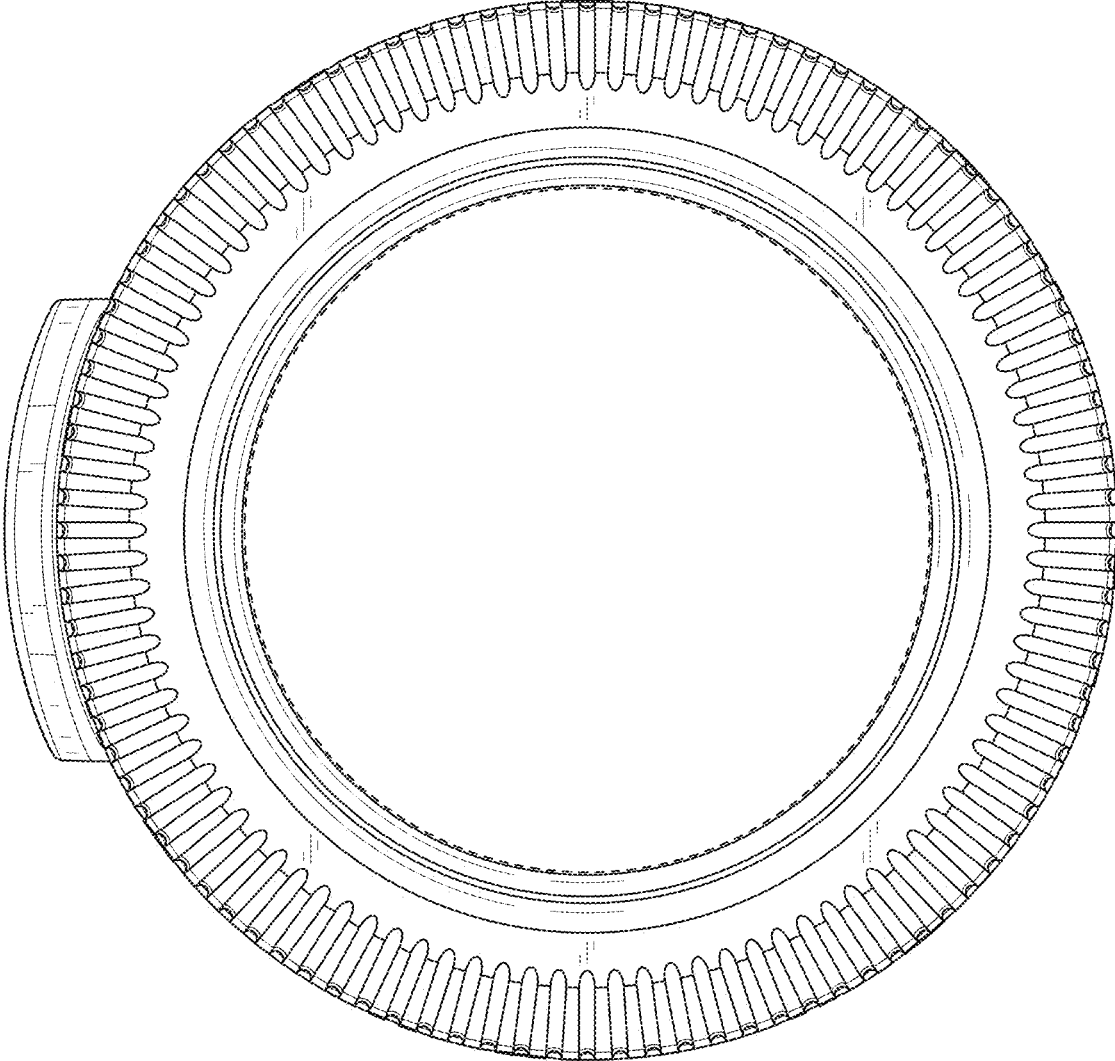


FIG. 3

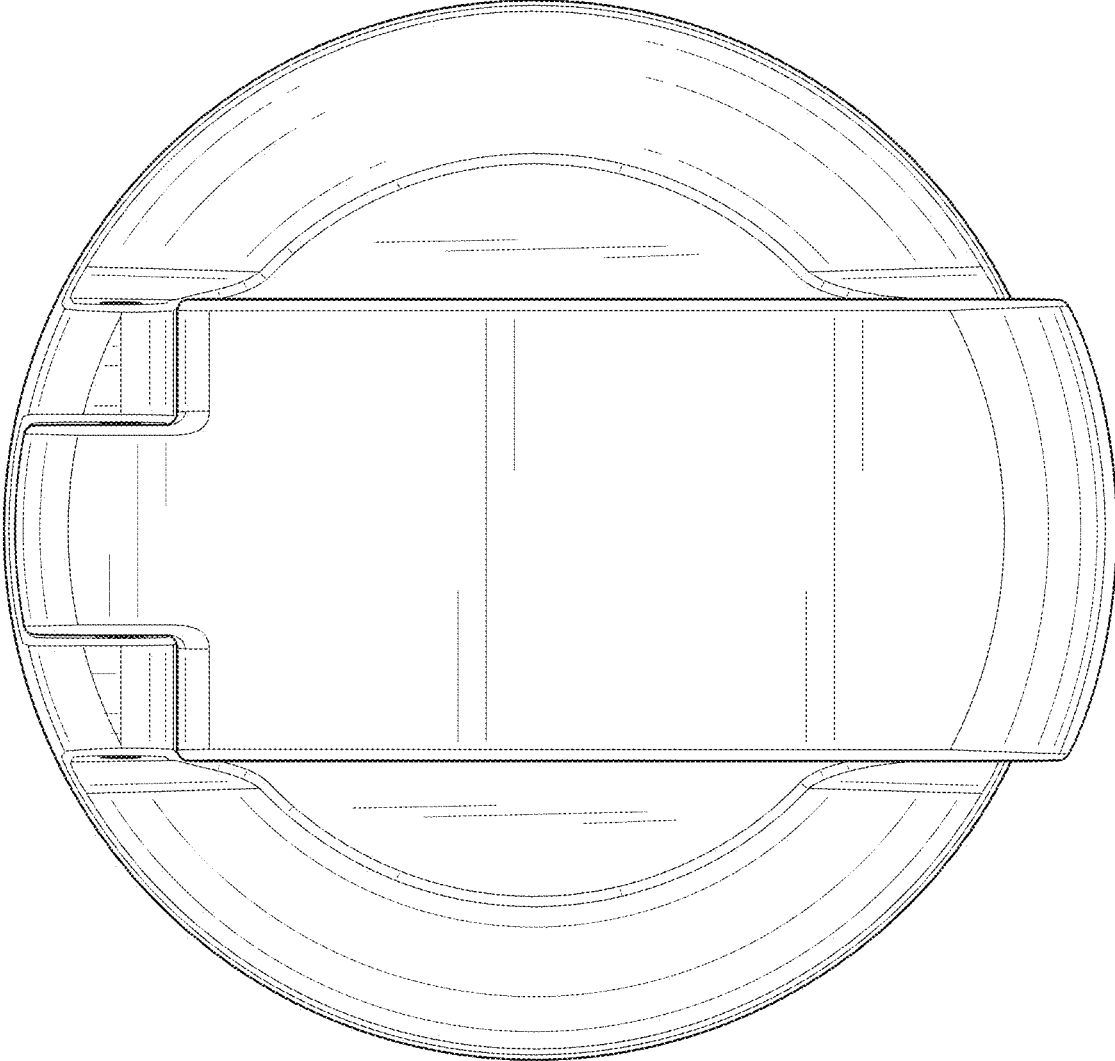


FIG. 4

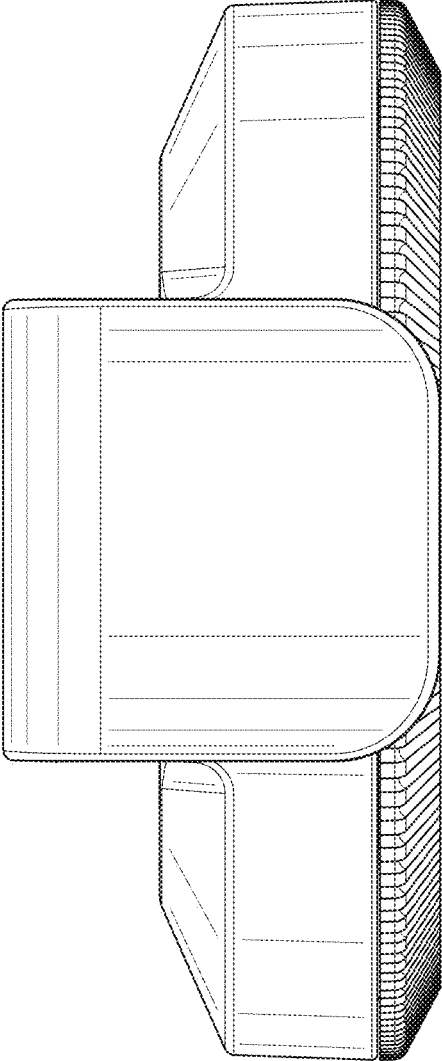


FIG. 5

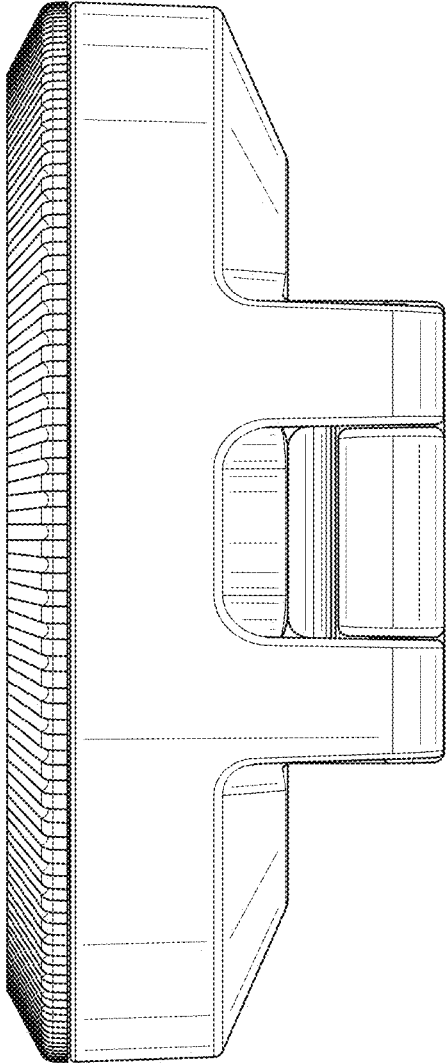


FIG. 6

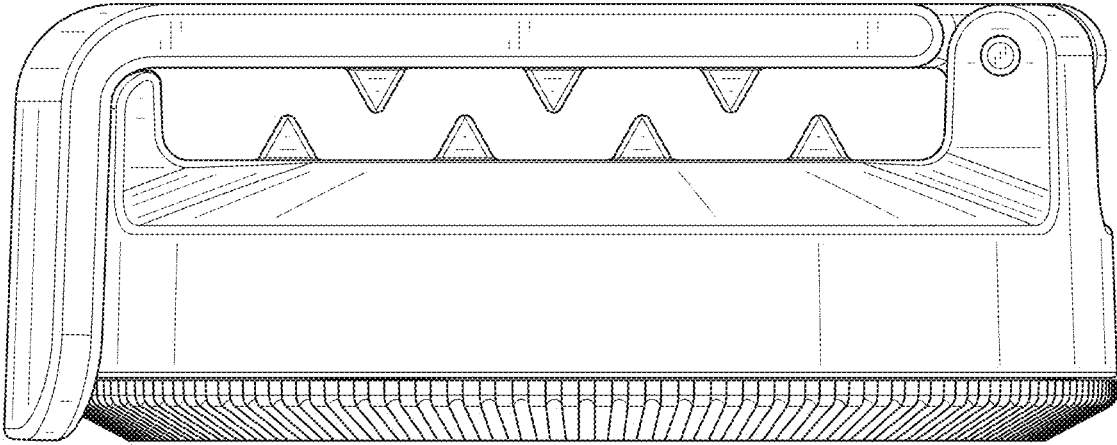


FIG. 7

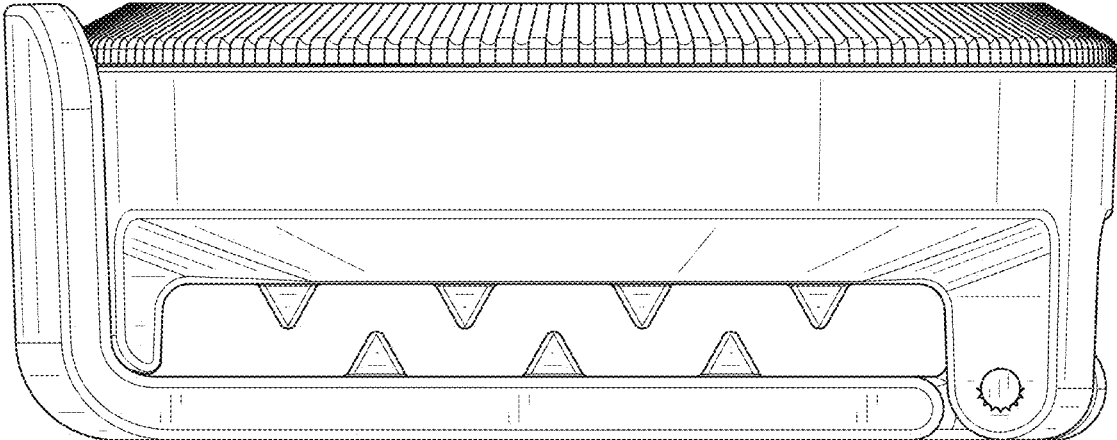


FIG. 8

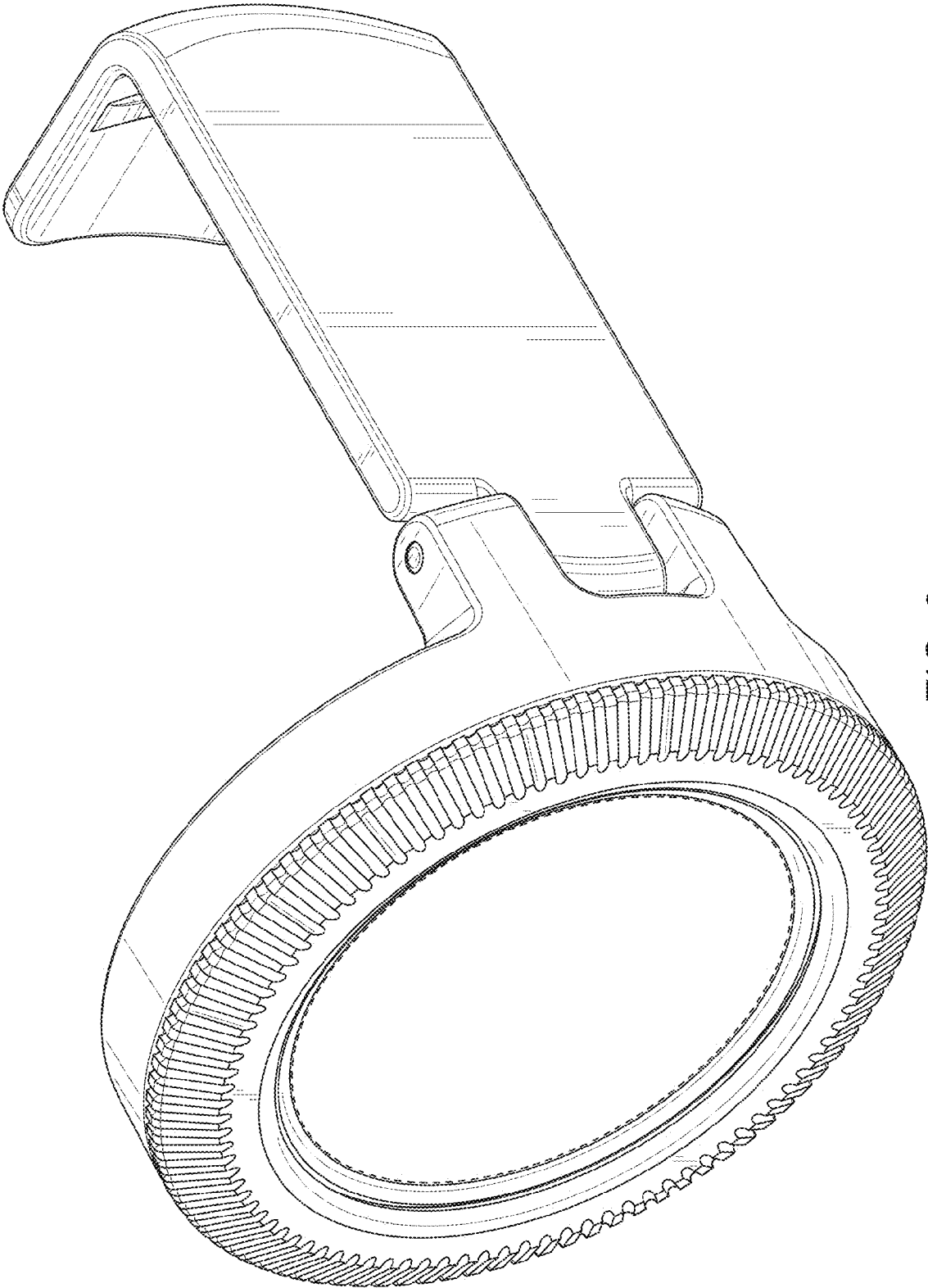


FIG. 9

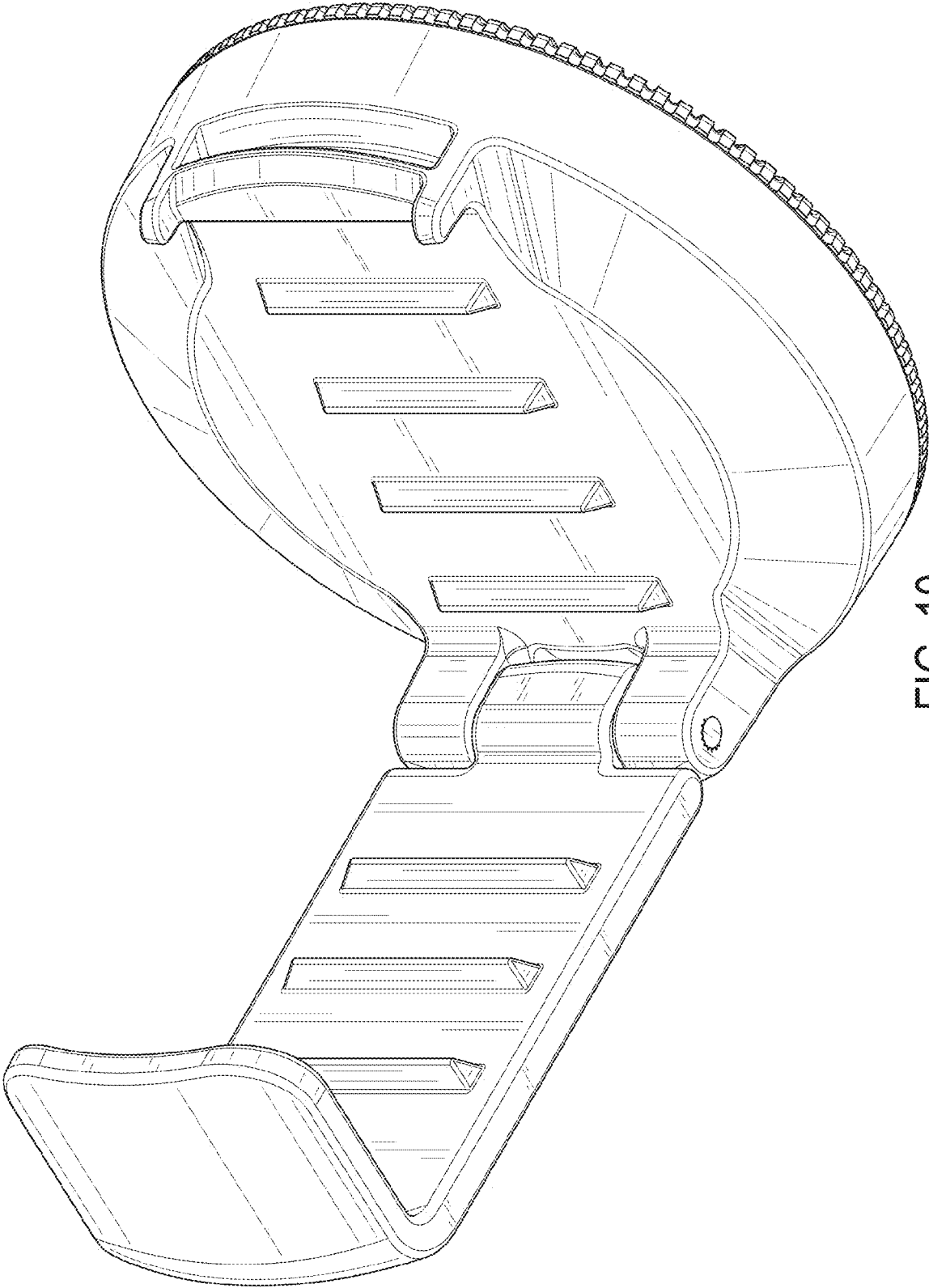


FIG. 10

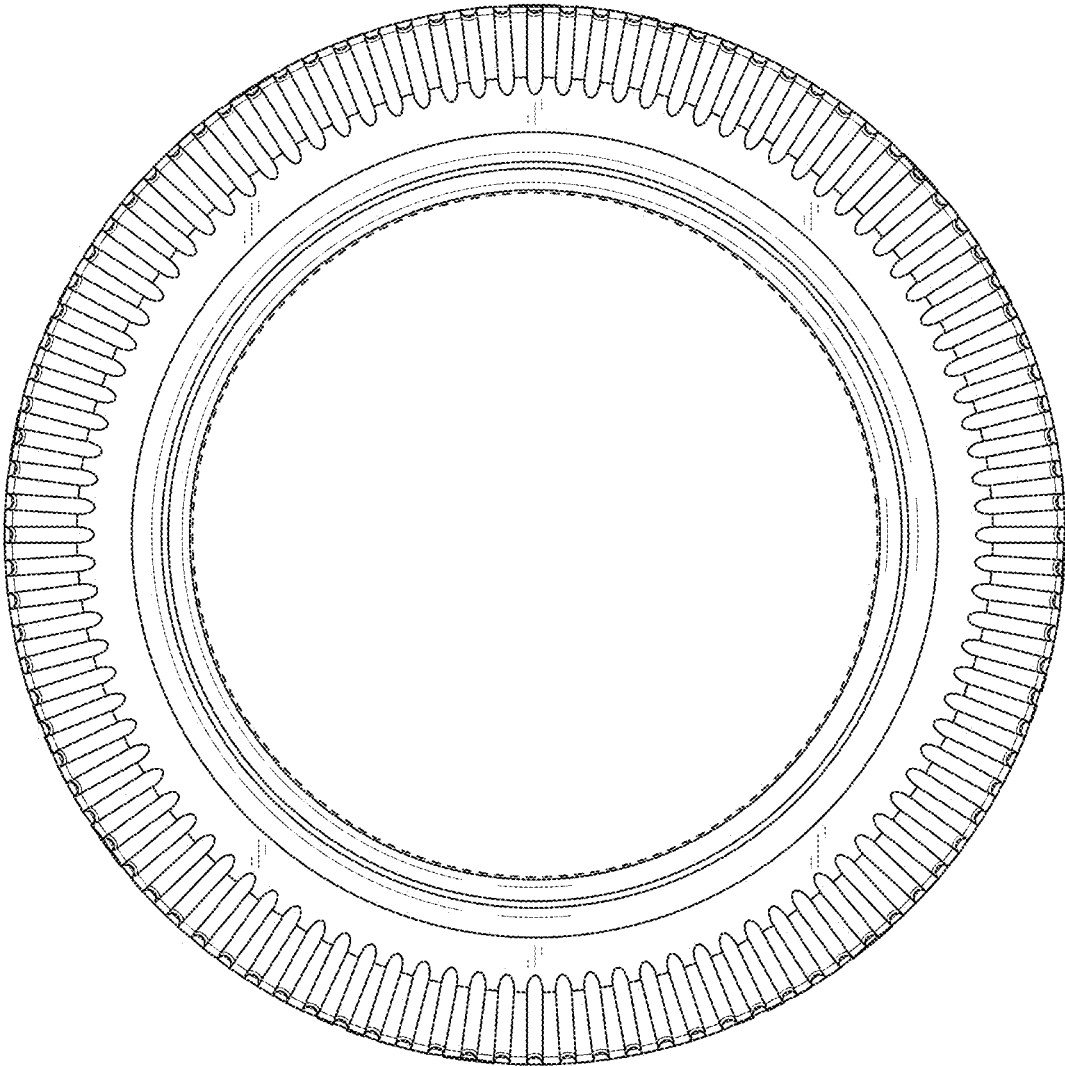


FIG. 11

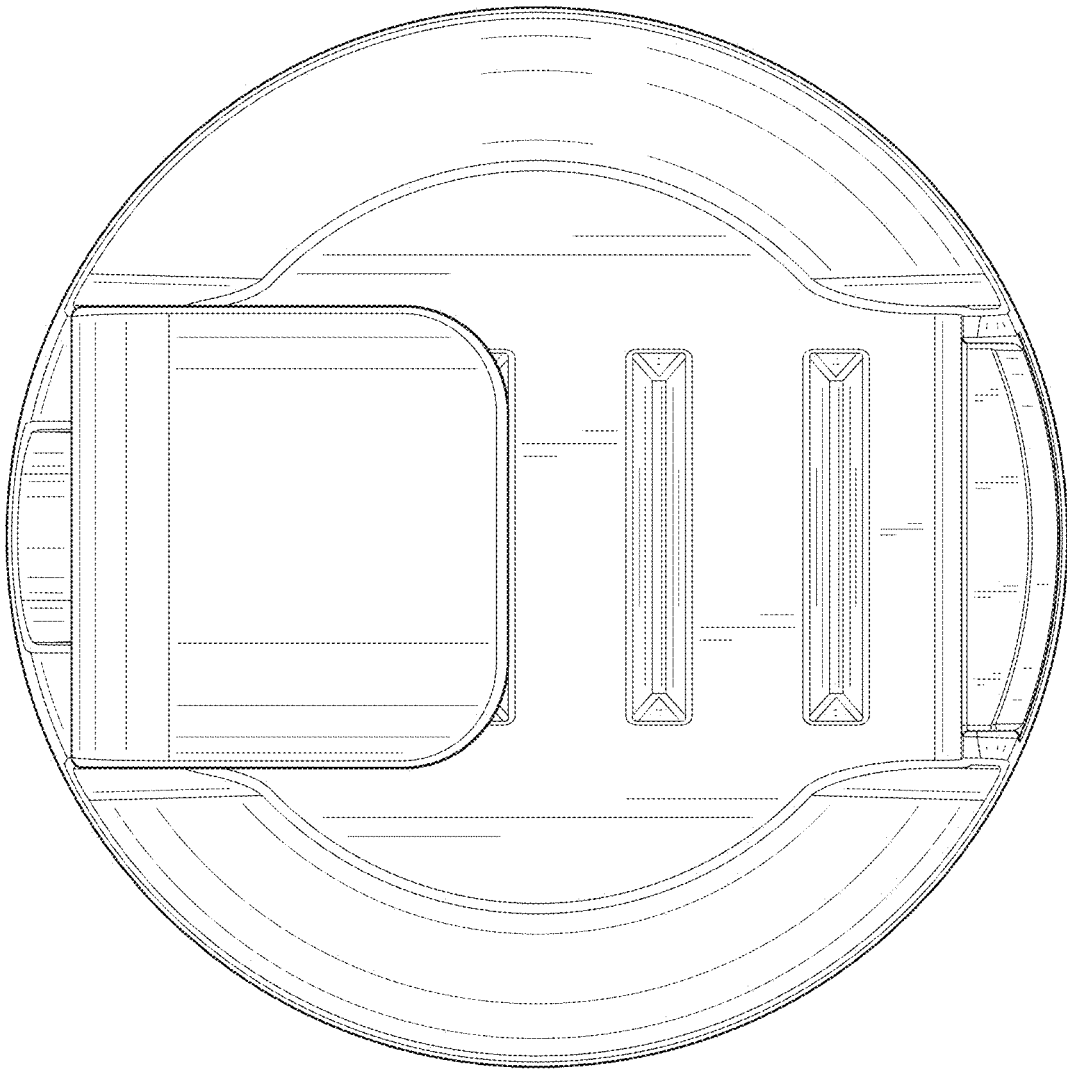


FIG. 12

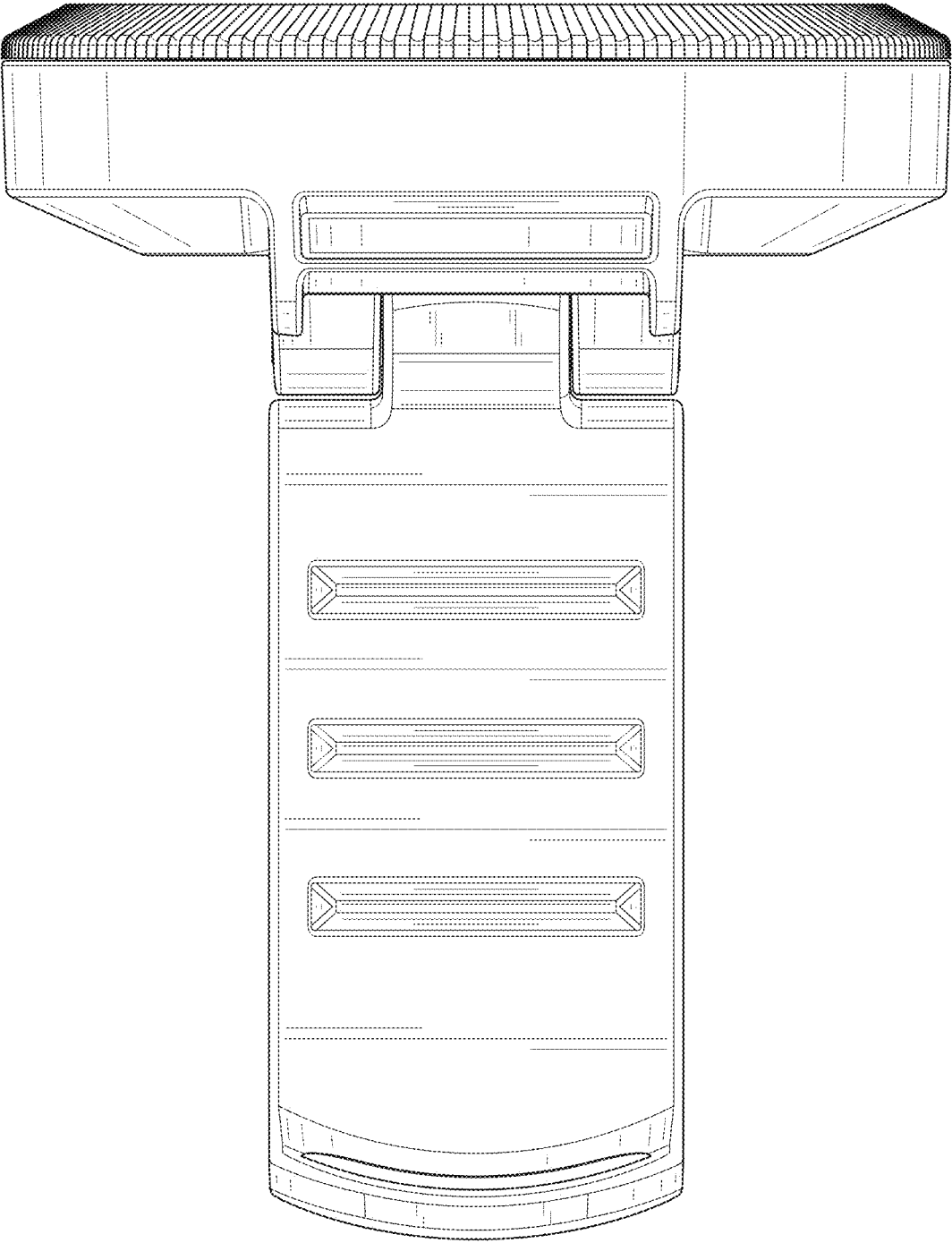


FIG. 13

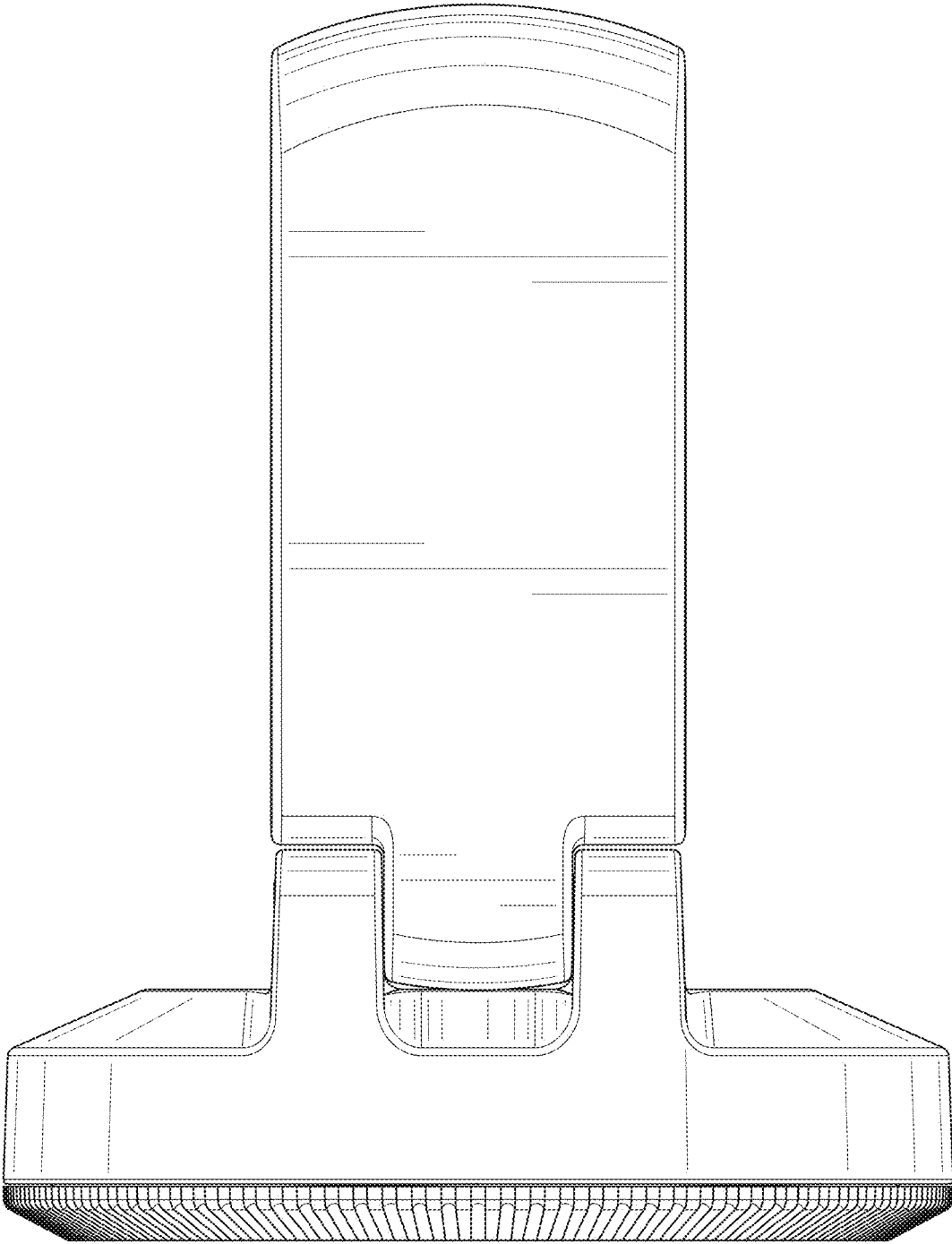


FIG. 14

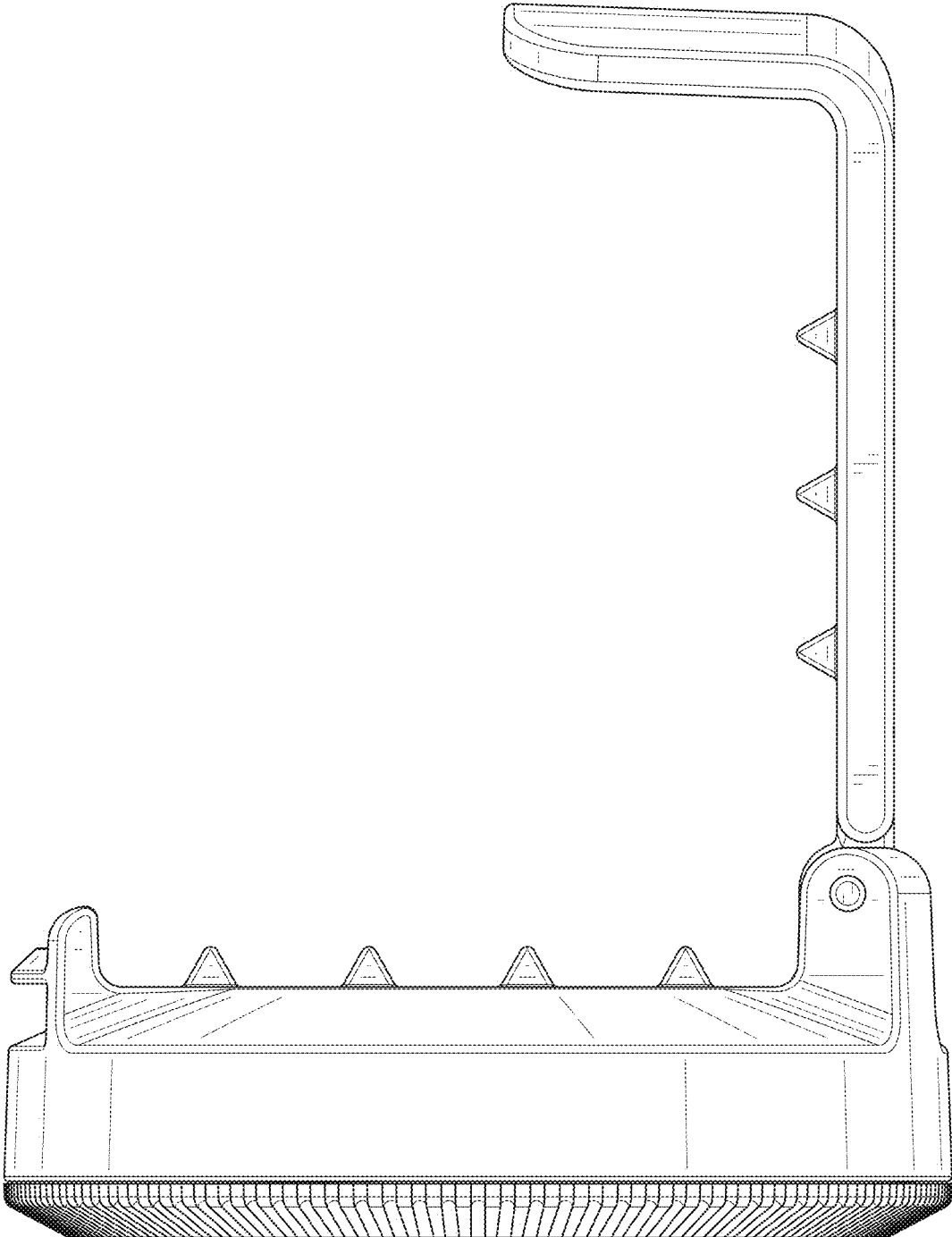


FIG. 15

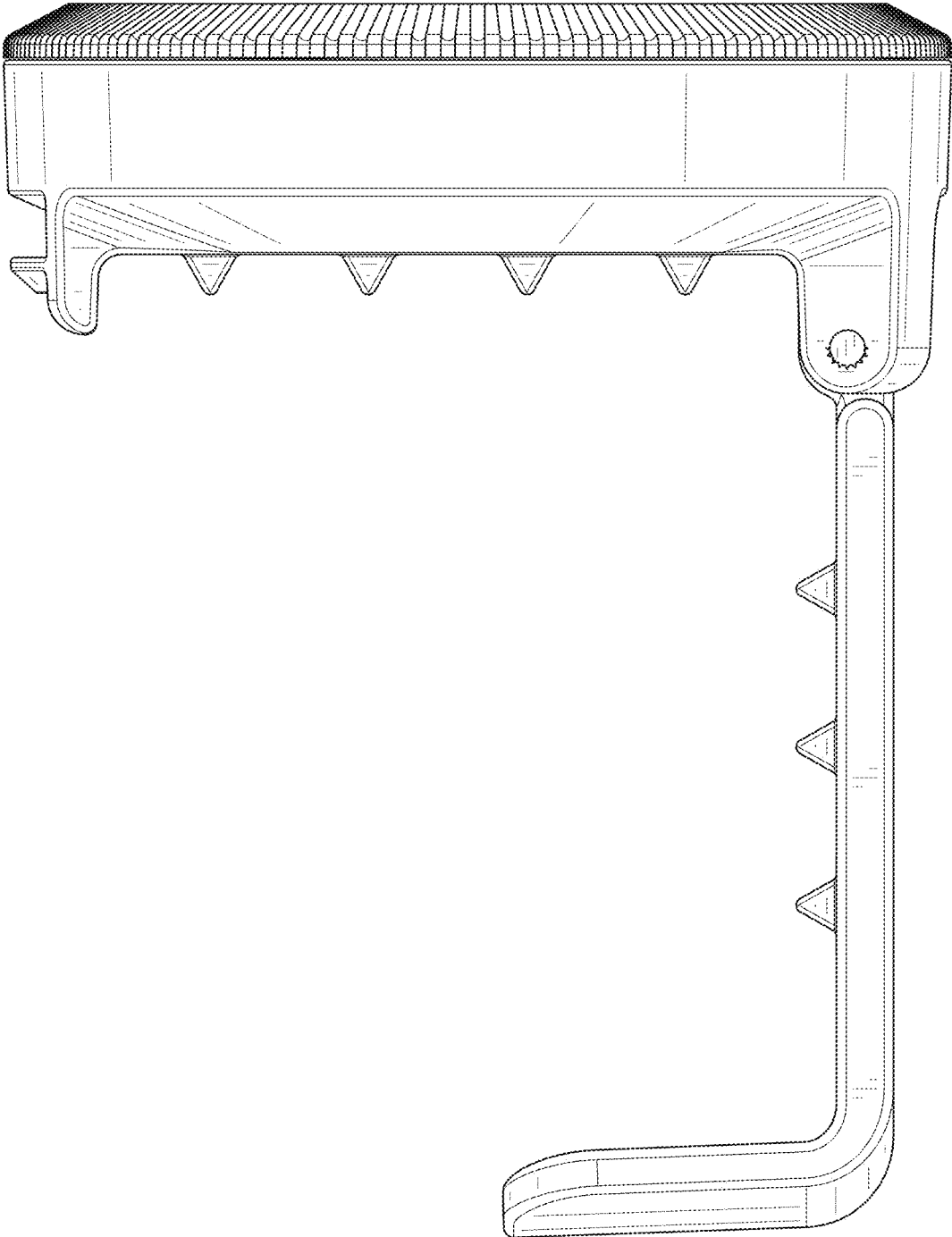


FIG. 16