



US00D747775S

(12) **United States Design Patent**
Colin et al.

(10) **Patent No.:** **US D747,775 S**

(45) **Date of Patent:** **** Jan. 19, 2016**

(54) **QUADCOPTER**

(71) Applicants: **Youenn Colin**, San Francisco, CA (US);
Blaise Bertrand, San Francisco, CA
(US); **Tony Patron**, Mountain View, CA
(US); **Vinh Pho**, Oakland, CA (US)

(72) Inventors: **Youenn Colin**, San Francisco, CA (US);
Blaise Bertrand, San Francisco, CA
(US); **Tony Patron**, Mountain View, CA
(US); **Vinh Pho**, Oakland, CA (US)

(73) Assignee: **FATDOOR, INC.**, Mountain View, CA
(US)

(**) Term: **14 Years**

(21) Appl. No.: **29/487,996**

(22) Filed: **Apr. 15, 2014**

(51) **LOC (10) Cl.** **21-01**

(52) **U.S. Cl.**

USPC **D21/441**; D12/326; D12/16.1

(58) **Field of Classification Search**

USPC D12/16.1, 19, 322, 323, 326, 327, 328,
D12/329, 330, 339, 341, 342, 343, 344;
D21/436, 438, 439, 440, 441, 446, 447,
D21/448, 449, 450, 453

CPC B64C 39/00; B64C 30/00; B64C 29/00;
B64C 5/06

See application file for complete search history.

(56) **References Cited**

U.S. PATENT DOCUMENTS

D189,462 S * 12/1960 Vogt D12/329
3,614,029 A * 10/1971 Eickmann 244/17.23
4,913,377 A * 4/1990 Eickmann 244/17.11
5,082,079 A * 1/1992 Lissaman et al. 180/118
D648,809 S * 11/2011 Seydoux et al. D21/441
D659,771 S * 5/2012 Seydoux et al. D21/441
D708,272 S * 7/2014 Schmelter D21/441
9,004,396 B1 * 4/2015 Colin et al. 244/17.23
2011/0221692 A1 9/2011 Seydoux et al.

2012/0241555 A1* 9/2012 Savoye et al. 244/54
2014/0034776 A1 2/2014 Hutson
2014/0374532 A1* 12/2014 Duffy et al. 244/2
2015/0057844 A1* 2/2015 Callou et al. 701/3
2015/0148988 A1* 5/2015 Fleck 701/2

* cited by examiner

Primary Examiner — Robert M Spear

Assistant Examiner — Marissa J Cash

(74) *Attorney, Agent, or Firm* — Raj Abhyanker, P.C.

(57)

CLAIM

The ornamental design for a quadcopter, as shown and described.

DESCRIPTION

FIG. 1 is an isometric view of a quadcopter in an unfolded configuration of use, the isometric view being from the front, left side, and top;

FIG. 2 is an orthogonal front view of the quadcopter of FIG. 1 in an unfolded configuration;

FIG. 3 is an orthogonal back view of the quadcopter of FIG. 1 in an unfolded configuration;

FIG. 4 is an orthogonal right side view of the quadcopter of FIG. 1 in an unfolded configuration;

FIG. 5 is an orthogonal left side view of the quadcopter of FIG. 1 in an unfolded configuration;

FIG. 6 is an orthogonal top view of the quadcopter of FIG. 1 in an unfolded configuration;

FIG. 7 is an orthogonal bottom view of the quadcopter of FIG. 1 in an unfolded configuration;

FIG. 8 is an isometric view of the quadcopter shown in FIG. 1 in a folded configuration of use, the isometric view being from the front, left side, and top;

FIG. 9 is an orthogonal front view of the quadcopter of FIG. 8 in a folded configuration;

FIG. 10 is an orthogonal back view of the quadcopter of FIG. 8 in the folded configuration;

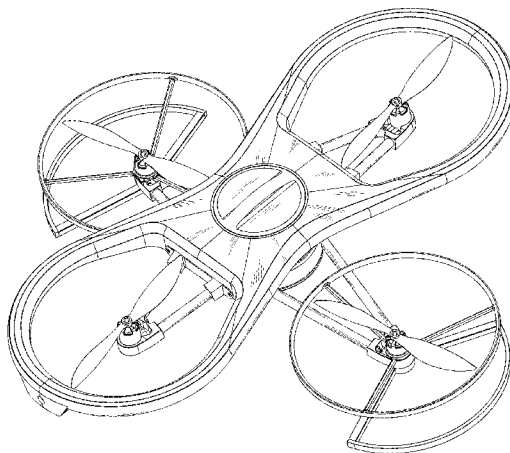
FIG. 11 is an orthogonal right side view of the quadcopter of FIG. 8 in the folded configuration;

FIG. 12 is an orthogonal left side view of the quadcopter of FIG. 8 in the folded configuration;

FIG. 13 is an orthogonal top view of the quadcopter of FIG. 8 in the folded configuration; and,

FIG. 14 is an orthogonal bottom view of the quadcopter of FIG. 8 in the folded configuration.

1 Claim, 14 Drawing Sheets



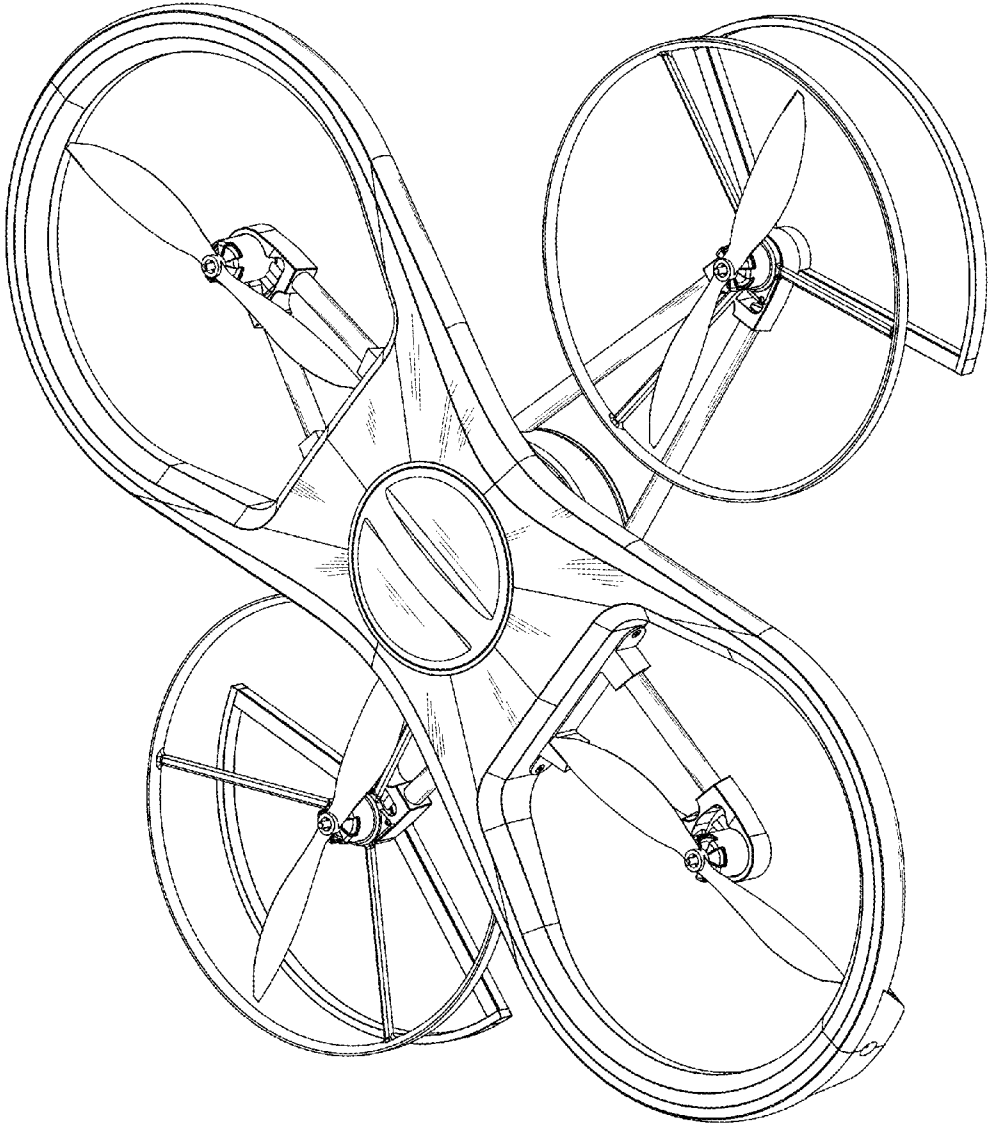


FIGURE 1

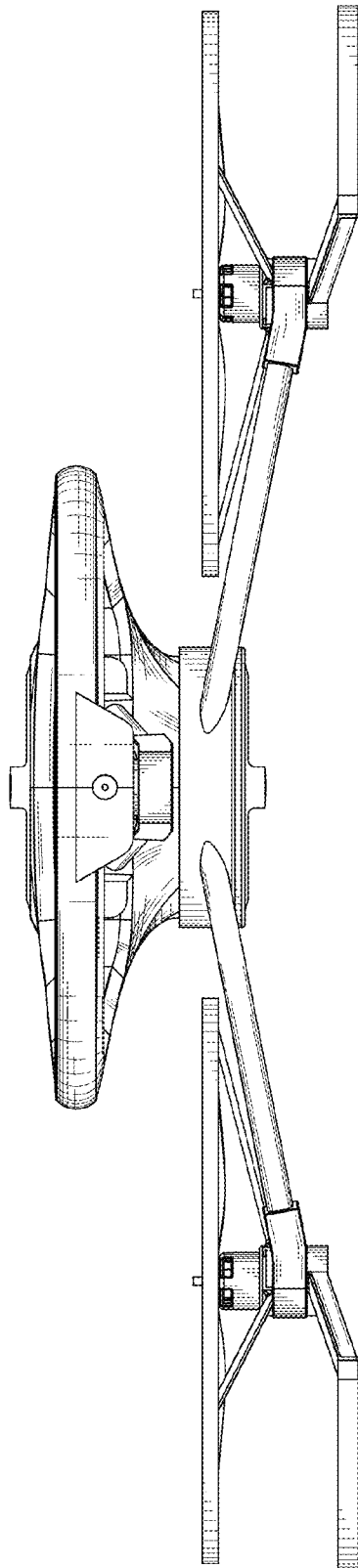


FIGURE 2

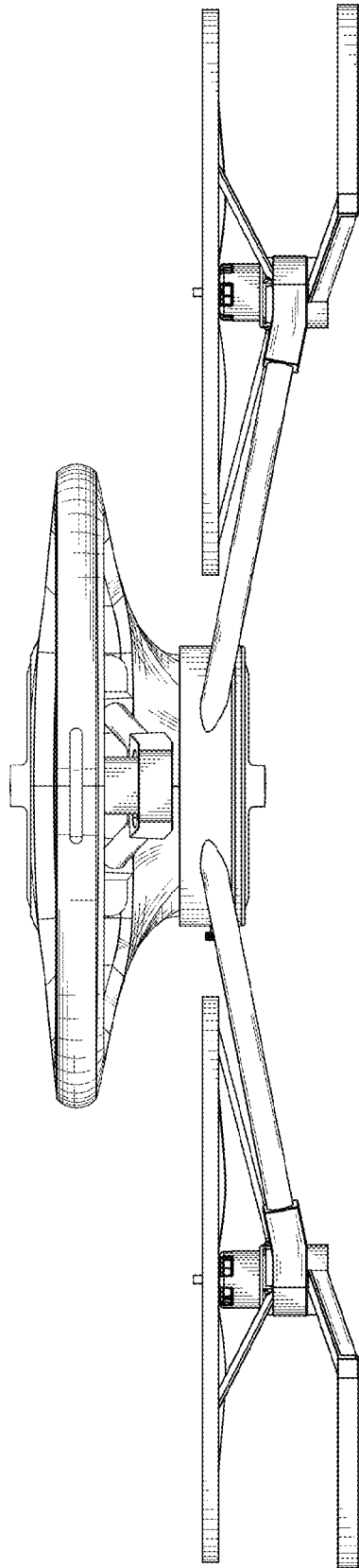


FIGURE 3

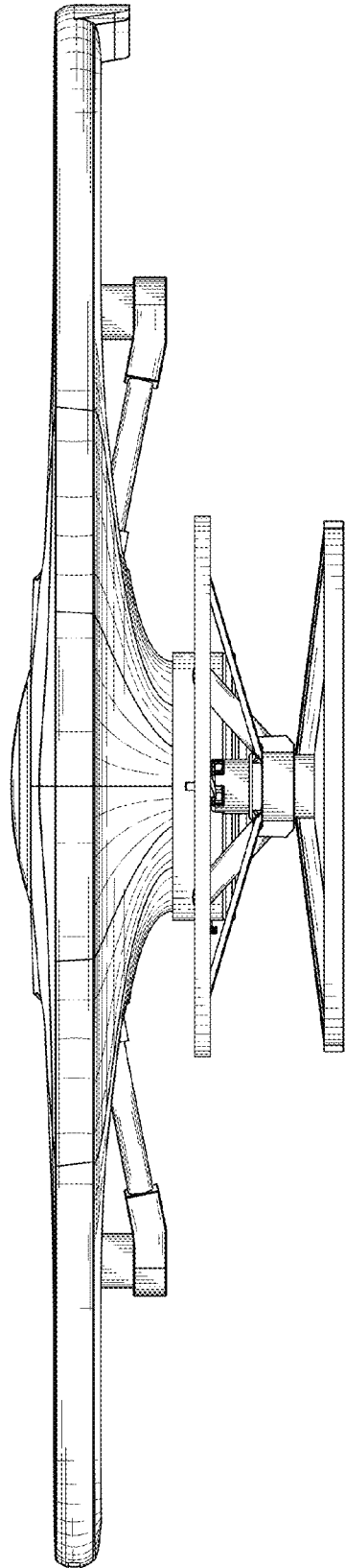


FIGURE 4

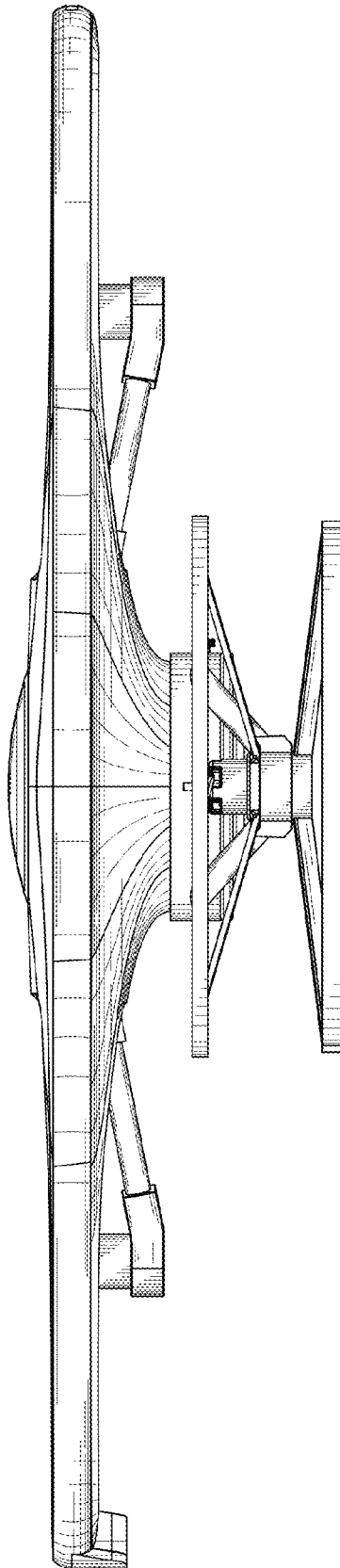


FIGURE 5

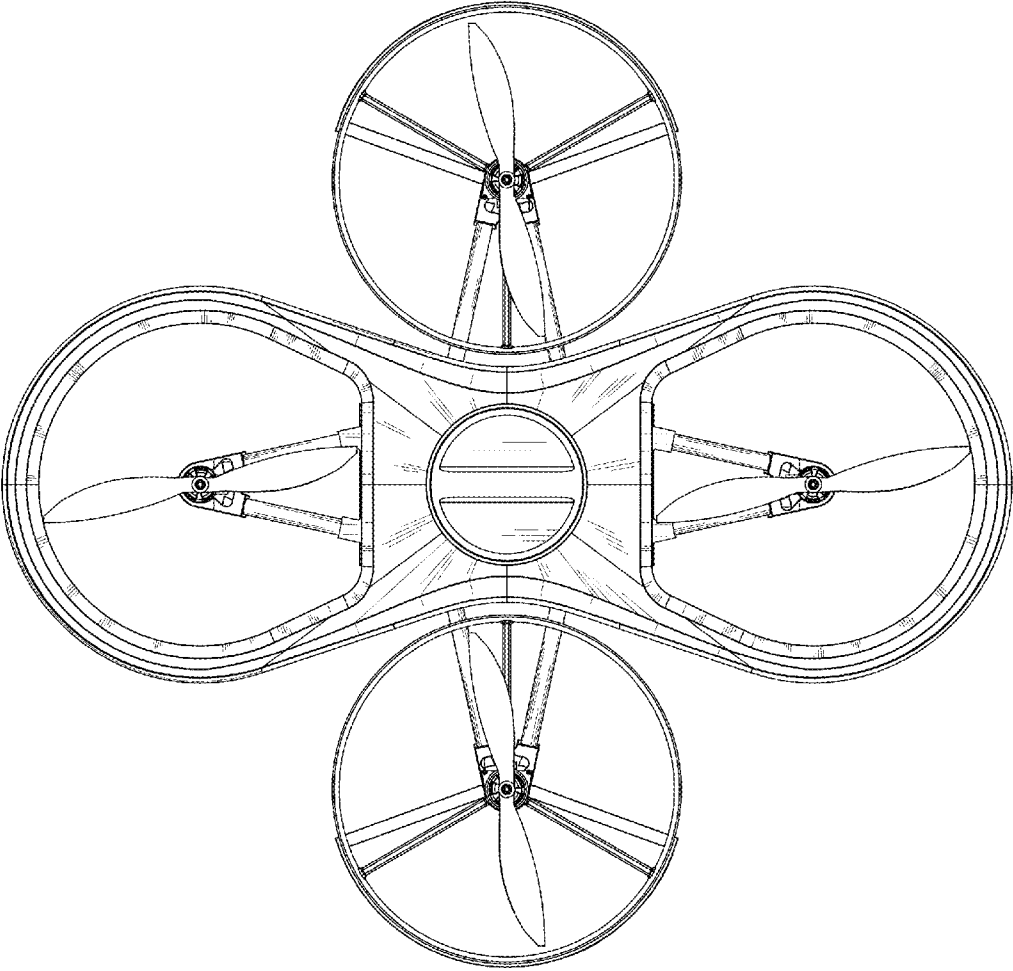


FIGURE 6

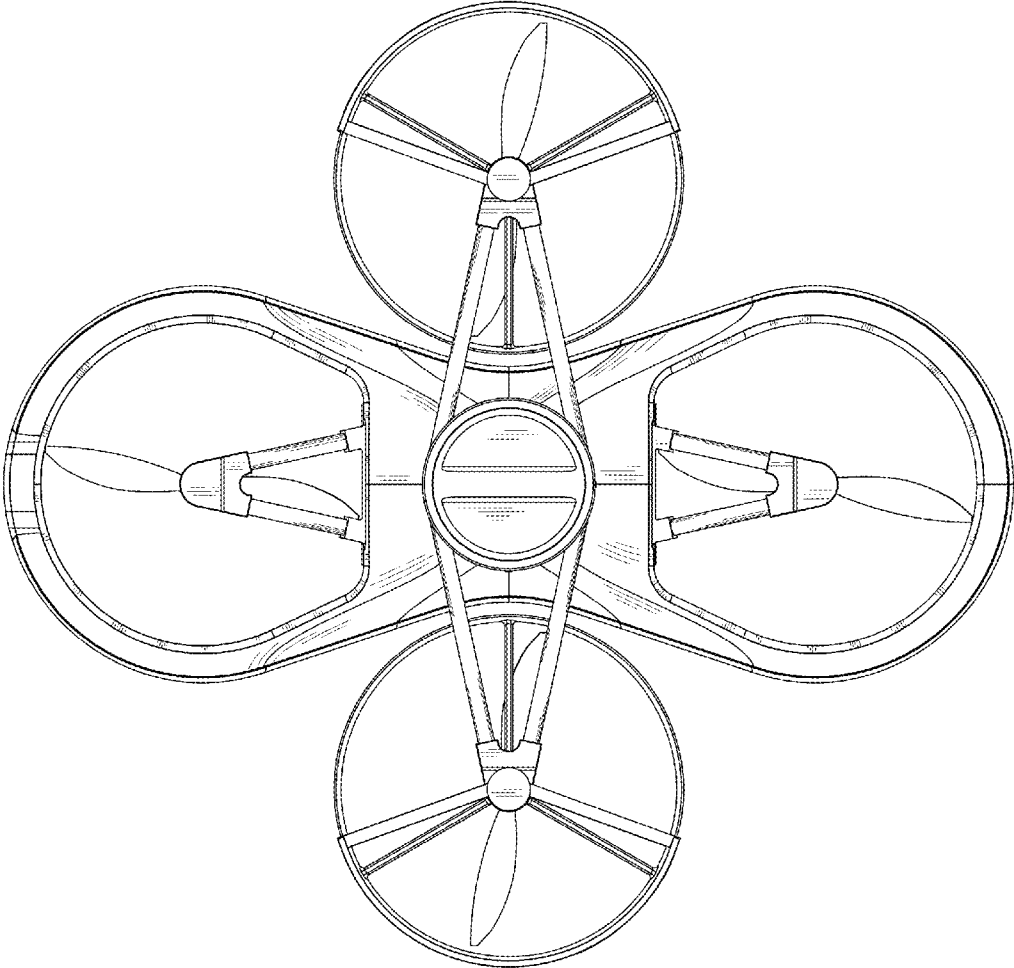


FIGURE 7

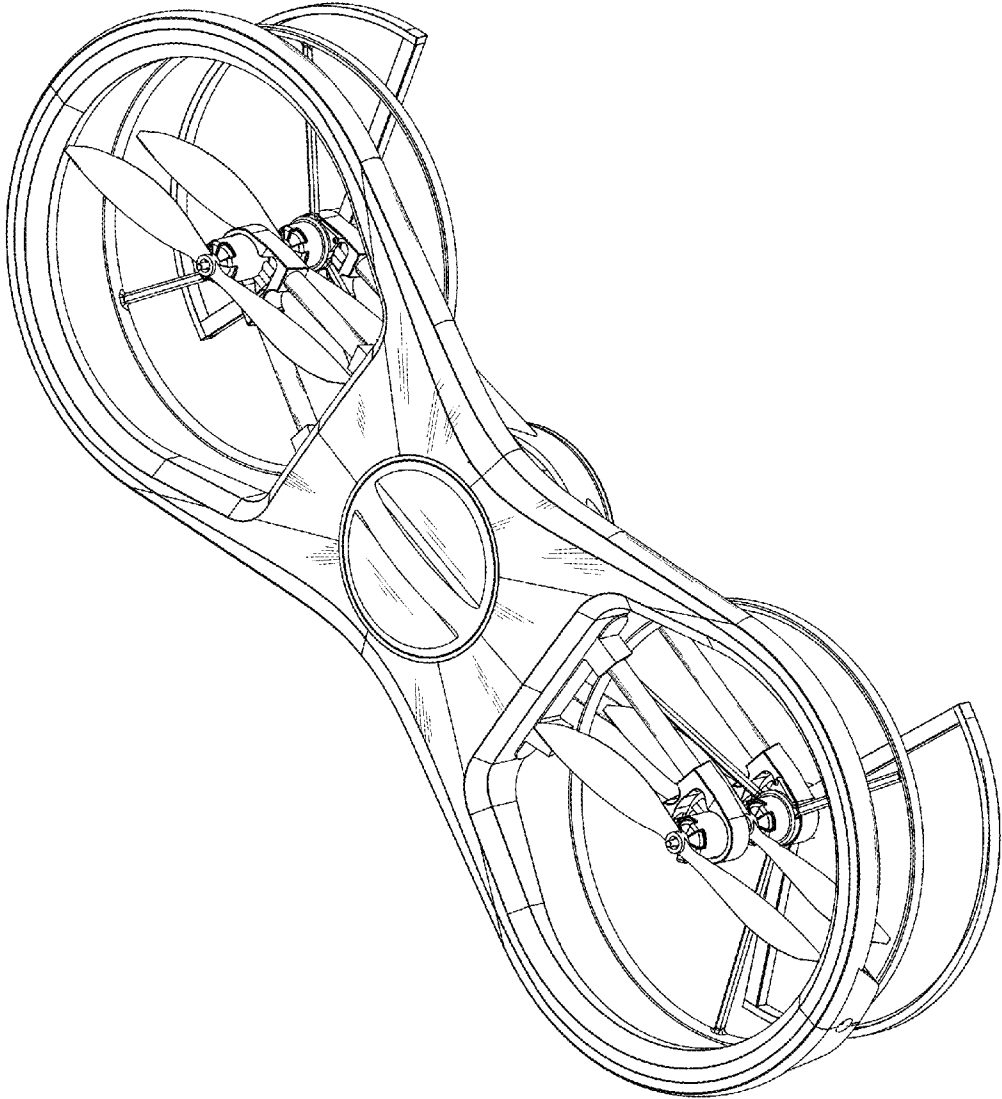


FIGURE 8

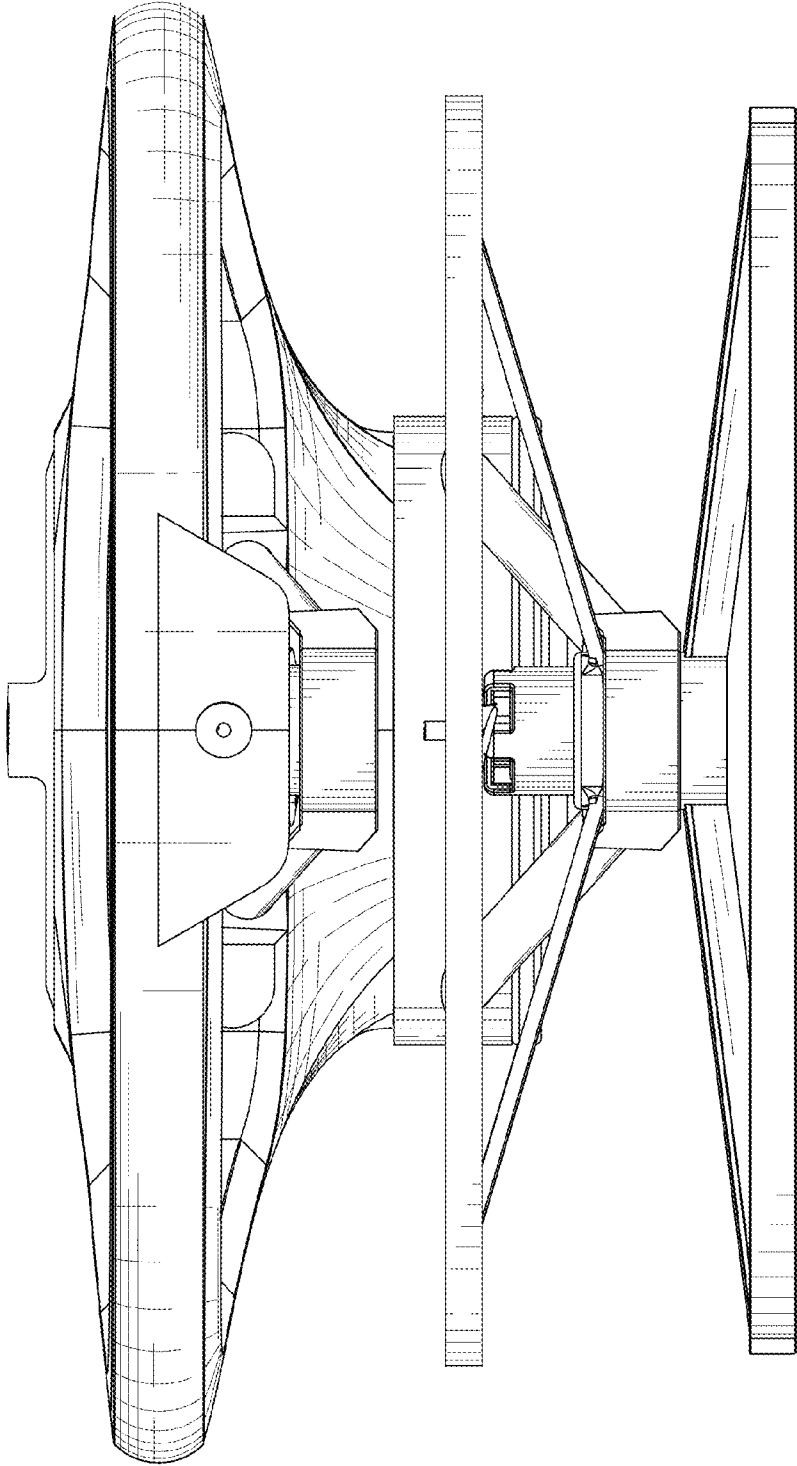


FIGURE 9

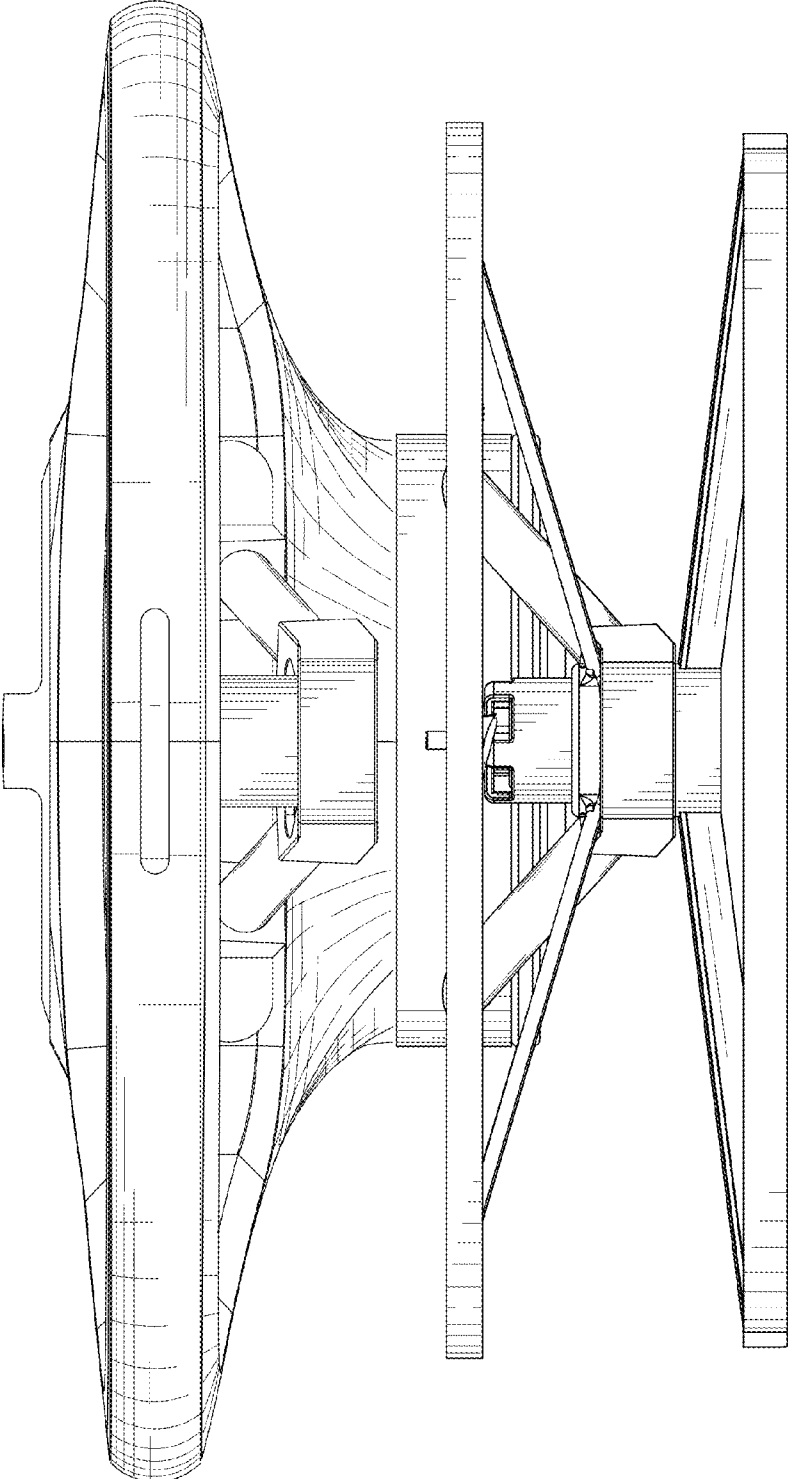


FIGURE 10

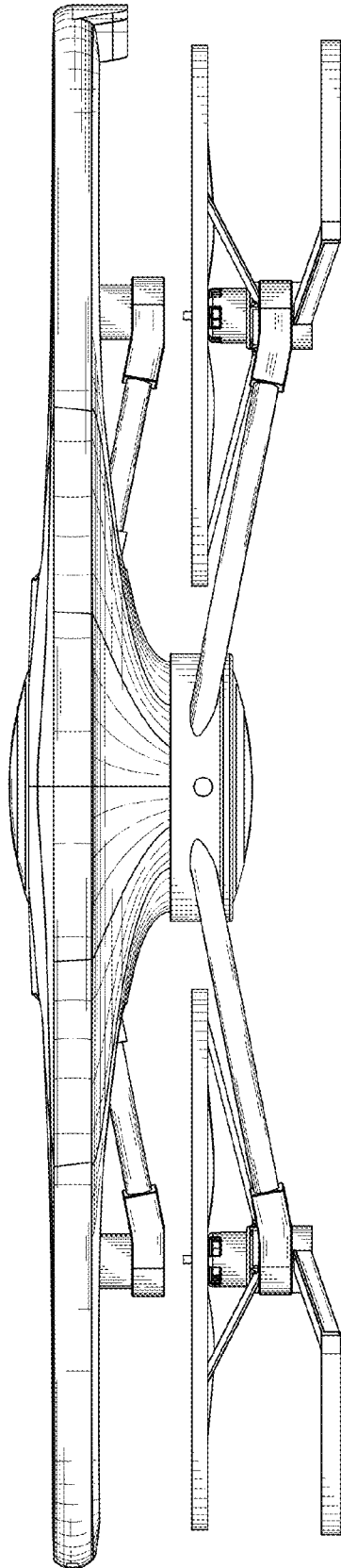


FIGURE 11

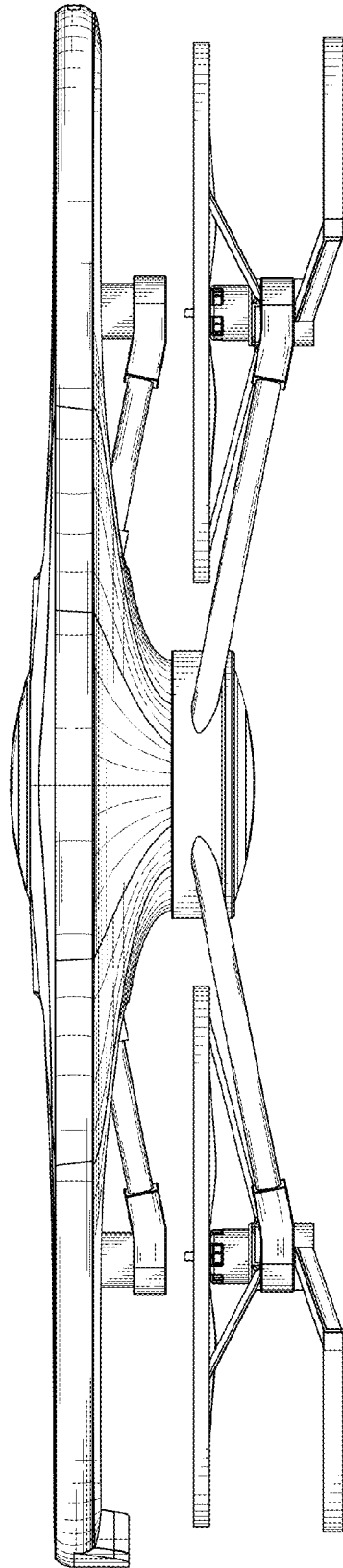


FIGURE 12

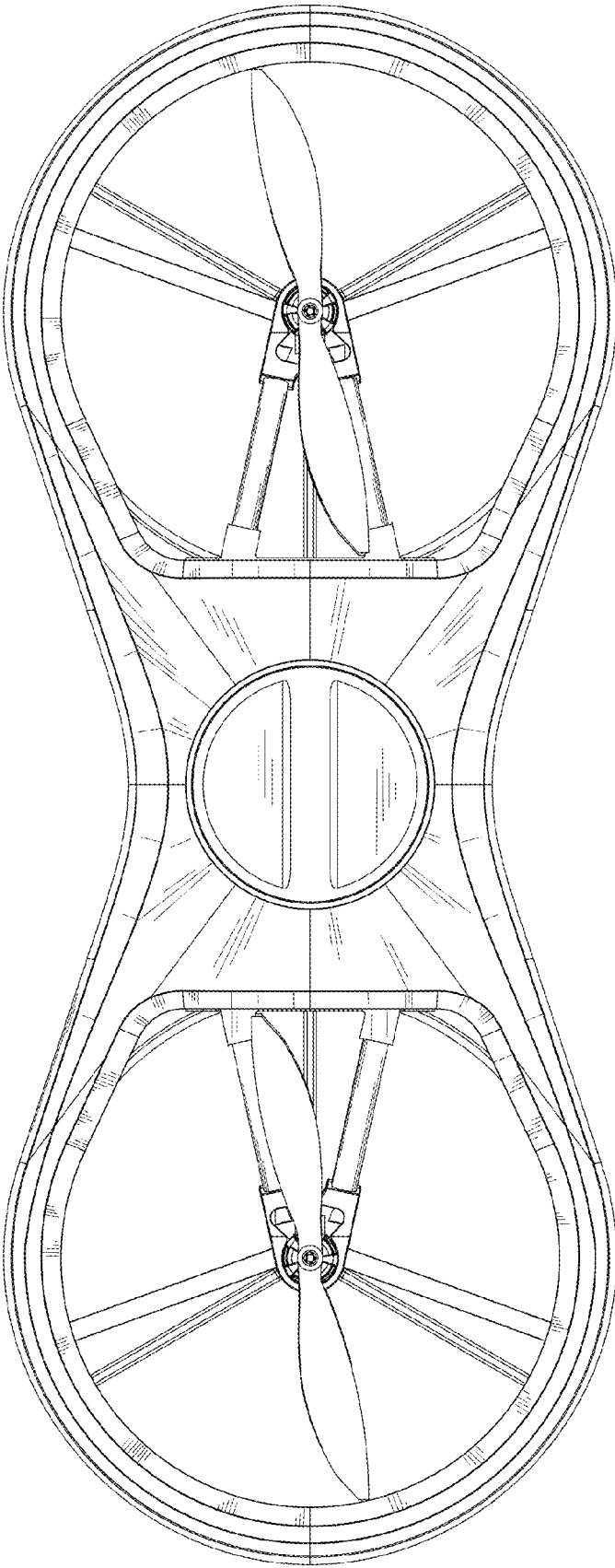


FIGURE 13

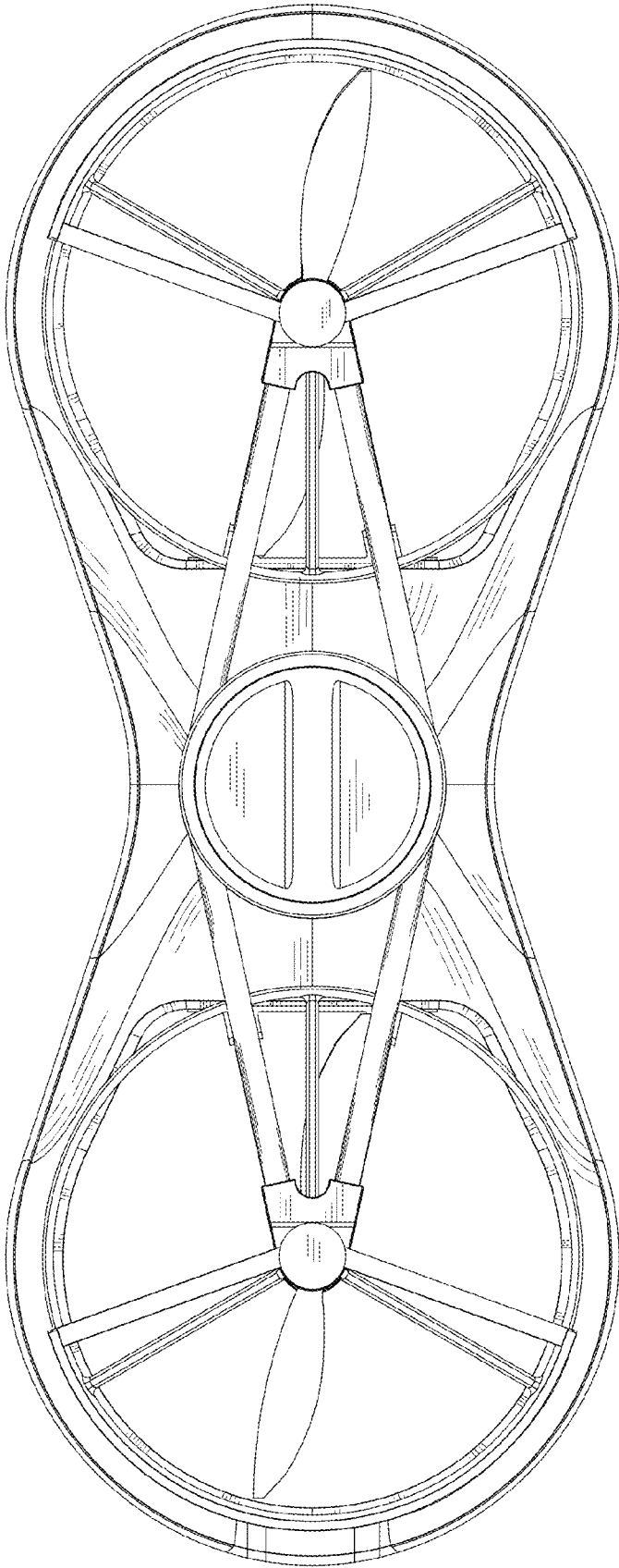


FIGURE 14