

(19) World Intellectual Property Organization  
International Bureau



(43) International Publication Date  
27 December 2007 (27.12.2007)

PCT

(10) International Publication Number  
**WO 2007/149421 A3**

(51) International Patent Classification:  
A61F 2/06 (2006.01)

(21) International Application Number:  
PCT/US2007/014250

(22) International Filing Date: 19 June 2007 (19.06.2007)

(25) Filing Language: English

(26) Publication Language: English

(30) Priority Data:  
60/814,820 19 June 2006 (19.06.2006) US

(71) Applicant (for all designated States except US): **MAYO FOUNDATION FOR MEDICAL EDUCATION AND RESEARCH** [US/US]; 200 First Street SW, Rochester, MN 55905 (US).

(72) Inventor; and

(75) Inventor/Applicant (for US only): **SORAJJA, Paul** [US/US]; 2021 Century Hills Drive Ne, Rochester, MN 55906 (US).

(74) Agent: **RAASCH, Kevin, W.**; Muetting, Raasch & Gebhardt, RA., P.O.Box 581415, Minneapolis, MN 55458-1415 (US).

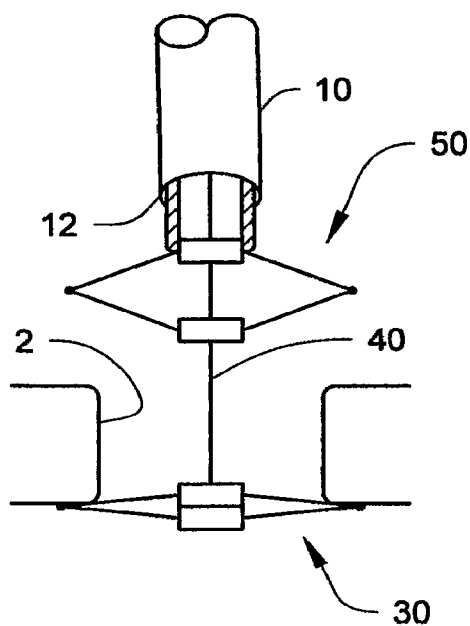
(81) Designated States (unless otherwise indicated, for every kind of national protection available): AE, AG, AL, AM, AT, AU, AZ, BA, BB, BG, BH, BR, BW, BY, BZ, CA, CH, CN, CO, CR, CU, CZ, DE, DK, DM, DO, DZ, EC, EE, EG, ES, FI, GB, GD, GE, GH, GM, GT, HN, HR, HU, ID, IL, IN, IS, JP, KE, KG, KM, KN, KP, KR, KZ, LA, LC, LK, LR, LS, LT, LU, LY, MA, MD, ME, MG, MK, MN, MW, MX, MY, MZ, NA, NG, NI, NO, NZ, OM, PG, PH, PL, PT, RO, RS, RU, SC, SD, SE, SG, SK, SL, SM, SV, SY, TJ, TM, TN, TR, TT, TZ, UA, UG, US, UZ, VC, VN, ZA, ZM, ZW

(84) Designated States (unless otherwise indicated, for every kind of regional protection available): ARIPO (BW, GH, GM, KE, LS, MW, MZ, NA, SD, SL, SZ, TZ, UG, ZM, ZW), Eurasian (AM, AZ, BY, KG, KZ, MD, RU, TJ, TM), European (AT, BE, BG, CH, CY, CZ, DE, DK, EE, ES, FI, FR, GB, GR, HU, IE, IS, IT, LT, LU, LV, MC, MT, NL, PL, PT, RO, SE, SI, SK, TR), OAPI (BF, BJ, CF, CG, CI, CM, GA, GN, GQ, GW, ML, MR, NE, SN, TD, TG).

Published:  
— with international search report

(88) Date of publication of the international search report:  
4 September 2008

(54) Title: APPARATUS AND METHODS FOR PERIVALVULAR LEAK OCCLUSION



(57) Abstract: Apparatus and methods for occluding perivalvular leaks located around the periphery of implanted replacement valves. The apparatus and methods may include both distal and proximal covers adapted for placement over a perivalvular leak, with the covers retained in position by tension between the proximal and distal flanges. The distal and proximal covers may be capable of collapsing into a delivery configuration amenable for delivery to an internal body location through a lumen of a delivery catheter and a deployment configuration in which a flange of the cover extends radially outward such that the flange defines a first major surface facing the opposing cover.

WO 2007/149421 A3

## INTERNATIONAL SEARCH REPORT

International application No.

PCT/US07/ 14250

A. CLASSIFICATION OF SUBJECT MATTER IPC: <b>A61F 2/06( 2006.01)</b>  USPC: 623/2. 1.2. 11 According to International Patent Classification (IPC) or to both national classification and IPC		
B. FIELDS SEARCHED Minimum documentation searched (classification system followed by classification symbols) U.S. : 623/2. 1, 2. 11  Documentation searched other than minimum documentation to the extent that such documents are included in the fields searched  Electronic data base consulted during the international search (name of data base and, where practicable, search terms used)		
C. DOCUMENTS CONSIDERED TO BE RELEVANT		
Category *	Citation of document, with indication, where appropriate, of the relevant passages	Relevant to claim No.
A	US 6,1 10,187 A (Donlon) 29 August 2000 (29.08.2000) column 5-77	1-21
A,E	US 7,33 1,991 B2 (Kheradvar et al.) 19 February 2008 (19.02.2008)	1-21
<input type="checkbox"/> Further documents are listed in the continuation of Box C. <input type="checkbox"/> See patent family annex.		
* Special categories of cited documents:		"T" later document published after the international filing date or priority date and not in conflict with the application but cited to understand the principle or theory underlying the invention
"A" document defining the general state of the art which is not considered to be of particular relevance		"X" document of particular relevance, the claimed invention cannot be considered novel or cannot be considered to involve an inventive step when the document is taken alone
"E" earlier application or patent published on or after the international filing date		"Y" document of particular relevance; the claimed invention cannot be considered to involve an inventive step when the document is combined with one or more other such documents, such combination being obvious to a person skilled in the art
"L" document which may throw doubts on priority claim(s) or which is cited to establish the publication date of another citation or other special reason (as specified)		"&" document member of the same patent family
"O" document referring to an oral disclosure, use, exhibition or other means		
"P" document published prior to the international filing date but later than the priority date claimed		
Date of the actual completion of the international search 12 May 2008 (12.05.2008)	Date of mailing of the international search report <b>20 MAY 2008</b>	
Name and mailing address of the ISA/US Mail Stop PCT, Attn: ISA/US Commissioner for Patents P.O. Box 1450 Alexandria, Virginia 223 13-1450 Facsimile No. (571) 273-3201	Authorized officer Suzette J-J Gherbit <i>A. Hurley for</i> Telephone No. 703-308-0000	