



US00D367347S

# United States Patent [19] Moudrianakis

[11] **Patent Number:** **Des. 367,347**  
[45] **Date of Patent:** **\*\*Feb. 20, 1996**

[54] **BEACH CART**

[76] Inventor: **Fotini Moudrianakis**, 2145 Limewood La., Lancaster, Calif. 93536

[\*\*] Term: **14 Years**

[21] Appl. No.: **37,016**

[22] Filed: **Apr. 3, 1995**

[52] U.S. Cl. .... **D34/17; D34/12**

[58] Field of Search ..... **D34/12-27; 280/30, 280/641, 639, 47.34**

[56] **References Cited**

**U.S. PATENT DOCUMENTS**

D. 288,991	3/1987	Noga	.....	D6/336
D. 296,026	5/1988	Sugarman et al.	.....	D34/25
D. 320,682	10/1991	Braswell	.....	D34/18
4,372,568	2/1983	Campbell	.....	280/656
5,318,312	6/1994	Montemayor	.....	280/30
5,407,218	4/1995	Jackson	.....	280/47.34

**FOREIGN PATENT DOCUMENTS**

8500329 1/1985 WIPO ..... 280/639

*Primary Examiner*—Kay H. Chin  
*Attorney, Agent, or Firm*—James A. Hudak

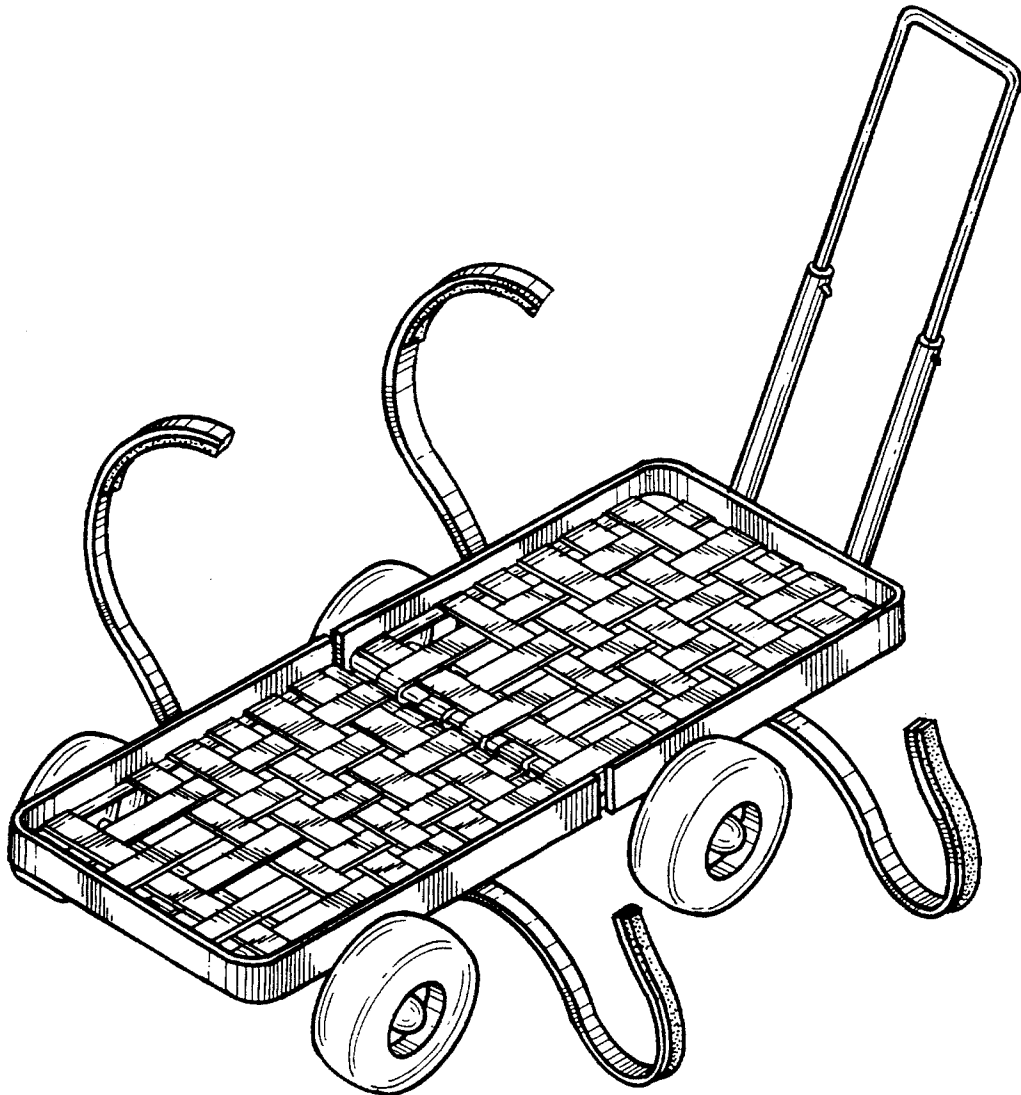
[57] **CLAIM**

The ornamental design for a beach cart, as shown and described.

**DESCRIPTION**

FIG. 1 is a perspective view of the beach cart showing my new design;  
FIG. 2 is a left side elevational view thereof;  
FIG. 3 is a right side elevational view thereof;  
FIG. 4 is a front elevational view thereof, the rear elevational view being a mirror image of the view shown in this Figure;  
FIG. 5 is a top plan view thereof; and,  
FIG. 6 is a bottom plan view thereof.

**1 Claim, 4 Drawing Sheets**



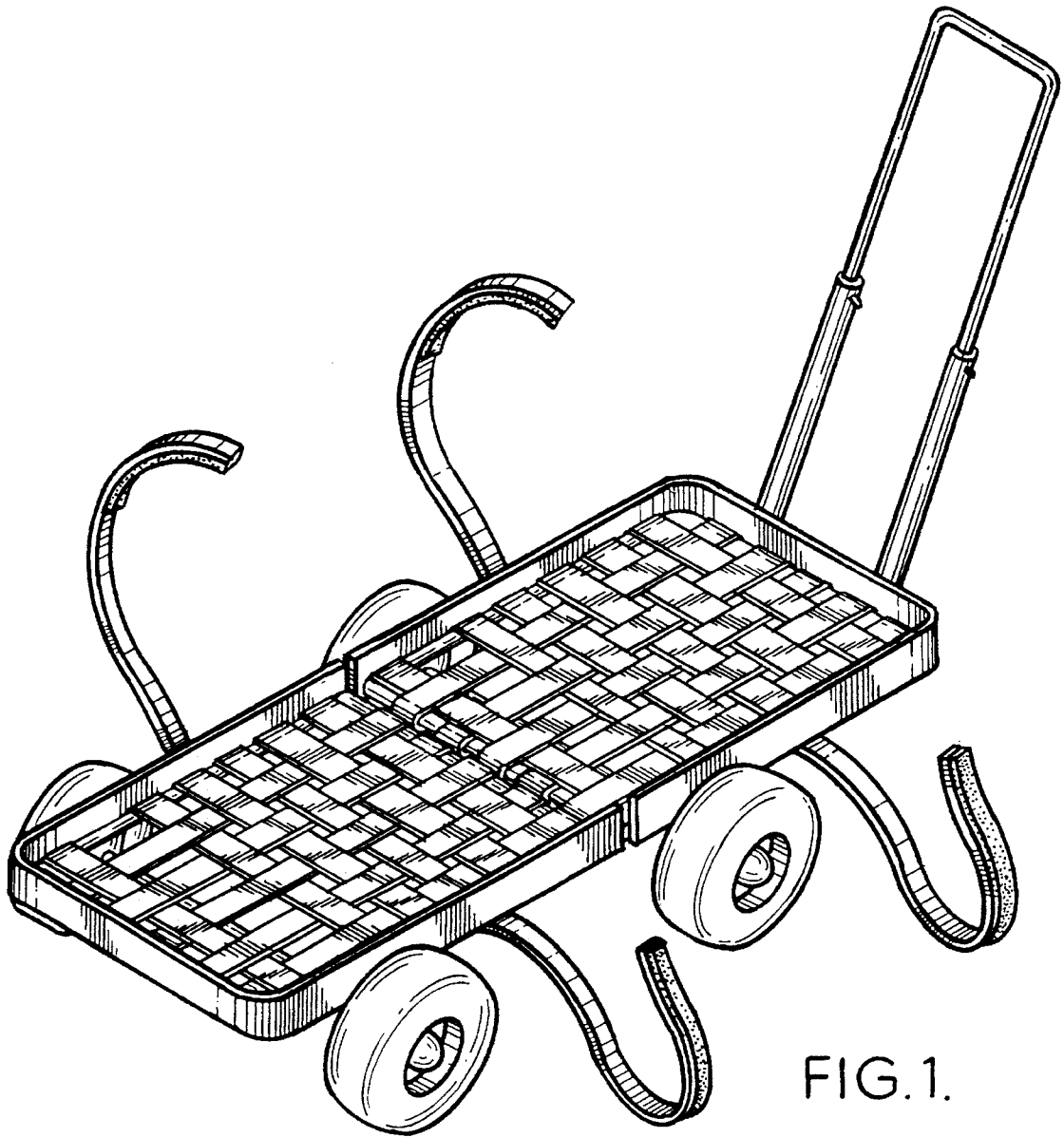


FIG. 1.

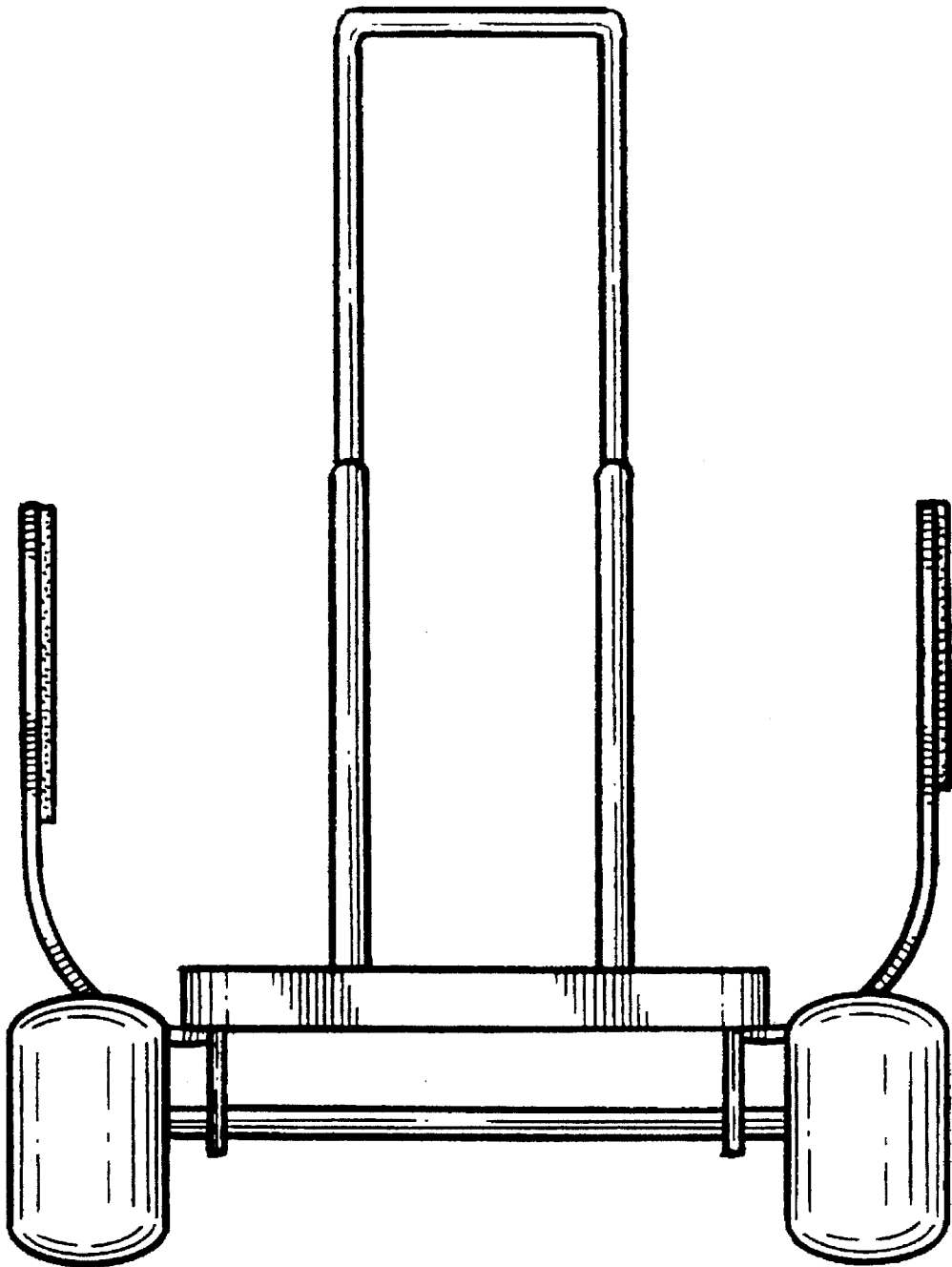


FIG. 2.

FIG. 6.

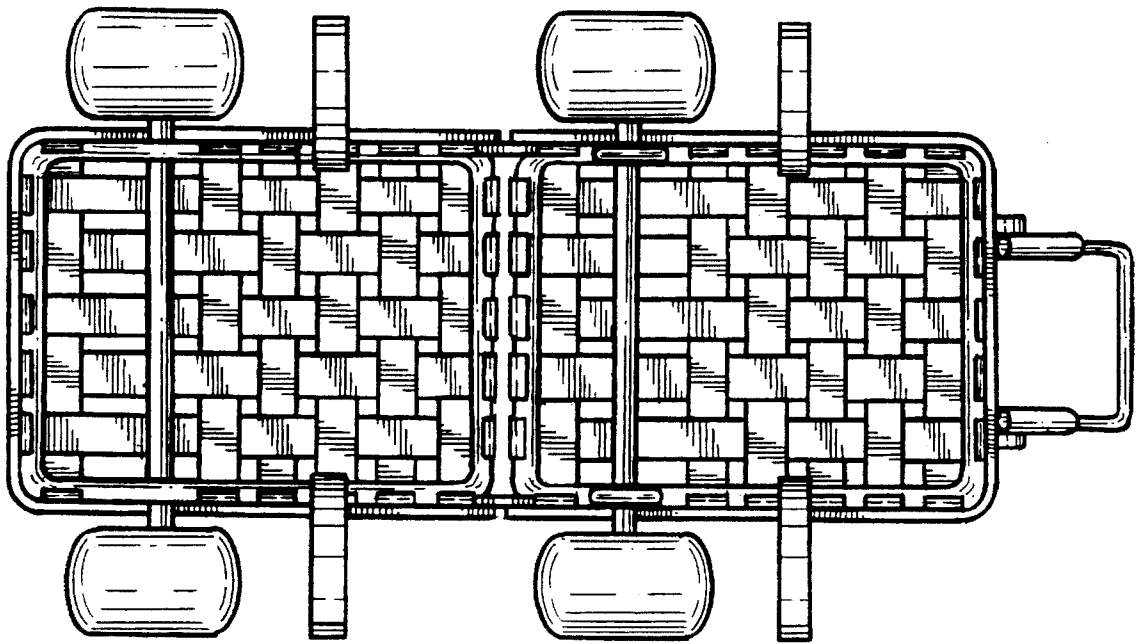


FIG. 3.

