



- (51) **International Patent Classification:**
E21B 21/07 (2006.01) *E21B 43/34* (2006.01)
- (21) **International Application Number:**
PCT/US2014/010488
- (22) **International Filing Date:**
7 January 2014 (07.01.2014)
- (25) **Filing Language:** English
- (26) **Publication Language:** English
- (30) **Priority Data:**
13/735,879 7 January 2013 (07.01.2013) US
- (72) **Inventor; and**
- (71) **Applicant : THOMPSON, Bruce** [US/US]; 2215 Vienna Drive, Granbury, Texas 76048 (US).
- (74) **Agents: HITT GAINES, P.C.** et al.; 2435 N. Central Expwy., Suite 1300, Richardson, Texas 75080 (US).
- (81) **Designated States** (unless otherwise indicated, for every kind of national protection available): AE, AG, AL, AM, AO, AT, AU, AZ, BA, BB, BG, BH, BN, BR, BW, BY, BZ, CA, CH, CL, CN, CO, CR, CU, CZ, DE, DK, DM, DO, DZ, EC, EE, EG, ES, FI, GB, GD, GE, GH, GM, GT, HN, HR, HU, ID, IL, IN, IR, IS, JP, KE, KG, KN, KP, KR,

KZ, LA, LC, LK, LR, LS, LT, LU, LY, MA, MD, ME, MG, MK, MN, MW, MX, MY, MZ, NA, NG, NI, NO, NZ, OM, PA, PE, PG, PH, PL, PT, QA, RO, RS, RU, RW, SA, SC, SD, SE, SG, SK, SL, SM, ST, SV, SY, TH, TJ, TM, TN, TR, TT, TZ, UA, UG, US, UZ, VC, VN, ZA, ZM, ZW.

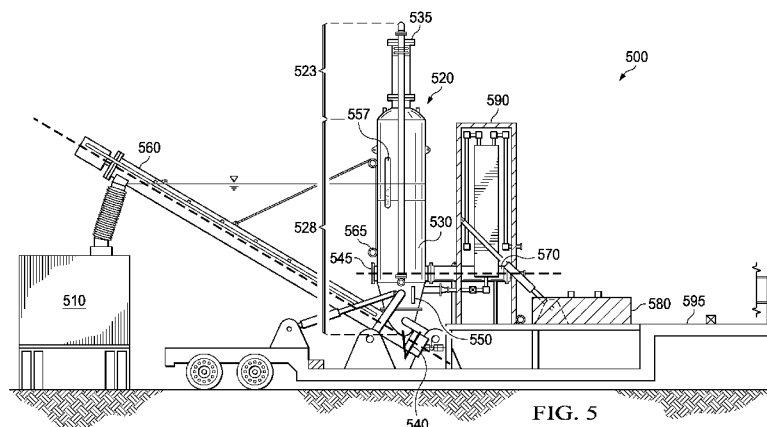
- (84) **Designated States** (unless otherwise indicated, for every kind of regional protection available): ARIPO (BW, GH, GM, KE, LR, LS, MW, MZ, NA, RW, SD, SL, SZ, TZ, UG, ZM, ZW), Eurasian (AM, AZ, BY, KG, KZ, RU, TJ, TM), European (AL, AT, BE, BG, CH, CY, CZ, DE, DK, EE, ES, FI, FR, GB, GR, HR, HU, IE, IS, IT, LT, LU, LV, MC, MK, MT, NL, NO, PL, PT, RO, RS, SE, SI, SK, SM, TR), OAPI (BF, BJ, CF, CG, CI, CM, GA, GN, GQ, GW, KM, ML, MR, NE, SN, TD, TG).

Published:

- with international search report (Art. 21(3))
- before the expiration of the time limit for amending the claims and to be republished in the event of receipt of amendments (Rule 48.2(h))

- (88) **Date of publication of the international search report:**
24 December 2014

(54) **Title:** BACKFLOW COLLECTION SYSTEM AND METHOD FOR RECLAIMING SAID BACKFLOW



(57) **Abstract:** The present disclosure provides a backflow collection system 500 and a method for reclaiming backflow from a wellbore. The backflow collection system, in one embodiment, includes a collection vessel 520 having an upper section 523 and a lower section 528, the collection vessel having a side opening 530 configured to receive backflow from an oil/gas well, as well as a discharge port 535 proximate an upper end of the upper section configured to discharge pressurized gas from the collection vessel. The backflow collection system, in this embodiment, further includes an auger 560 coupled proximate the lower section of the collection vessel, the auger configured to receive solid and liquid matter from a bottom opening in the lower section of the collection vessel, and when elevated remove at least a portion of the solid and liquid matter from the collection vessel, the collection vessel designed such that when fluid is contained therein it acts as a liquid/gas seal to prevent the pressurized gas from exiting through the bottom opening in the lower section of the collection vessel.



INTERNATIONAL SEARCH REPORT

International application No PCT/US2014/010488

A. CLASSIFICATION OF SUBJECT MATTER INV. E21B21/07 E21B43/34 ADD.		
According to International Patent Classification (IPC) or to both national classification and IPC		
B. FIELDS SEARCHED		
Minimum documentation searched (classification system followed by classification symbols) E21B B01D		
Documentation searched other than minimum documentation to the extent that such documents are included in the fields searched		
Electronic data base consulted during the international search (name of data base and, where practicable, search terms used) EPO-Internal, WPI Data		
C. DOCUMENTS CONSIDERED TO BE RELEVANT		
Category*	Citation of document, with indication, where appropriate, of the relevant passages	Relevant to claim No.
X	US 2007/075024 A1 (CAMPBELL BRIAN W [NZ] ET AL) 5 April 2007 (2007-04-05) figures 1-2 paragraphs [0004], [0016] - [0019] -----	1-10, 12-20
X	EP 0 047 347 A1 (CONOCO INC [US]) 17 March 1982 (1982-03-17) figures 1-3 page 3, line 7 - page 5, line 7 -----	1-4,15, 16,20
A	US 8 202 336 B1 (MOE EDWARD BEVERLY [US] ET AL) 19 June 2012 (2012-06-19) figures 1-3 column 1, lines 23-25 column 2, lines 21-28 column 7, line 22 - column 8, line 34 ----- -/--	1-10, 12-20
<input checked="" type="checkbox"/> Further documents are listed in the continuation of Box C. <input checked="" type="checkbox"/> See patent family annex.		
* Special categories of cited documents :		
"A" document defining the general state of the art which is not considered to be of particular relevance "E" earlier application or patent but published on or after the international filing date "L" document which may throw doubts on priority claim(s) or which is cited to establish the publication date of another citation or other special reason (as specified) "O" document referring to an oral disclosure, use, exhibition or other means "P" document published prior to the international filing date but later than the priority date claimed	"T" later document published after the international filing date or priority date and not in conflict with the application but cited to understand the principle or theory underlying the invention "X" document of particular relevance; the claimed invention cannot be considered novel or cannot be considered to involve an inventive step when the document is taken alone "Y" document of particular relevance; the claimed invention cannot be considered to involve an inventive step when the document is combined with one or more other such documents, such combination being obvious to a person skilled in the art "&" document member of the same patent family	
Date of the actual completion of the international search	Date of mailing of the international search report	
29 October 2014	07/11/2014	
Name and mailing address of the ISA/ European Patent Office, P.B. 5818 Patentlaan 2 NL - 2280 HV Rijswijk Tel. (+31-70) 340-2040, Fax: (+31-70) 340-3016	Authorized officer Brassart, P	

INTERNATIONAL SEARCH REPORT

International application No

PCT/US2014/010488

C(Continuation). DOCUMENTS CONSIDERED TO BE RELEVANT		
Category*	Citation of document, with indication, where appropriate, of the relevant passages	Relevant to claim No.
A	US 5 316 029 A (CAMPBELL WILLIS R [US] ET AL) 31 May 1994 (1994-05-31) figure 6 column 7, lines 59-64 -----	5,6
A	US 8 152 911 B1 (WILLIAMS MICHAEL E [US] ET AL) 10 April 2012 (2012-04-10) figures 1-3 column 2 - column 3 -----	8-10
A	WO 2011/085218 A1 (KEY ENERGY SERVICES LLC [US]; THOMPSON BRUCE [US]) 14 July 2011 (2011-07-14) figures 1-2B paragraphs [0020] - [0021] -----	18,19
A	US 6 328 118 B1 (KARIGAN JOSEPH MICHAEL [US] ET AL) 11 December 2001 (2001-12-11) figures 1, 3 column 1, lines 5-8 column 8, lines 13-38 -----	1,20
A	US 2012/012309 A1 (NOLES JR JERRY W [US]) 19 January 2012 (2012-01-19) figure 1 paragraphs [0002], [0013] -----	1,20
A	US 2008/190668 A1 (SWARTOUT MATTHEW K [CA]) 14 August 2008 (2008-08-14) figures 1-3 paragraphs [0001], [0039] - [0040] -----	1,20
A	US 5 928 519 A (HOMAN EDWIN DARYL [CA]) 27 July 1999 (1999-07-27) figures 1-2, 7-8 -----	1,20

INTERNATIONAL SEARCH REPORT

Information on patent family members

International application No

PCT/US2014/010488

Patent document cited in search report	Publication date	Patent family member(s)	Publication date
US 2007075024 A1	05-04-2007	US 2007075024 A1 WO 2007039709 A1	05-04-2007 12-04-2007
EP 0047347 A1	17-03-1982	AU 6196680 A CA 1127626 A1 EP 0047347 A1 US 4247312 A ZA 8005483 A	11-03-1982 13-07-1982 17-03-1982 27-01-1981 30-09-1981
US 8202336 B1	19-06-2012	US 8202336 B1 US 8337577 B1	19-06-2012 25-12-2012
US 5316029 A	31-05-1994	US 5316029 A US 5423340 A US 5611363 A	31-05-1994 13-06-1995 18-03-1997
US 8152911 B1	10-04-2012	NONE	
WO 2011085218 A1	14-07-2011	US 2011215058 A1 WO 2011085218 A1	08-09-2011 14-07-2011
US 6328118 B1	11-12-2001	CA 2300556 A1 GB 2349161 A US 6328118 B1	08-09-2000 25-10-2000 11-12-2001
US 2012012309 A1	19-01-2012	US 2012012309 A1 WO 2012071232 A2	19-01-2012 31-05-2012
US 2008190668 A1	14-08-2008	AR 050825 A1 CA 2565939 A1 US 2008190668 A1 WO 2005119001 A1	29-11-2006 15-12-2005 14-08-2008 15-12-2005
US 5928519 A	27-07-1999	CA 2184511 A1 US 5900137 A US 5928519 A	28-12-1997 04-05-1999 27-07-1999