

April 4, 1939.

J. KUZNIEWICZ ET AL

Des. 114,071

ASHTRAY

Filed Jan. 12, 1939

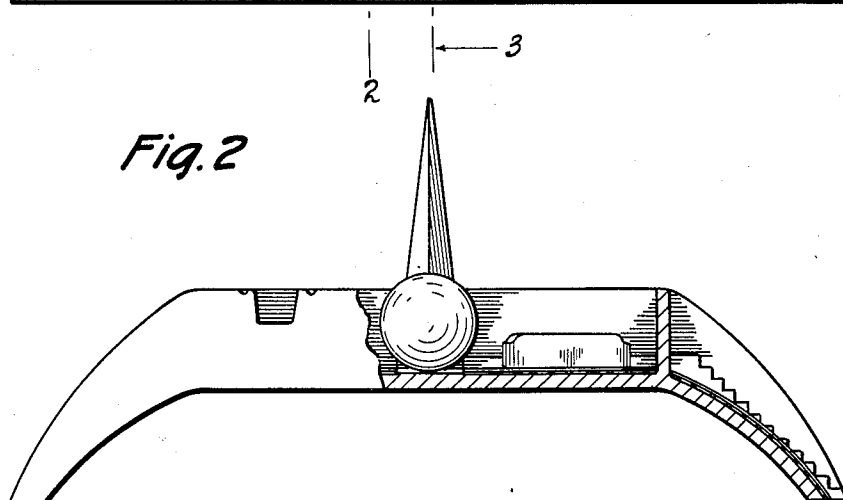
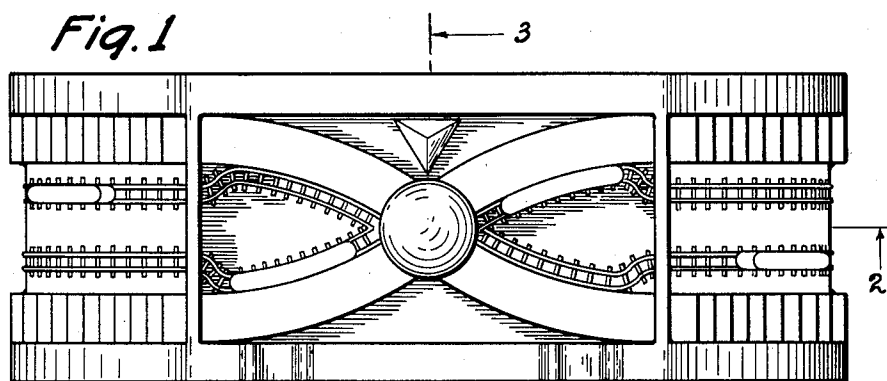
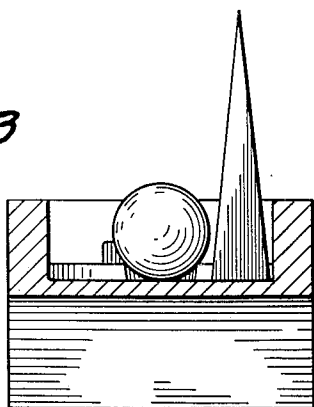


Fig. 3



INVENTOR.
John Kuzniewicz & Walter Kuzniewicz
BY *James Hamilton Powell*
ATTORNEY.

UNITED STATES PATENT OFFICE

114,071

DESIGN FOR AN ASHTRAY

John Kuzniewicz and Walter Kuzniewicz,
New York, N. Y.

Application January 12, 1939, Serial No. 82,305

Term of patent 3½ years

To all whom it may concern:

Be it known that we, John Kuzniewicz and Walter Kuzniewicz, citizens of the United States, residing at New York, in the county of New York and State of New York, have invented a new, original, and ornamental Design for an Ashtray, of which the following is a specification, reference being made to the accompanying drawing, forming part thereof.

Figure 1 is a plan view of the ashtray showing my new design.

Figure 2 is a side elevation with part broken

away showing a section through the central part taken approximately on line 2—2 of Figure 1 with the perisphere shown in elevation.

Figure 3 is a transverse section through the intermediate part of the ashtray taken approximately on line 3—3 of Figure 1 with the perisphere and trylon shown in elevation.

We claim:

The ornamental design for an ashtray, as shown.

JOHN KUZNIEWICZ.
WALTER KUZNIEWICZ.