

(19) World Intellectual Property Organization
International Bureau



(43) International Publication Date
17 November 2005 (17.11.2005)

PCT

(10) International Publication Number
WO 2005/109366 A3

(51) International Patent Classification:
G06F 15/16 (2006.01) *H04L 12/28* (2006.01)

(21) International Application Number:
PCT/US2005/005279

(22) International Filing Date:
18 February 2005 (18.02.2005)

(25) Filing Language: English

(26) Publication Language: English

(30) Priority Data:
10/829,466 21 April 2004 (21.04.2004) US

(71) Applicant (for all designated States except US): **TREND MICRO INCORPORATED** [JP/JP]; Shinjuku MAYNDS Tower 27F, 2-1-1 Yoyogi, Shibuya-Ku, Tokyo 151-0053 (JP).

(72) Inventors; and

(75) Inventors/Applicants (for US only): **CHEN, Yi-Fen** [CN/US]; 965 El Campo Drive, Pasadena, California 91107 (US). **LIANG, Yung-Chang** [CN/US]; 20615 Rodrigues Avenue, Cupertino, California 95014 (US). **LIAO, En-Yi** [CN/US]; 3125 Atherton Drive, Santa Clara, California 95051 (US).

(74) Agents: **BENEDICTO, Patrick D** et al.; Okamoto & Benedicto LLP, P.O. BOX 641330, San Jose, California 95164-1330 (US).

(81) Designated States (unless otherwise indicated, for every kind of national protection available): AE, AG, AL, AM, AT, AU, AZ, BA, BB, BG, BR, BW, BY, BZ, CA, CH, CN, CO, CR, CU, CZ, DE, DK, DM, DZ, EC, EE, EG, ES, FI, GB, GD, GE, GH, GM, HR, HU, ID, IL, IN, IS, JP, KE, KG, KP, KR, KZ, LC, LK, LR, LS, LT, LU, LV, MA, MD, MG, MK, MN, MW, MX, MZ, NA, NI, NO, NZ, OM, PG, PH, PL, PT, RO, RU, SC, SD, SE, SG, SK, SL, SM, SY, TJ, TM, TN, TR, TT, TZ, UA, UG, US, UZ, VC, VN, YU, ZA, ZM, ZW.

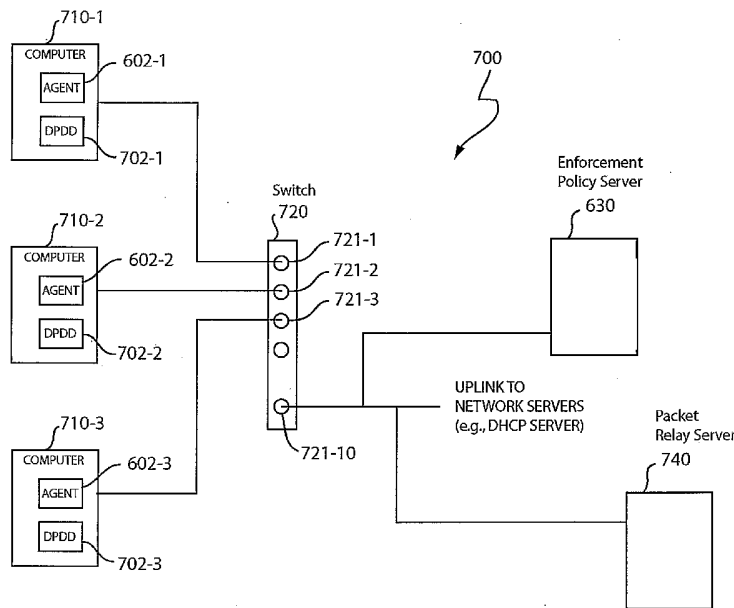
(84) Designated States (unless otherwise indicated, for every kind of regional protection available): ARIPO (BW, GH, GM, KE, LS, MW, MZ, NA, SD, SL, SZ, TZ, UG, ZM, ZW), Eurasian (AM, AZ, BY, KG, KZ, MD, RU, TJ, TM), European (AT, BE, BG, CH, CY, CZ, DE, DK, EE, ES, FI, FR, GB, GR, HU, IE, IS, IT, LT, LU, MC, NL, PL, PT, RO, SE, SI, SK, TR), OAPI (BF, BJ, CF, CG, CI, CM, GA, GN, GQ, GW, ML, MR, NE, SN, TD, TG).

Declarations under Rule 4.17:

— as to applicant's entitlement to apply for and be granted a patent (Rule 4.17(ii))

[Continued on next page]

(54) Title: METHOD AND APPARATUS FOR CONTROLLING TRAFFIC IN A COMPUTER NETWORK



(57) Abstract: In one embodiment, a technique for controlling traffic in a computer network (700) includes modifying a packet generated by a first computer (710). The packet may be intended for a second computer, but is modified to be redirected to a third computer (740). The packet may be processed in the third computer (740) prior to being forwarded from the third computer to the second computer. The packet may be scanned for viruses at the third computer (740), for example. Among other advantages, the technique allows for scanning of early generated packets, redirection of selected packets, and routing of packets from a computer in general.

WO 2005/109366 A3



— *as to the applicant's entitlement to claim the priority of the earlier application (Rule 4.17(iii))*

(88) Date of publication of the international search report:
24 August 2006

Published:

— *with international search report*

— *before the expiration of the time limit for amending the claims and to be republished in the event of receipt of amendments*

For two-letter codes and other abbreviations, refer to the "Guidance Notes on Codes and Abbreviations" appearing at the beginning of each regular issue of the PCT Gazette.

INTERNATIONAL SEARCH REPORT

International application No.

PCT/US05/05279

A. CLASSIFICATION OF SUBJECT MATTER
 IPC: **G06F 15/16**(2006.01);**H04L 12/28**(2006.01)

 USPC: 370/401;709/232,246
 According to International Patent Classification (IPC) or to both national classification and IPC

B. FIELDS SEARCHED
 Minimum documentation searched (classification system followed by classification symbols)
 U.S. : 370/248,401;709/224,232,246

Documentation searched other than minimum documentation to the extent that such documents are included in the fields searched

Electronic data base consulted during the international search (name of data base and, where practicable, search terms used)

C. DOCUMENTS CONSIDERED TO BE RELEVANT

Category *	Citation of document, with indication, where appropriate, of the relevant passages	Relevant to claim No.
X --- Y	US 2002/0178381 A1 (LEE et al.) 28 November 2002 (28.11.2002), Abstract; fig.3; para.37,39	1,2,5,7-9 ----- 4,6,10-13,15-16
Y	US 2003/0055962 A1 (FREUND et al.) 20 March 2003 (20.03.2003), para.9,63, and 150	4,6,10-13,15-16
A	US 6,678,734 B1 (HAATAINEN et al.) 13 January 2004 (13.01.2004), entire document	3,14,17-20
A	US 2003/0021280 A1 (MAKINSON et al.) 30 January 2003 (30.01.2003), entire document	1-20
A	US 2002/0147780 A1 (LIU et al.) 10 October 2002 (10.10.2002), entire document	1-20

Further documents are listed in the continuation of Box C. See patent family annex.

* Special categories of cited documents:	"T"
"A" document defining the general state of the art which is not considered to be of particular relevance	later document published after the international filing date or priority date and not in conflict with the application but cited to understand the principle or theory underlying the invention
"E" earlier application or patent published on or after the international filing date	"X" document of particular relevance; the claimed invention cannot be considered novel or cannot be considered to involve an inventive step when the document is taken alone
"L" document which may throw doubts on priority claim(s) or which is cited to establish the publication date of another citation or other special reason (as specified)	"Y" document of particular relevance; the claimed invention cannot be considered to involve an inventive step when the document is combined with one or more other such documents, such combination being obvious to a person skilled in the art
"O" document referring to an oral disclosure, use, exhibition or other means	"&" document member of the same patent family
"P" document published prior to the international filing date but later than the priority date claimed	

Date of the actual completion of the international search
 13 May 2006 (13.05.2006)

Date of mailing of the international search report
 29 JUN 2006

Name and mailing address of the ISA/US
 Mail Stop PCT, Attn: ISA/US
 Commissioner for Patents
 P.O. Box 1450
 Alexandria, Virginia 22313-1450
 Facsimile No. (571) 273-3201

Authorized officer
 Mohammad Adhami *Kulgenia Zagan*
 Telephone No. (571)272-8615