

(19) World Intellectual Property
Organization
International Bureau



(43) International Publication Date
23 October 2003 (23.10.2003)

PCT

(10) International Publication Number
WO 2003/086946 A3

(51) International Patent Classification⁷: B05B 1/30, 7/30

Kingstowne Estate Court, Wildwood, MO 63011 (US).
STARK, Jeffrey, P.; 14 Winding Stair Way, O'Fallon, MO
63366 (US).

(21) International Application Number:
PCT/US2003/010286

(74) Agent: ROLNICKI, Joseph, M.; Thompson Coburn LLP,
One US Bank Plaza, St. Louis, MO 63101 (US).

(22) International Filing Date: 3 April 2003 (03.04.2003)

(25) Filing Language: English

(81) Designated States (*national*): AE, AG, AL, AM, AT, AU,
AZ, BA, BB, BG, BR, BY, BZ, CA, CH, CN, CO, CR, CU,
CZ, DE, DK, DM, DZ, EC, EE, ES, FI, GB, GD, GE, GH,
GM, HR, HU, ID, IL, IN, IS, JP, KE, KG, KP, KR, KZ, LC,
LK, LR, LS, LT, LU, LV, MA, MD, MG, MK, MN, MW,
MX, MZ, NI, NO, NZ, OM, PH, PL, PT, RO, RU, SC, SD,
SE, SG, SK, SL, TJ, TM, TN, TR, TT, TZ, UA, UG, UZ,
VC, VN, YU, ZA, ZM, ZW.

(26) Publication Language: English

(30) Priority Data:
10/119,451 10 April 2002 (10.04.2002) US

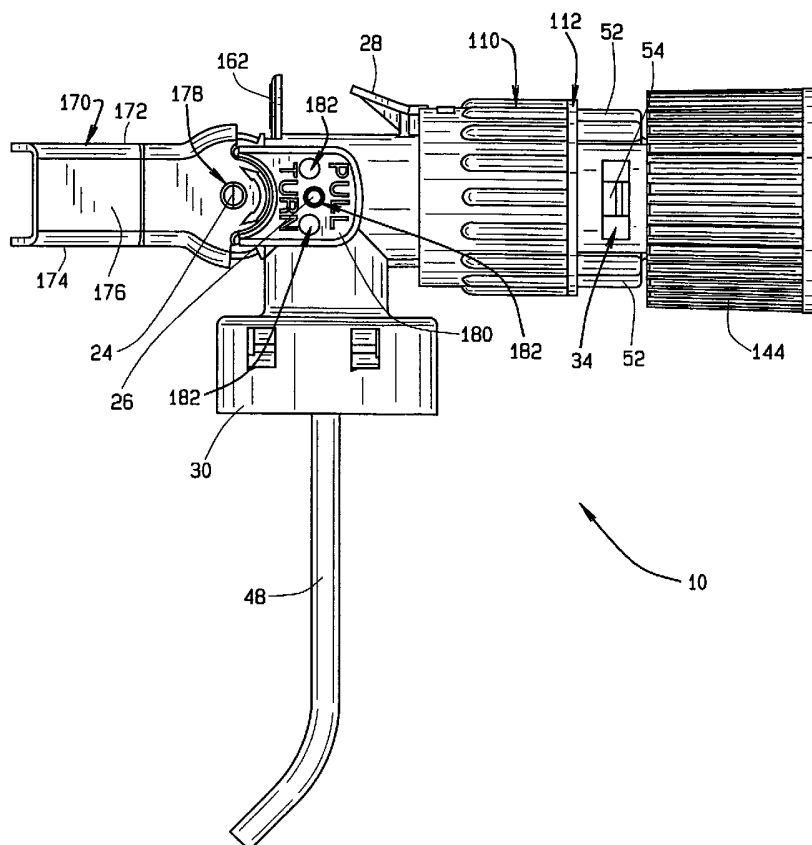
(71) Applicant: CONTINENTAL AFA DISPENSING
COMPANY [US/US]; 27 Guenther Boulevard, St. Peters,
MO 63376 (US).

(84) Designated States (*regional*): ARIPO patent (GH, GM,
KE, LS, MW, MZ, SD, SL, SZ, TZ, UG, ZM, ZW),
Eurasian patent (AM, AZ, BY, KG, KZ, MD, RU, TJ, TM),
European patent (AT, BE, BG, CH, CY, CZ, DE, DK, EE,
ES, FI, FR, GB, GR, HU, IE, IT, LU, MC, NL, PT, RO,

(72) Inventors: FOSTER, Donald, D.; 14 Upper Dardenne,
St. Charles, MO 63304 (US). NELSON, Philip, L.; 9

[Continued on next page]

(54) Title: ADJUSTABLE HOSE END SPRAYER NOZZLE



(57) Abstract: An adjustable nozzle is attachable to the end of a garden hose and is also attachable to a separate product container, for example, a bottle containing a garden fertilizer or a bottle containing a cleaning soap concentrate. The adjustable nozzle receives a flow of water from the garden hose and dispenses a product from the container attached to the nozzle. The nozzle has a simplified construction with a reduced number of component parts and the operation of the nozzle is simplified yet enables a user to selectively discharge a flow of water or a mixture of water and product from the nozzle, to control the ratio of water to product when the nozzle is employed in dispensing the mixture of water and product, and to direct the discharge as a stream or disperse the discharge in an upwardly or downwardly directed fanned spray pattern.

WO 2003/086946 A3



SE, SI, SK, TR), OAPI patent (BF, BJ, CF, CG, CI, CM, GA, GN, GQ, GW, ML, MR, NE, SN, TD, TG).

For two-letter codes and other abbreviations, refer to the "Guidance Notes on Codes and Abbreviations" appearing at the beginning of each regular issue of the PCT Gazette.

Published:

- *with international search report*
- *before the expiration of the time limit for amending the claims and to be republished in the event of receipt of amendments*

(88) Date of publication of the international search report:

10 June 2004

INTERNATIONAL SEARCH REPORT

International application No.
PCT/US03/10286

A. CLASSIFICATION OF SUBJECT MATTER IPC(7) : B05B 1/30, 7/30 US CL : 239/581.2, 310, 318, 569, 581.1 According to International Patent Classification (IPC) or to both national classification and IPC																
B. FIELDS SEARCHED Minimum documentation searched (classification system followed by classification symbols) U.S. : 239/581.2, 310, 318, 569, 581.1 Documentation searched other than minimum documentation to the extent that such documents are included in the fields searched Electronic data base consulted during the international search (name of data base and, where practicable, search terms used)																
C. DOCUMENTS CONSIDERED TO BE RELEVANT <table border="1" style="width: 100%; border-collapse: collapse; margin-top: 5px;"> <thead> <tr> <th style="width: 10%;">Category *</th> <th style="width: 70%;">Citation of document, with indication, where appropriate, of the relevant passages</th> <th style="width: 20%;">Relevant to claim No.</th> </tr> </thead> <tbody> <tr> <td style="text-align: center;">A, P</td> <td>US 6,425,534 B2(KETCHAM et al) 30 July 2002 (30.07.2002), see entire document.</td> <td style="text-align: center;">1-33</td> </tr> <tr> <td style="text-align: center;">A, P</td> <td>US 6,378,785 B1 (DODD) 30 April 2002 (30.04.2002), see entire document.</td> <td style="text-align: center;">1-33</td> </tr> <tr> <td style="text-align: center;">A</td> <td>US 5,954,272 A (LIAO) 21 September 1999 (21.09.1999), see entire document.</td> <td style="text-align: center;">1-33</td> </tr> <tr> <td style="text-align: center;">A</td> <td>US 4,369,921 A (BEISWENGER et al) 25 January 1983 (25.01.1983), see entire document.</td> <td style="text-align: center;">1-33</td> </tr> </tbody> </table>		Category *	Citation of document, with indication, where appropriate, of the relevant passages	Relevant to claim No.	A, P	US 6,425,534 B2(KETCHAM et al) 30 July 2002 (30.07.2002), see entire document.	1-33	A, P	US 6,378,785 B1 (DODD) 30 April 2002 (30.04.2002), see entire document.	1-33	A	US 5,954,272 A (LIAO) 21 September 1999 (21.09.1999), see entire document.	1-33	A	US 4,369,921 A (BEISWENGER et al) 25 January 1983 (25.01.1983), see entire document.	1-33
Category *	Citation of document, with indication, where appropriate, of the relevant passages	Relevant to claim No.														
A, P	US 6,425,534 B2(KETCHAM et al) 30 July 2002 (30.07.2002), see entire document.	1-33														
A, P	US 6,378,785 B1 (DODD) 30 April 2002 (30.04.2002), see entire document.	1-33														
A	US 5,954,272 A (LIAO) 21 September 1999 (21.09.1999), see entire document.	1-33														
A	US 4,369,921 A (BEISWENGER et al) 25 January 1983 (25.01.1983), see entire document.	1-33														
<input type="checkbox"/> Further documents are listed in the continuation of Box C. <input type="checkbox"/> See patent family annex.																
<table style="width: 100%; border-collapse: collapse;"> <tr> <td style="width: 50%; vertical-align: top;"> * Special categories of cited documents: "A" document defining the general state of the art which is not considered to be of particular relevance "E" earlier application or patent published on or after the international filing date "L" document which may throw doubts on priority claim(s) or which is cited to establish the publication date of another citation or other special reason (as specified) "O" document referring to an oral disclosure, use, exhibition or other means "P" document published prior to the international filing date but later than the priority date claimed </td> <td style="width: 50%; vertical-align: top;"> "T" later document published after the international filing date or priority date and not in conflict with the application but cited to understand the principle or theory underlying the invention "X" document of particular relevance; the claimed invention cannot be considered novel or cannot be considered to involve an inventive step when the document is taken alone "Y" document of particular relevance; the claimed invention cannot be considered to involve an inventive step when the document is combined with one or more other such documents, such combination being obvious to a person skilled in the art "&" document member of the same patent family </td> </tr> </table>		* Special categories of cited documents: "A" document defining the general state of the art which is not considered to be of particular relevance "E" earlier application or patent published on or after the international filing date "L" document which may throw doubts on priority claim(s) or which is cited to establish the publication date of another citation or other special reason (as specified) "O" document referring to an oral disclosure, use, exhibition or other means "P" document published prior to the international filing date but later than the priority date claimed	"T" later document published after the international filing date or priority date and not in conflict with the application but cited to understand the principle or theory underlying the invention "X" document of particular relevance; the claimed invention cannot be considered novel or cannot be considered to involve an inventive step when the document is taken alone "Y" document of particular relevance; the claimed invention cannot be considered to involve an inventive step when the document is combined with one or more other such documents, such combination being obvious to a person skilled in the art "&" document member of the same patent family													
* Special categories of cited documents: "A" document defining the general state of the art which is not considered to be of particular relevance "E" earlier application or patent published on or after the international filing date "L" document which may throw doubts on priority claim(s) or which is cited to establish the publication date of another citation or other special reason (as specified) "O" document referring to an oral disclosure, use, exhibition or other means "P" document published prior to the international filing date but later than the priority date claimed	"T" later document published after the international filing date or priority date and not in conflict with the application but cited to understand the principle or theory underlying the invention "X" document of particular relevance; the claimed invention cannot be considered novel or cannot be considered to involve an inventive step when the document is taken alone "Y" document of particular relevance; the claimed invention cannot be considered to involve an inventive step when the document is combined with one or more other such documents, such combination being obvious to a person skilled in the art "&" document member of the same patent family															
Date of the actual completion of the international search 05 April 2004 (05.04.2004)	Date of mailing of the international search report <div style="text-align: right; font-weight: bold; font-size: 1.2em;">28 APR 2004</div>															
Name and mailing address of the ISA/US Mail Stop PCT, Attn: ISA/US Commissioner for Patents P.O. Box 1450 Alexandria, Virginia 22313-1450 Facsimile No. (703)305-3230	Authorized officer Robin O. Evans Telephone No. (703) 308-0861															