



US00D735666S

(12) **United States Design Patent**
Tehranchi et al.

(10) **Patent No.:** **US D735,666 S**

(45) **Date of Patent:** **** Aug. 4, 2015**

(54) **GATE OPERATOR HOUSING**

(71) Applicant: **VIKING ACCESS SYSTEMS, LLC,**
IRVINE, CA (US)

(72) Inventors: **Ali Tehranchi,** Irvine, CA (US); **Daniel Perez,** Irvine, CA (US); **Hassan Taheri,** Irvine, CA (US)

(73) Assignee: **Viking Access Systems, LLC,** Irvine, CA (US)

(**) Term: **14 Years**

(21) Appl. No.: **29/471,576**

(22) Filed: **Nov. 1, 2013**

(51) **LOC (10) Cl.** **13-01**

(52) **U.S. Cl.**

USPC **D13/122; D15/143**

(58) **Field of Classification Search**

USPC D13/101, 110, 118, 122, 158, 184;
D15/143, 148, 149; 49/139, 324, 339;
310/20, 20.8, 80; 74/89.15, 90.15,
74/490.09, 411.5

CPC H02K 7/06; H02K 7/11; Y10T 74/20354;
Y10T 74/18704; Y10T 74/19637; E05B
81/25; F16H 25/20

See application file for complete search history.

(56) **References Cited**

U.S. PATENT DOCUMENTS

6,100,609 A * 8/2000 Weber 310/12.32
6,336,294 B1 * 1/2002 Kowalczyk et al. 49/339
D457,135 S * 5/2002 Fong et al. D13/110
D473,574 S * 4/2003 Mullet et al. D15/199
D474,215 S * 5/2003 Mullet et al. D15/199

D502,477 S * 3/2005 Beadle et al. D15/148
D514,146 S * 1/2006 Haneball D15/143
7,000,353 B2 * 2/2006 Bosio 49/139
D522,546 S * 6/2006 Beadle et al. D15/148
D557,211 S * 12/2007 Marchetto et al. D13/112
D577,753 S * 9/2008 Lund et al. D15/143
D589,991 S * 4/2009 Chen D15/143
D594,487 S * 6/2009 Lund et al. D15/143
D614,144 S * 4/2010 Arosio D13/166
D624,101 S * 9/2010 Tseng D15/143
D624,102 S * 9/2010 Tseng D15/143
D630,492 S 1/2011 Faulkner
D664,169 S * 7/2012 Shirai et al. D15/143
D686,257 S * 7/2013 Wu D15/143
D722,628 S * 2/2015 Kobayashi et al. D15/143

* cited by examiner

Primary Examiner — Derrick Holland

Assistant Examiner — Jennifer O King

(74) *Attorney, Agent, or Firm* — Jafari Law Group, Inc.;
David V. Jafari

(57) **CLAIM**

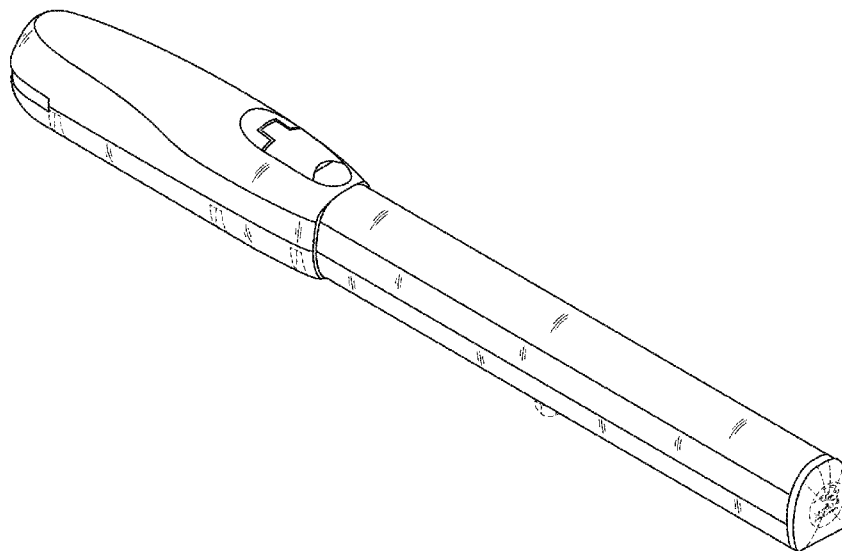
The ornamental design for a gate operator housing, as shown and described.

DESCRIPTION

FIG. 1 illustrates a perspective view of a gate operator housing;
FIG. 2 illustrates a right-side view thereof;
FIG. 3 illustrates a left-side view thereof;
FIG. 4 illustrates a top view thereof;
FIG. 5 illustrates a bottom view thereof;
FIG. 6 illustrates a front view thereof; and,
FIG. 7 illustrates a rear view thereof.

The broken lines shown represent unclaimed subject matter and form no part of the claimed design.

1 Claim, 3 Drawing Sheets



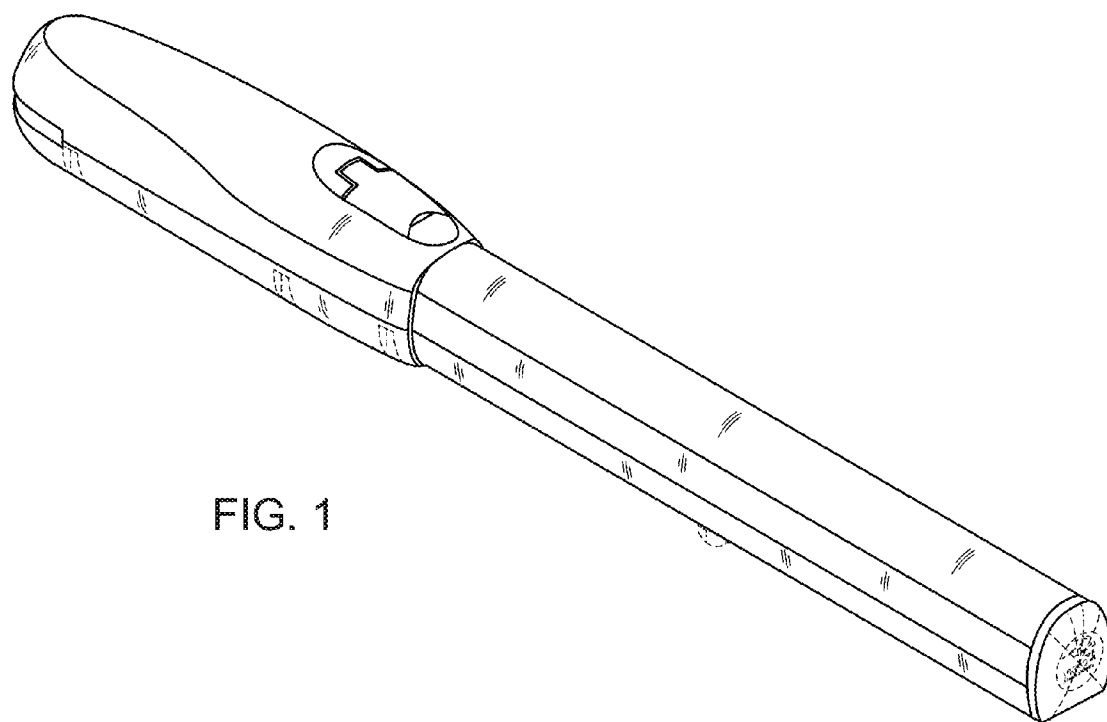


FIG. 1

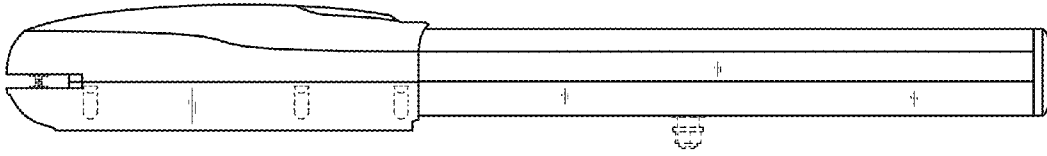


FIG. 2

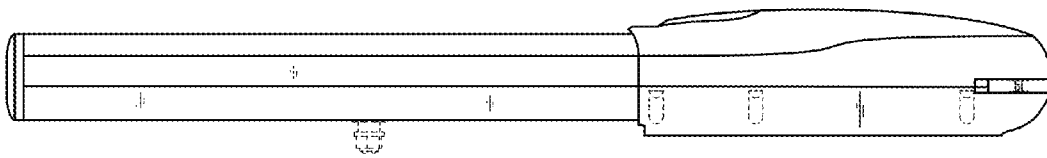


FIG. 3

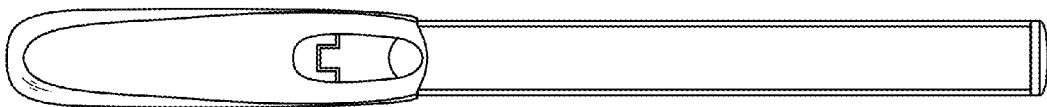


FIG. 4

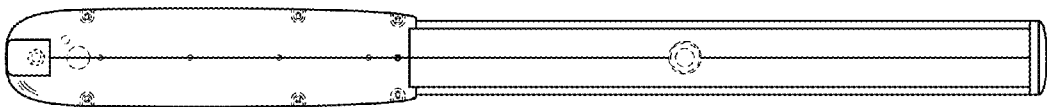


FIG. 5

FIG. 6

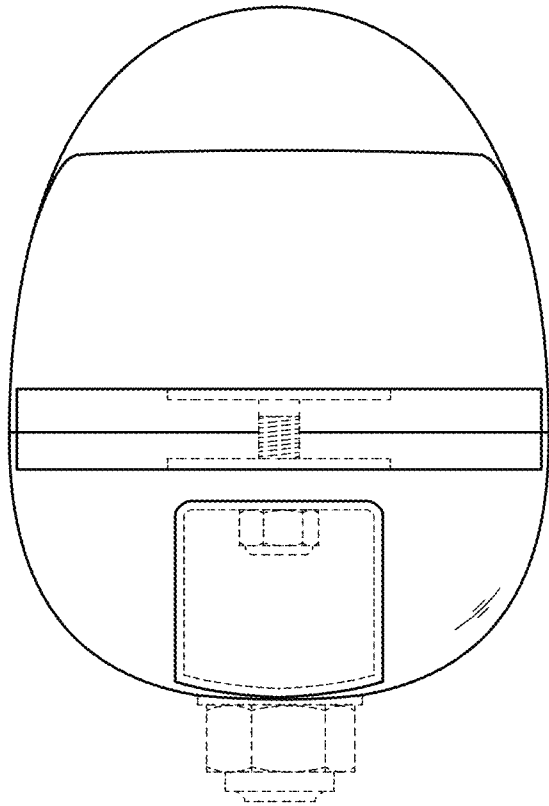
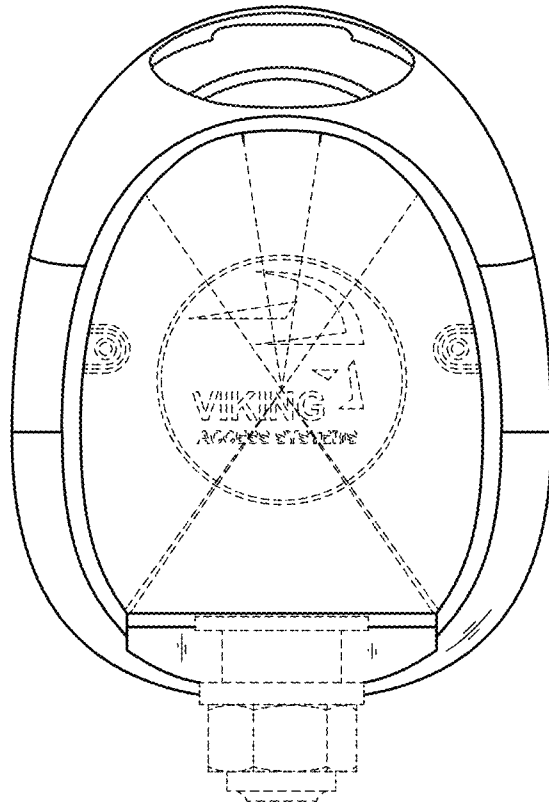


FIG. 7