



US00D797149S

(12) **United States Design Patent**  
**Beck et al.**

(10) **Patent No.:** **US D797,149 S**

(45) **Date of Patent:** **\*\* \*Sep. 12, 2017**

(54) **MEDIA STREAMING DEVICE**  
(71) Applicant: **GOOGLE INC.**, Mountain View, CA (US)  
(72) Inventors: **Kristen Beck**, San Mateo, CA (US);  
**Michael Jon Sundermeyer**, Palo Alto, CA (US); **Micah Thomas Collins**, Mountain View, CA (US)

D502,154 S \* 2/2005 Peng ..... D14/126  
D527,017 S \* 8/2006 Kim ..... D14/203.6  
D531,159 S \* 10/2006 Park ..... D14/203.3  
D533,187 S 12/2006 Lee  
7,277,272 B2 \* 10/2007 Hsiung ..... G11B 17/051  
361/679.01  
D578,546 S 10/2008 Fullerton  
7,525,289 B2 \* 4/2009 Janik ..... G06F 17/30749  
320/132  
7,533,367 B2 \* 5/2009 Balsiger ..... G06F 9/4443  
715/273

(73) Assignee: **Google Inc.**, Mountain View, CA (US)

(Continued)

(\* ) Notice: This patent is subject to a terminal disclaimer.

**OTHER PUBLICATIONS**

(\*\*) Term: **15 Years**

Notice of Allowance from U.S. Appl. No. 29/539,940, dated Aug. 10, 2016, 8 pages.

(21) Appl. No.: **29/539,937**

(Continued)

(22) Filed: **Sep. 18, 2015**

*Primary Examiner* — Prabhakar Deshmukh

(51) **LOC (10) Cl.** ..... **14-03**

(74) *Attorney, Agent, or Firm* — Brake Hughes Bellermann LLP

(52) **U.S. Cl.** ..... **D14/496**; D14/203.6  
USPC .....

(58) **Field of Classification Search**  
USPC ..... D14/432, 434, 447, 357, 299, 496,  
D14/203.1–203.8, 149, 155, 157, 188,  
D14/209.1, 217; D21/324, 328, 332, 333;  
361/600, 679–686; 320/114, 115;  
345/156–161, 905, 901; 439/529, 534,  
439/929; 455/556.2, 557;  
348/14.01–14.1, 211.12, 211.13;  
386/235, 200, 239; 715/751, 753;  
725/143, 151, 153, 135; 709/204, 211,  
709/217  
CPC .... G06F 1/16; G06F 5/00; G06F 3/00; H04N  
5/225; H04N 5/40; G05F 3/048  
See application file for complete search history.

(57) **CLAIM**

The ornamental design for a media streaming device, as shown and described.

**DESCRIPTION**

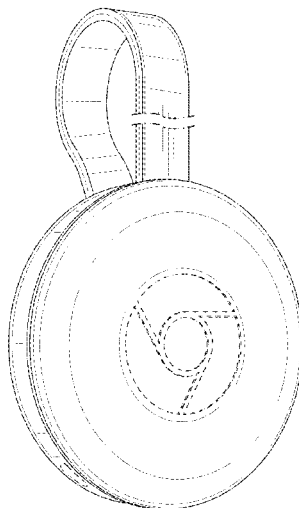
FIG. 1 is a perspective view of a media streaming device showing our new design;  
FIG. 2 is front elevational view thereof;  
FIG. 3 is a rear elevational view thereof;  
FIG. 4 is a left side elevational view thereof;  
FIG. 5 is a right side elevational view thereof;  
FIG. 6 is a top plan view thereof; and,  
FIG. 7 is a bottom plan view thereof.  
The broken lines illustrate unclaimed portions and form no part of the claimed design. The break lines indicate undetermined length of the strap. The portion between the break lines forms no part of the claimed design.

(56) **References Cited**

**U.S. PATENT DOCUMENTS**

6,591,085 B1 7/2003 Grady  
D487,887 S \* 3/2004 Hutchinson ..... D14/508

**1 Claim, 7 Drawing Sheets**



(56)

**References Cited**

## U.S. PATENT DOCUMENTS

7,733,393	B2 *	6/2010	Yoshida .....	H04N 5/3595
				348/245
D631,893	S	2/2011	Ward et al.	
D647,917	S *	11/2011	Voorhees .....	D14/203.3
D710,386	S	8/2014	Aglassinger	
9,015,334	B2 *	4/2015	Harris .....	G06Q 30/02
				709/231
9,112,849	B1	8/2015	Werkelin Ahlin et al.	
9,131,260	B2	9/2015	Klarke et al.	
9,252,950	B2	2/2016	Caspi	
9,271,033	B2	2/2016	Arling et al.	
9,276,967	B2 *	3/2016	Casey .....	H04N 21/2662
9,286,854	B2 *	3/2016	Klarke .....	H04N 21/6125
D754,126	S *	4/2016	Xiong .....	D14/341

## OTHER PUBLICATIONS

Notice of Allowance from U.S. Appl. No. 29/539,942, dated Aug. 18, 2016, 8 Pages.

Non Final Office Action from U.S. Appl. No. 29/539,944, dated Aug. 4, 2016, 5 pages.

Notice of Allowance from U.S. Appl. No. 29/539,945, dated Aug. 5, 2016, 8 pages.

Notice of Allowance from U.S. Appl. No. 29/539,947, dated Sep. 2, 2016, 9 pages.

Non Final Office Action from U.S. Appl. No. 29/539,949, dated Aug. 3, 2016, 6 pages.

First Examiner Report from IN281611, dated Jul. 4, 2016, 2 pages.

First Examiner Report from IN281612, dated Jul. 4, 2016, 2 pages.

First Examiner Report from IN281613, dated Jul. 4, 2016, 2 pages.

First Examiner Report from IN281614, dated Jul. 13, 2016, 2 pages.

\* cited by examiner

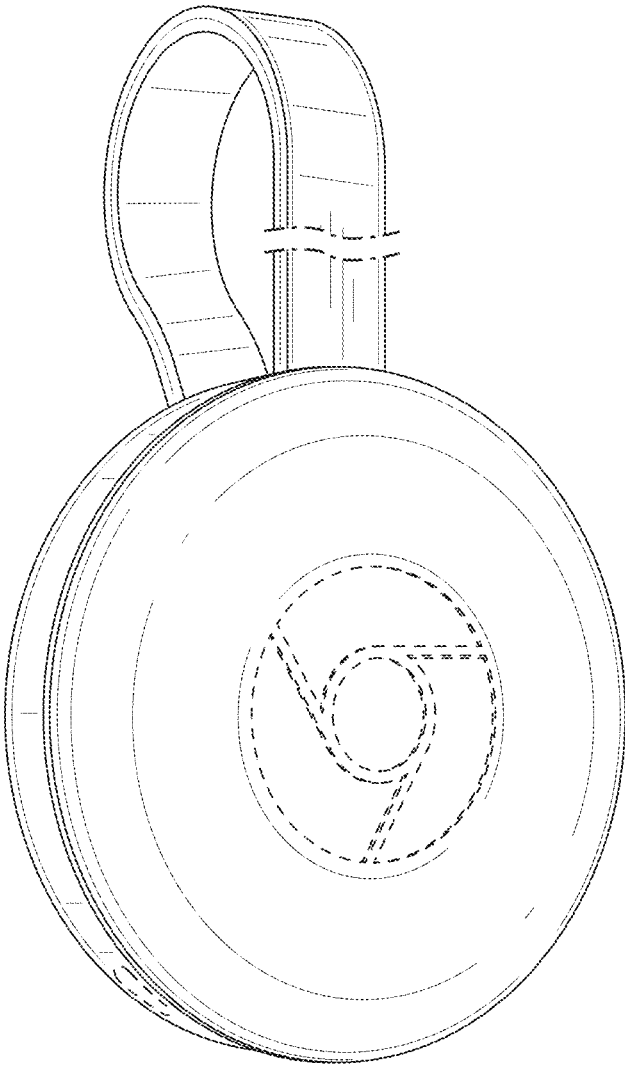


FIG. 1

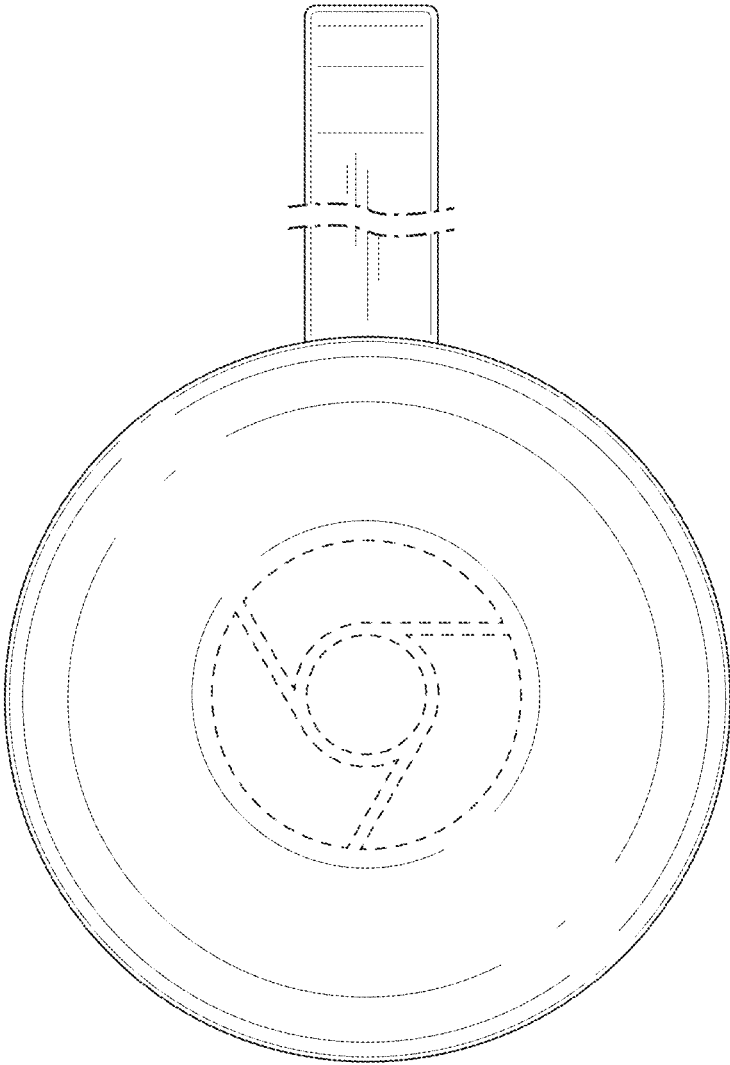


FIG. 2

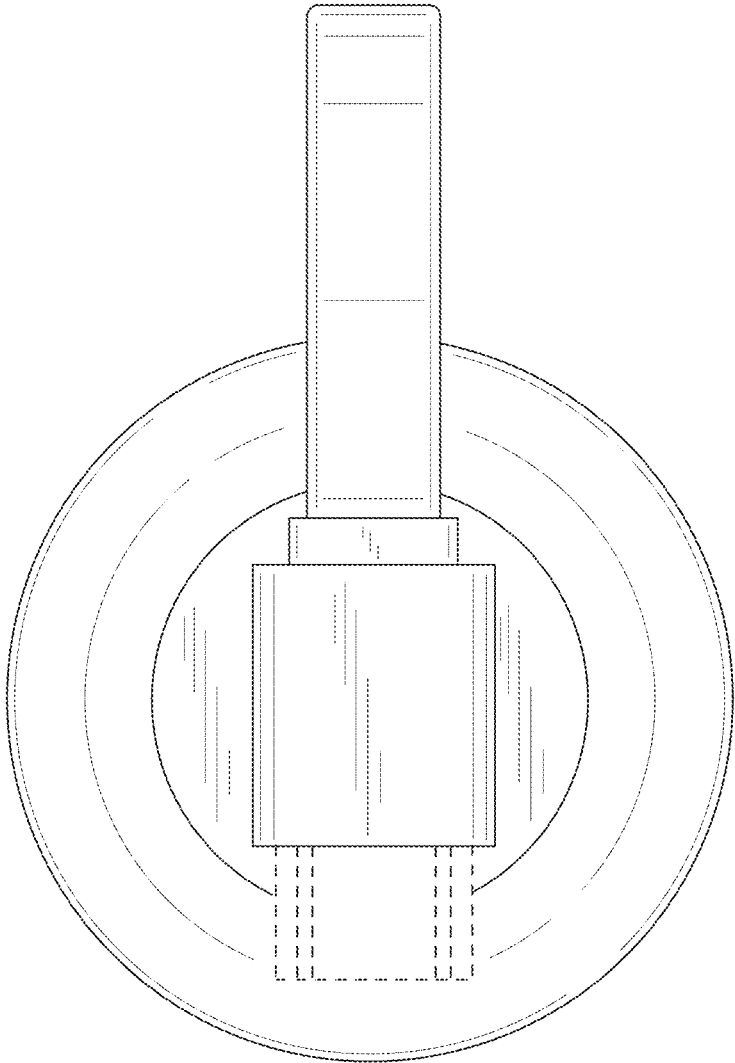


FIG. 3

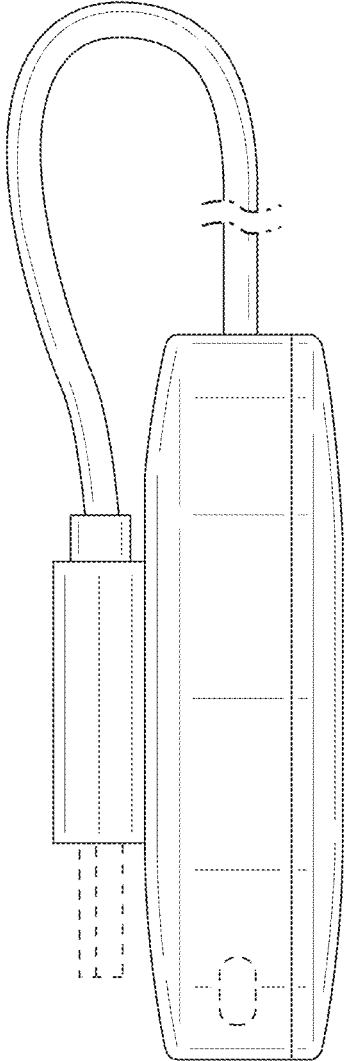


FIG. 4

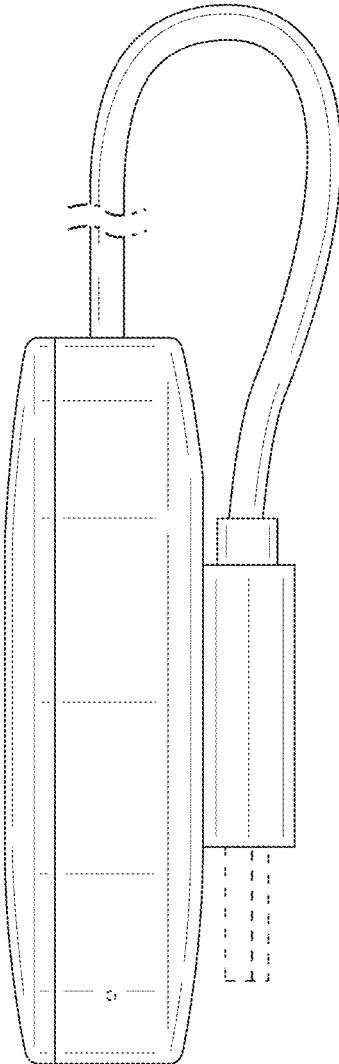


FIG. 5

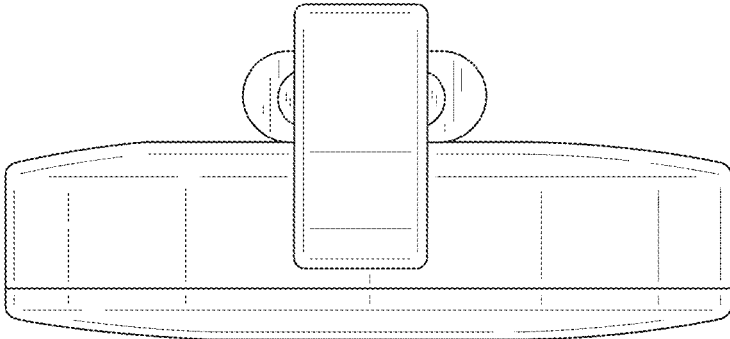


FIG. 6

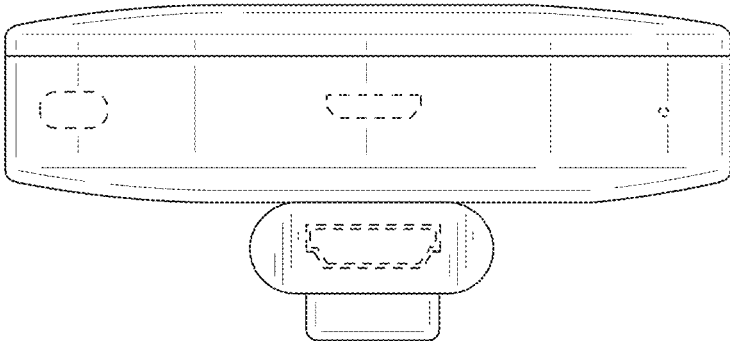


FIG. 7